



US00D726780S

(12) **United States Design Patent**
Saari et al.

(10) **Patent No.:** **US D726,780 S**
(45) **Date of Patent:** **** Apr. 14, 2015**

(54) **BORING MACHINE**

(71) Applicant: **Sandvik Mining and Construction Oy,**
Tampere (FI)

(72) Inventors: **Jaakko Saari,** Tampere (FI); **Kari**
Juujarvi, Tampere (FI); **Kari**
Lappalainen, Tampere (FI)

(73) Assignee: **Sandvik Mining and Construction Oy,**
Tampere (FI)

(**) Term: **14 Years**

(21) Appl. No.: **29/504,903**

(22) Filed: **Oct. 10, 2014**

(30) **Foreign Application Priority Data**

Apr. 11, 2014 (EM) 2445379-0002

(51) **LOC (10) Cl.** **15-03**

(52) **U.S. Cl.**
USPC **D15/33; D15/21**

(58) **Field of Classification Search**
USPC D15/21-26, 28, 33, 30, 132; 173/189,
173/9.5, 9.52; 180/9.1-9.44, 9.54, 9.62, 41,
180/6.48, 9.6; 73/152.54, 152.46
See application file for complete search history.

(56) **References Cited**

U.S. PATENT DOCUMENTS

3,322,206	A *	5/1967	Gernhardt	173/28
D226,262	S *	2/1973	Trueblood	D15/21
D234,794	S *	4/1975	Kennicutt et al.	D15/21
D244,190	S *	5/1977	Swartz et al.	D15/21
4,181,182	A *	1/1980	Gustafsson	173/189
4,303,130	A *	12/1981	Bonca	173/189
D267,719	S *	1/1983	Case	D15/21
4,371,041	A *	2/1983	Becker et al.	173/28

D272,071	S *	1/1984	Baconet et al.	D15/30
4,449,592	A *	5/1984	Mayer	175/52
D287,499	S *	12/1986	Takamatsu et al.	D15/30
5,222,564	A *	6/1993	Bonca	173/189
5,263,545	A *	11/1993	Tudora et al.	175/52
5,806,616	A *	9/1998	Enlund et al.	180/9.52
5,810,101	A *	9/1998	Caraway et al.	175/78
5,844,133	A *	12/1998	Goto et al.	73/152.54
5,941,324	A *	8/1999	Bennett	175/85
D413,907	S *	9/1999	Suzaki et al.	D15/132
6,257,349	B1 *	7/2001	Bardwell	173/28
6,298,927	B1 *	10/2001	Back	175/52
D453,023	S *	1/2002	Kaneko et al.	D15/21
D477,332	S *	7/2003	Bennett	D15/21
D490,444	S *	5/2004	Kuwae	D15/33
D506,483	S *	6/2005	Saari	D15/132
D552,131	S *	10/2007	Matsubara et al.	D15/33
7,537,424	B2 *	5/2009	Innes et al.	414/22.62
8,061,435	B2 *	11/2011	Gunnarson	173/1
8,631,898	B2 *	1/2014	Luoma	181/200

* cited by examiner

Primary Examiner — Mark Goodwin

(74) *Attorney, Agent, or Firm* — Jacobson Holman, PLLC.

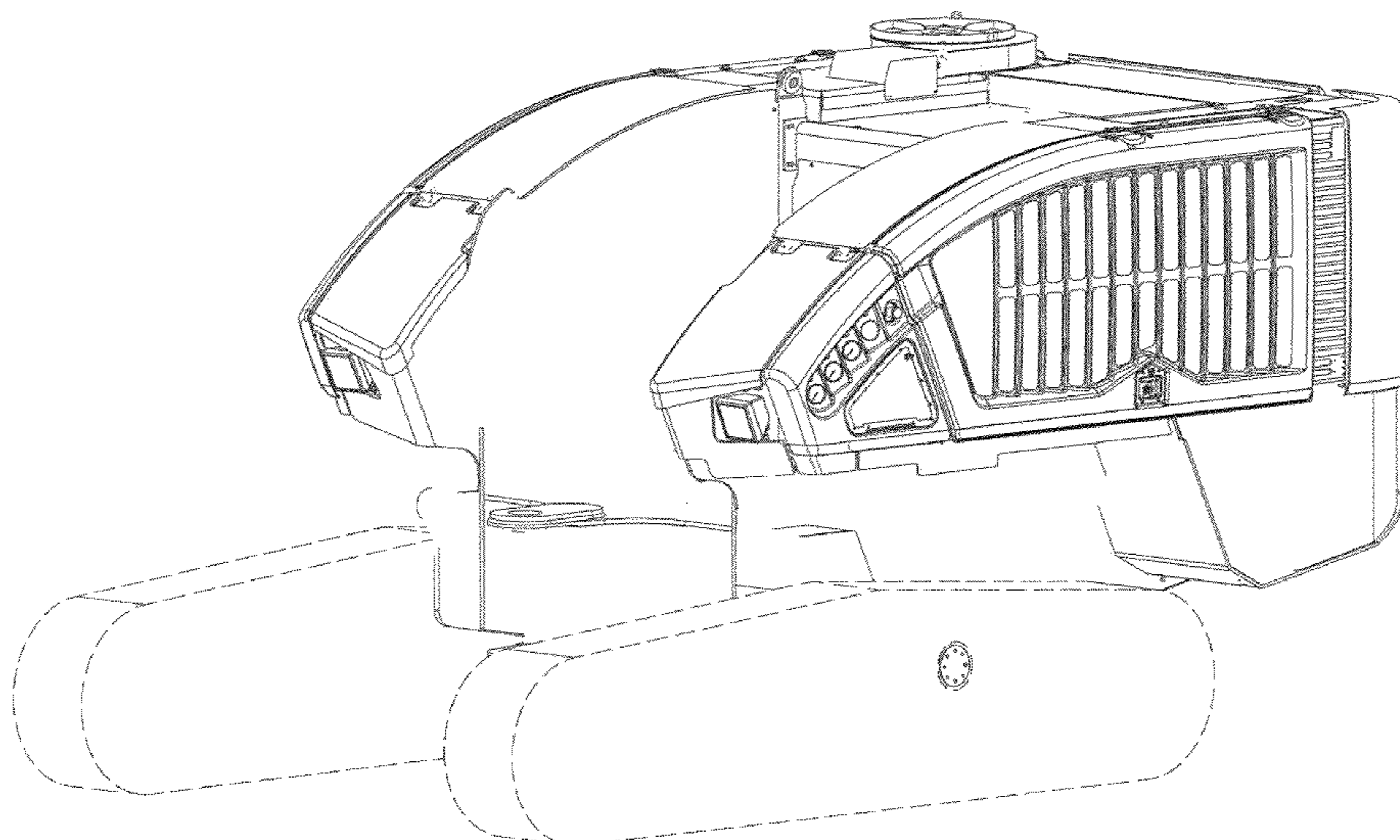
(57) **CLAIM**

We claim the ornamental design for the boring machine, as shown and described.

DESCRIPTION

FIG. 1 is a front perspective view of the boring machine embodying our design;
FIG. 2 is a rear perspective view of FIG. 1;
FIG. 3 is a front elevational view of FIG. 1;
FIG. 4 is a rear elevational view of FIG. 1;
FIG. 5 is a left side elevational view of FIG. 1;
FIG. 6 is a right side elevational view of FIG. 1; and,
FIG. 7 is a top plan view of FIG. 1.
The broken lines in the drawing illustrate portions of the boring machine that form no part of the claimed design.

1 Claim, 7 Drawing Sheets



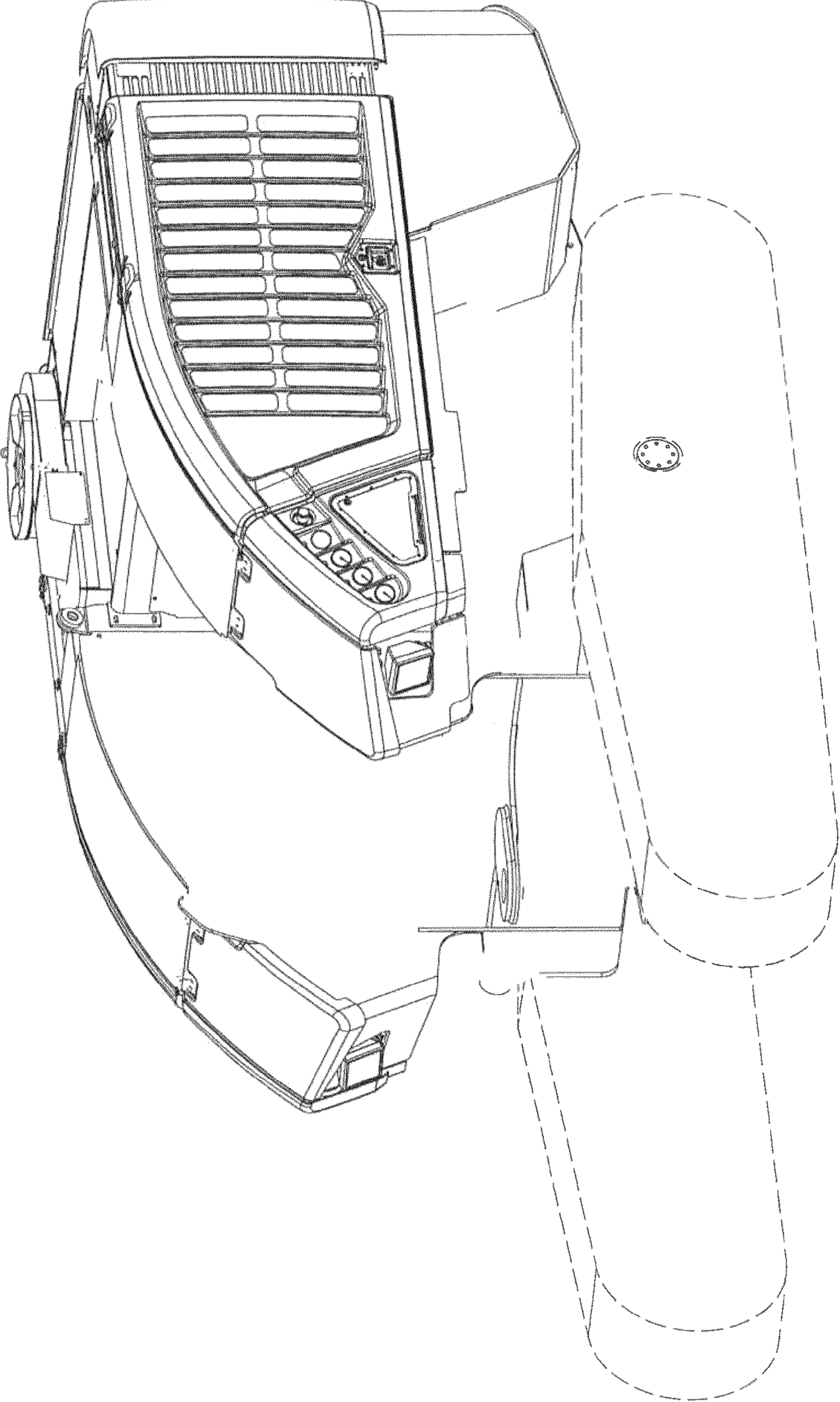


FIG. 1

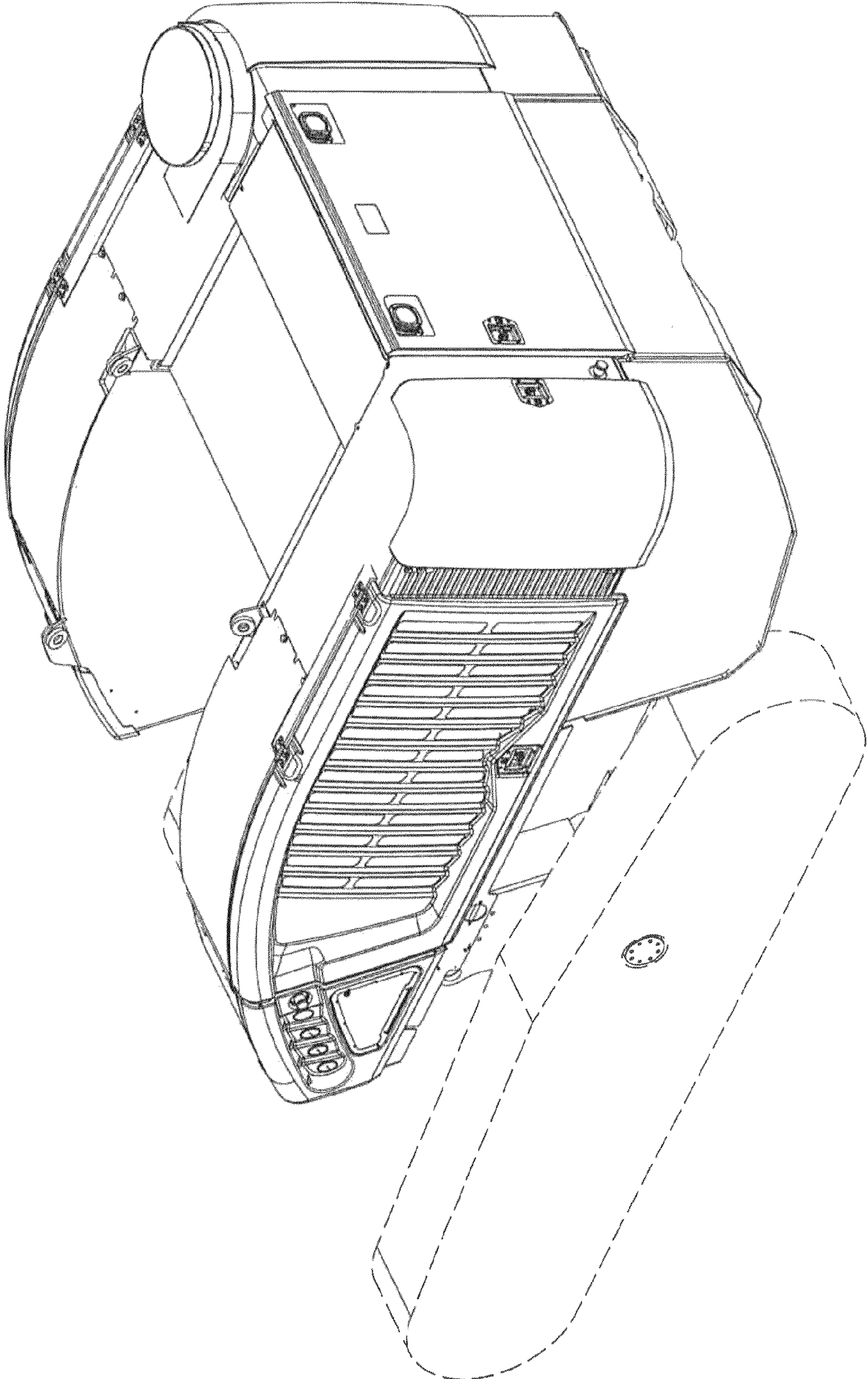


FIG. 2

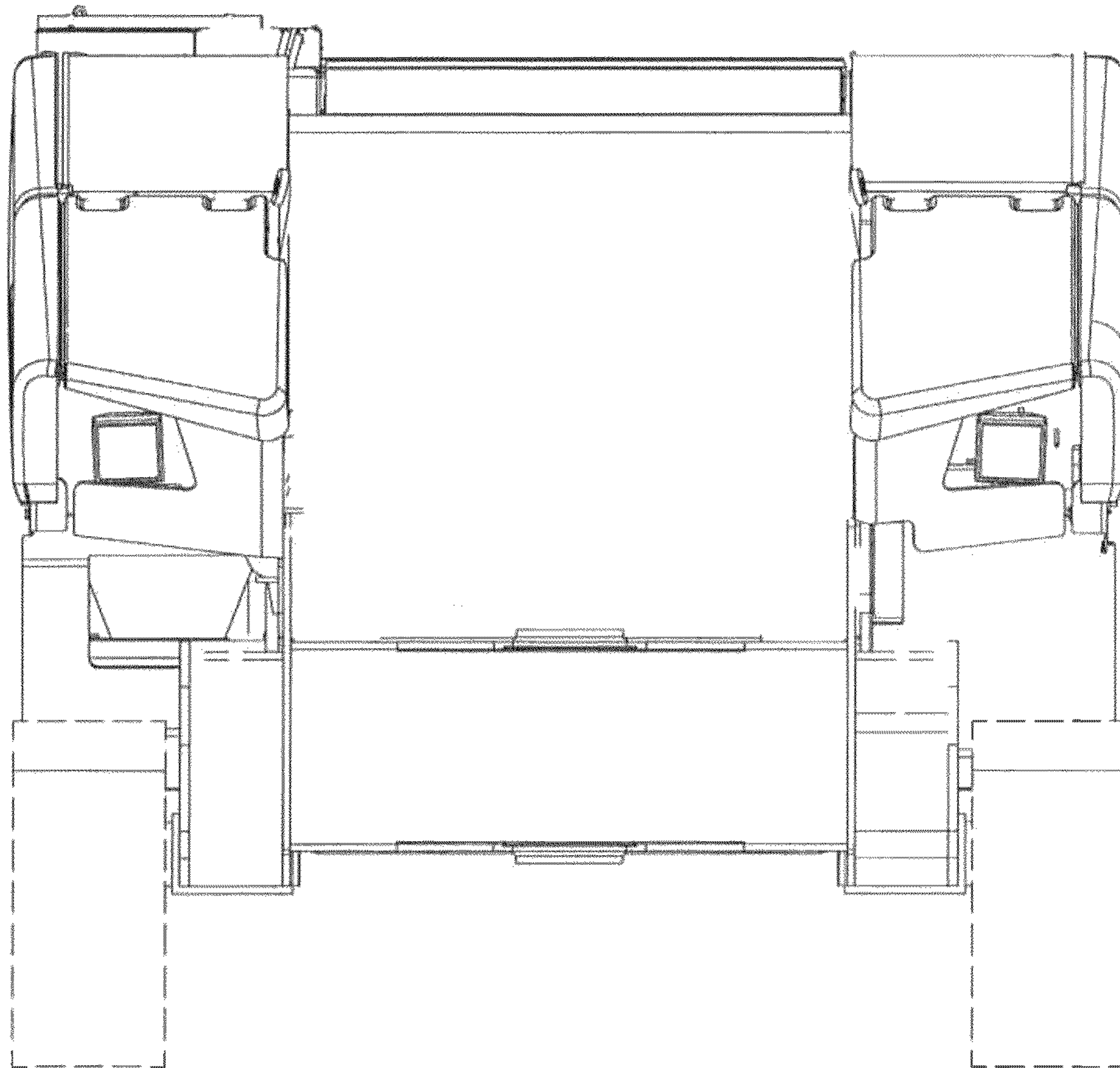


FIG. 3

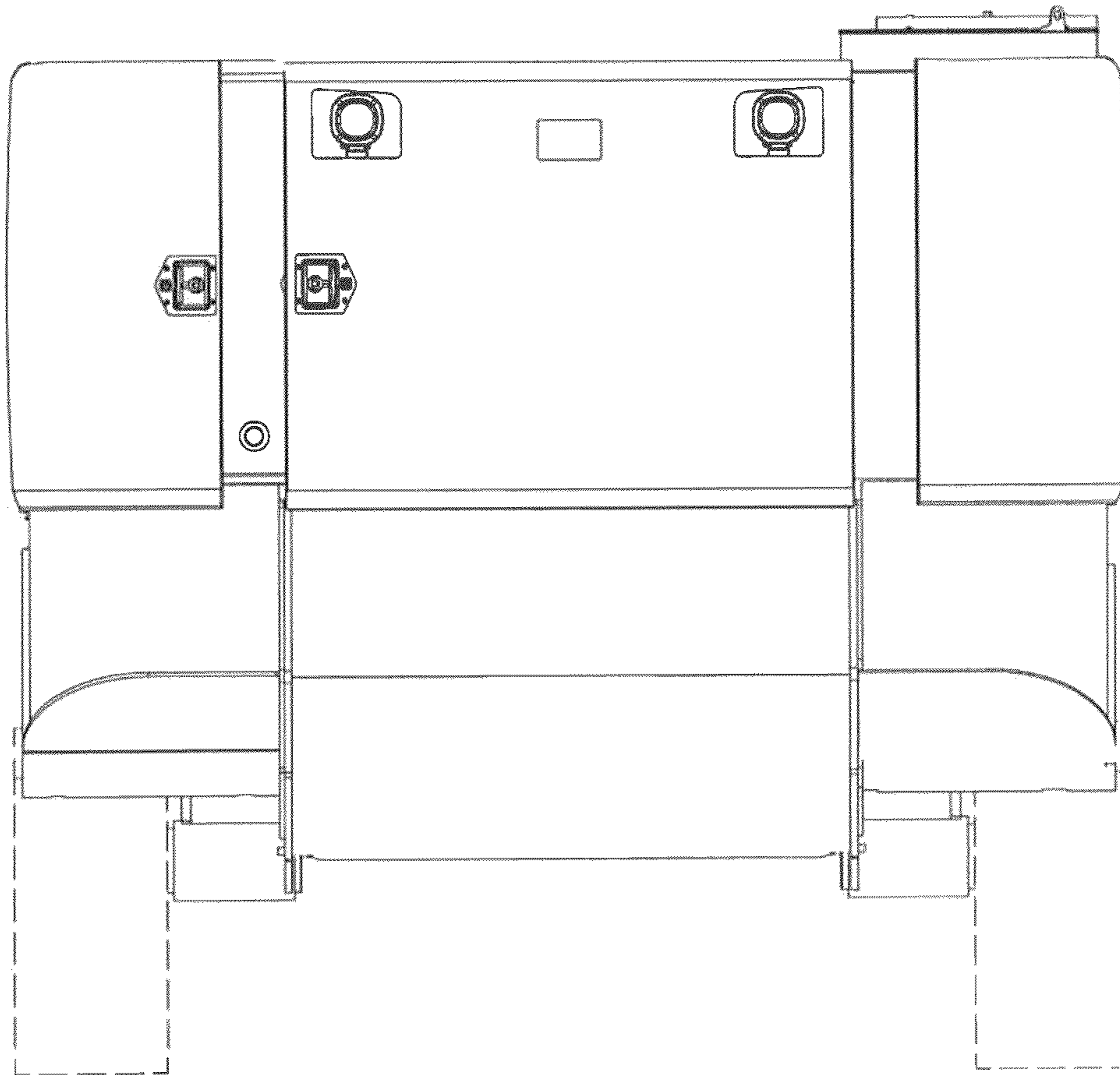


FIG. 4

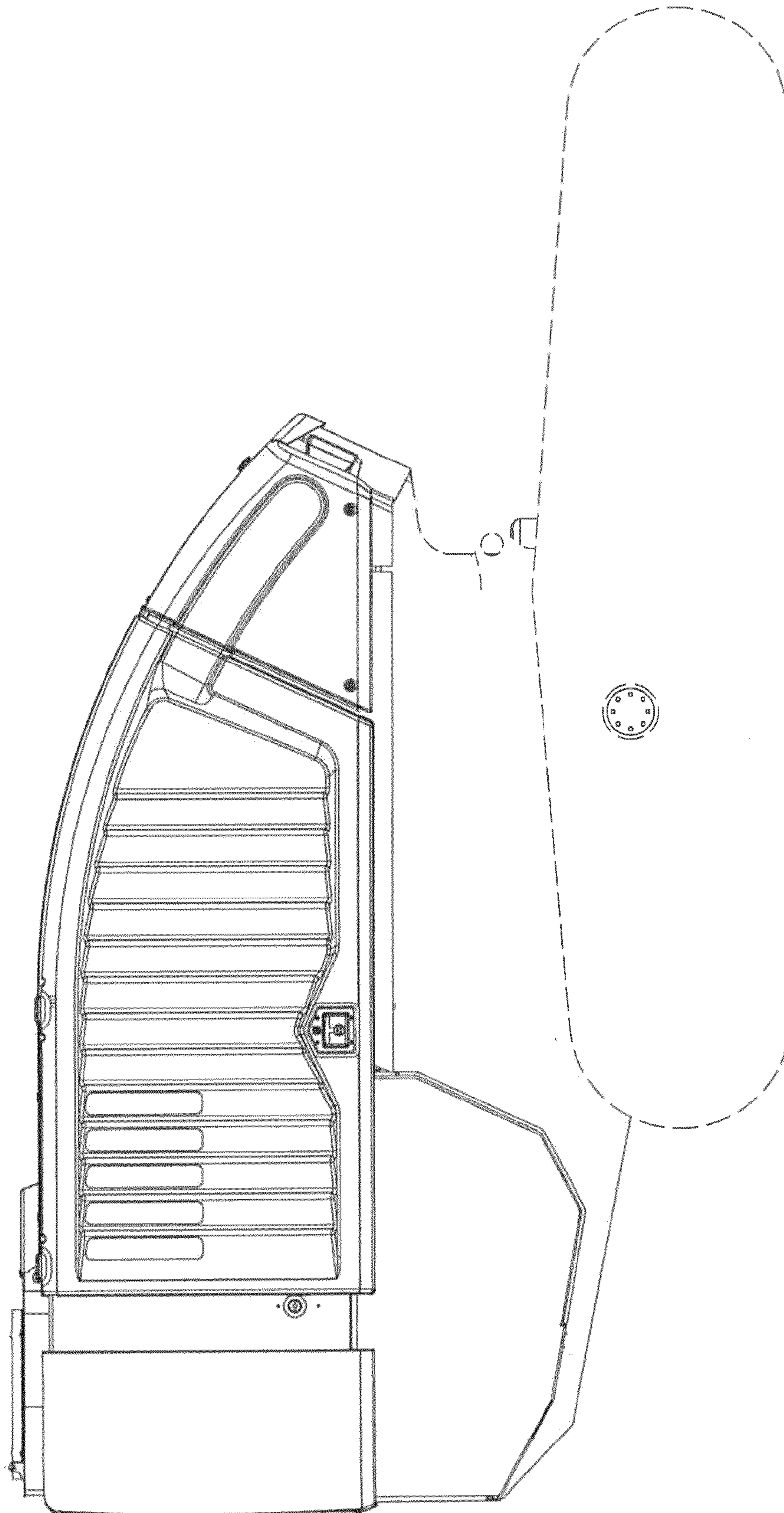


FIG. 5

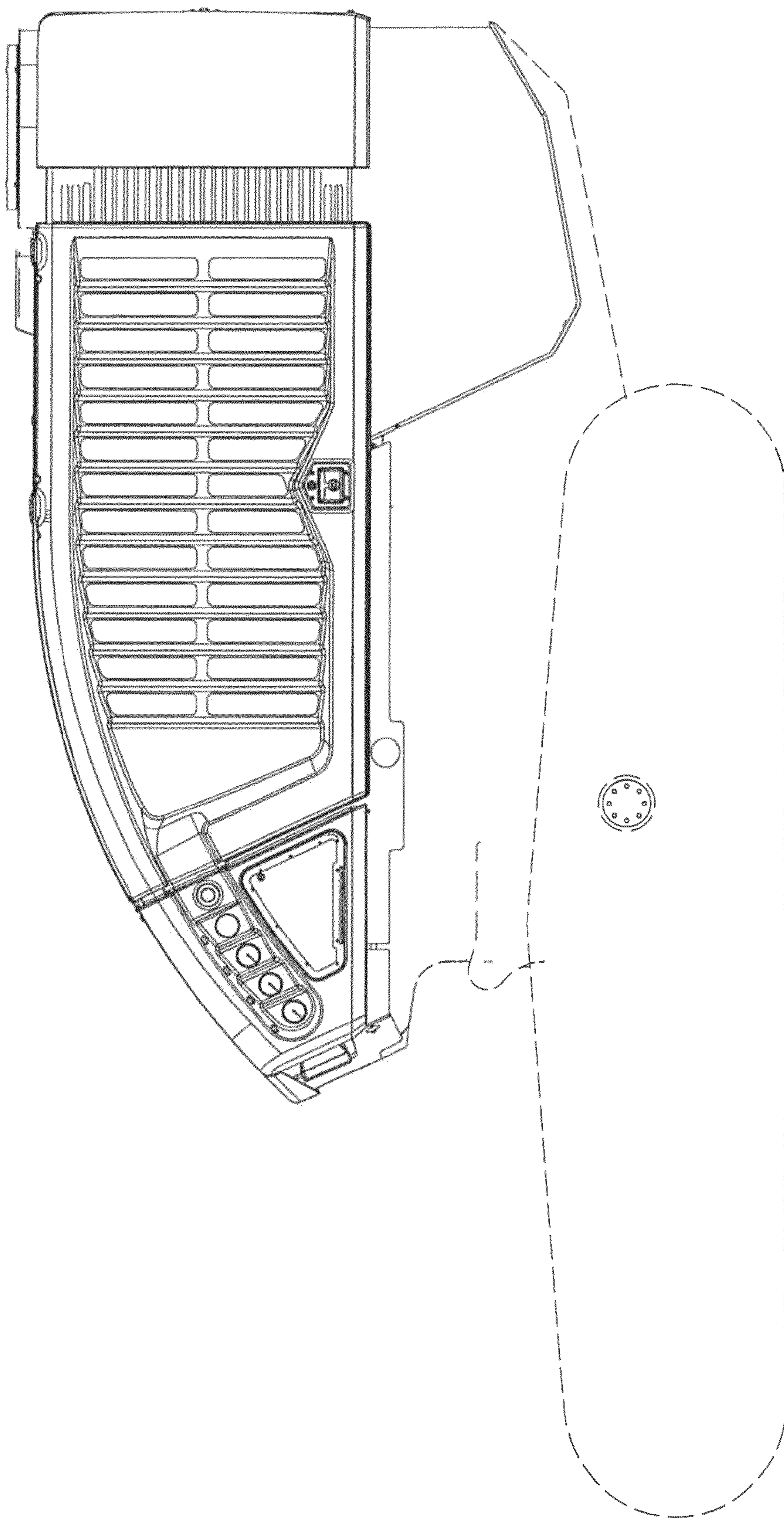


FIG. 6

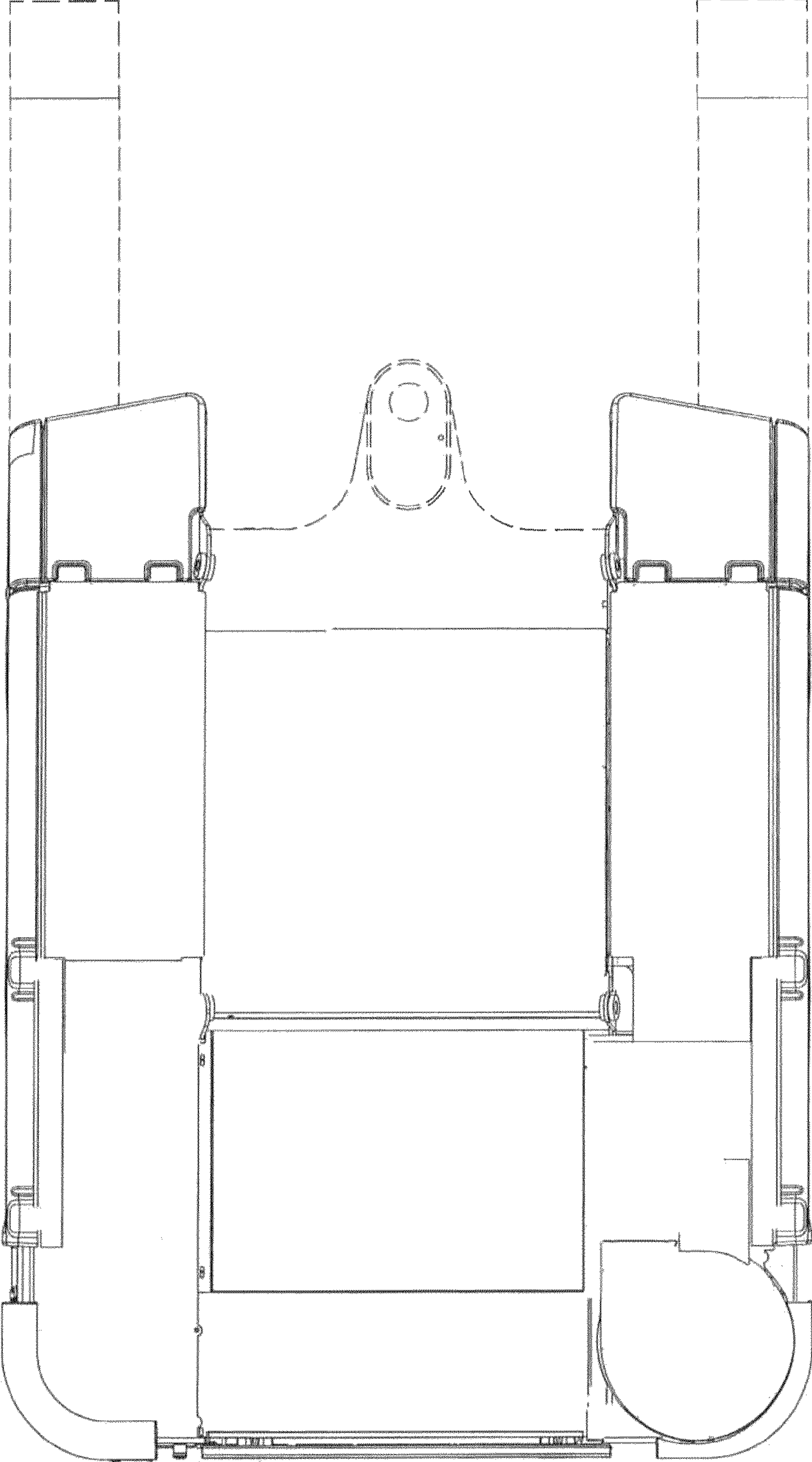


FIG. 7