



US00D726778S

(12) **United States Design Patent**  
**Little et al.**

(10) **Patent No.:** **US D726,778 S**  
(45) **Date of Patent:** **\*\* Apr. 14, 2015**

(54) **SEED SENSOR**

(71) Applicant: **Deere & Company**, Moline, IL (US)

(72) Inventors: **Rory B. Little**, Bettendorf, IA (US);  
**Joseph E. Davenport**, Harwood, ND (US);  
**Gregory K. Harmelink**, Moorhead, MN (US);  
**Nathan A. Mariman**, Geneseo, IL (US);  
**Bryan M. Margaria**, Apex, NC (US)

(73) Assignee: **Deere & Company**, One John Deere Place, Moline, IL (US)

(\*\*) Term: **14 Years**

(21) Appl. No.: **29/480,991**

(22) Filed: **Jan. 31, 2014**

(51) **LOC (10) Cl.** ..... **15-03**

(52) **U.S. Cl.**  
USPC ..... **D15/28**

(58) **Field of Classification Search**  
USPC ..... D15/10, 17, 22-26, 28; D12/192;  
D13/184, 162, 164; D14/247, 285,  
D14/415; D10/125; D34/28, 35; 220/811;  
180/315, 89.1, 89.12, 235, 900;  
414/273, 465, 454, 459, 460, 719, 694,  
414/699, 722-724; 212/324, 326, 327  
See application file for complete search history.

(56) **References Cited**

**U.S. PATENT DOCUMENTS**

D311,520 S \* 10/1990 Serio, Jr. .... D13/184  
D435,566 S \* 12/2000 Anderson ..... D15/28  
D437,328 S \* 2/2001 Anderson ..... D15/28

D513,497 S \* 1/2006 Whitehouse ..... D13/162  
D533,092 S \* 12/2006 Disselkoen et al. .... D10/50  
D542,745 S \* 5/2007 Barnes et al. .... D13/184  
D550,167 S \* 9/2007 Popa ..... D13/164  
D564,972 S \* 3/2008 Peterson ..... D13/162  
D567,776 S \* 4/2008 Wells ..... D13/184  
D627,798 S \* 11/2010 Berning et al. .... D15/28  
D627,800 S \* 11/2010 Berning et al. .... D15/28  
D627,802 S \* 11/2010 Berning et al. .... D15/28  
D628,603 S \* 12/2010 Berning et al. .... D15/28  
D636,182 S \* 4/2011 Yang ..... D3/294  
D647,542 S \* 10/2011 Zwettler ..... D15/28  
D650,815 S \* 12/2011 Pellervo Viertola et al. .. D15/28  
RE43,772 E \* 10/2012 Mariman et al. .... 111/174  
2004/0231575 A1 \* 11/2004 Wilkerson et al. .... 111/127  
2007/0084387 A1 \* 4/2007 Mariman et al. .... 111/174  
2009/0090284 A1 \* 4/2009 Peterson et al. .... 111/185  
2013/0192504 A1 \* 8/2013 Sauder et al. .... 111/184  
2014/0261118 A1 \* 9/2014 Mayerle ..... 111/184

\* cited by examiner

*Primary Examiner* — Mark Goodwin

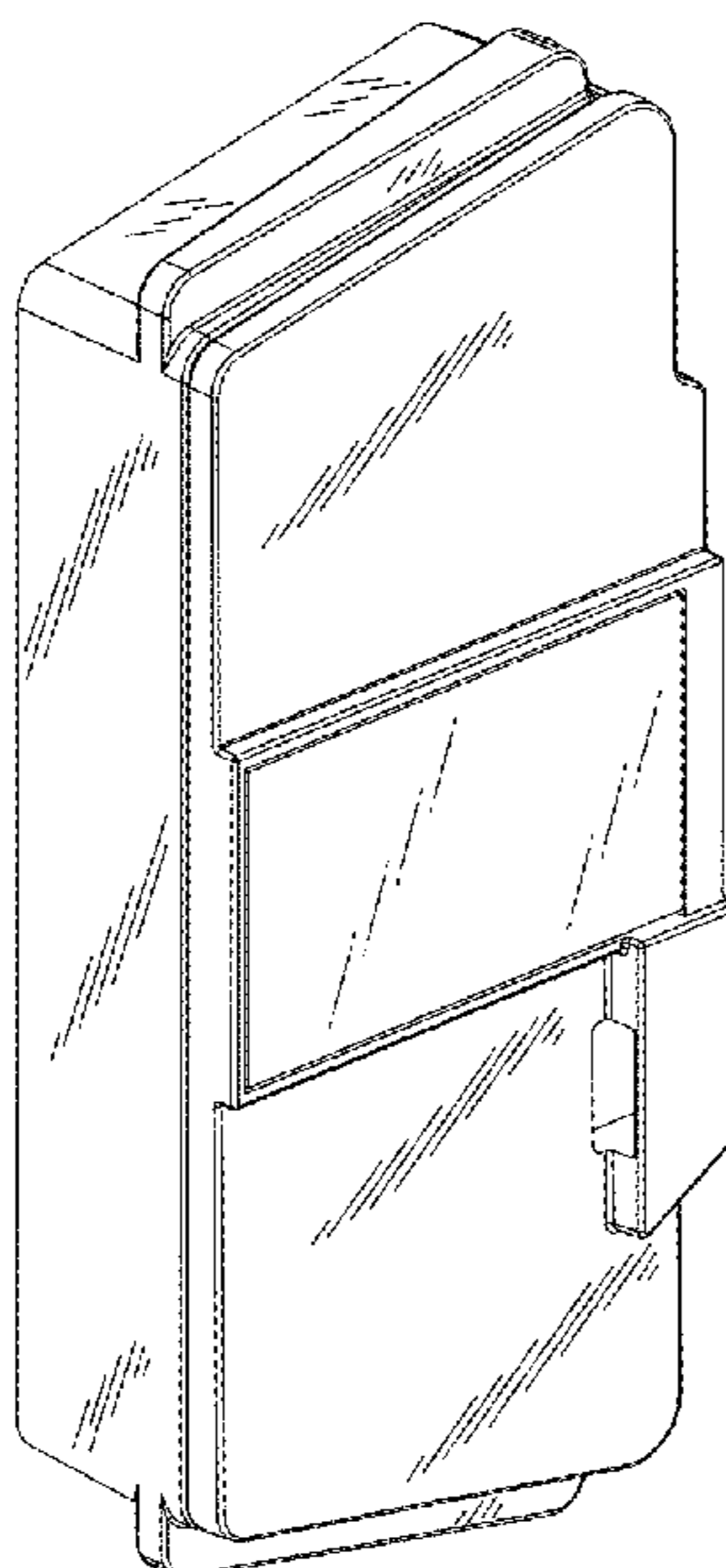
(57) **CLAIM**

The ornamental design for a seed sensor, as shown and described.

**DESCRIPTION**

FIG. 1 is a left front perspective view of a seed sensor showing our new design.  
FIG. 2 is a right front perspective view thereof.  
FIG. 3 is a top view thereof.  
FIG. 4 is a left side view thereof.  
FIG. 5 is a front view thereof.  
FIG. 6 is a right side view thereof.  
FIG. 7 is a bottom view thereof; and,  
FIG. 8 is a rear view thereof.

**1 Claim, 4 Drawing Sheets**



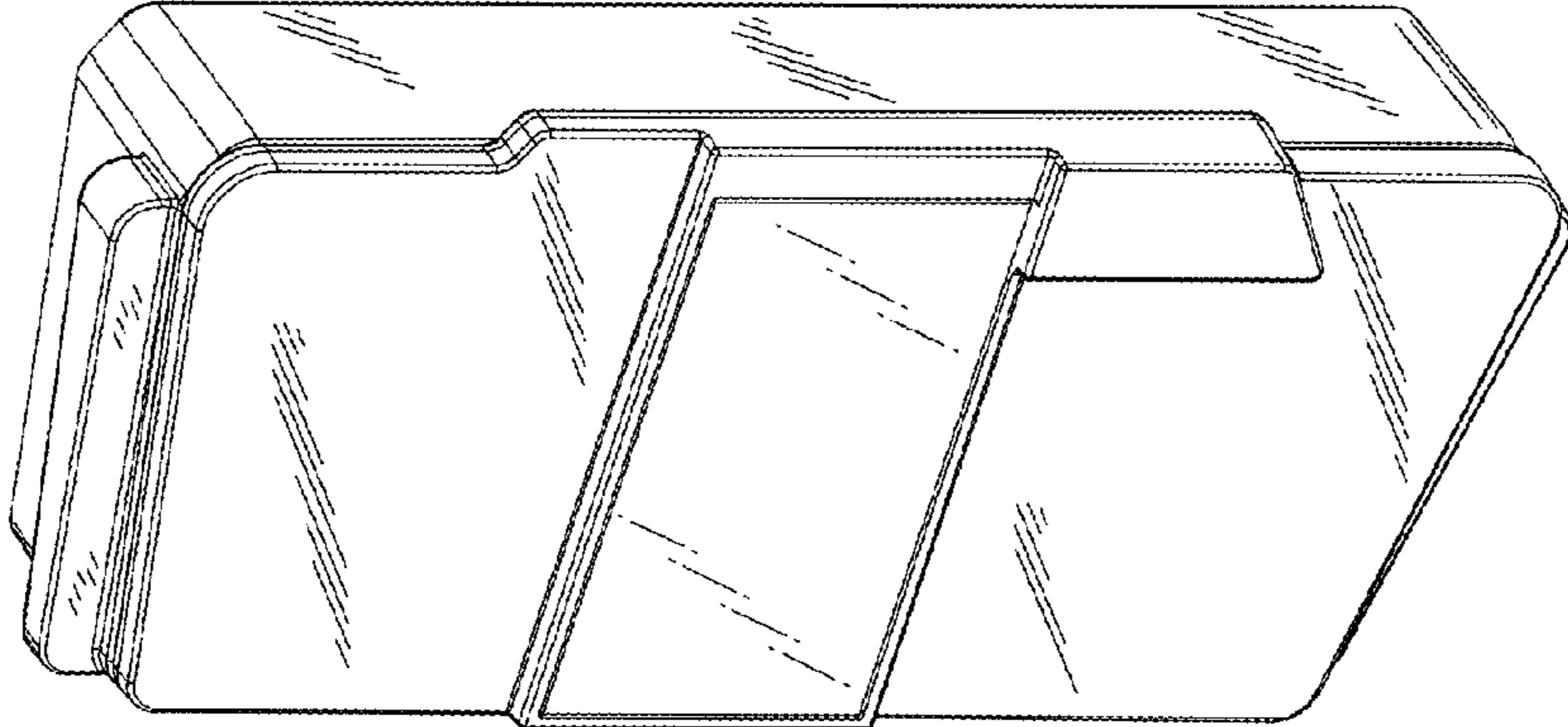


FIG. 2

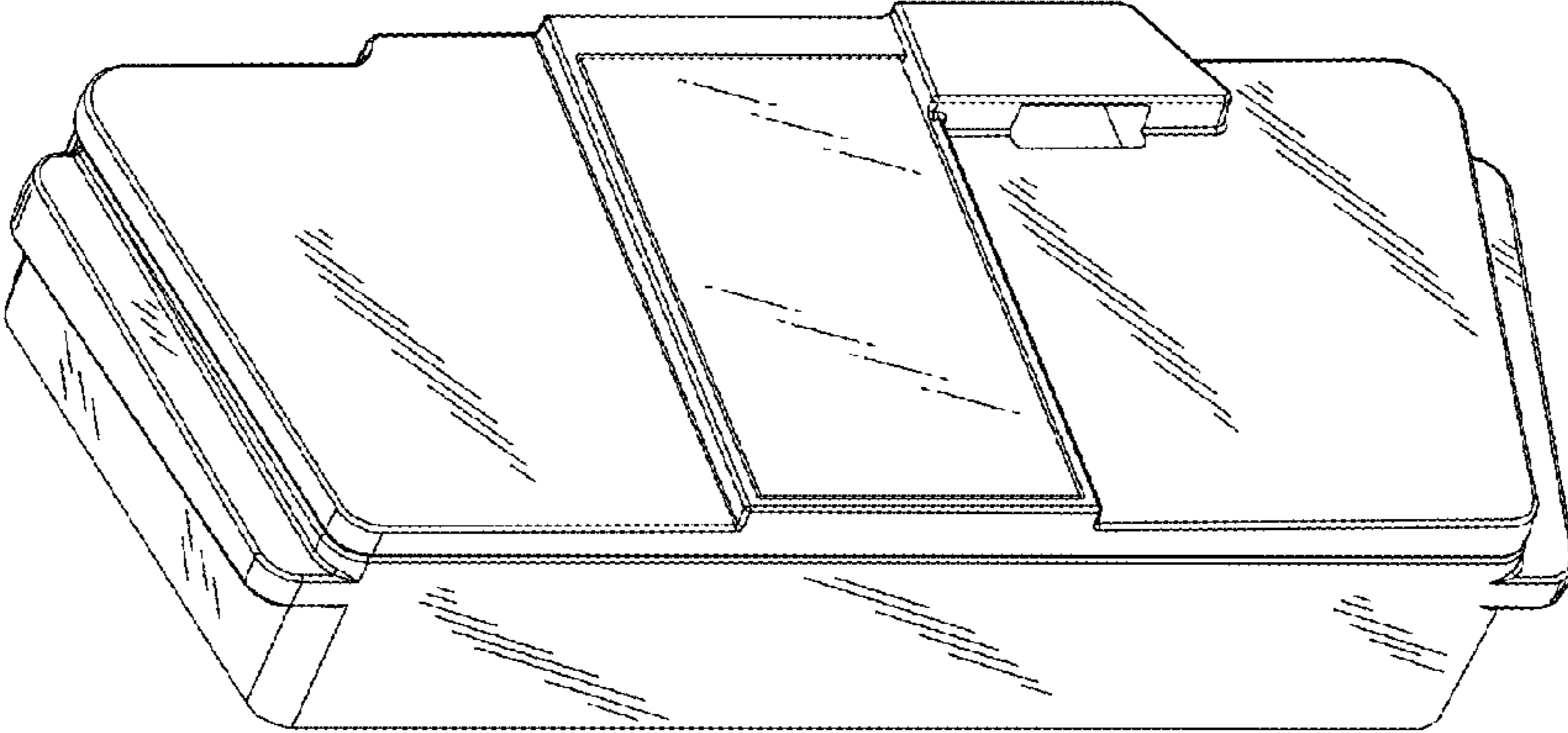


FIG. 1

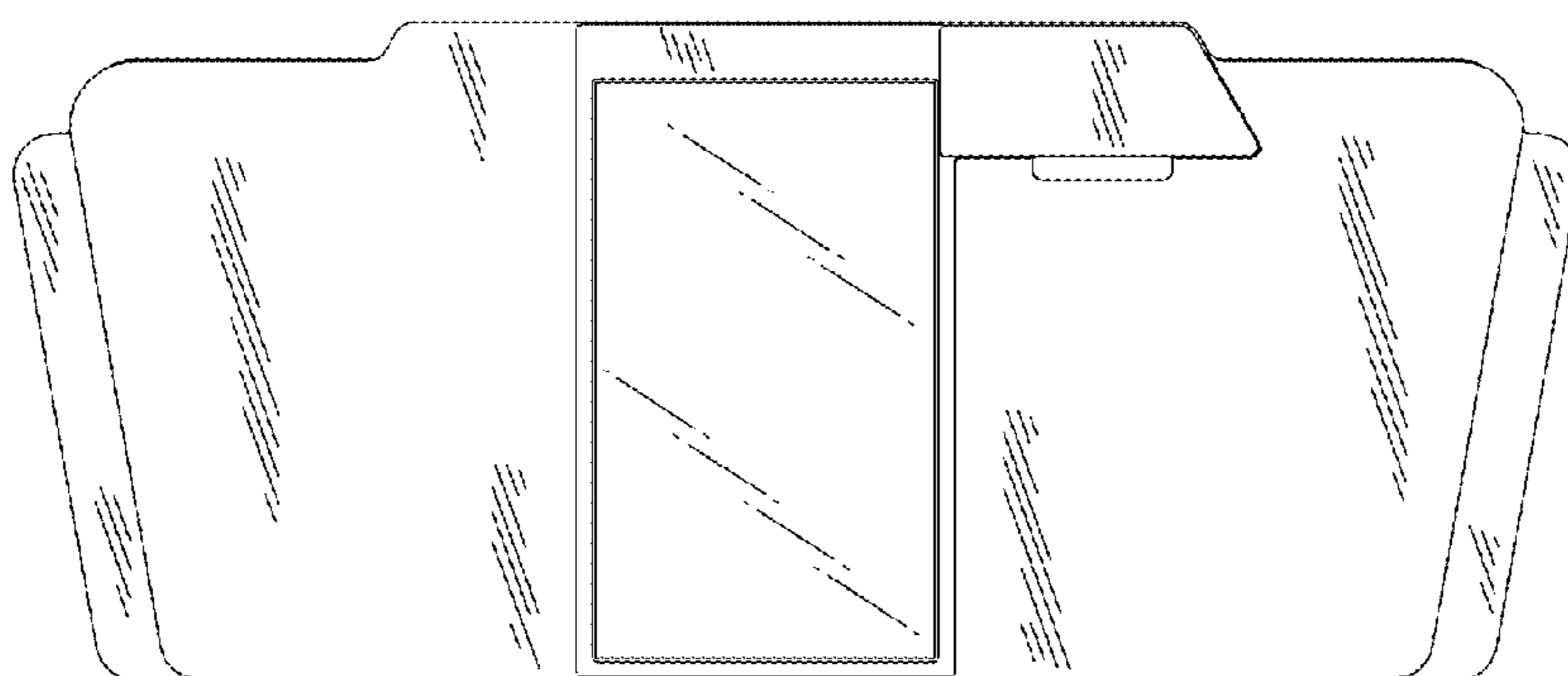


FIG. 4

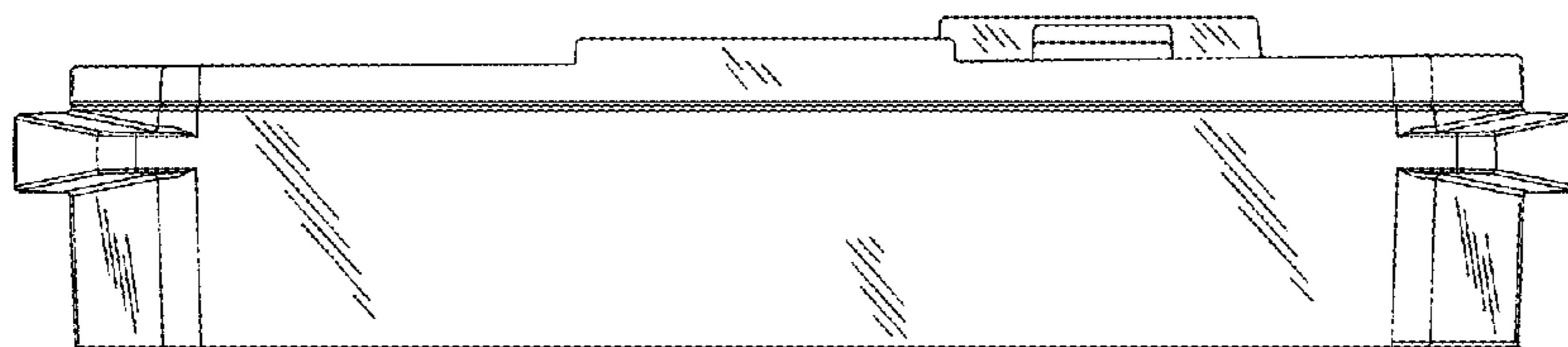


FIG. 3

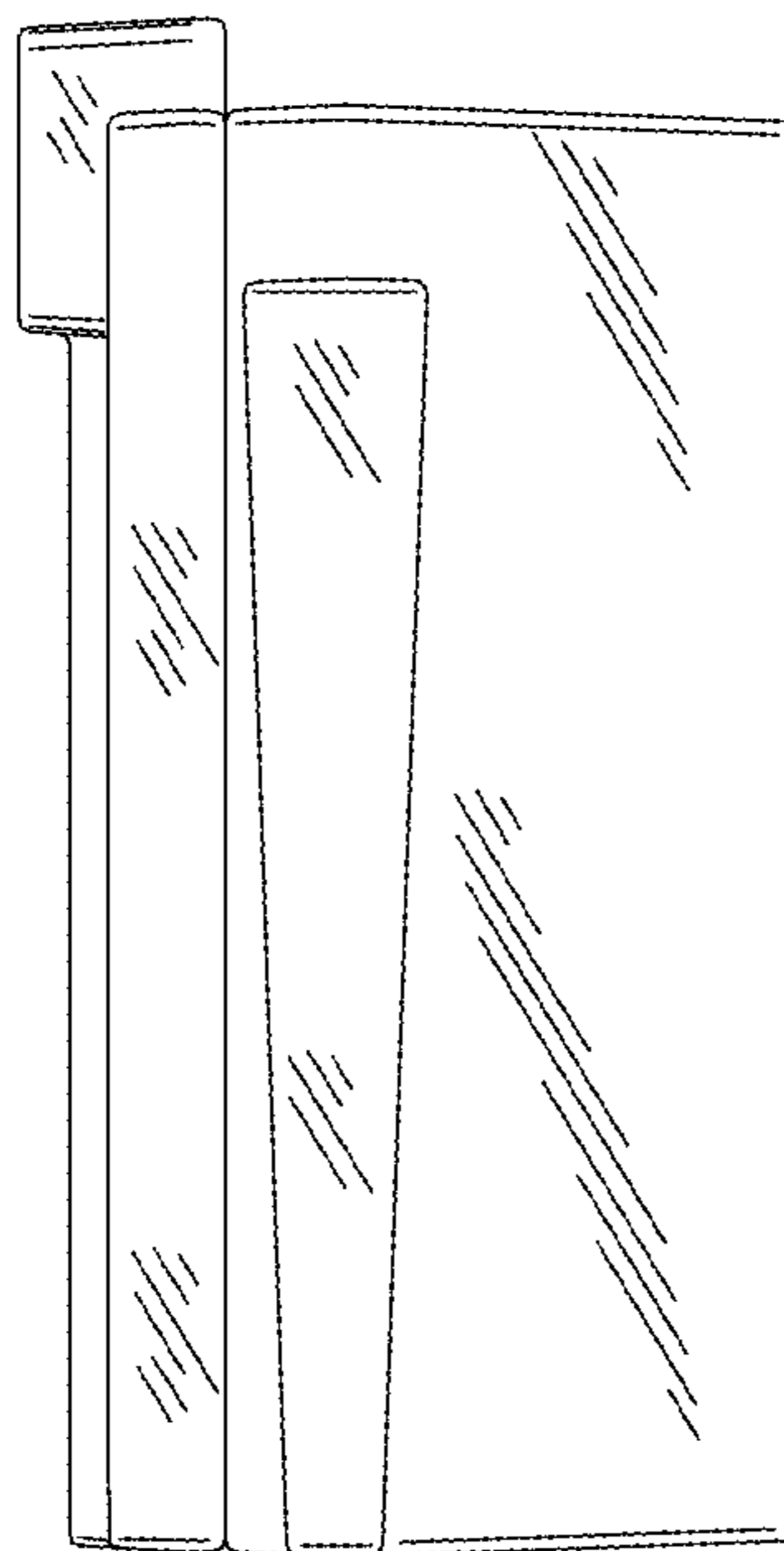


FIG. 6

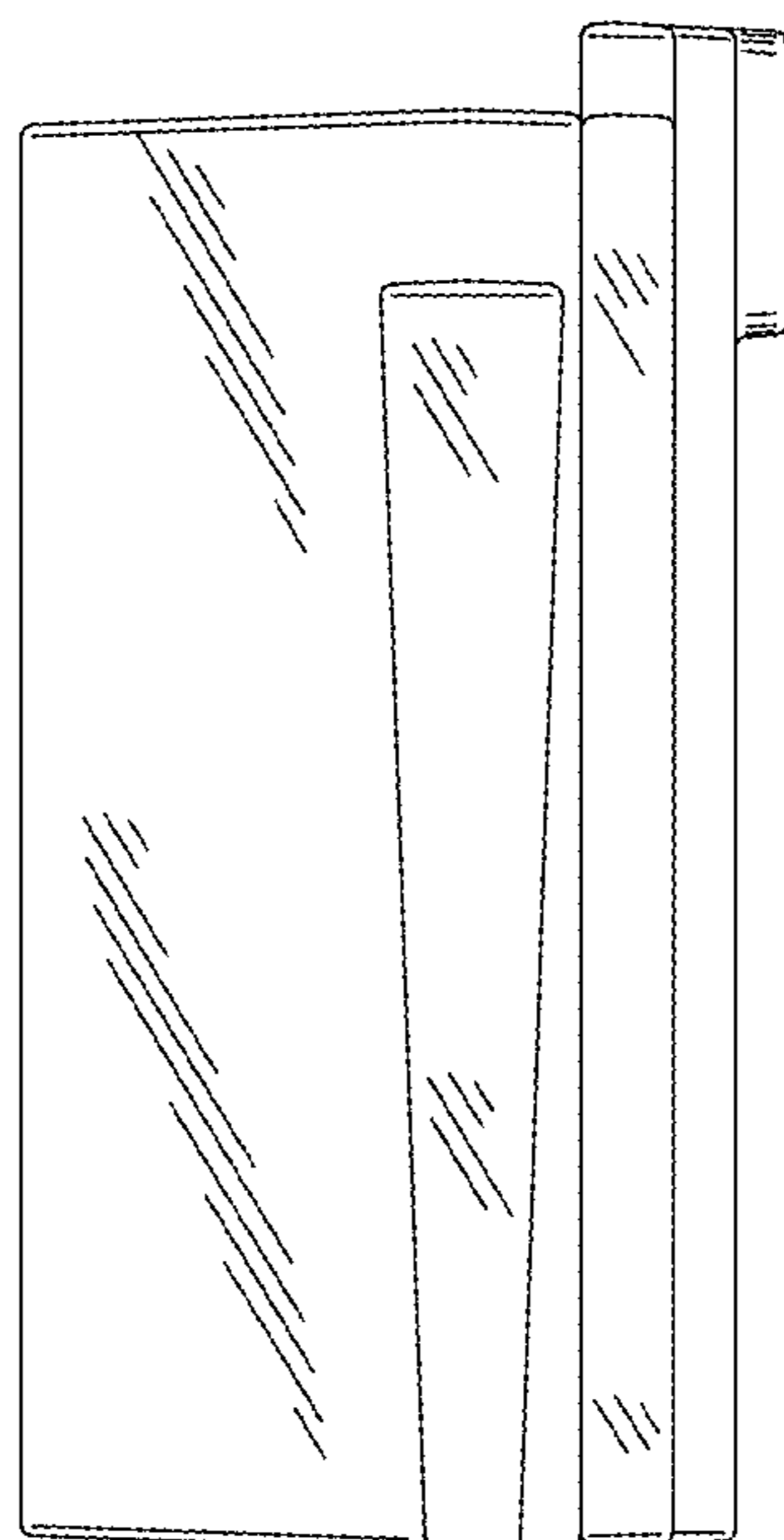


FIG. 5

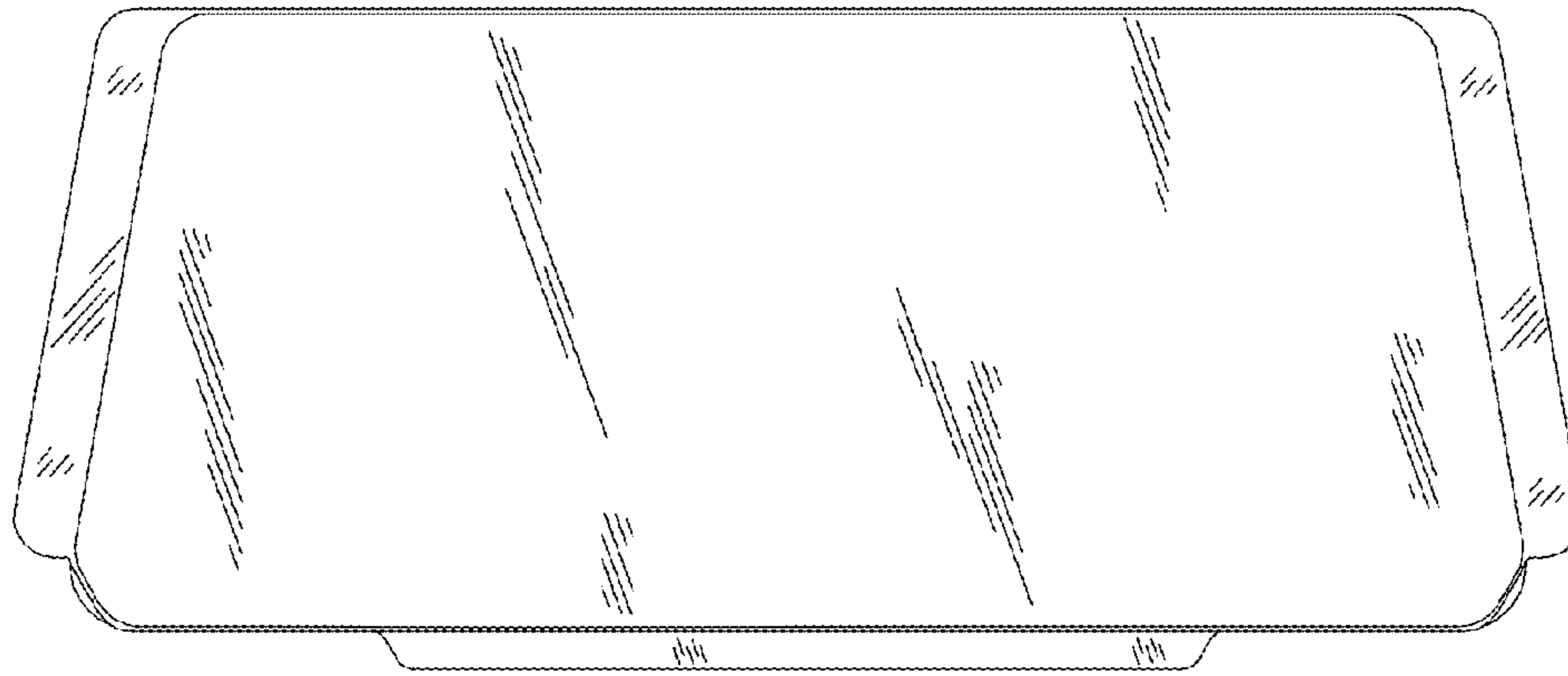


FIG. 8

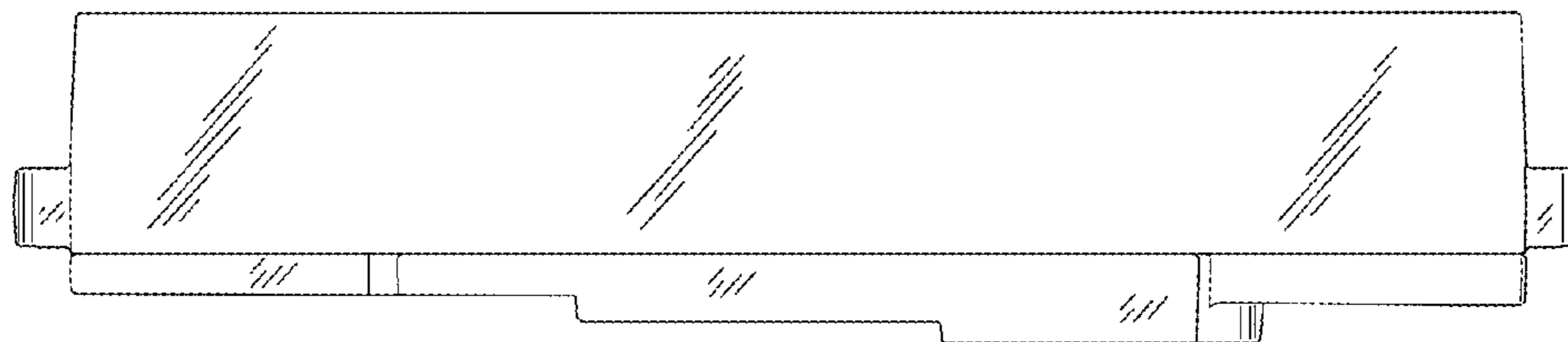


FIG. 7