



US00D726776S

(12) **United States Design Patent**
Ley et al.

(10) **Patent No.:** **US D726,776 S**
(45) **Date of Patent:** **** Apr. 14, 2015**

(54) **WEAR PROTECTION SKID**

(71) Applicant: **Wirtgen GmbH**, Windhagen (DE)

(72) Inventors: **Herbert Ley**, St. Katharinen (DE);
Philip Verhaelen, Cologne (DE); **Cyrus Barimani**, Koenigswinter (DE); **Günter Hähn**, Koenigswinter (DE)

(73) Assignee: **Wirtgen GmbH** (DE)

(**) Term: **14 Years**

(21) Appl. No.: **29/479,972**

(22) Filed: **Jan. 22, 2014**

(30) **Foreign Application Priority Data**

Jul. 25, 2013 (EM) 002281048

(51) **LOC (10) Cl.** **15-03**

(52) **U.S. Cl.**
USPC **D15/28**

(58) **Field of Classification Search**
USPC D15/28, 19-22, 24, 29, 32; 37/381;
299/39.8; 404/90
See application file for complete search history.

(56) **References Cited**

U.S. PATENT DOCUMENTS

D240,846 S *	8/1976	Andersson	D15/11
4,325,580 A *	4/1982	Swisher et al.	299/39.8
D292,587 S *	11/1987	Johnson	D15/28
D300,222 S *	3/1989	Rutherford	D15/28
D302,432 S *	7/1989	Rabitsch	D15/28
D314,778 S *	2/1991	Rabitsch	D15/28
D382,570 S *	8/1997	Bruns	D15/28
D391,582 S *	3/1998	Bruns	D15/28
D423,522 S *	4/2000	Huntimer	D15/28
D446,222 S *	8/2001	Bruns et al.	D15/28

D458,614 S *	6/2002	Esterhuyse et al.	D15/29
D554,157 S *	10/2007	Renski	D15/29
D643,049 S *	8/2011	Nickels et al.	D15/28
D676,465 S *	2/2013	Attwood et al.	D15/28
D680,560 S *	4/2013	Fundakowski et al.	D15/28
D684,601 S *	6/2013	Robb, Jr.	D15/28
2013/0277076 A1	10/2013	Ley et al.		

OTHER PUBLICATIONS

Exhibit A: Enlarged photos of prior art runner segment designs as discussed in paragraph [0002] of this application, and taken from pp. 15 and 32 of Exhibit B.

(Continued)

Primary Examiner — Mark Goodwin

(74) *Attorney, Agent, or Firm* — Patterson Intellectual Property Law, PC; Lucian Wayne Beavers

(57) **CLAIM**

What is claimed is the ornamental design for a wear protection skid, as shown and described.

DESCRIPTION

FIG. 1 is an upper front perspective view of the wear protection skid.

FIG. 2 is a lower front perspective view of the wear protection skid of FIG. 1.

FIG. 3 is a front elevation view of the wear protection skid of FIG. 1.

FIG. 4 is a bottom view of the wear protection skid of FIG. 1.

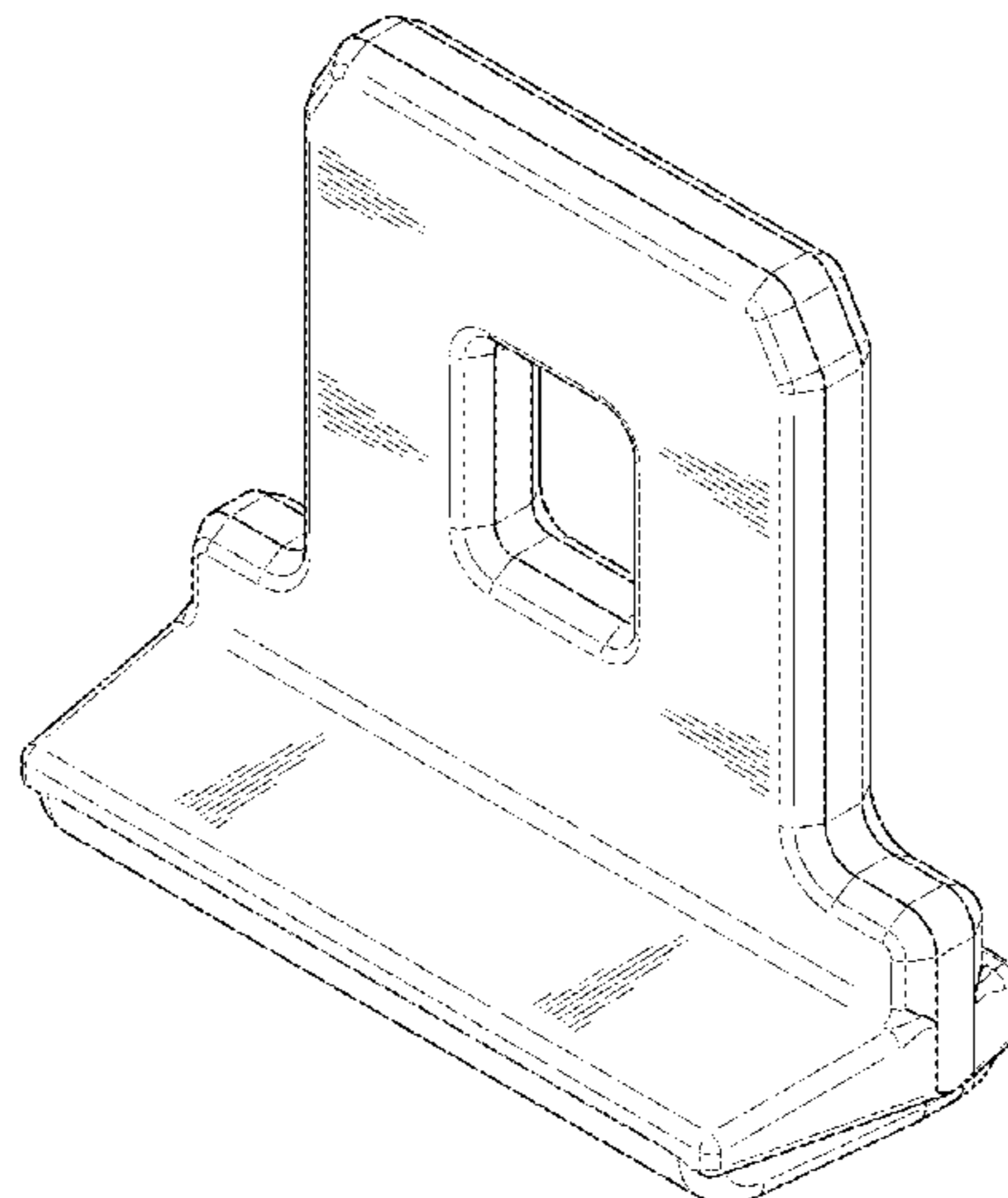
FIG. 5 is a right side elevation view of the wear protection skid of FIG. 1.

FIG. 6 is a top view of the wear protection skid of FIG. 1.

FIG. 7 is a rear elevation view of the wear protection skid of FIG. 1; and,

FIG. 8 is a left side elevation view of the wear protection skid of FIG. 1.

1 Claim, 6 Drawing Sheets



(56)

References Cited

OTHER PUBLICATIONS

Exhibit B: Catalog of Cold Milling Machine W210/W210i from Wirtgen GmbH, with photos of prior art runner segment designs as discussed in paragraph [0002] of the present application circled.

Exhibit C: Catalog of Cold Milling Machine W2100 from Wirtgen GmbH, with photos of prior art runner segment designs as discussed in paragraph [0002] of the present application circled.

Co-pending Design U.S. Appl. No. 29/479,971, filed Jan. 22, 2014 to Ley et al.

Co-pending Design U.S. Appl. No. 29/479,973, filed Jan. 22, 2014 to Ley et al.

Co-pending U.S. Appl. No. 13/792,721, filed Mar. 11, 2013 to Ley et al., now U.S. Patent Application Publication No. 2013/0277076 A1 published Oct. 24, 2013.

* cited by examiner

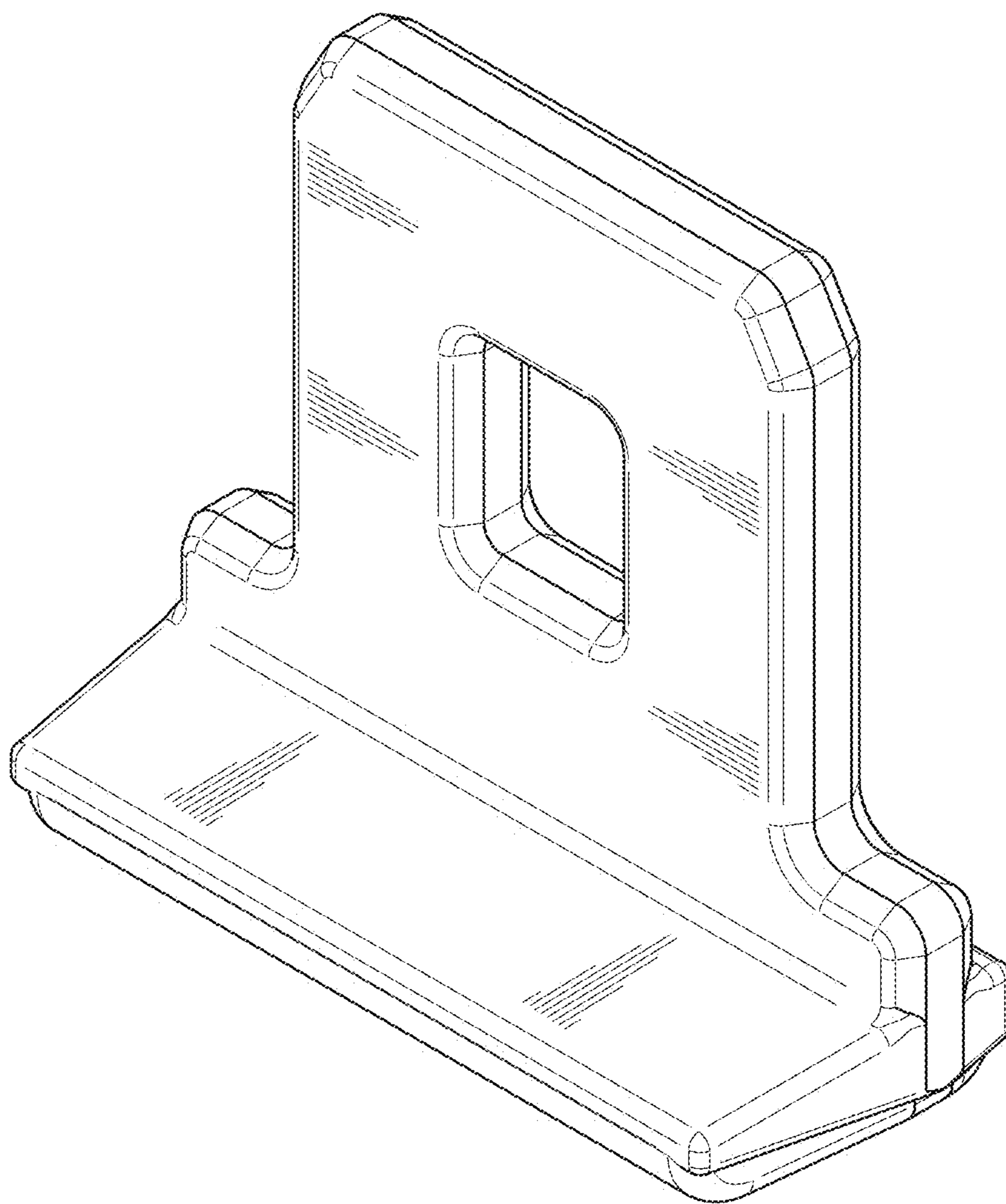


FIG. 1

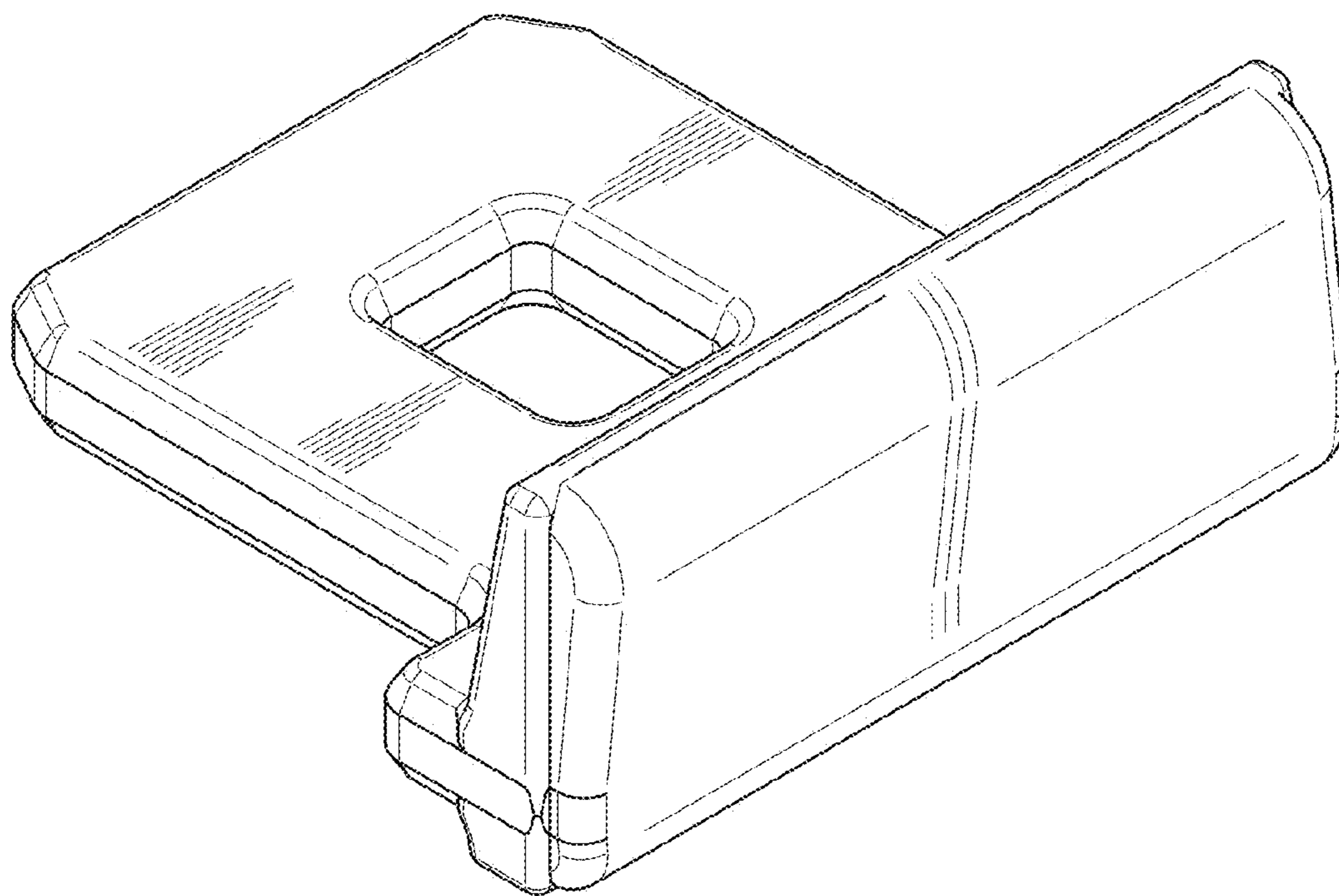


FIG. 2

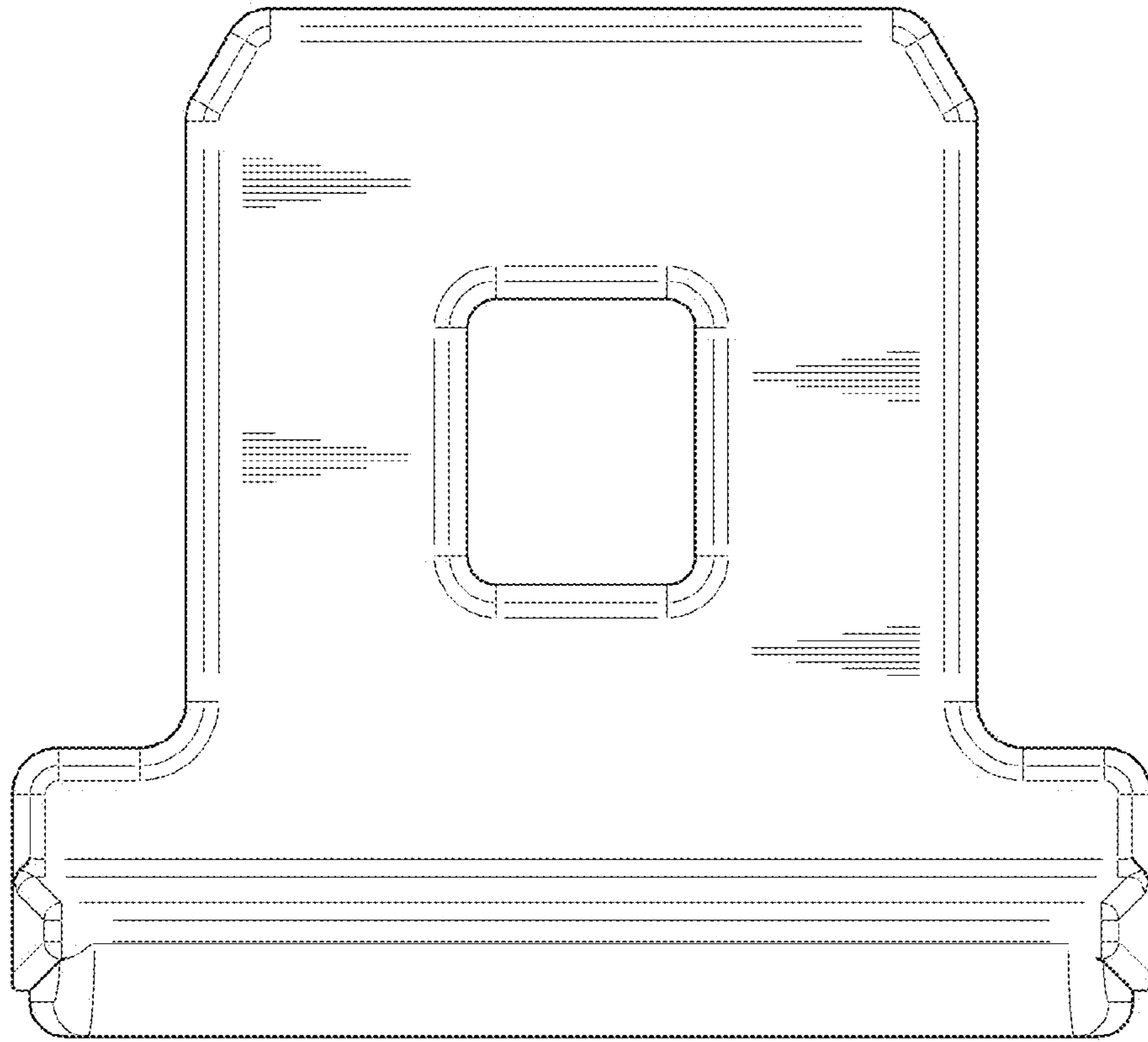


FIG. 3

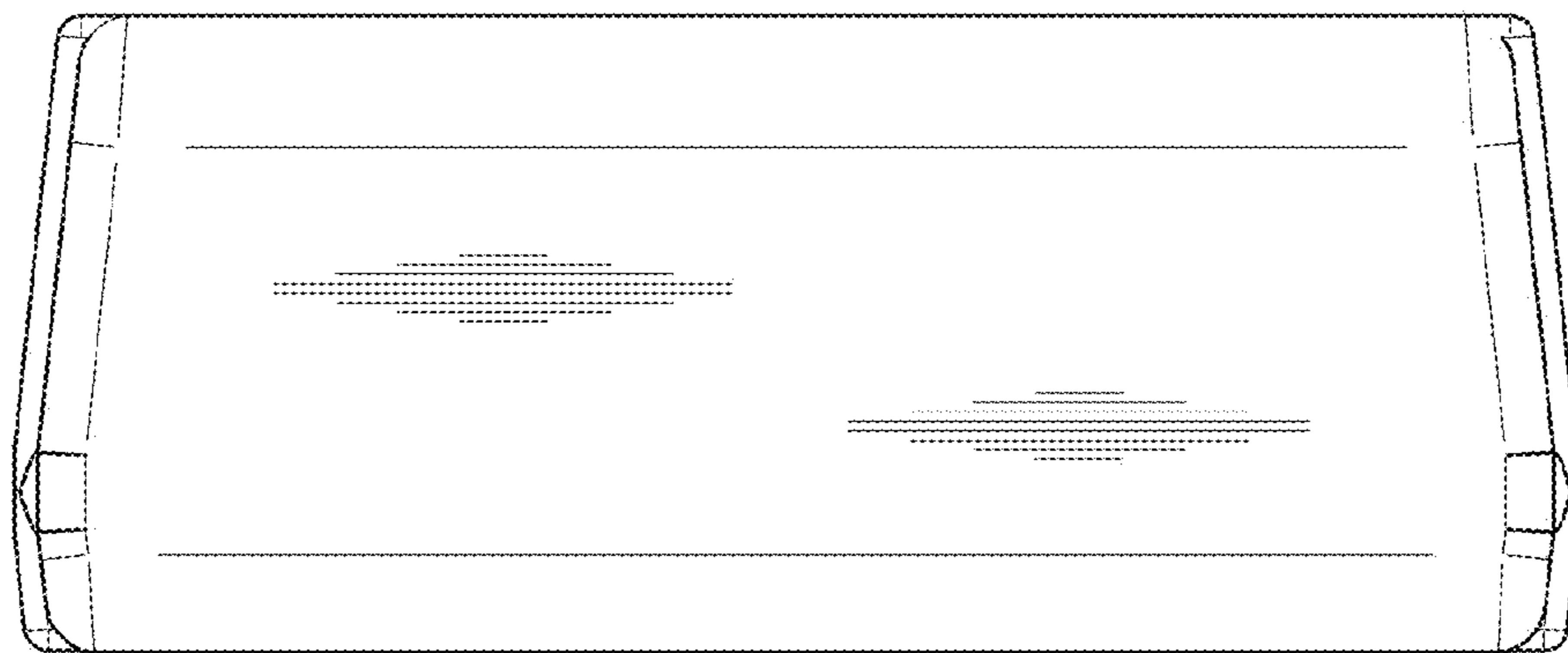


FIG. 4

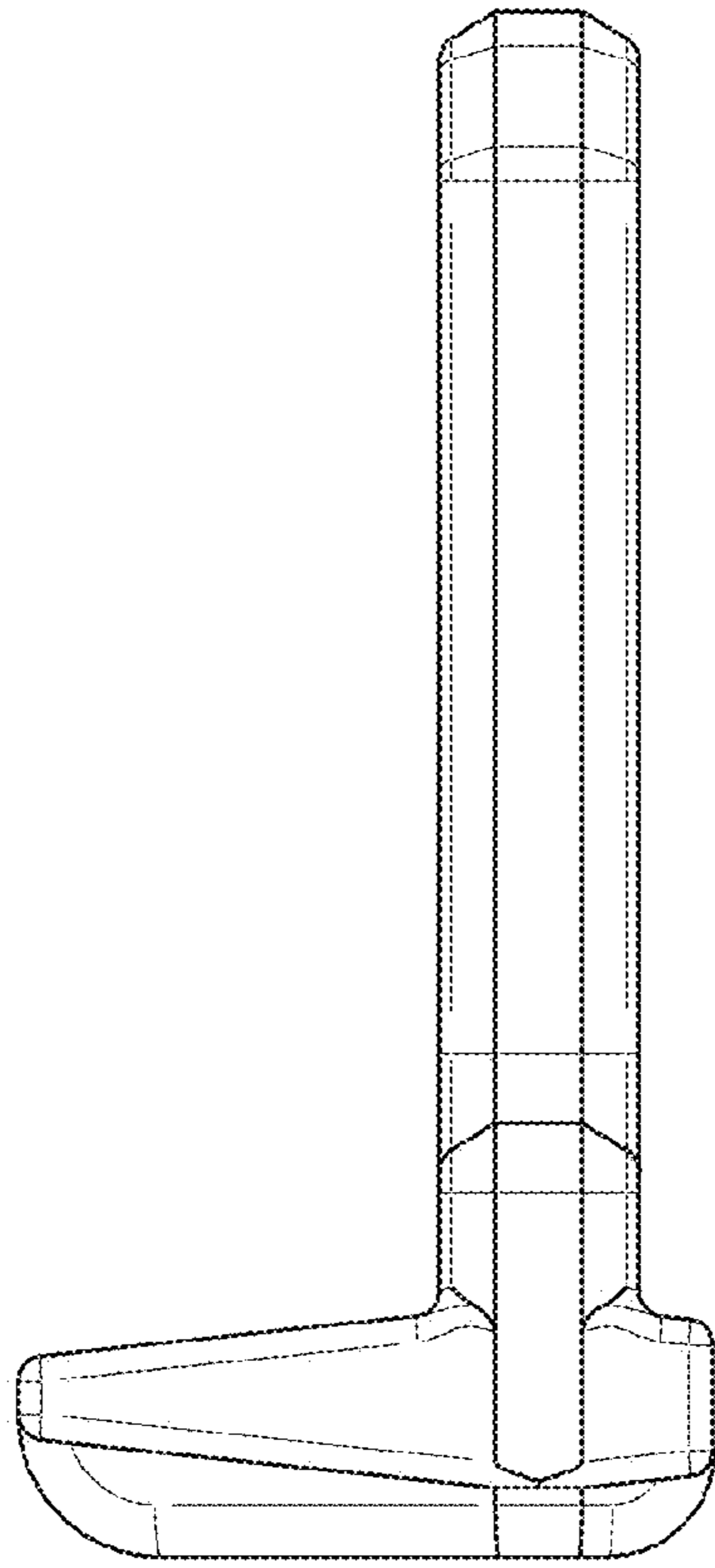


FIG. 5

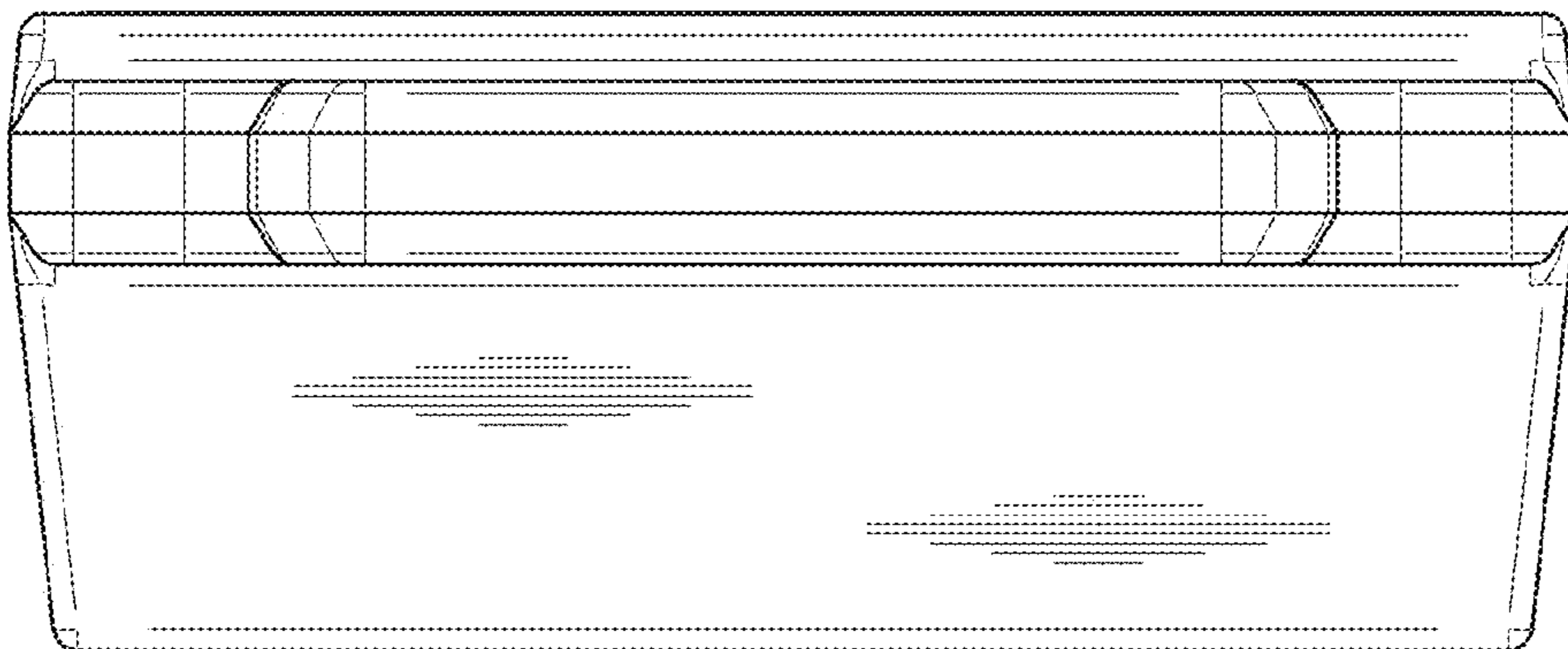


FIG. 6

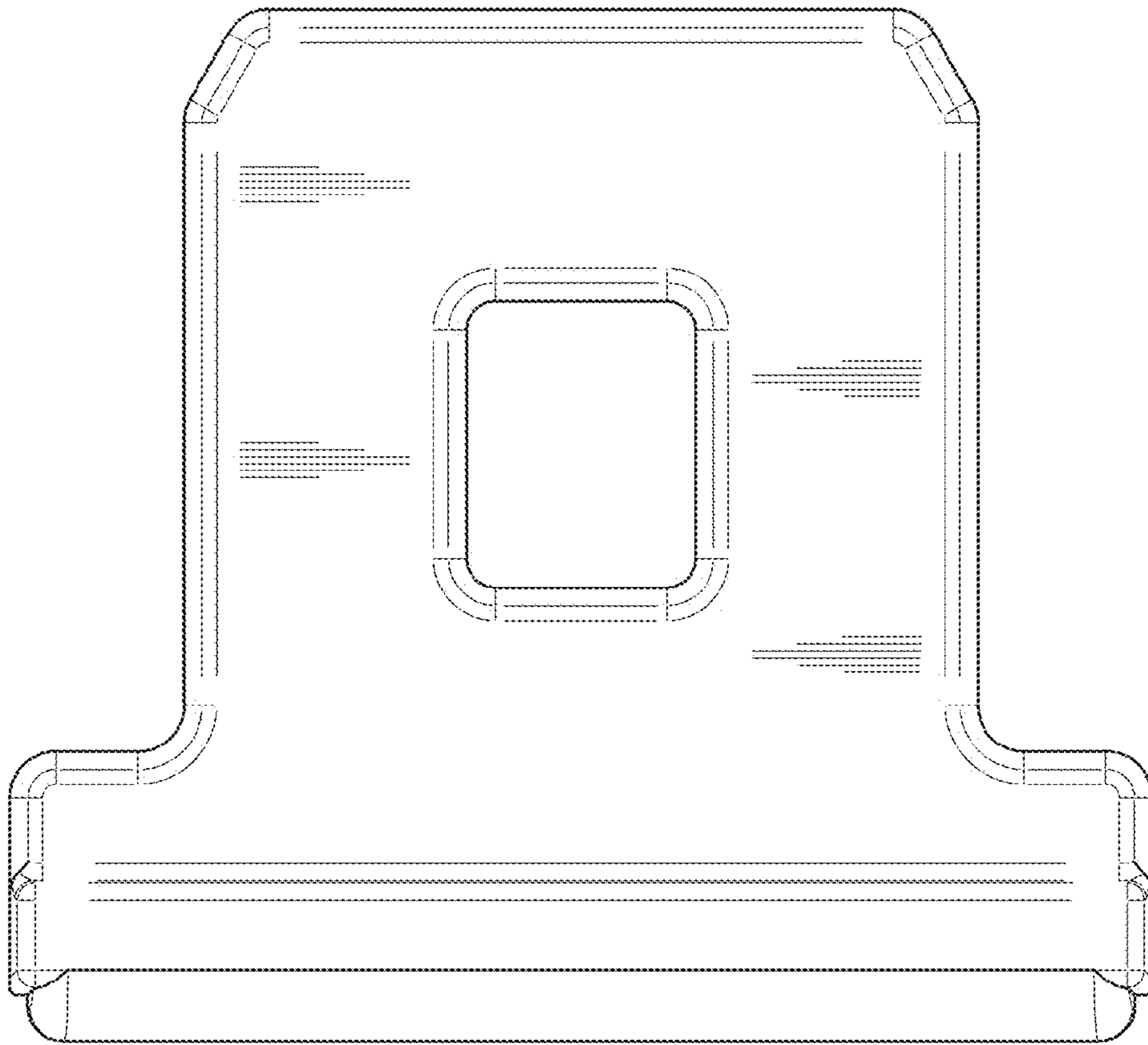


FIG. 7

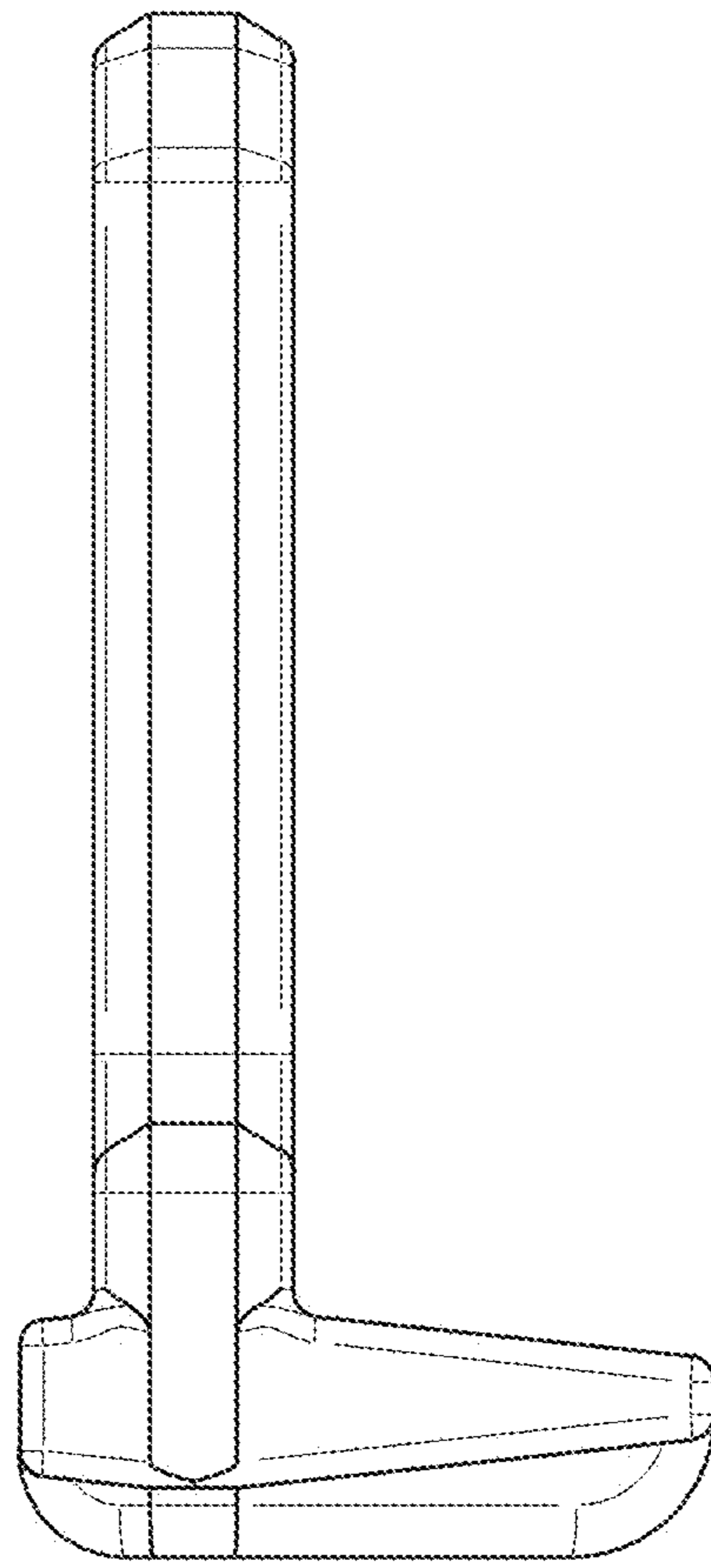


FIG. 8