



US00D726775S

(12) **United States Design Patent**
Ley et al.

(10) **Patent No.:** **US D726,775 S**
(45) **Date of Patent:** **** Apr. 14, 2015**

- (54) **WEAR PROTECTION SKID**
- (71) Applicant: **Wirtgen GmbH**, Windhagen (DE)
- (72) Inventors: **Herbert Ley**, St. Katharinen (DE);
Philip Verhaelen, Cologne (DE); **Cyrus Barimani**, Koenigswinter (DE); **Günter Hähn**, Koenigswinter (DE)
- (73) Assignee: **Wirtgen GmbH** (DE)
- (**) Term: **14 Years**
- (21) Appl. No.: **29/479,971**
- (22) Filed: **Jan. 22, 2014**

- (30) **Foreign Application Priority Data**
- Jul. 25, 2013 (EM) 002281048
- (51) **LOC (10) CL.** **15-03**
- (52) **U.S. CL.**
USPC **D15/28**
- (58) **Field of Classification Search**
USPC D15/28, 19-22, 24, 29, 32; 37/381;
299/39.8; 404/90
See application file for complete search history.

- (56) **References Cited**
- U.S. PATENT DOCUMENTS
- D240,846 S * 8/1976 Andersson D15/11
- 4,325,580 A * 4/1982 Swisher et al. 299/39.8
- D292,587 S * 11/1987 Johnson D15/28
- D300,222 S * 3/1989 Rutherford D15/28
- D302,432 S * 7/1989 Rabitsch D15/28
- D314,778 S * 2/1991 Rabitsch D15/28
- D382,570 S * 8/1997 Bruns D15/28
- D391,582 S * 3/1998 Bruns D15/28
- D423,522 S * 4/2000 Huntimer D15/28

- D446,222 S * 8/2001 Bruns et al. D15/28
- D458,614 S * 6/2002 Esterhuyse et al. D15/29
- D554,157 S * 10/2007 Renski D15/29
- D643,049 S * 8/2011 Nickels et al. D15/28
- D676,465 S * 2/2013 Attwood et al. D15/28
- D680,560 S * 4/2013 Fundakowski et al. D15/28
- D684,601 S * 6/2013 Robb, Jr. D15/28
- 2013/0277076 A1 10/2013 Ley et al.

OTHER PUBLICATIONS

Exhibit A: Enlarged photos of prior art runner segment designs as discussed in paragraph [0002] of this application, and taken from pp. 15 and 32 of Exhibit B.

Exhibit B: Catalog of Cold Milling Machine W210/W210i from Wirtgen GmbH, with photos of prior art runner segment designs as discussed in paragraph [0002] of the present application circled.

(Continued)

Primary Examiner — Mark Goodwin
(74) *Attorney, Agent, or Firm* — Patterson Intellectual Property Law, PC; Lucian Wayne Beavers

(57) **CLAIM**
What is claimed is the ornamental design for a wear protection skid, as shown and described.

DESCRIPTION

FIG. 1 is an upper front perspective view of the wear protection skid.

FIG. 2 is a lower front perspective view of the wear protection skid of FIG. 1.

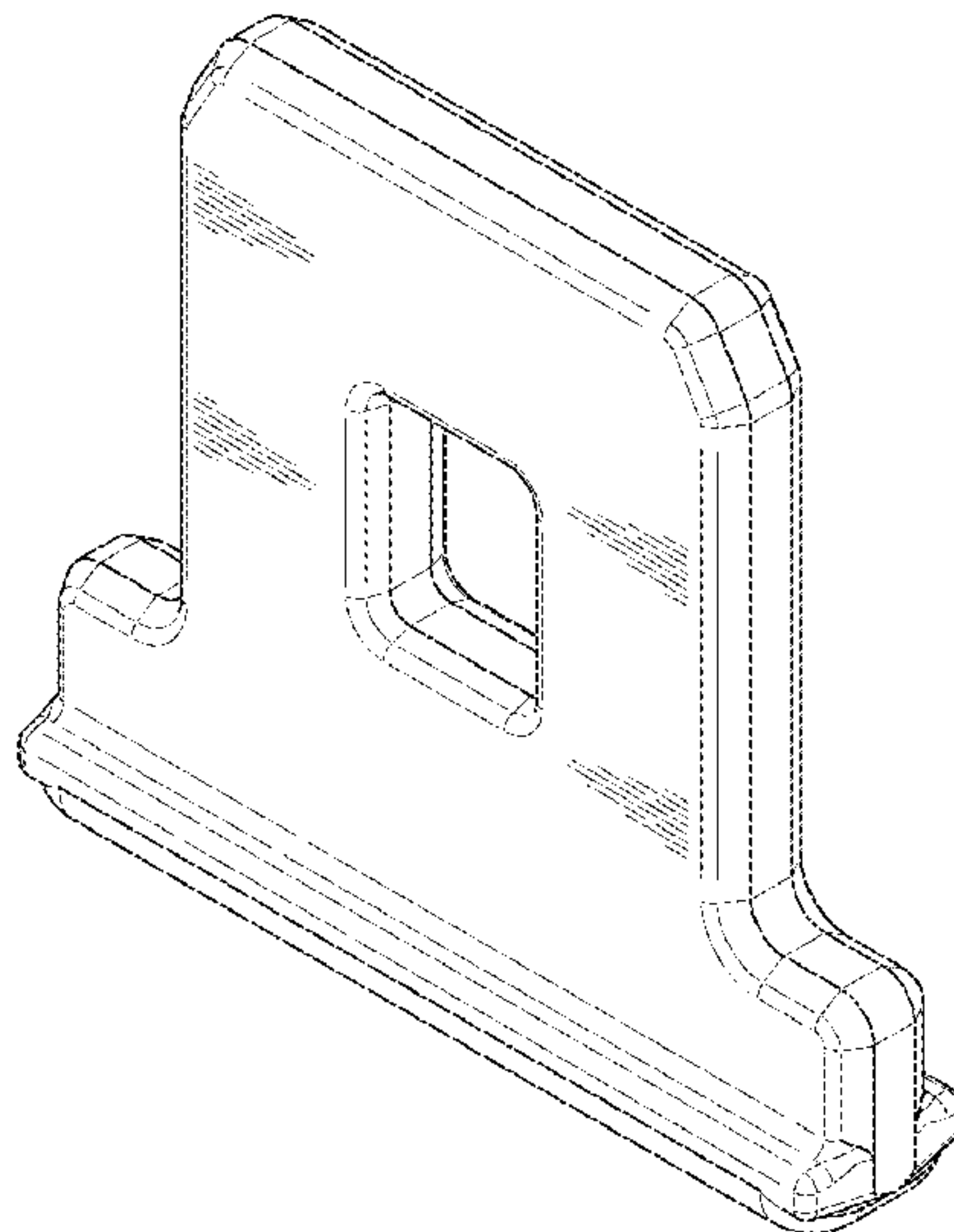
FIG. 3 is a front elevation view of the wear protection skid of FIG. 1.

FIG. 4 is a bottom view of the wear protection skid of FIG. 1.

FIG. 5 is a right side elevation view of the wear protection skid of FIG. 1; and

FIG. 6 is a top view of the wear protection skid of FIG. 1.

1 Claim, 3 Drawing Sheets



(56)

References Cited

OTHER PUBLICATIONS

Exhibit C: Catalog of Cold Milling Machine W2100 from Wirtgen GmbH, with photos of prior art runner segment designs as discussed in paragraph [0002] of the present application circled.

Co-pending Design U.S. Appl. No. 29/479,972, filed Jan. 22, 2014 to Ley et al.

Co-pending Design U.S. Appl. No. 29/479,973, filed Jan. 22, 2014 to Ley et al.

Co-pending U.S. Appl. No. 13/792,721, filed Mar. 11, 2013 to Ley et al., now U.S. Patent Application Publication No. 2013/0277076 A1 published Oct. 24, 2013.

* cited by examiner

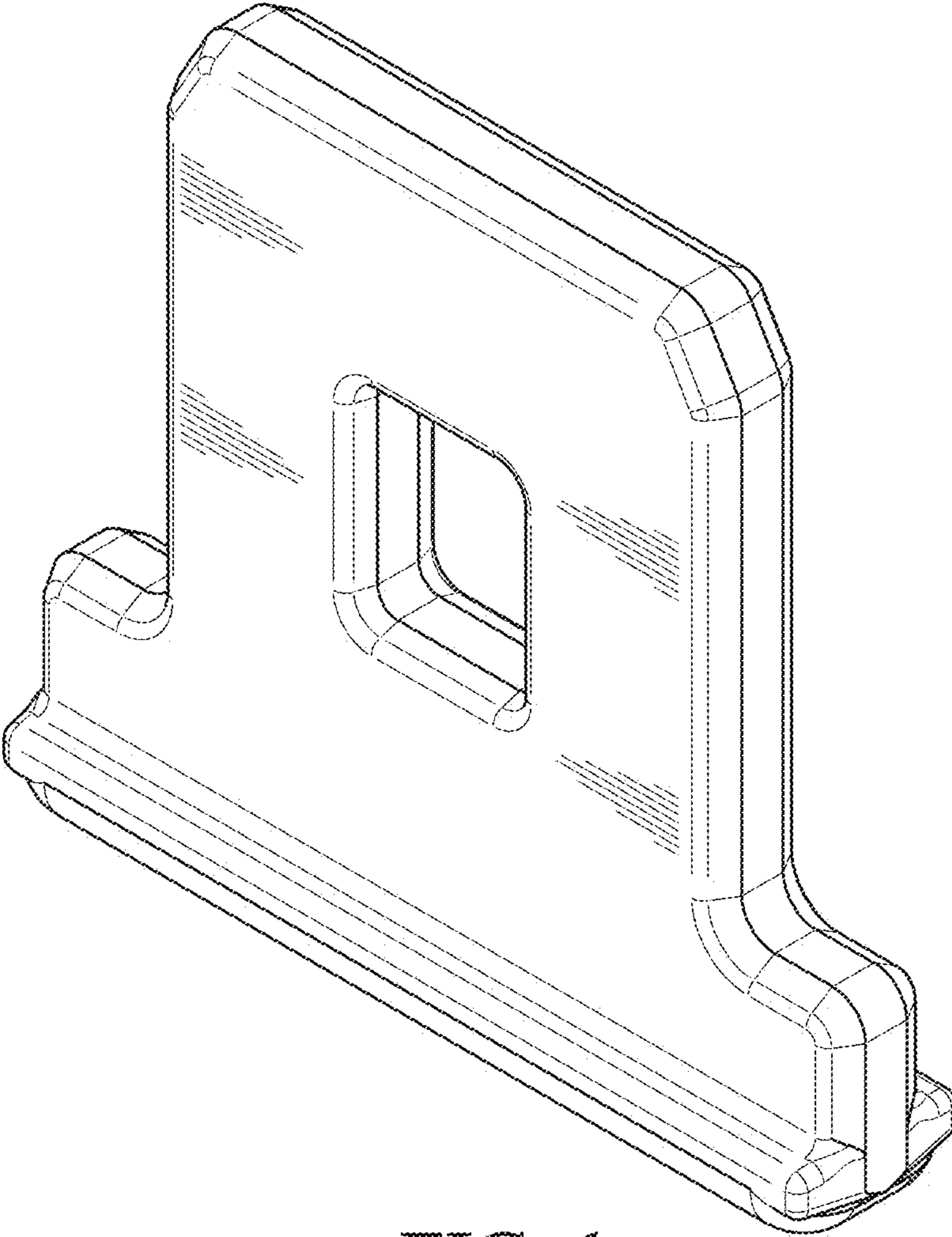


FIG. 1

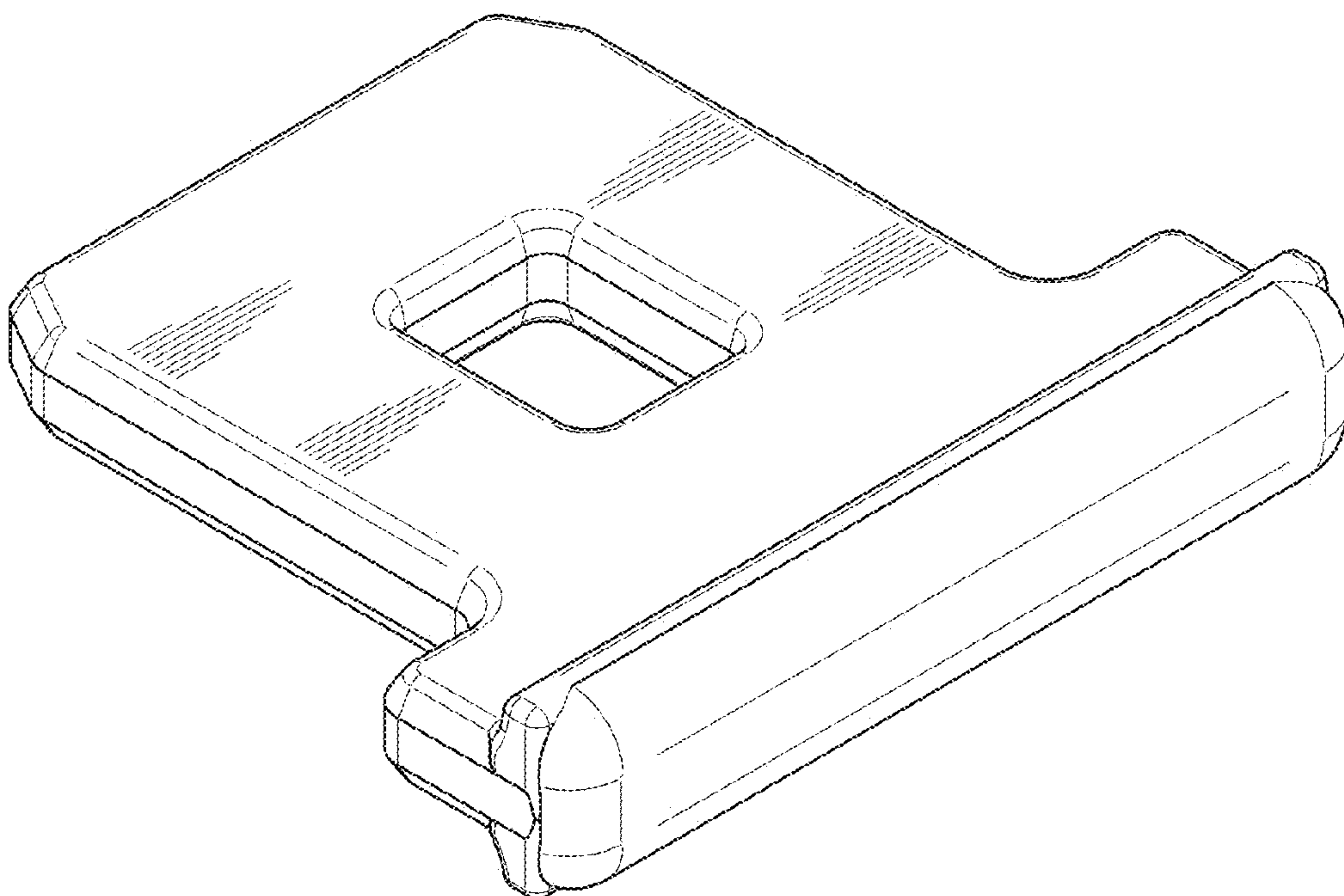


FIG. 2

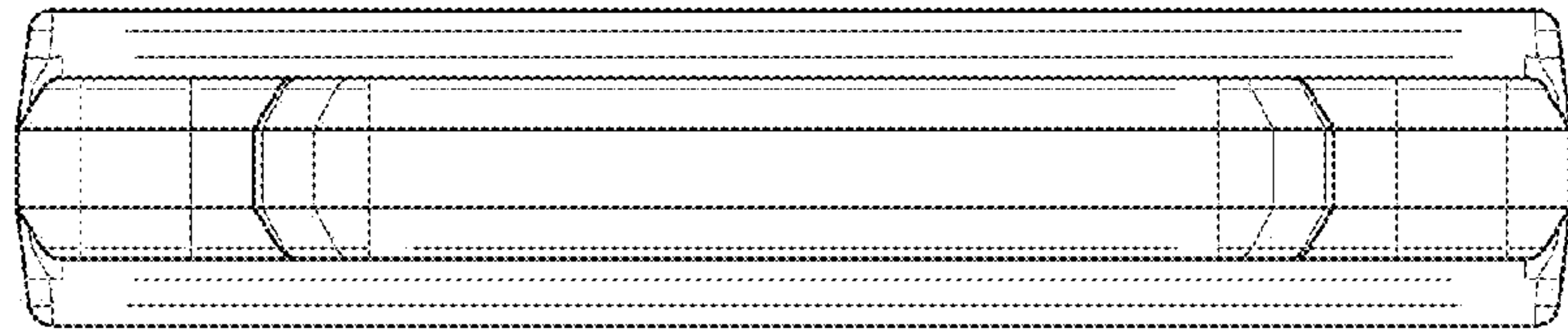


FIG. 6

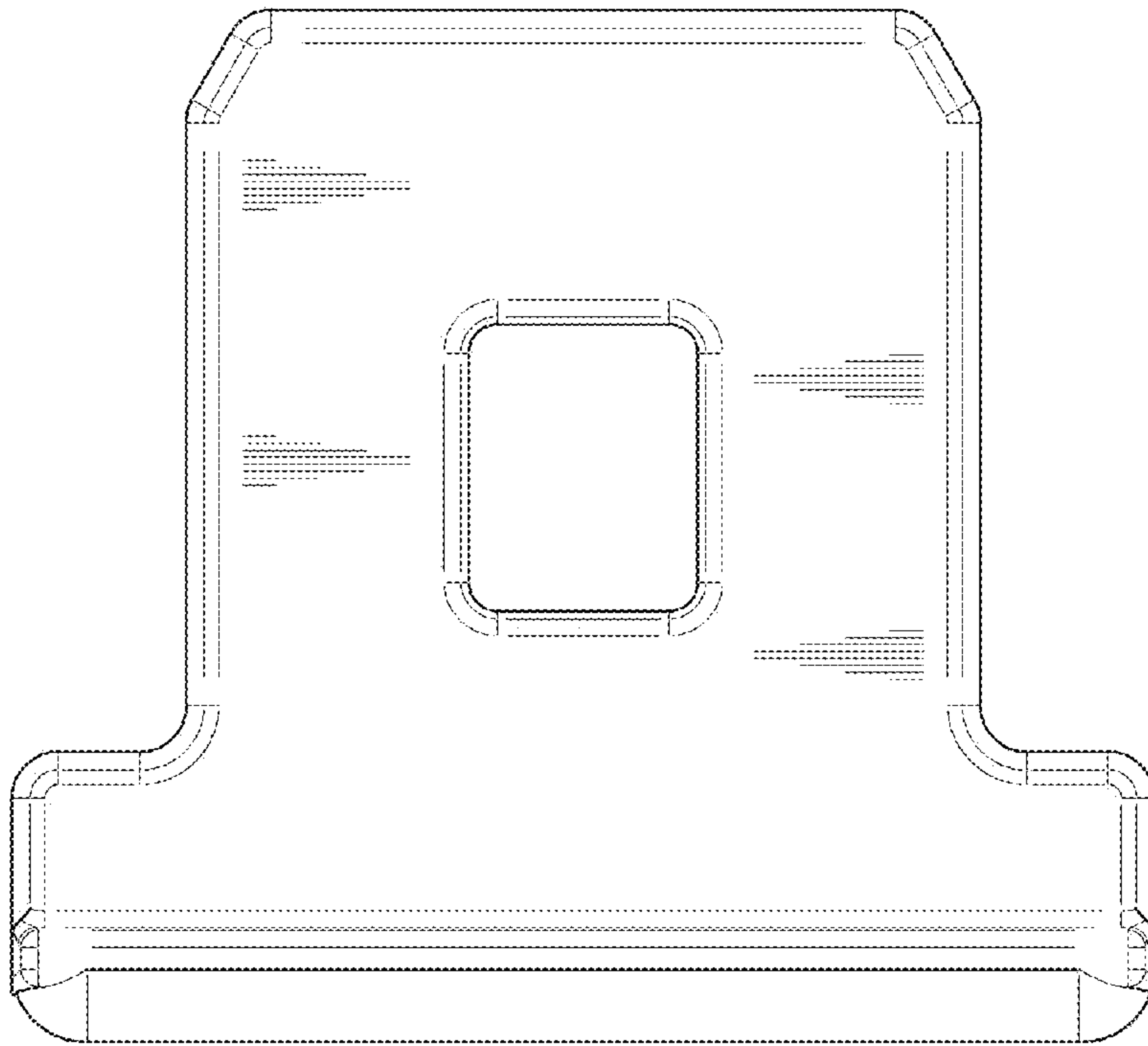


FIG. 3

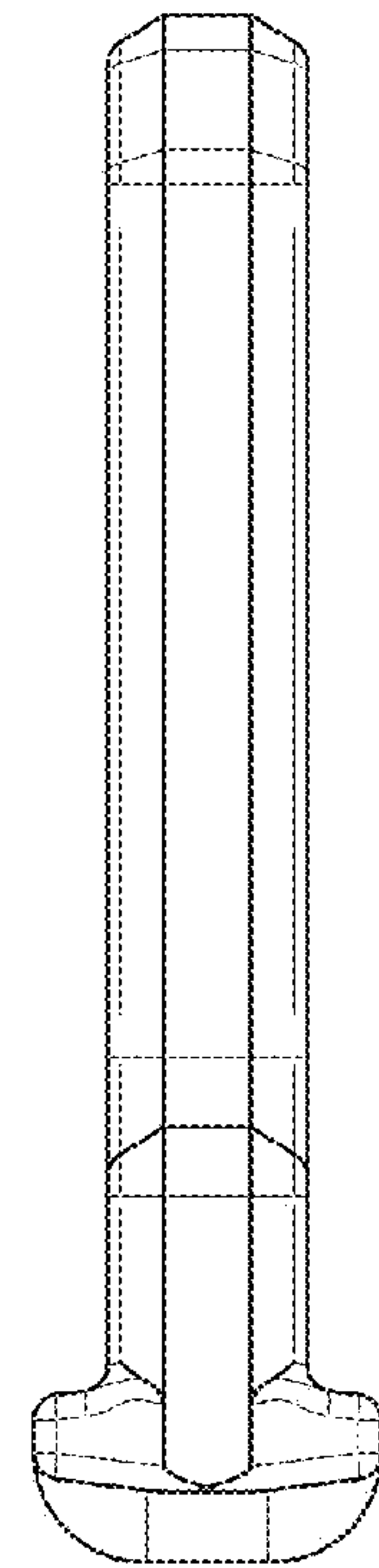


FIG. 5

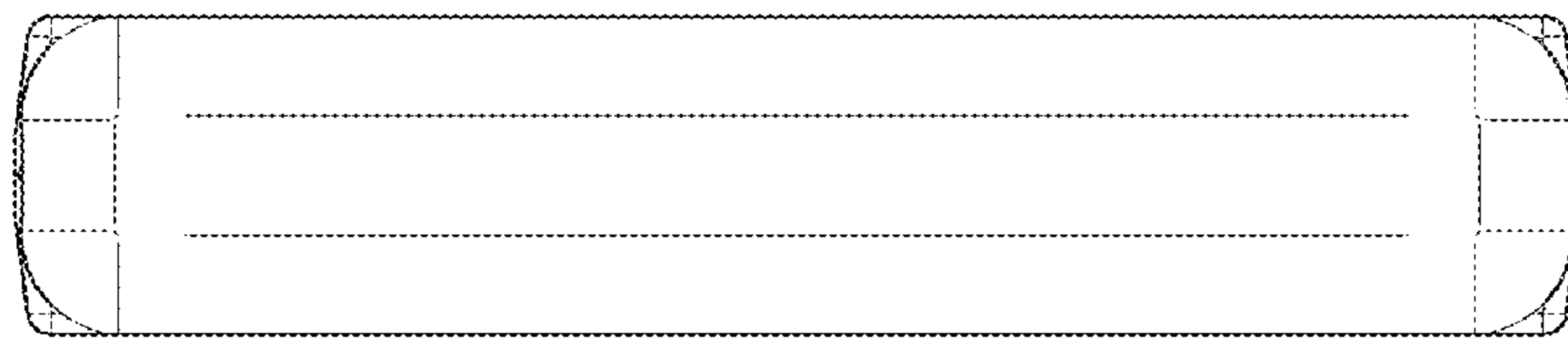


FIG. 4