



US00D726774S

(12) **United States Design Patent**
Polumati

(10) **Patent No.:** **US D726,774 S**

(45) **Date of Patent:** **** Apr. 14, 2015**

(54) **RIPPER ASSEMBLY**

Primary Examiner — Mark Goodwin

(75) Inventor: **Satish Kumar Polumati**, Peoria, IL
(US)

(74) *Attorney, Agent, or Firm* — Leydig, Voit & Mayer, Ltd.

(73) Assignee: **Caterpillar Inc.**, Peoria, IL (US)

(57) **CLAIM**

(**) Term: **14 Years**

The ornamental design for a ripper assembly, as shown and described.

(21) Appl. No.: **29/409,247**

DESCRIPTION

(22) Filed: **Dec. 21, 2011**

(51) **LOC (10) Cl.** **15-03**

(52) **U.S. Cl.**
USPC **D15/27**

(58) **Field of Classification Search**
USPC D15/27, 28; 37/455; 172/484, 663, 699,
172/824

See application file for complete search history.

FIG. 1 is a perspective view of a ripper assembly in a retracted position.

FIG. 2 is back elevational view of the ripper assembly of FIG. 1.

FIG. 3 is a front elevational view of the ripper assembly of FIG. 1.

FIG. 4 is a right side elevational view of the ripper assembly of FIG. 1.

FIG. 5 is a left side elevational view of the ripper assembly of FIG. 1.

FIG. 6 is a top plan view of the ripper assembly of FIG. 1.

FIG. 7 is a bottom plan view of the ripper assembly of FIG. 1.

FIG. 8 is a perspective view of the ripper assembly of FIG. 1 in an extended position.

FIG. 9 is back elevational view of the ripper assembly of FIG. 8.

FIG. 10 is a front elevational view of the ripper assembly of FIG. 8.

FIG. 11 is a right side elevational view of the ripper assembly of FIG. 8.

FIG. 12 is a left side elevational view of the ripper assembly of FIG. 8.

FIG. 13 is a top plan view of the ripper assembly of FIG. 8; and,

FIG. 14 is a bottom plan view of the ripper assembly of FIG. 8.

The broken lines in the views depict environmental structure that is shown for illustrative purposes only and does not form any part of the claimed design.

(56) **References Cited**

U.S. PATENT DOCUMENTS

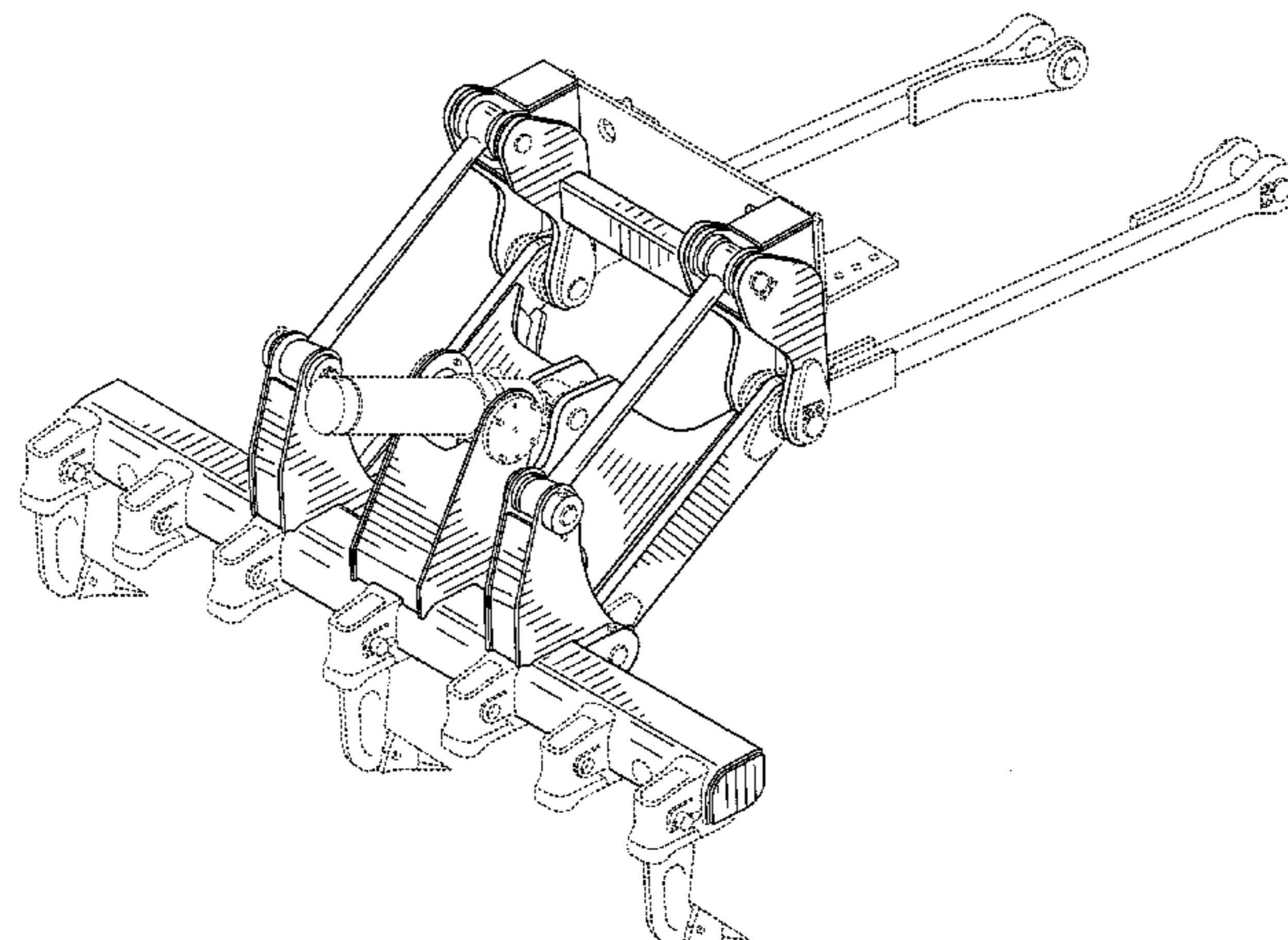
2,455,727	A	12/1948	Bunting	
3,038,267	A	6/1962	Helton et al.	
3,539,018	A *	11/1970	Sprenkel	172/484
3,973,632	A *	8/1976	Torazzi	172/464
4,013,129	A *	3/1977	Wilkinson	172/464
4,217,962	A *	8/1980	Schaefer	172/197
4,321,970	A *	3/1982	Thigpen	172/464
4,351,397	A *	9/1982	Winker	172/464
D277,677	S *	2/1985	Linger	D15/27
D295,979	S *	5/1988	Baeta	D15/27
4,817,731	A *	4/1989	Karlak	172/464
4,834,461	A *	5/1989	Fidler et al.	299/37.5
4,984,850	A *	1/1991	Jensen	299/37.5
5,072,993	A *	12/1991	Dickerson	299/37.5
D368,101	S *	3/1996	Eubanks	D15/27
5,538,388	A *	7/1996	Bergkamp et al.	414/523
6,311,784	B1 *	11/2001	Clarke et al.	172/463

(Continued)

FOREIGN PATENT DOCUMENTS

GB 2061682 A 5/1981

1 Claim, 14 Drawing Sheets



US D726,774 S

Page 2

(56)

References Cited

U.S. PATENT DOCUMENTS

D552,630 S * 10/2007 Garrison et al. D15/27
7,445,053 B2 * 11/2008 Matsumoto et al. 172/699

D623,668 S * 9/2010 Bissell D15/27
D625,340 S * 10/2010 Kovach et al. D15/11
2009/0199441 A1 8/2009 Jorgensen et al.

* cited by examiner

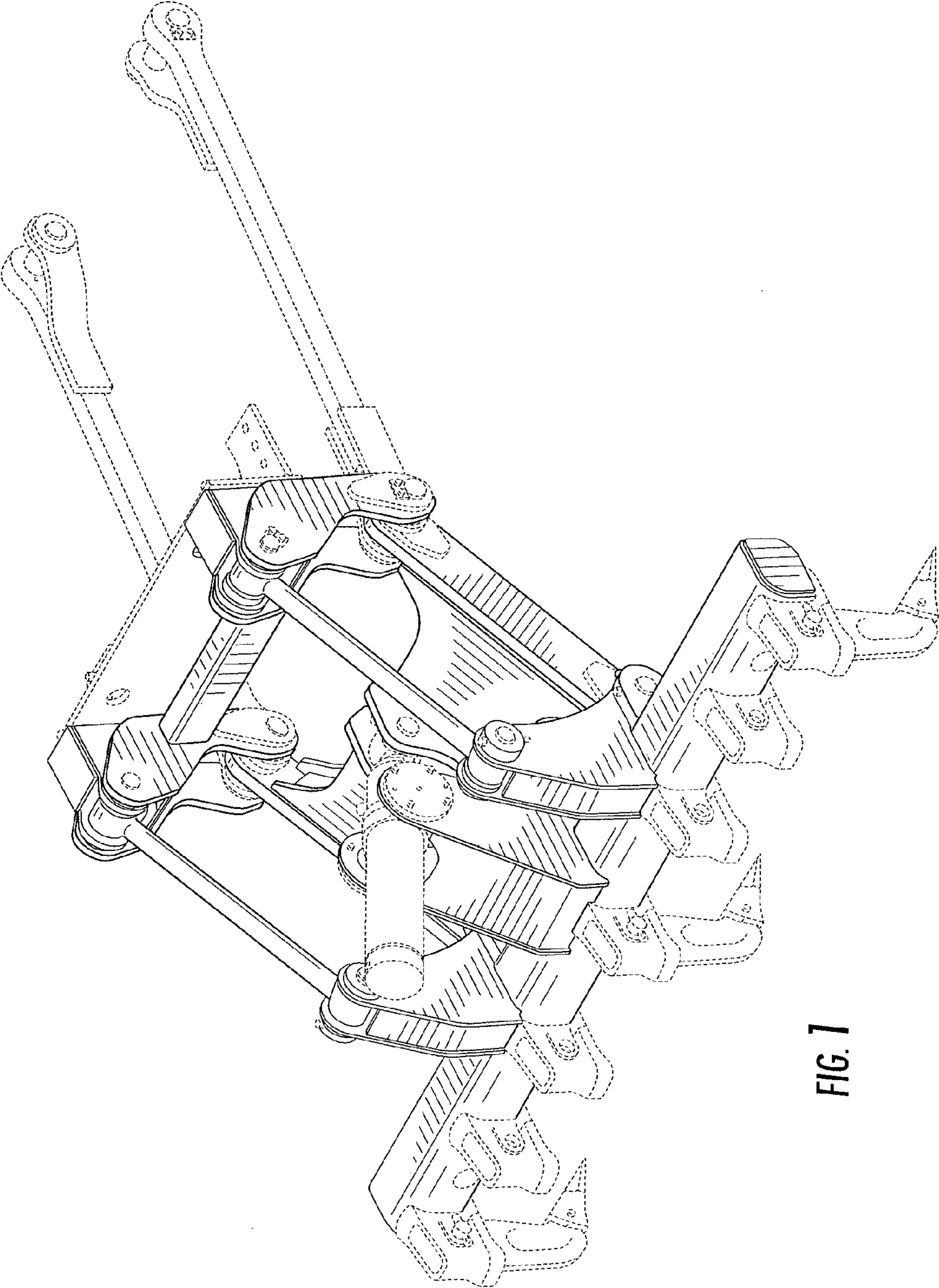


FIG. 1

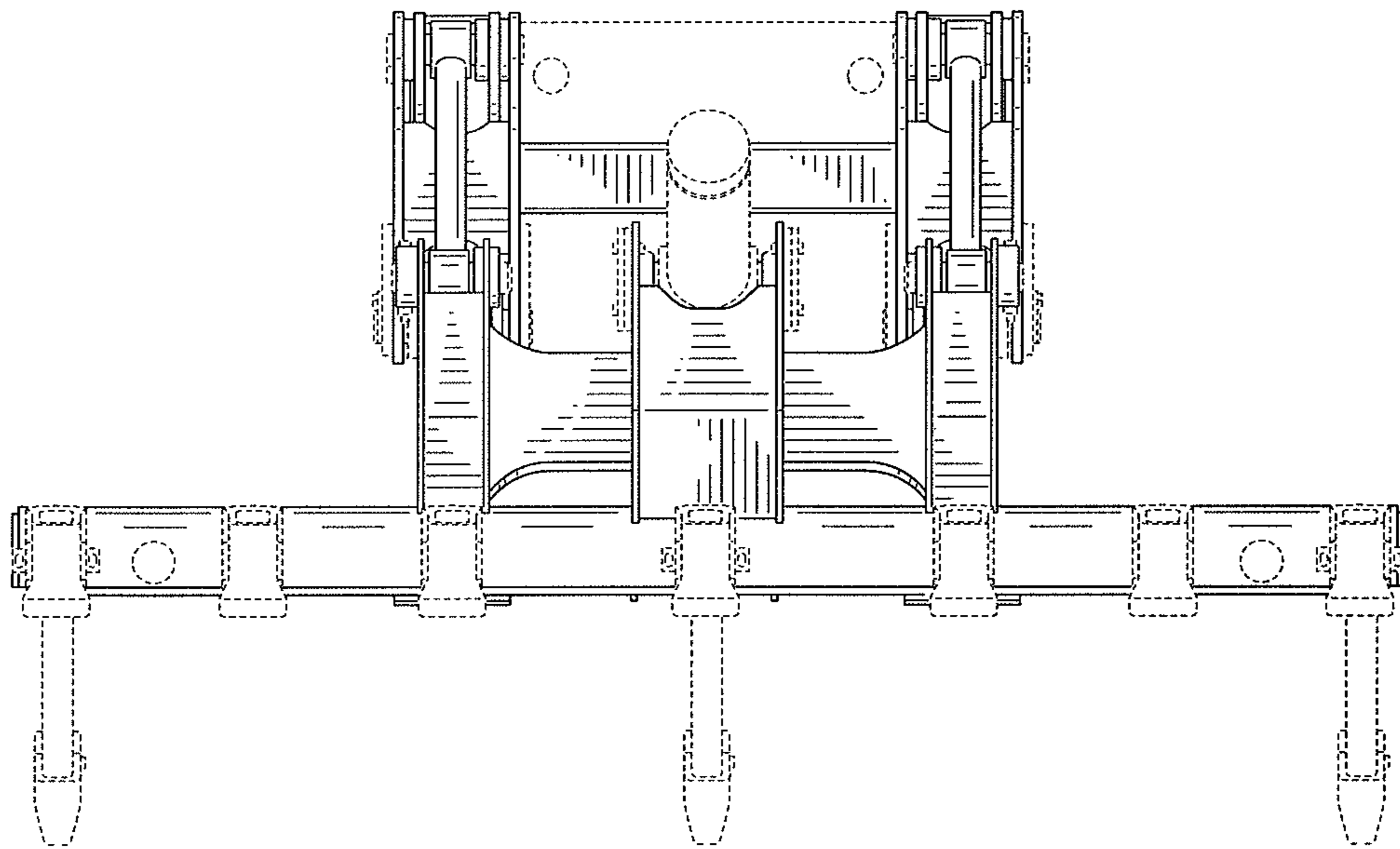


FIG. 2

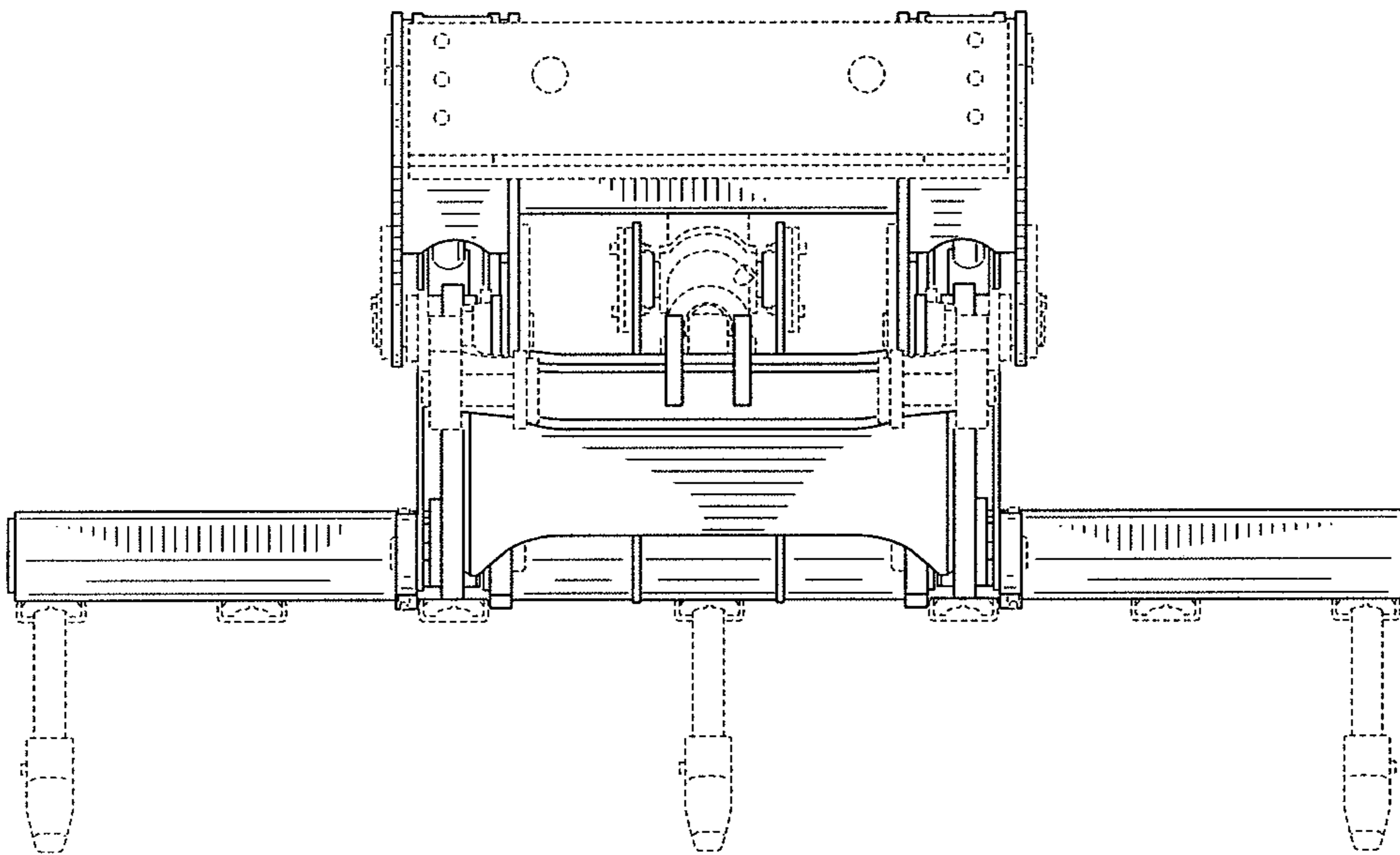


FIG. 3

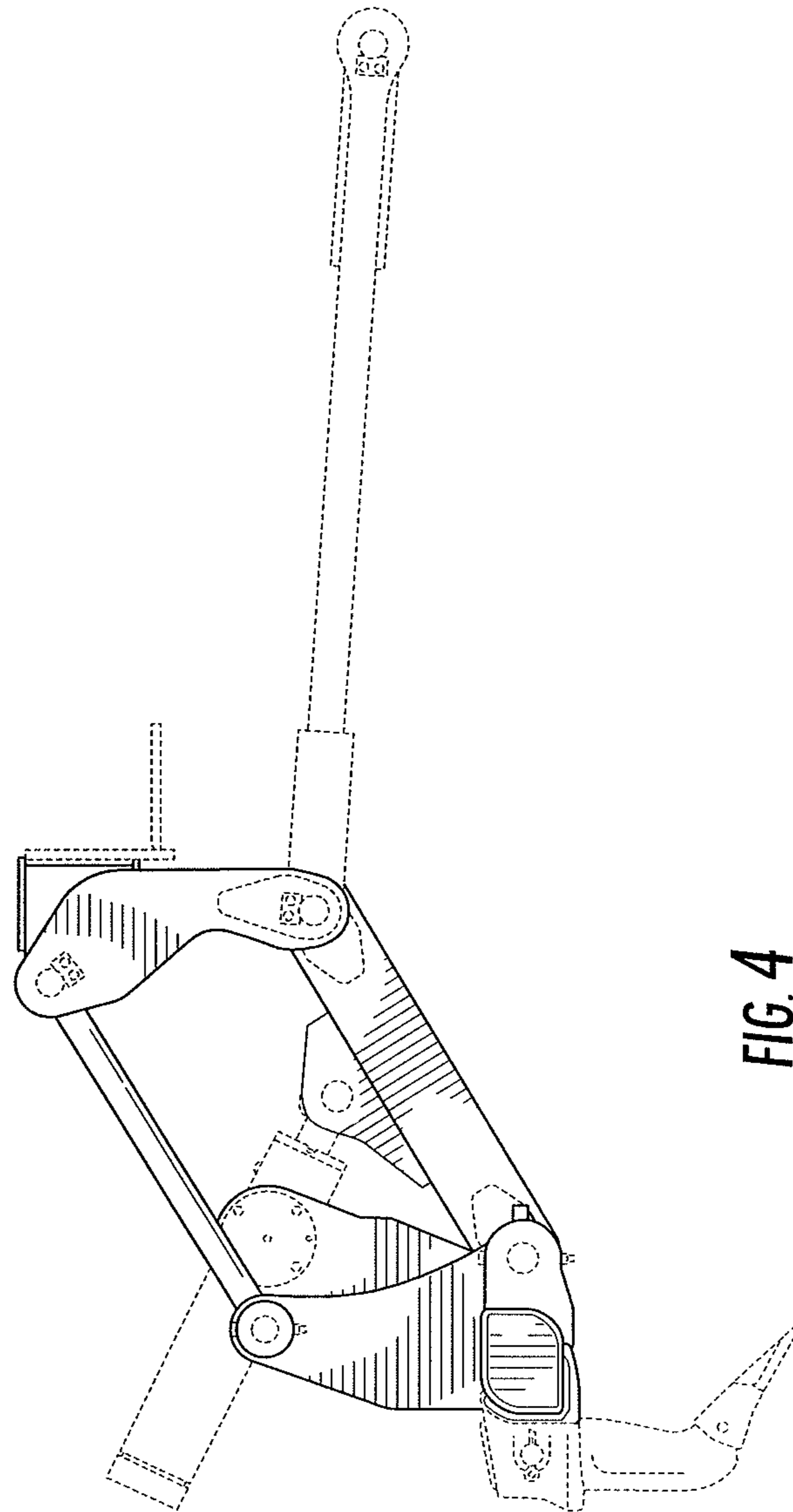


FIG. 4

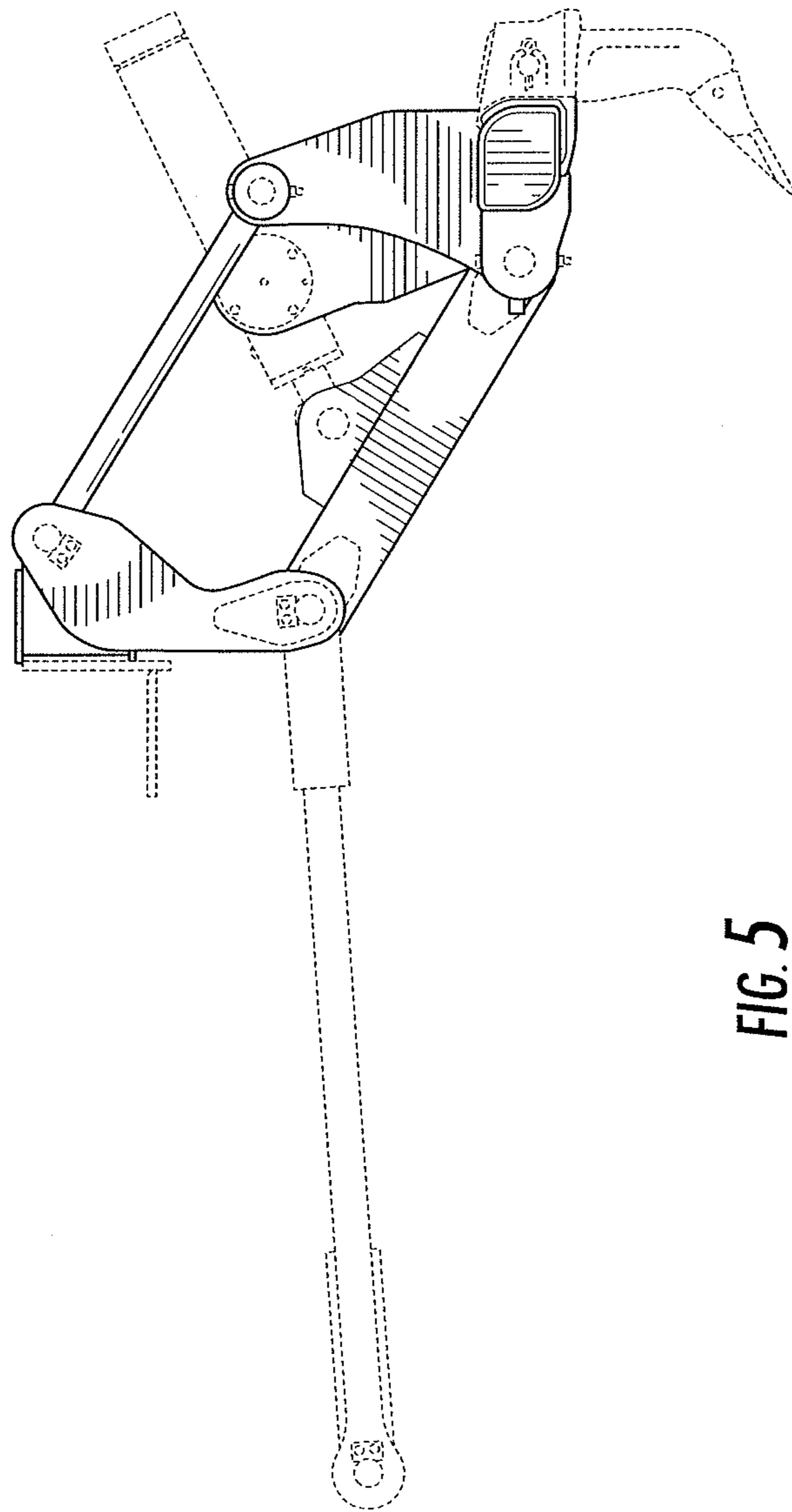


FIG. 5

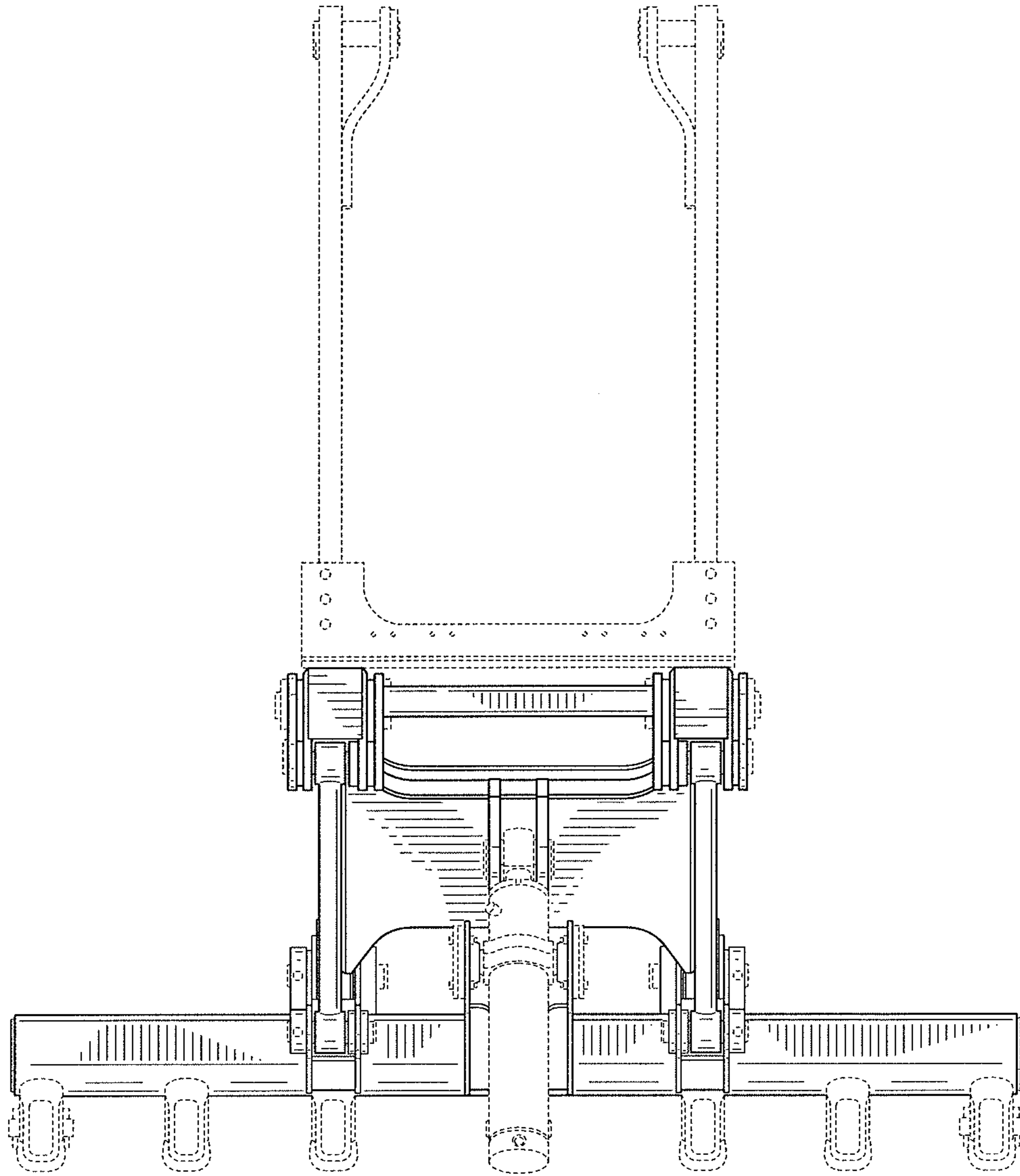


FIG. 6

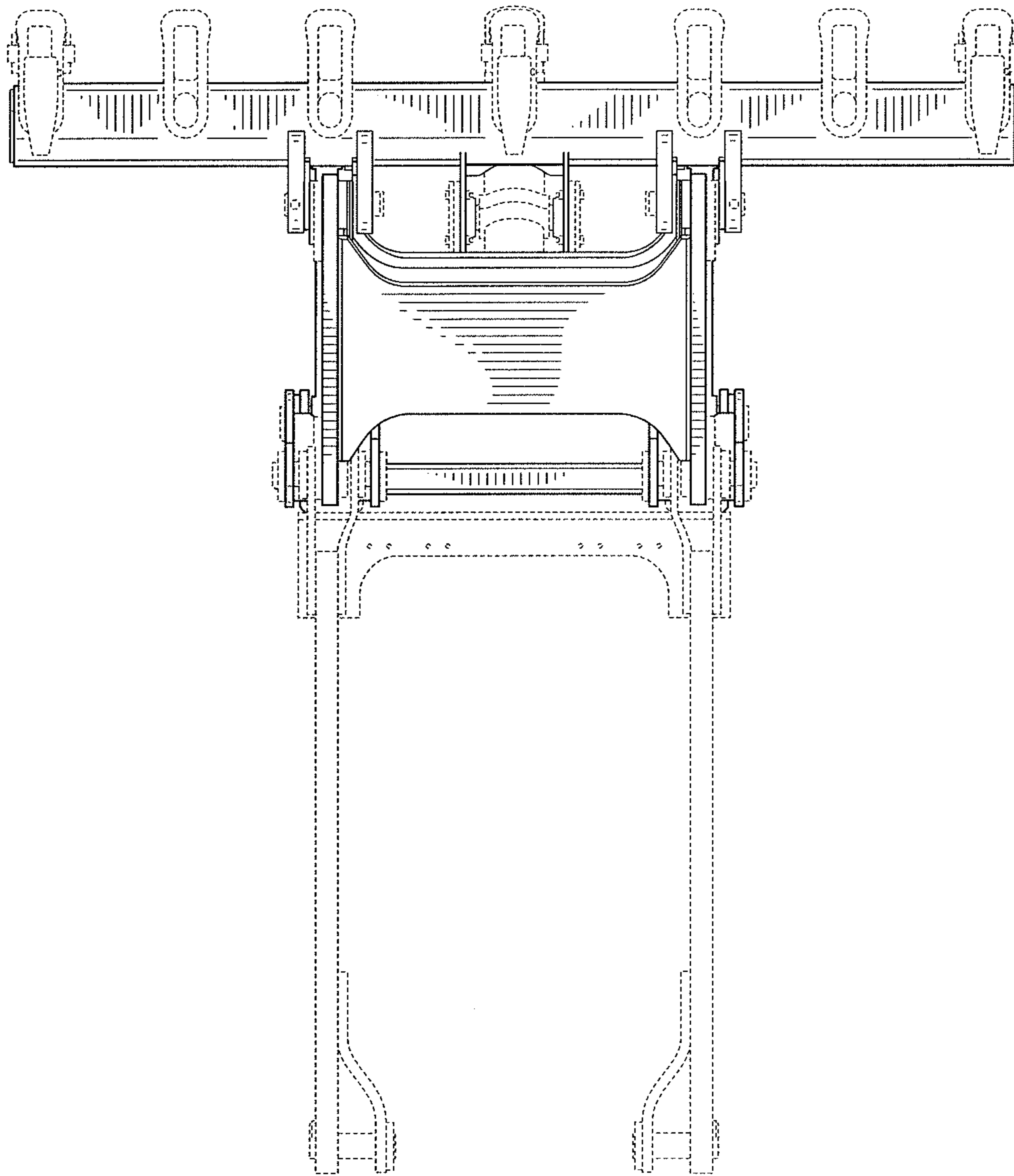


FIG. 7

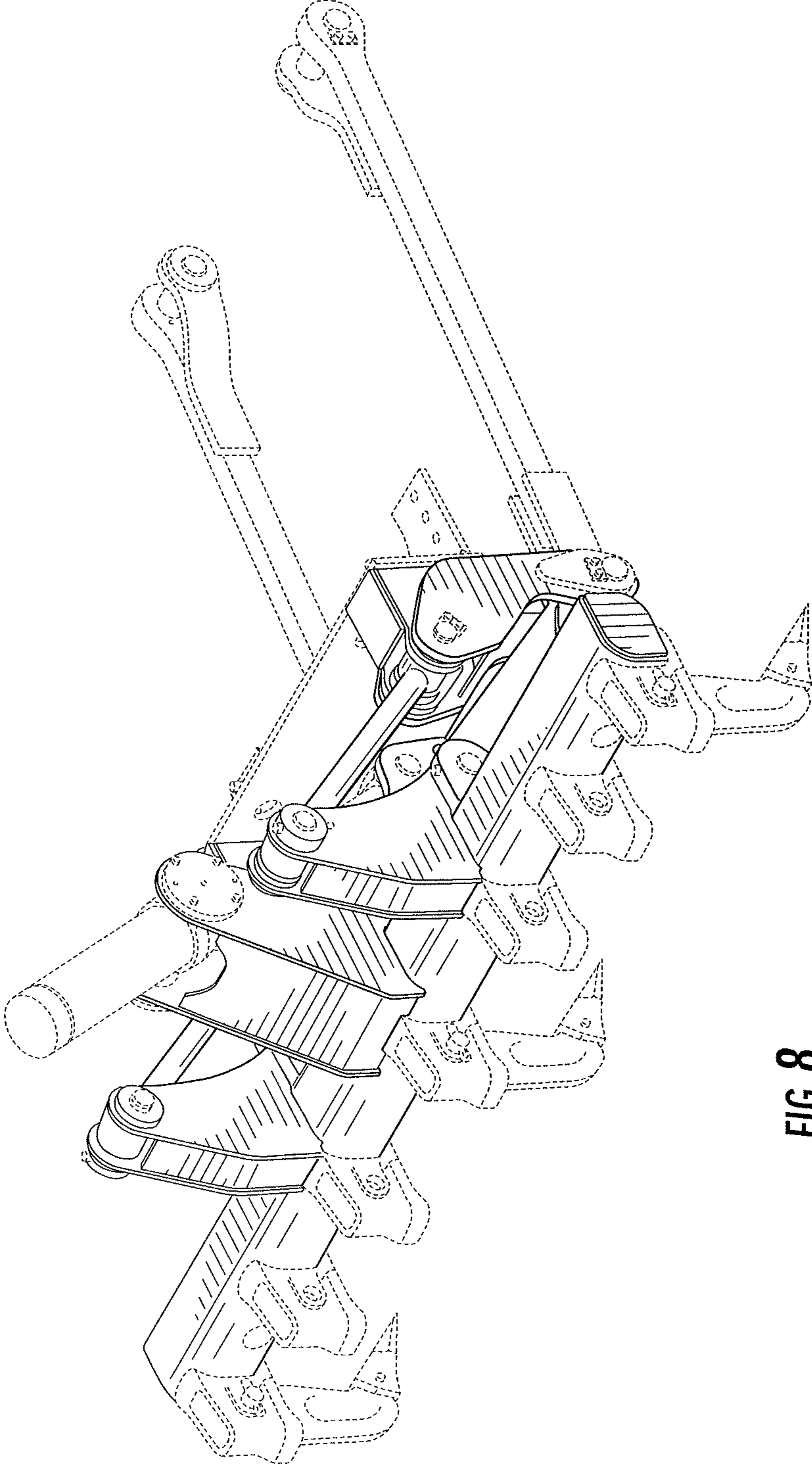


FIG. 8

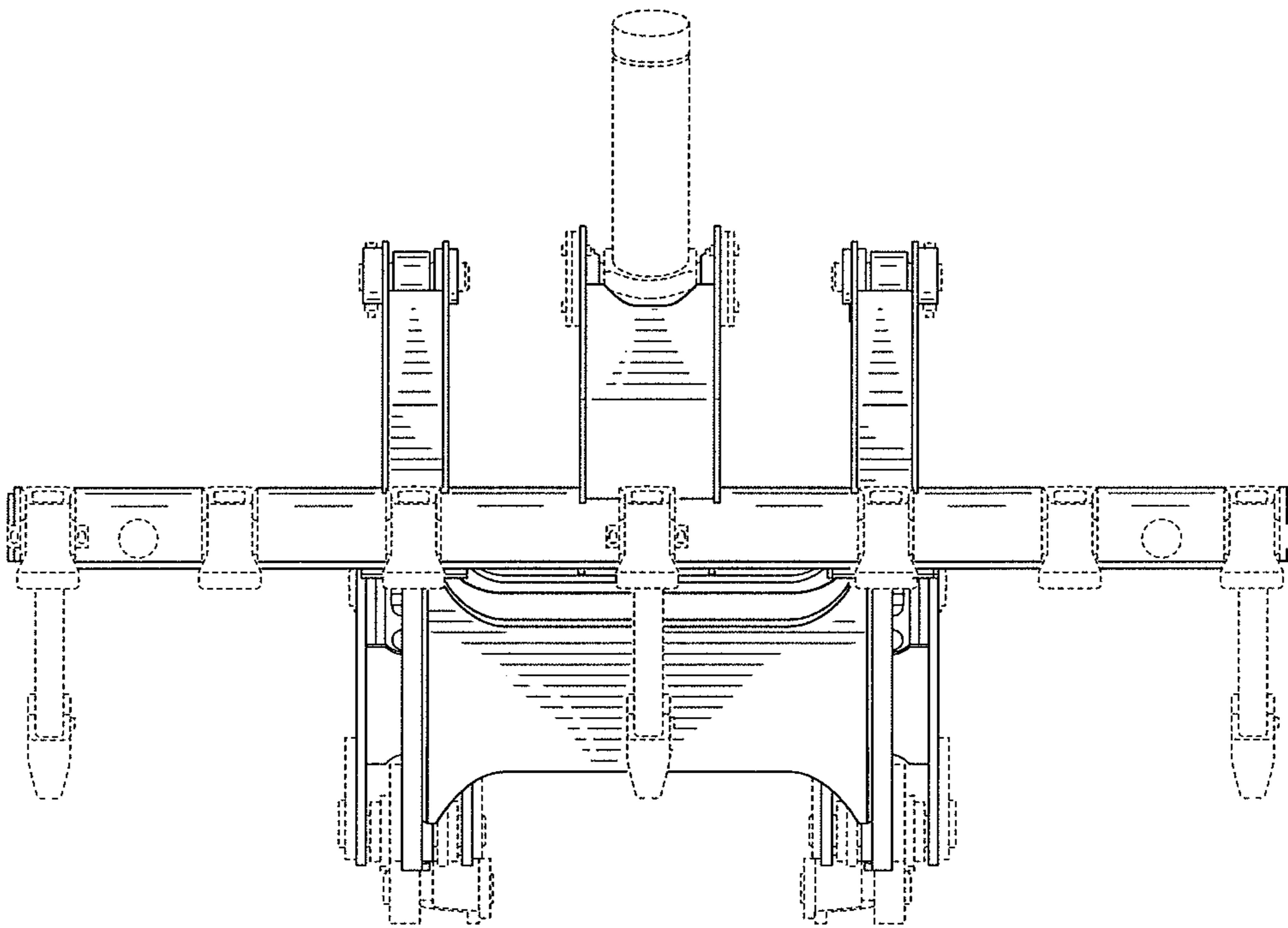


FIG. 9

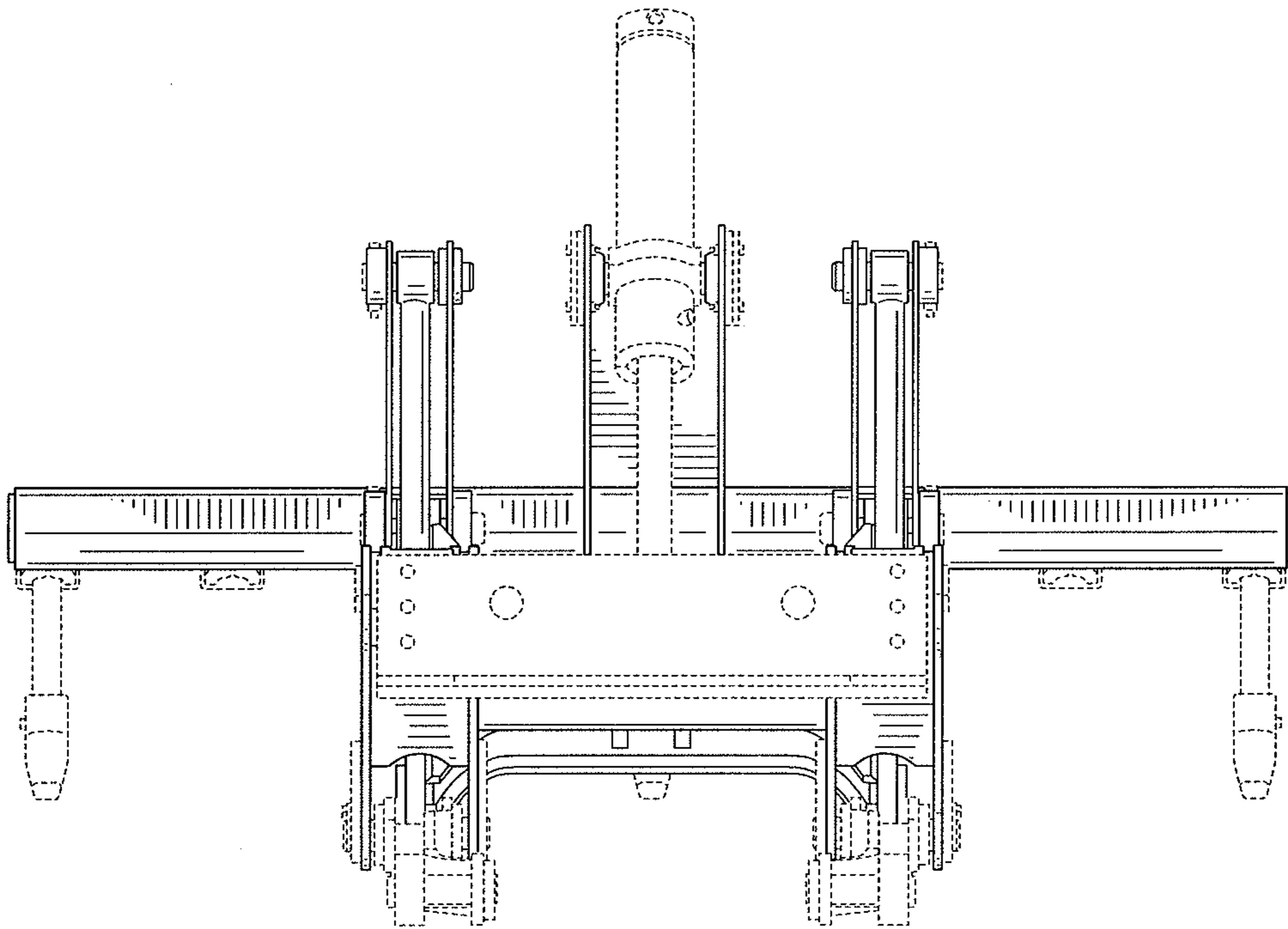


FIG. 10

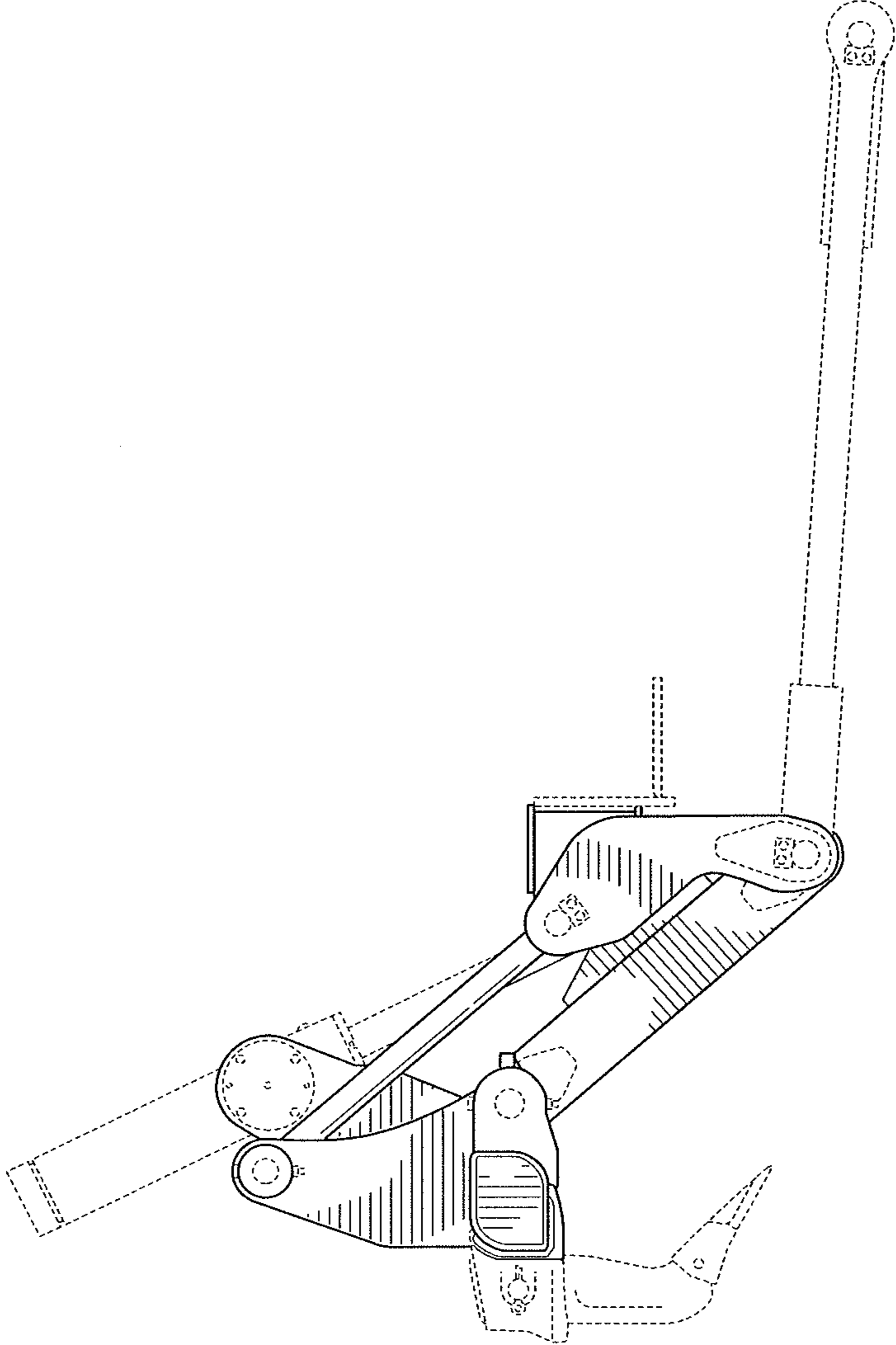


FIG. 11

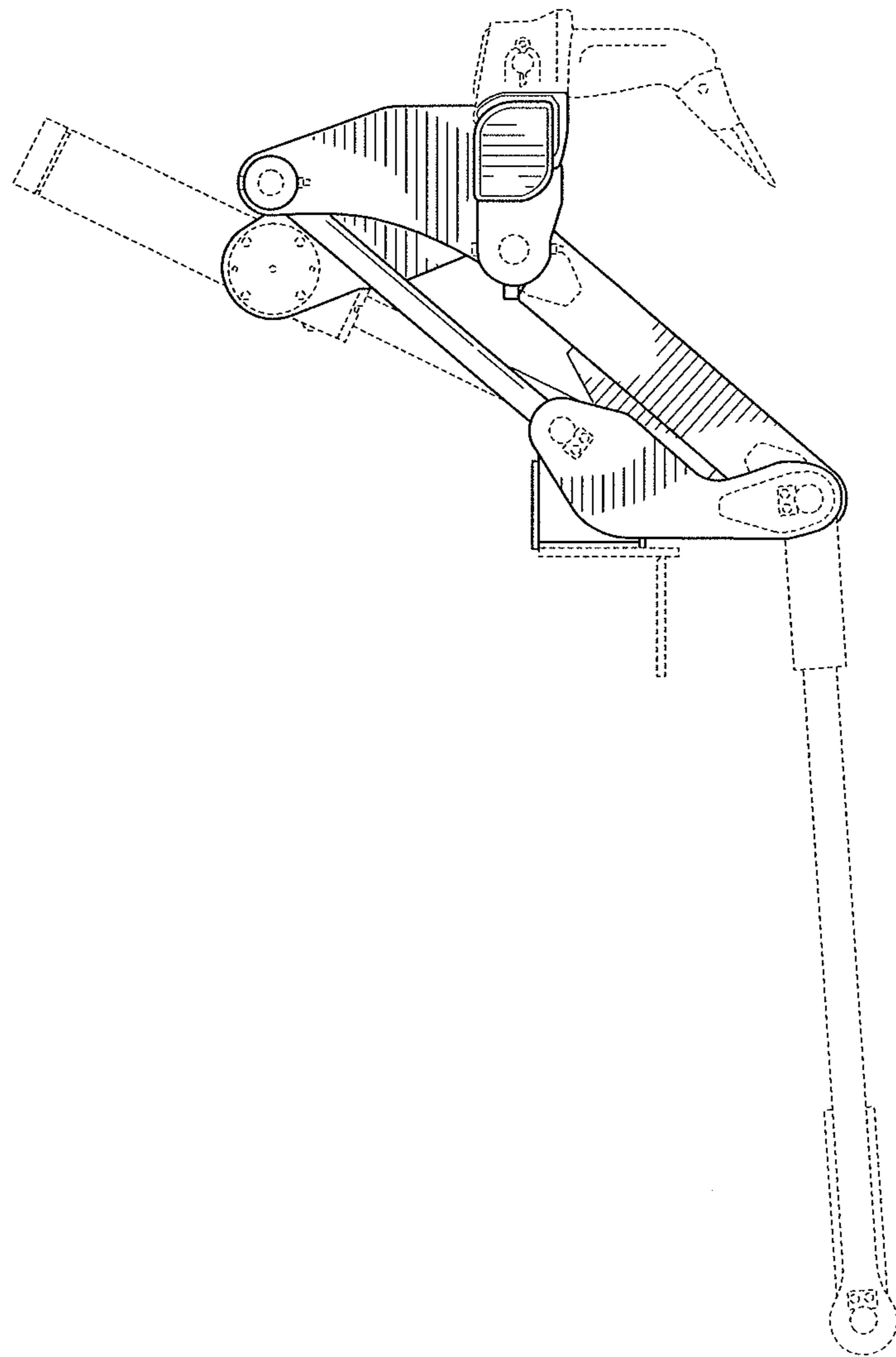


FIG. 12

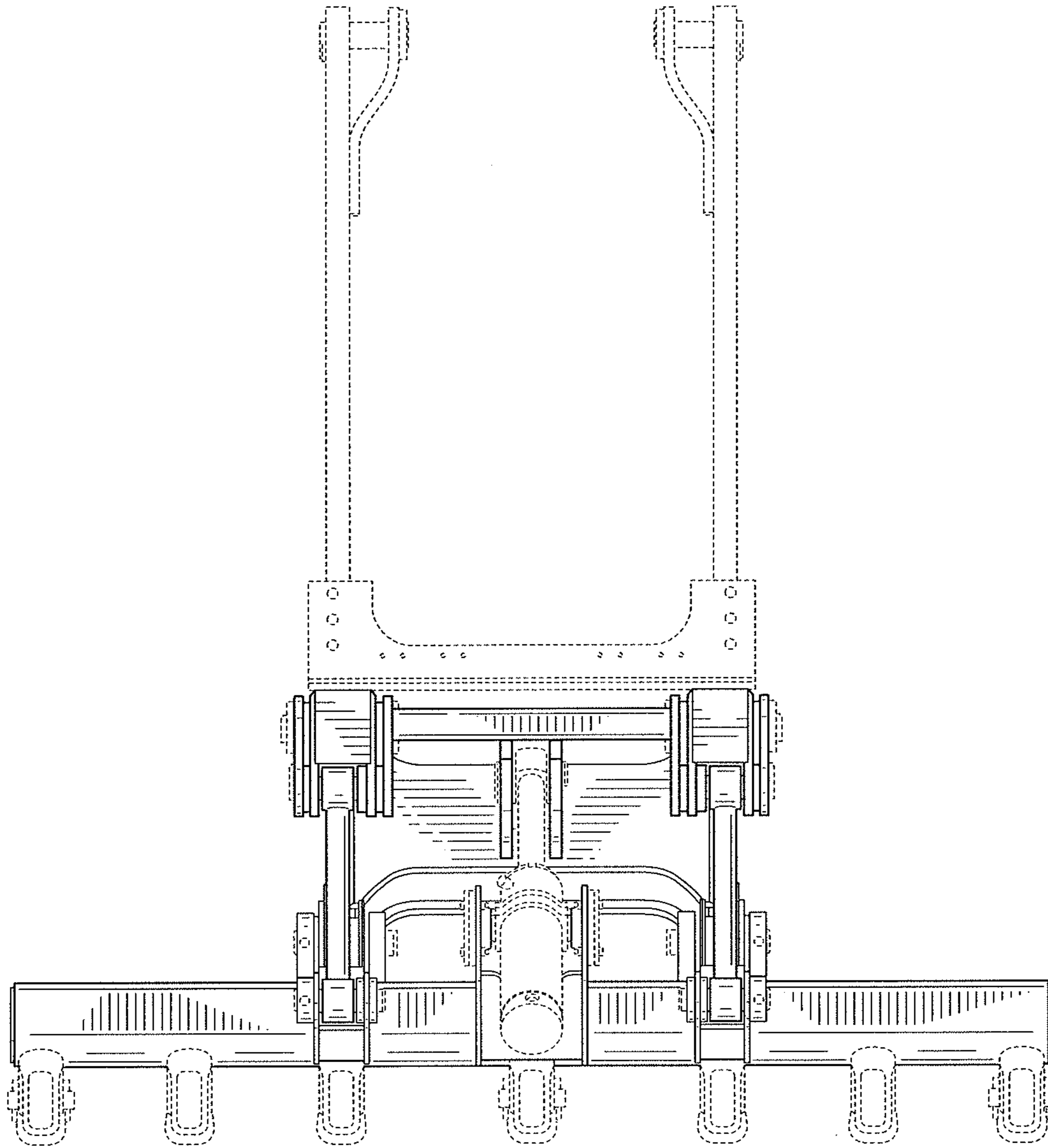


FIG. 13

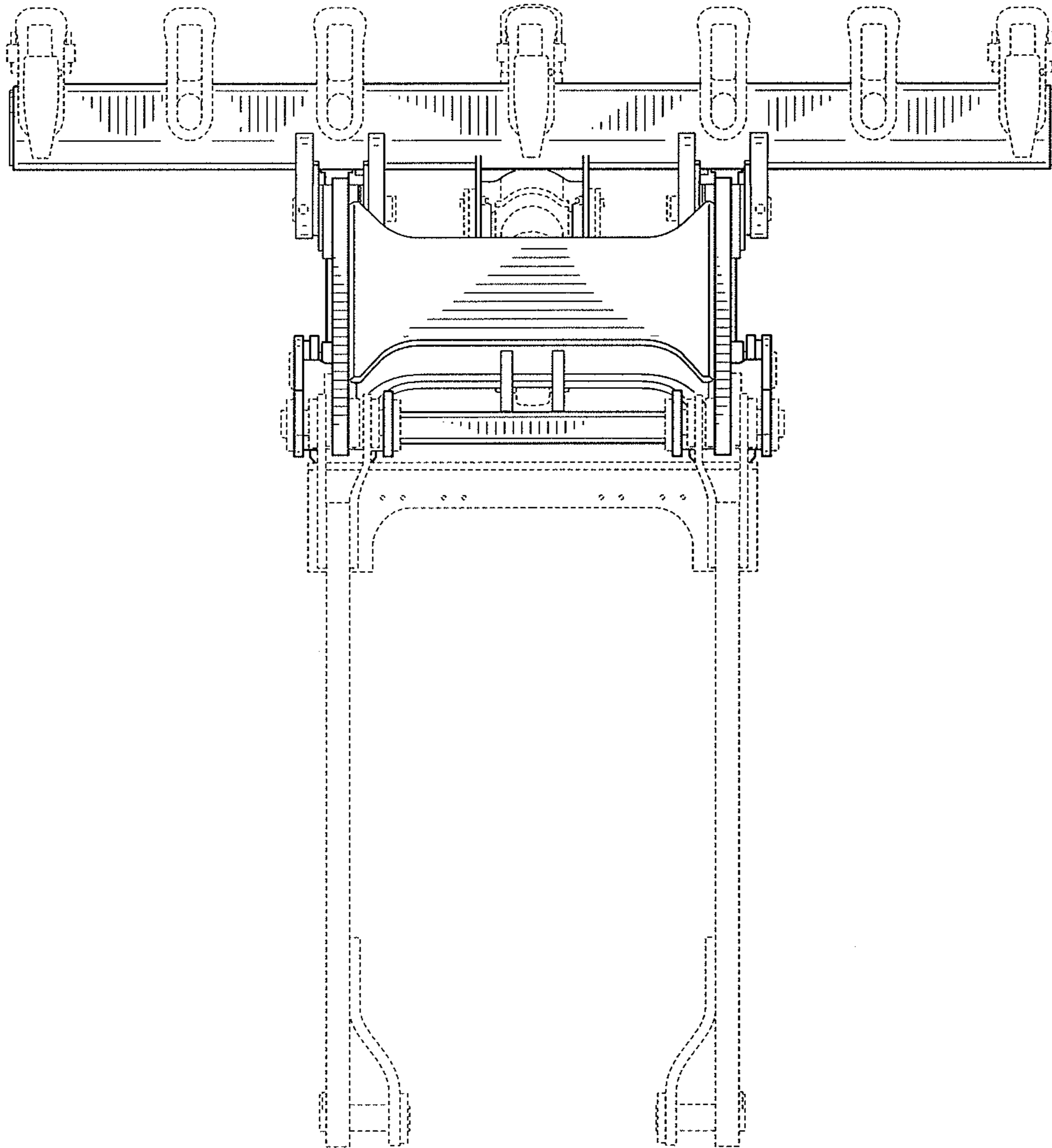


FIG. 14