



US00D726773S

(12) **United States Design Patent**
Rawson

(10) **Patent No.:** **US D726,773 S**
(45) **Date of Patent:** **** Apr. 14, 2015**

- (54) **NUTRIENT FUSION SYSTEM**
- (71) Applicant: **Ronald L. Rawson**, Littleton, CO (US)
- (72) Inventor: **Ronald L. Rawson**, Littleton, CO (US)
- (**) Term: **14 Years**
- (21) Appl. No.: **29/442,851**
- (22) Filed: **May 29, 2013**
- (51) **LOC (10) Cl.** **15-03**
- (52) **U.S. Cl.**
USPC **D15/13; D15/28**
- (58) **Field of Classification Search**
USPC D15/11, 13, 17, 21, 27, 28; 111/118,
111/119, 127; 52/1, 222; 47/17, 48.5, 62 W
See application file for complete search history.

5,271,342	A *	12/1993	Neidhardt	111/119
5,357,883	A *	10/1994	Depault	111/118
5,385,106	A *	1/1995	Langshaw	111/127
5,396,851	A *	3/1995	Beaujot	111/187
5,402,945	A *	4/1995	Swanson, Jr.	239/706
5,452,673	A *	9/1995	Bruce	111/119
5,473,999	A *	12/1995	Rawson et al.	111/127
5,618,268	A *	4/1997	Raines et al.	604/82
5,697,904	A *	12/1997	Raines et al.	604/82
5,862,628	A *	1/1999	Takashima	47/65.8
6,006,684	A *	12/1999	Whalen et al.	111/121
6,061,957	A *	5/2000	Takashima	47/66.1
6,167,820	B1 *	1/2001	Kimberly et al.	111/119
D544,887	S *	6/2007	Ariaz	D15/27
7,823,328	B2	11/2010	Walhoud	
2009/0255451	A1 *	10/2009	Wold et al.	111/118
2010/0282141	A1 *	11/2010	Wollenhaupt et al.	111/118
2013/0233215	A1 *	9/2013	Cruson et al.	111/119
2014/0048002	A1 *	2/2014	Grimm et al.	111/127

* cited by examiner

Primary Examiner — Mark Goodwin

(56) **References Cited**
U.S. PATENT DOCUMENTS

2,431,890	A *	12/1947	Raines	47/62 A
3,326,152	A *	6/1967	Frantzen	111/123
3,834,330	A *	9/1974	Wallace	111/126
3,863,842	A *	2/1975	McFarland et al.	239/283
4,033,271	A *	7/1977	Williams et al.	111/123
4,059,922	A *	11/1977	DiGiacinto	47/82
4,129,082	A *	12/1978	Betulus	111/123
4,141,301	A *	2/1979	Coldren	111/123
4,332,105	A	6/1982	Nir	
4,592,294	A *	6/1986	Dietrich et al.	111/123
4,638,748	A *	1/1987	Kopecky	111/124
4,683,826	A *	8/1987	Solie et al.	111/124
4,711,187	A *	12/1987	Schultz	111/123
5,001,859	A	3/1991	Sprung	
5,259,327	A *	11/1993	Thompson et al.	111/118

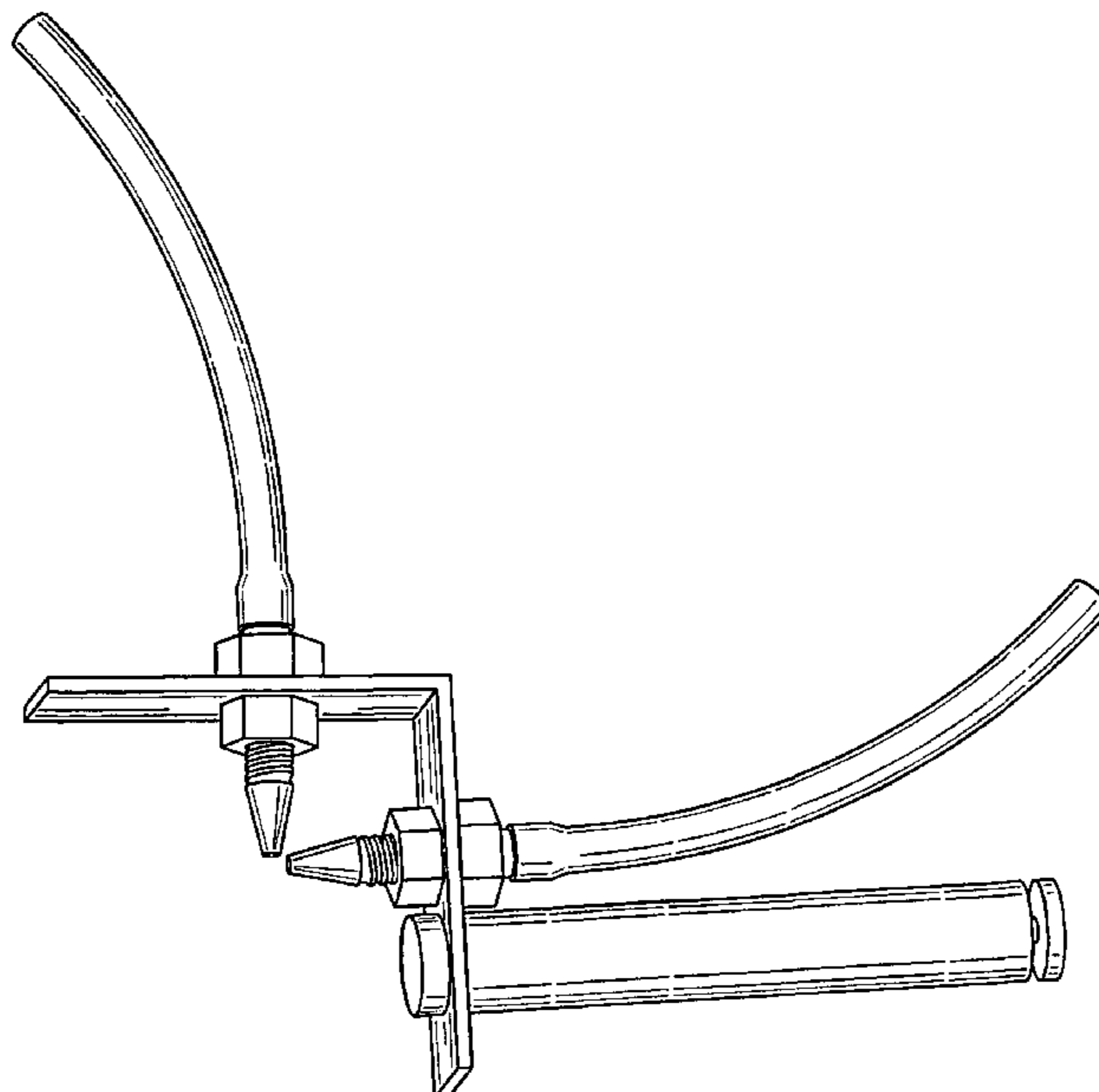
(57) **CLAIM**

The ornamental design for a nutrient fusion system, as shown and described.

DESCRIPTION

FIG. 1 is a perspective view of the nutrient fusion system of my new design.
 FIG. 2 is an elevational view of the front thereof. An elevational view of the rear is a mirror image thereof.
 FIG. 3 is a top plan view thereof.
 FIG. 4 is a bottom plan view thereof.
 FIG. 5 is an elevational view of the left side thereof; and,
 FIG. 6 is an elevational view of the right side thereof.

1 Claim, 4 Drawing Sheets



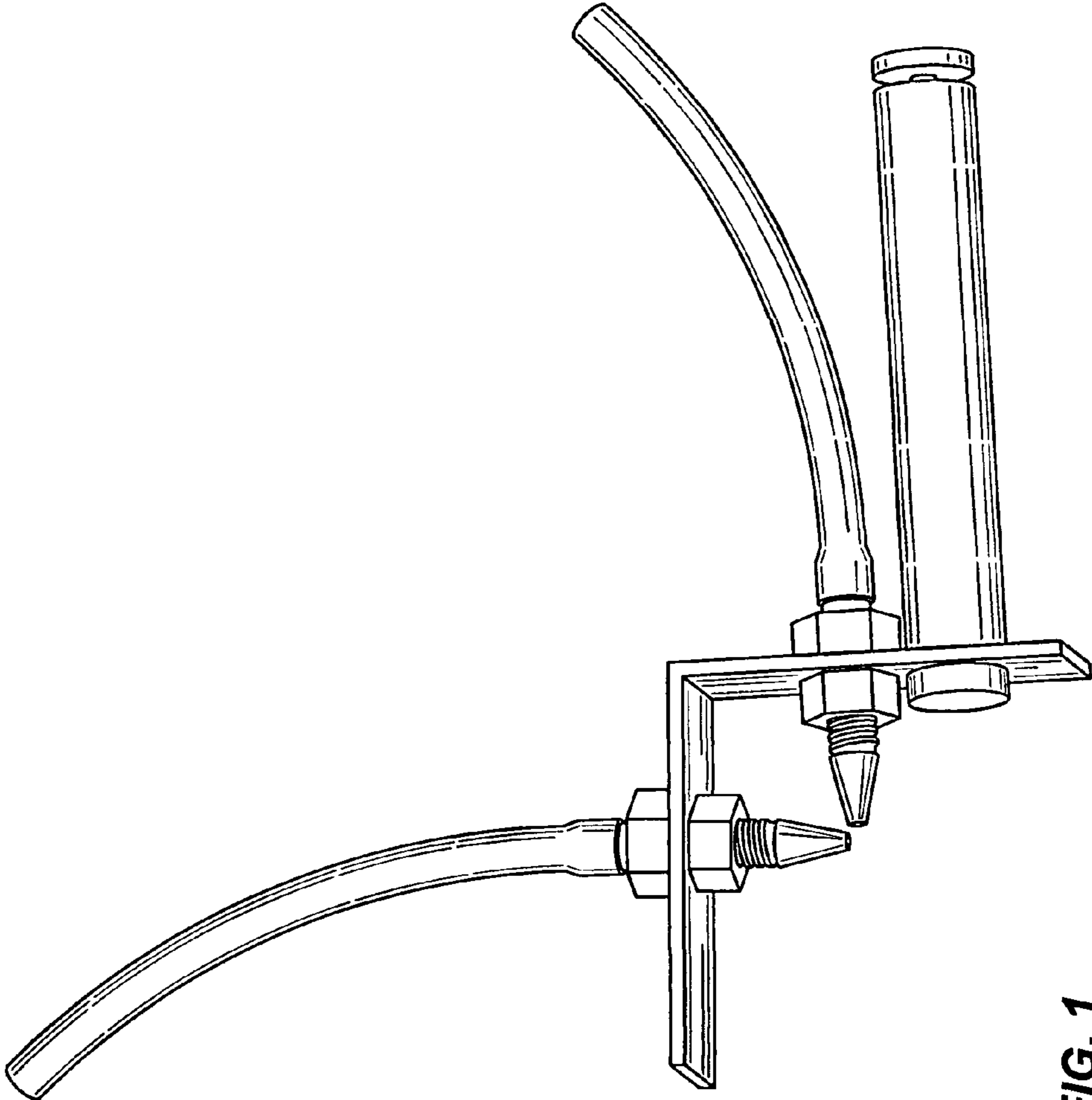


FIG. 1

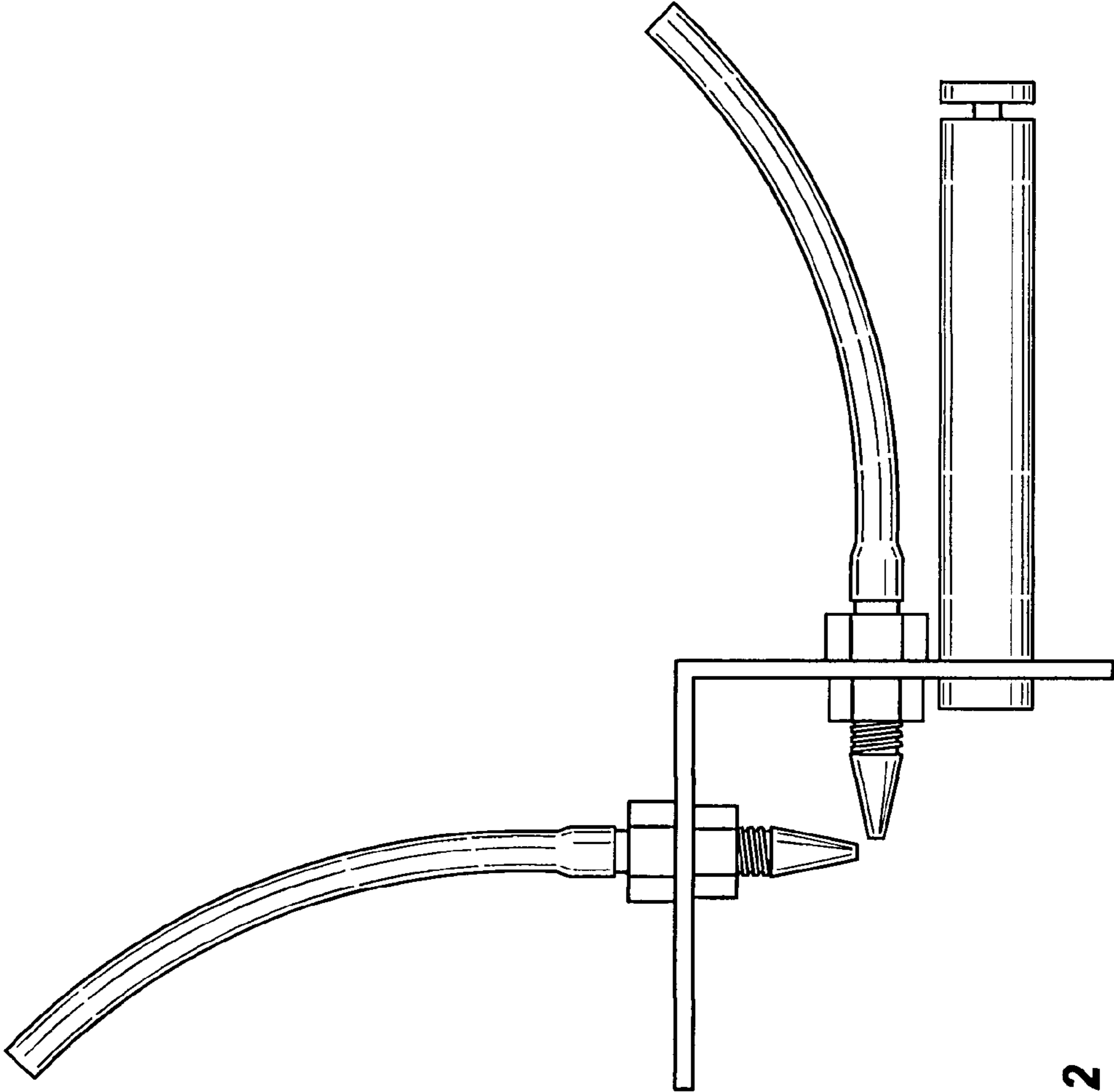


FIG. 2

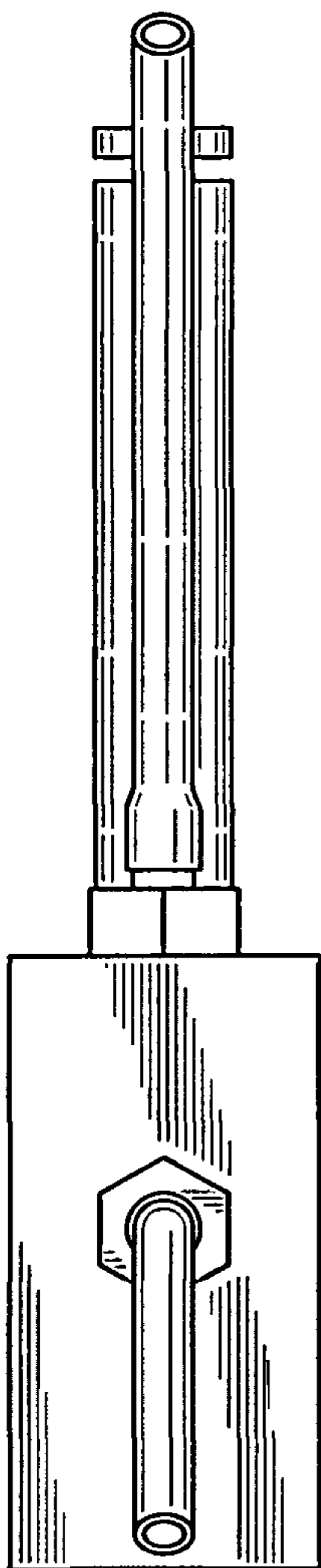


FIG. 3

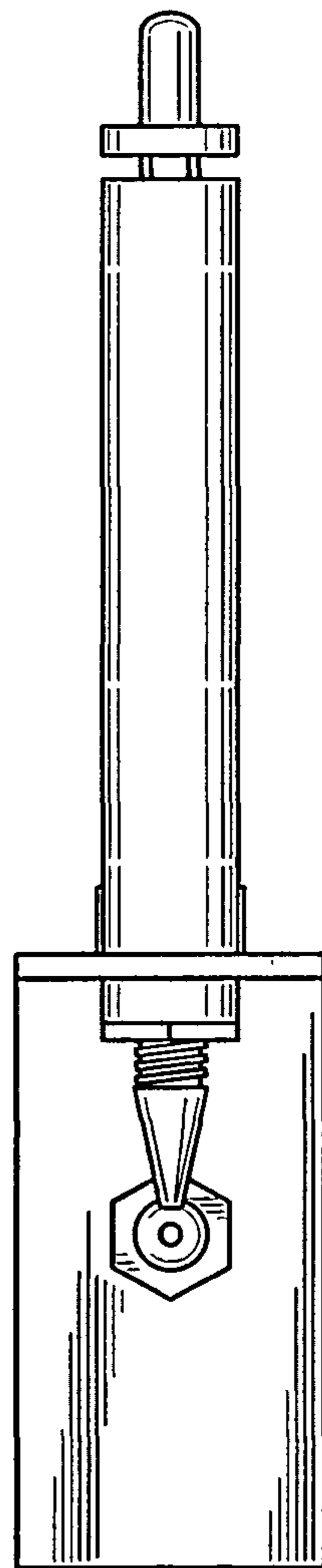


FIG. 4

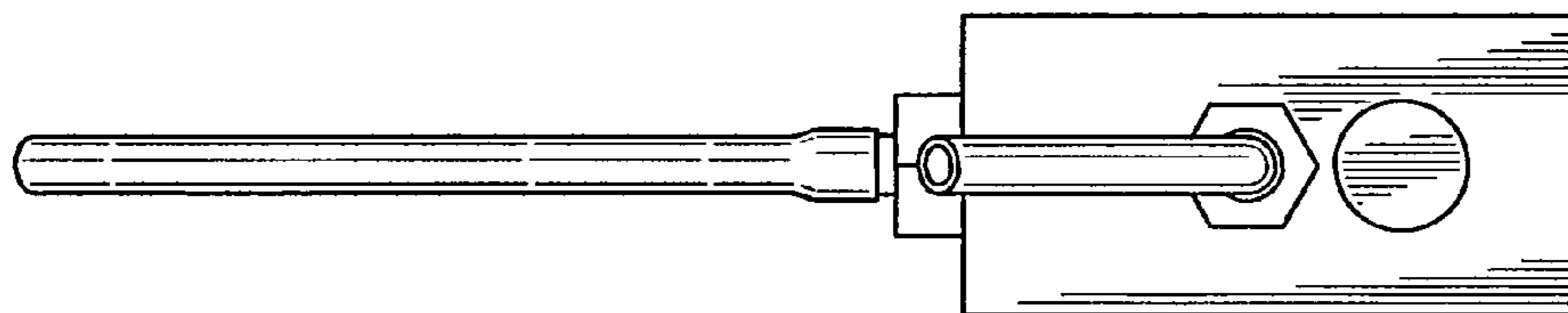


FIG. 6

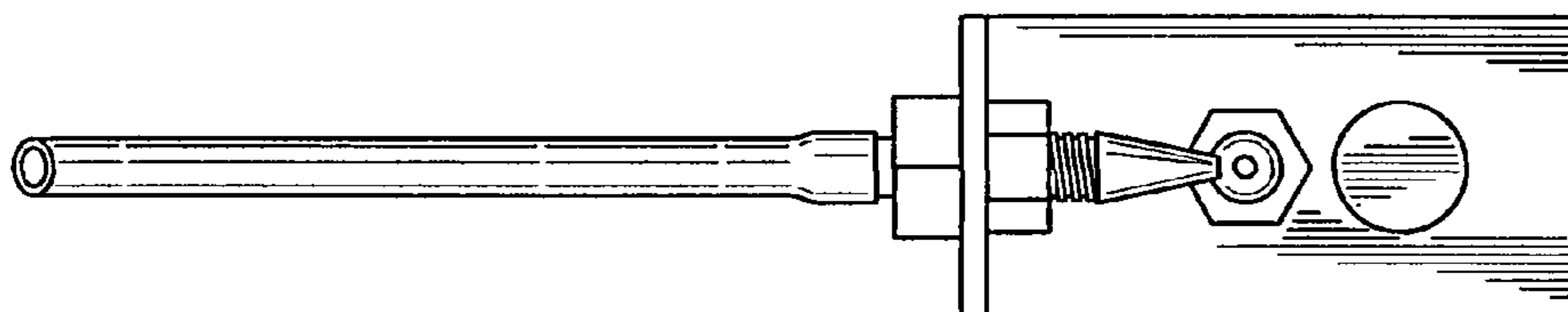


FIG. 5