

US00D726772S

(12) **United States Design Patent**
Souney

(10) **Patent No.:** **US D726,772 S**
(45) **Date of Patent:** **** Apr. 14, 2015**

(54) **PUMP CASE**

(56) **References Cited**

(71) Applicant: **Currie Medical Specialties, Inc.**,
Rancho Cucamonga, CA (US)

U.S. PATENT DOCUMENTS

(72) Inventor: **Sean Souney**, Rancho Cucamonga, CA
(US)

D471,209 S * 3/2003 Wang D15/9
D672,367 S * 12/2012 Stansbury et al. D15/7
D689,523 S * 9/2013 Galbraith et al. D15/7
D700,915 S * 3/2014 Damhuis et al. D15/7

(73) Assignee: **Carrie Medical Specialties, Inc.**,
Rancho Cucamonga, CA (US)

* cited by examiner

(**) Term: **14 Years**

Primary Examiner — Ralf Seifert

(21) Appl. No.: **29/502,069**

(74) *Attorney, Agent, or Firm* — Paul B. Heysens; Ater
Wynne LLP

(22) Filed: **Sep. 11, 2014**

(57) **CLAIM**

The ornamental design for pump case, as shown and
described.

(51) **LOC (10) Cl.** **15-02**

DESCRIPTION

(52) **U.S. Cl.**
USPC **D15/7**

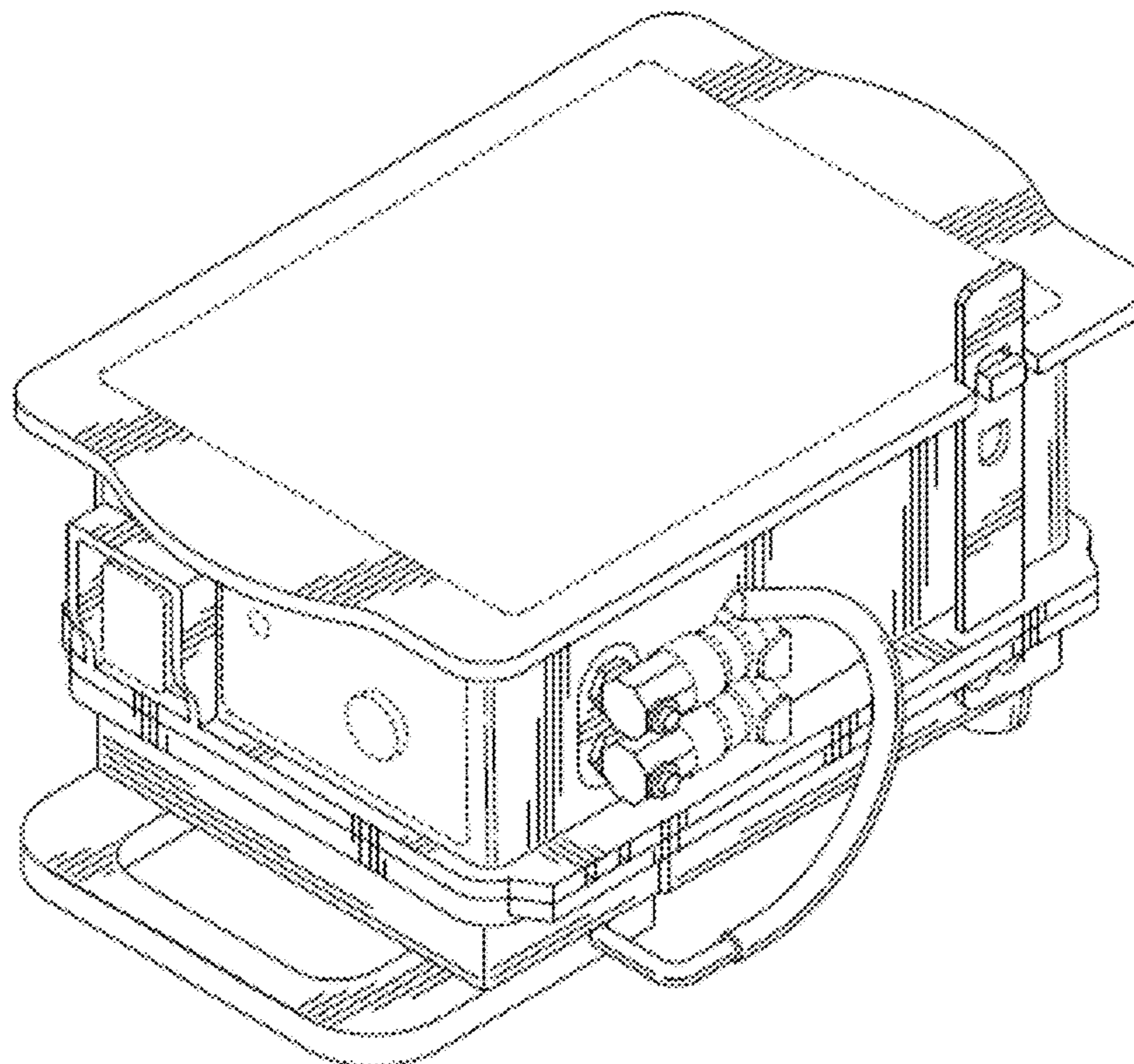
(58) **Field of Classification Search**
USPC D15/7-9; D23/231, 232, 225; 417/60,
417/235, 265, 321, 355, 358, 363, 359,
417/410.1, 415-416, 405, 900; 60/408,
60/412; 184/26-37; 415/140-147;
123/495, 509; D24/111

FIG. 1 is a front perspective view of a pump case showing my
new design;
FIG. 2 is a front view thereof;
FIG. 3 is a right view thereof;
FIG. 4 is a left view thereof;
FIG. 5 is a top view thereof;
FIG. 6 is a bottom view thereof; and,
FIG. 7 is a rear view thereof.

Any broken lines present are indicative of environmental
structure in the drawing and are not part of the design sought
to be patented.

See application file for complete search history.

1 Claim, 7 Drawing Sheets



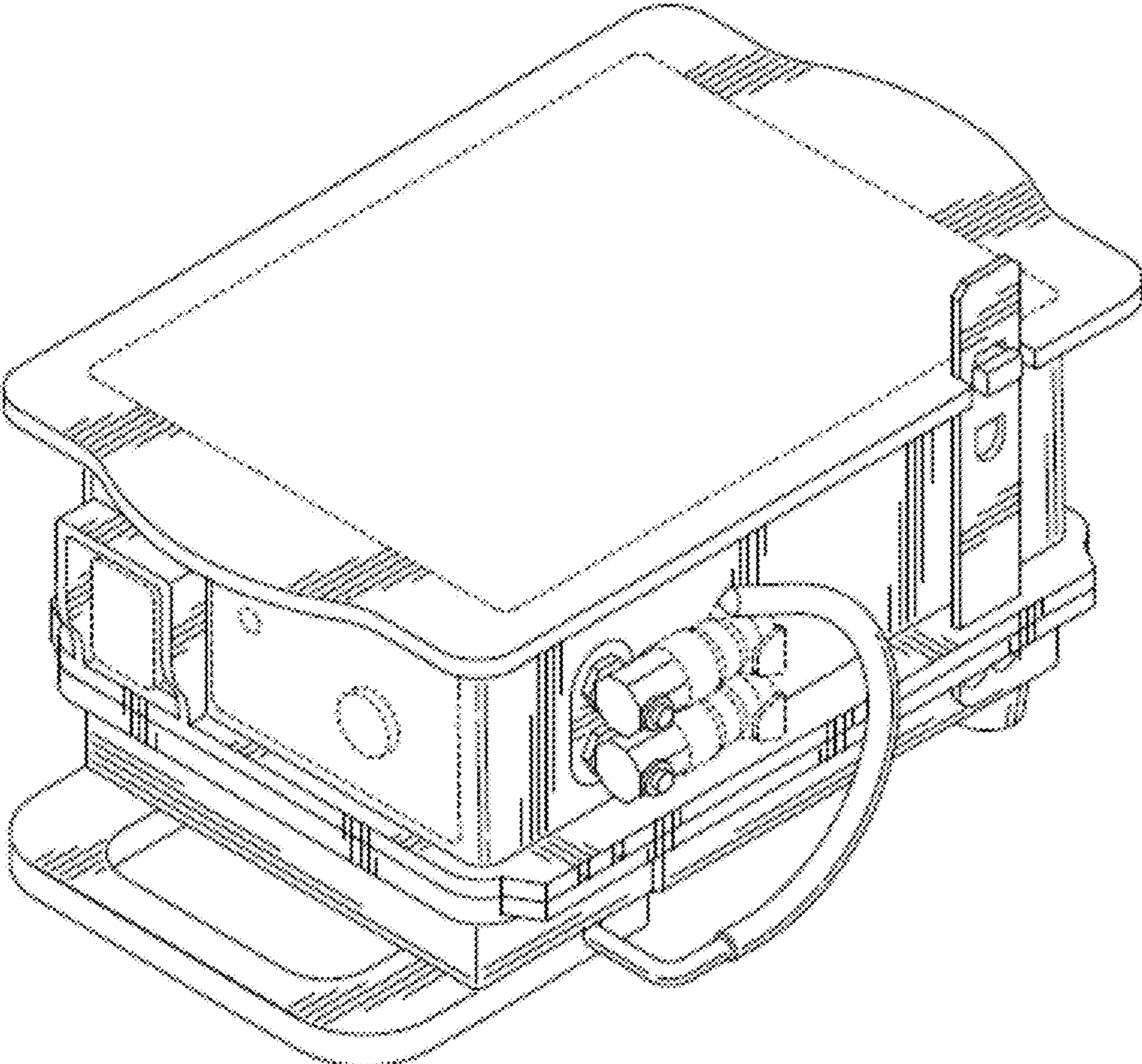


FIG. 1

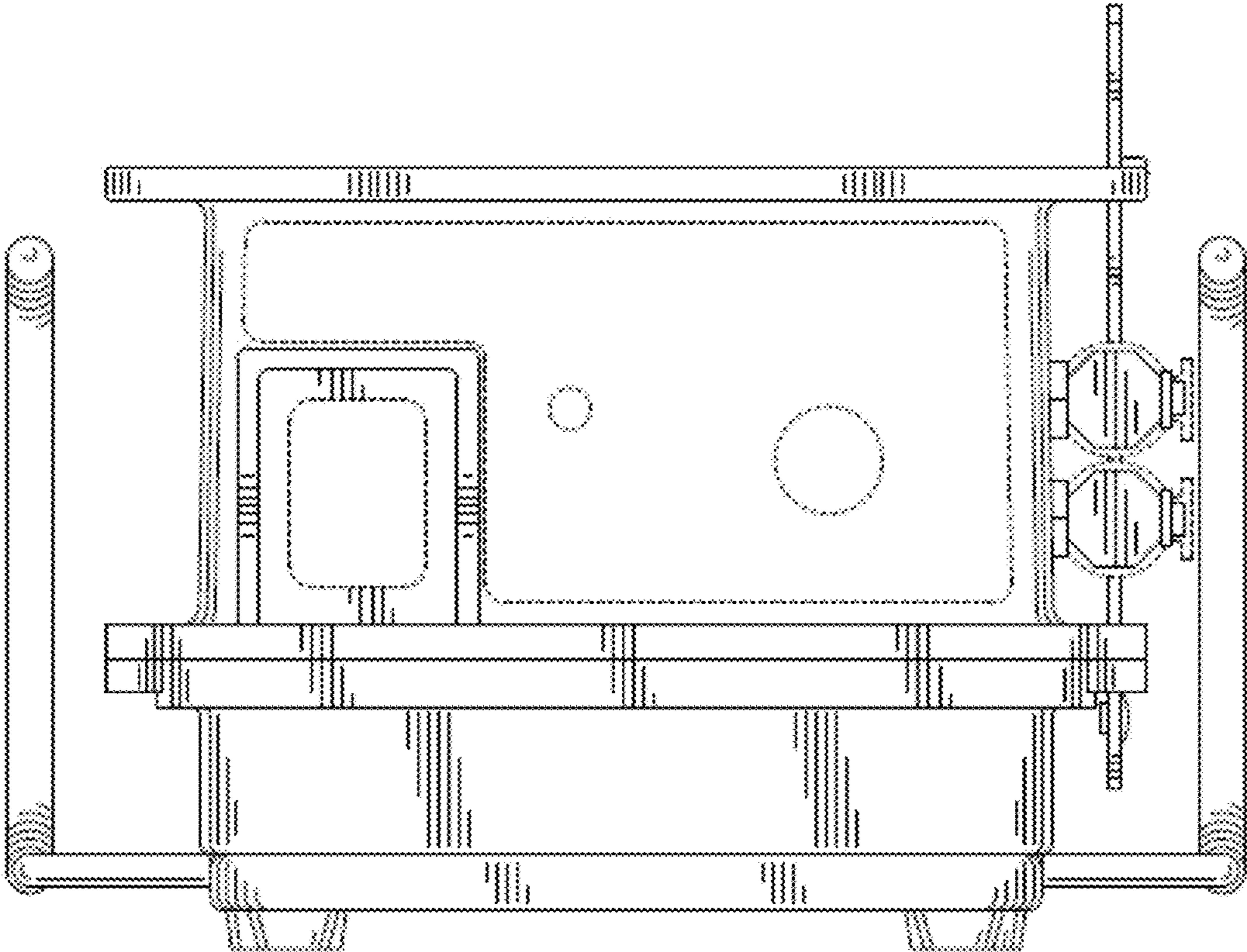


FIG. 2

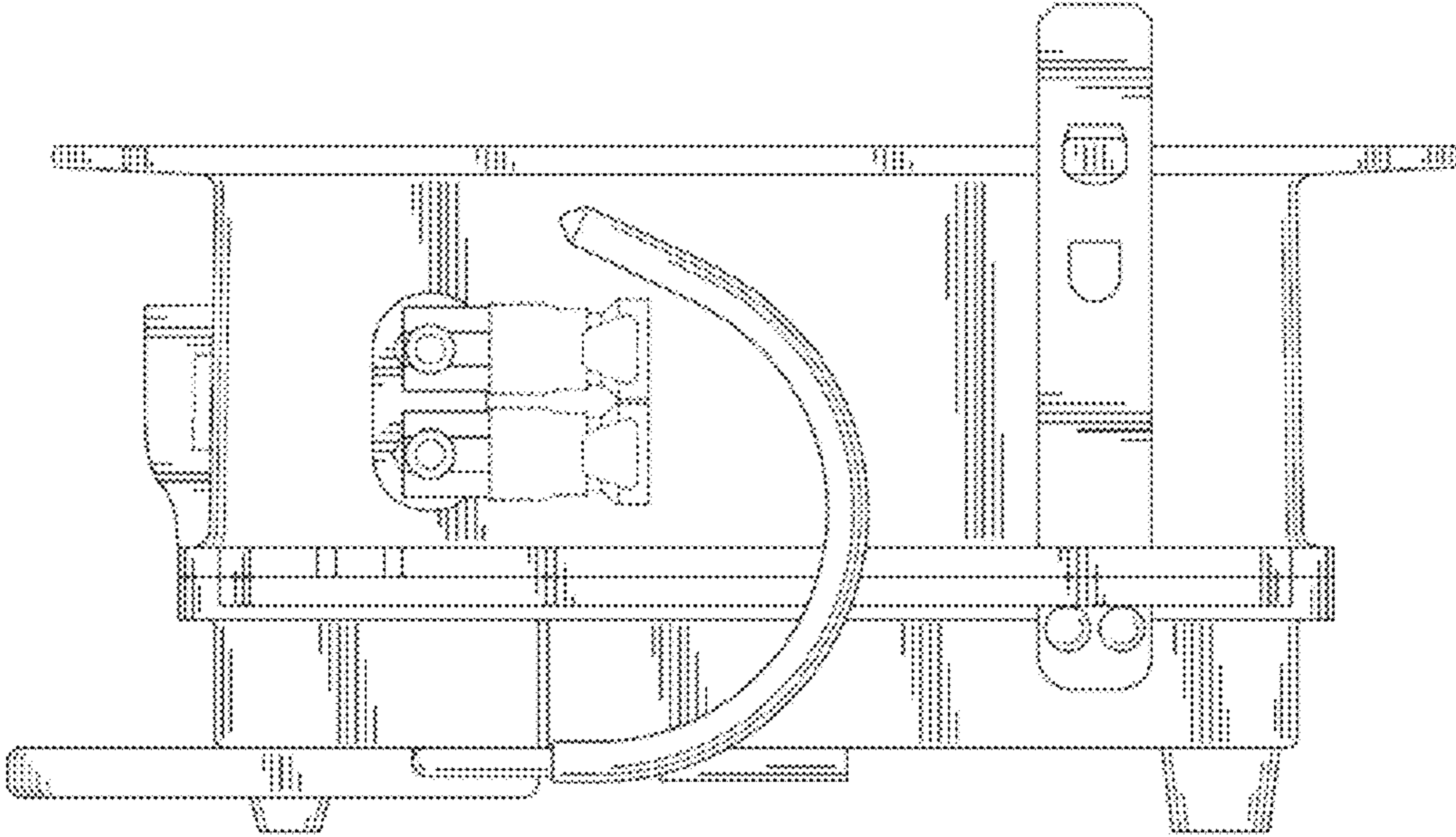


FIG. 3

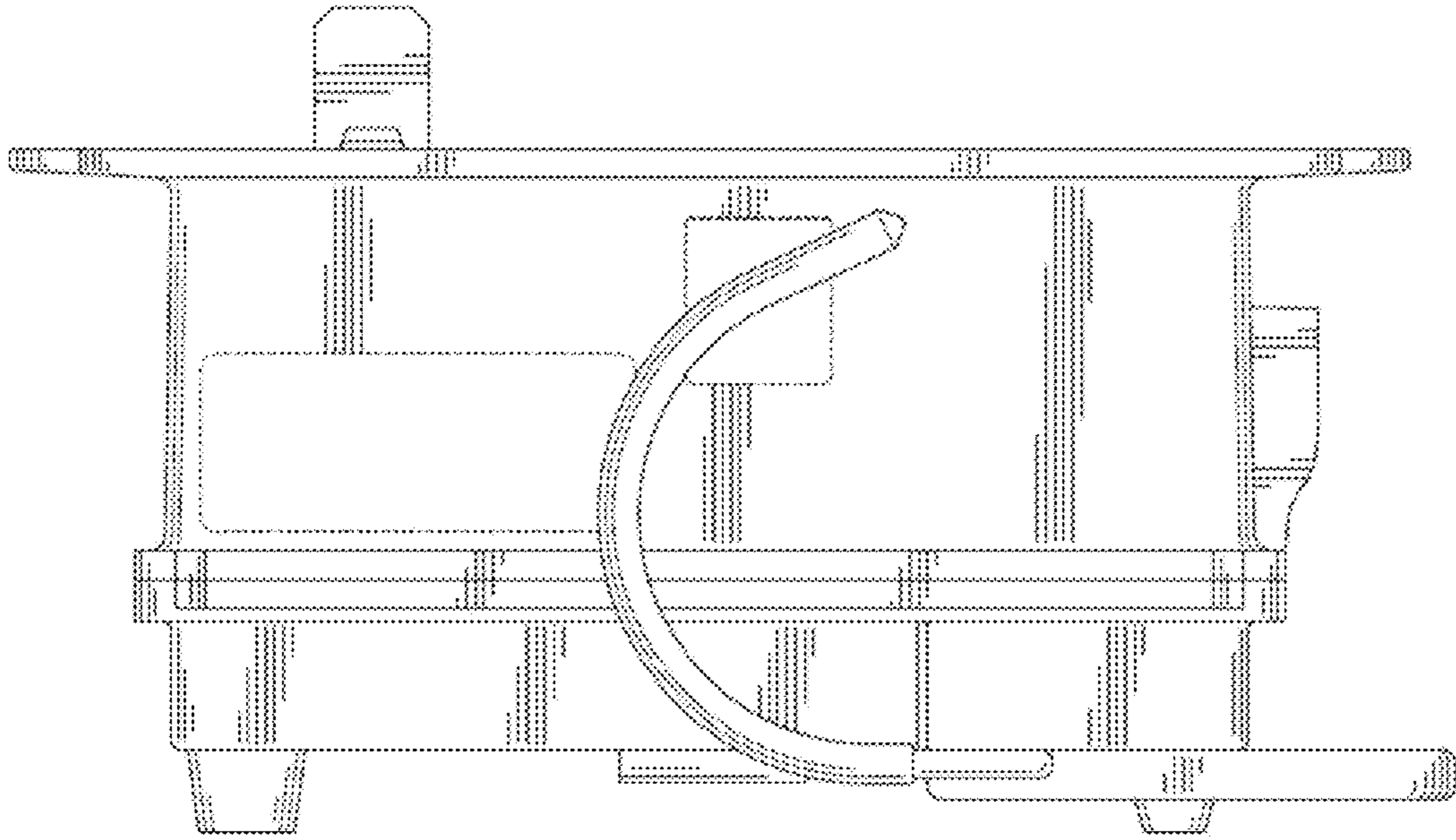


FIG. 4

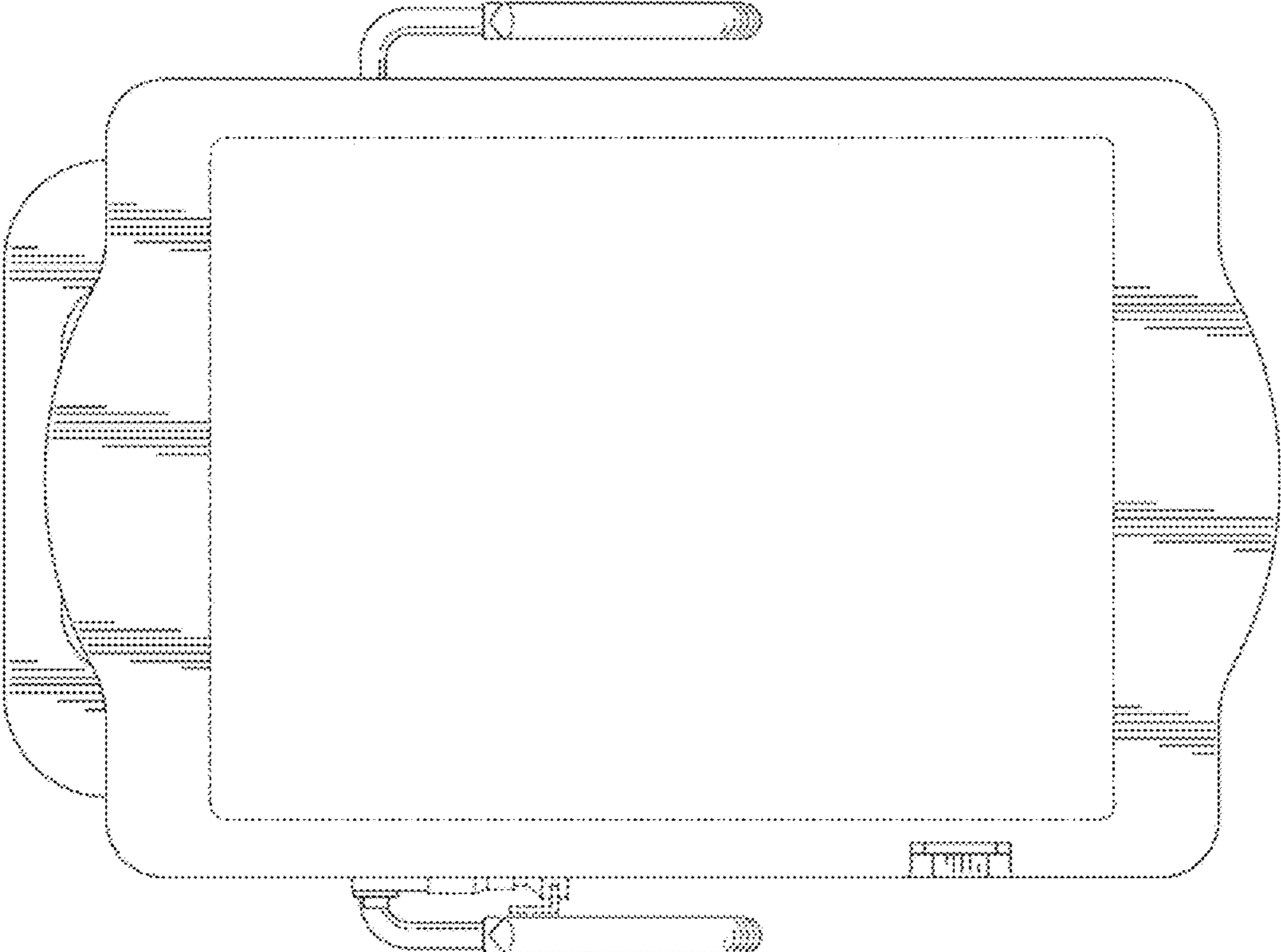


FIG. 5

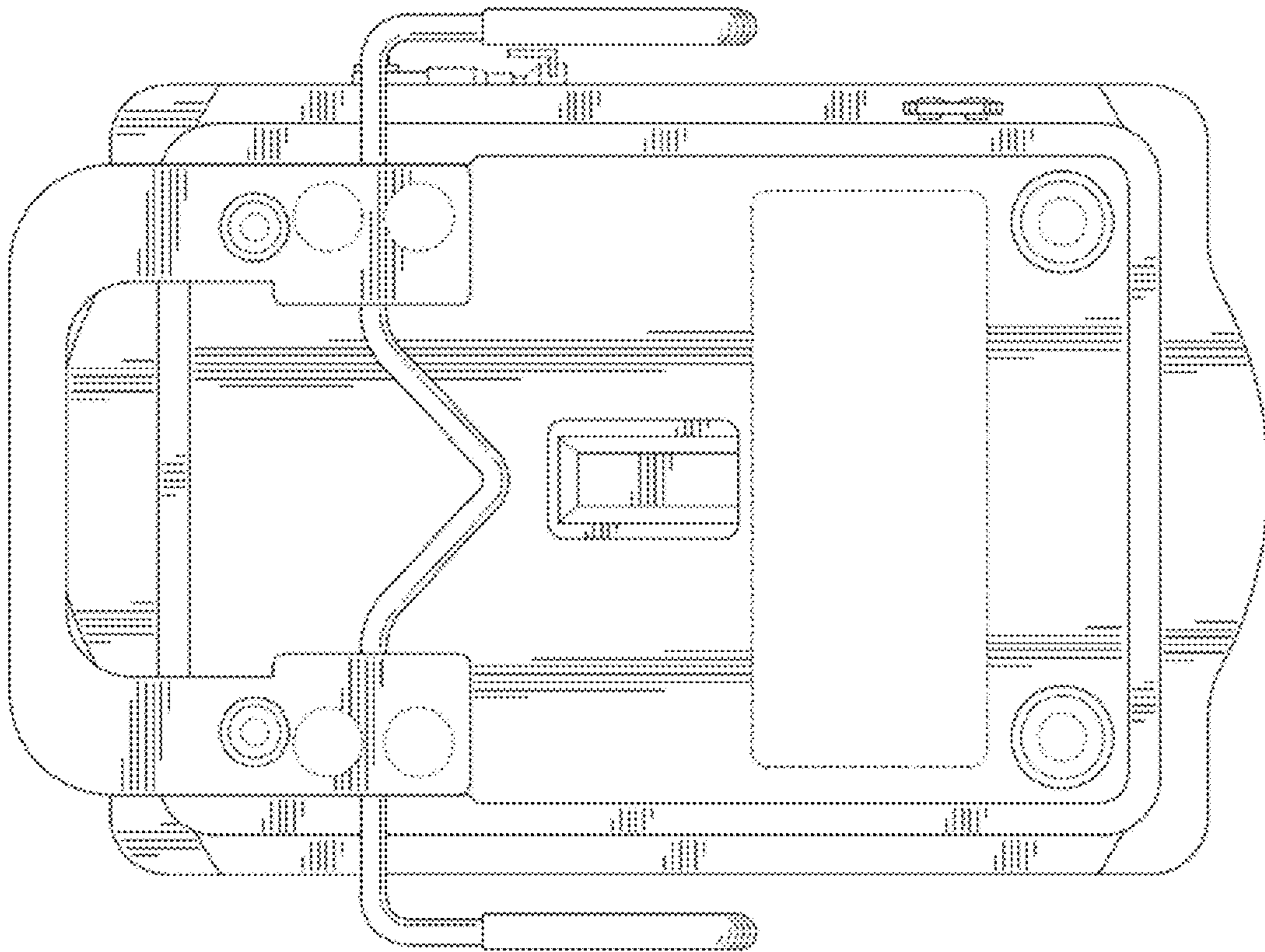


FIG. 6

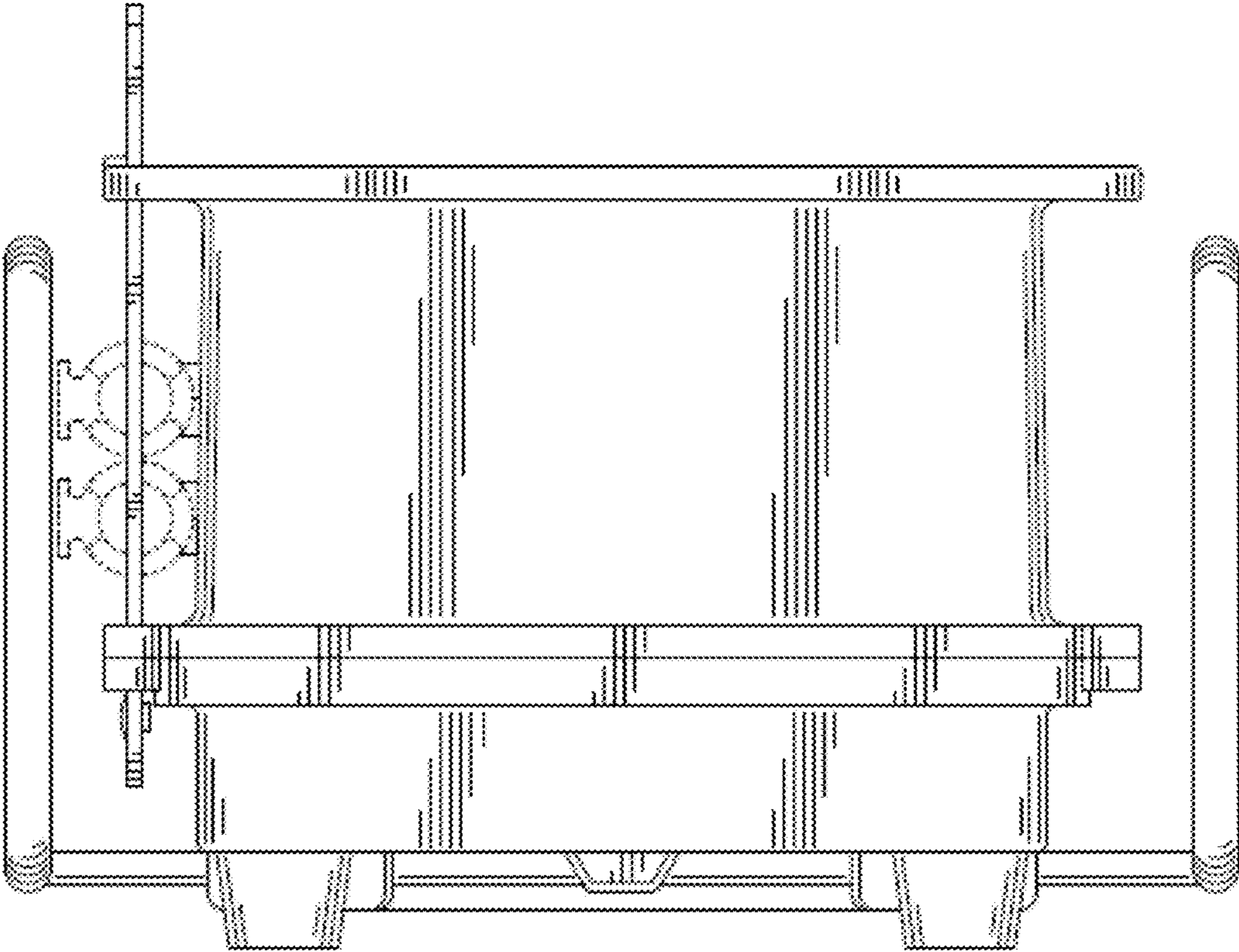


FIG. 7