



US00D726771S

(12) **United States Design Patent**
Pansegrouw et al.

(10) **Patent No.:** **US D726,771 S**
(45) **Date of Patent:** **** Apr. 14, 2015**

(54) **INFLATOR DEVICE**

(71) Applicant: **Stopak (Pty) Ltd.**, Ottery (ZA)

(72) Inventors: **Bester Jacobus Pansegrouw**, Ottery (ZA); **Ryan Fowler**, Ottery (ZA); **Baldwin Balie**, Ottery (ZA)

(73) Assignee: **Stopak (Pty) Ltd.**, Ottery (ZA)

(**) Term: **14 Years**

(21) Appl. No.: **29/491,858**

(22) Filed: **May 27, 2014**

(51) **LOC (10) Cl.** **15-02**

(52) **U.S. Cl.**
USPC **D15/7**

(58) **Field of Classification Search**
CPC F02M 37/04; F02M 37/14
USPC D15/7-9; D23/231, 232, 225; 417/60, 417/235, 265, 321, 355, 358, 363, 359, 417/410.1, 415-416, 405, 900; 60/408, 60/412; 184/26-37; 415/140-147; 123/495, 509; 137/565.34

See application file for complete search history.

(56) **References Cited**

U.S. PATENT DOCUMENTS

D428,020	S	*	7/2000	Bonzer	D15/7
D467,593	S	*	12/2002	Williams	D15/7
D470,510	S	*	2/2003	Chen	D15/9
D484,147	S	*	12/2003	Tai	D15/9
D519,125	S	*	4/2006	Burford et al.	D15/7
D528,131	S	*	9/2006	Wu	D15/9
D541,309	S	*	4/2007	Wang	D15/9
D576,642	S	*	9/2008	Steinfels et al.	D15/9
D588,165	S	*	3/2009	Steinfels et al.	D15/9
D692,025	S	*	10/2013	Cook et al.	D15/7

* cited by examiner

Primary Examiner — Ralf Seifert

(74) *Attorney, Agent, or Firm* — AuerbachSchrot LLC

(57) **CLAIM**

The ornamental design for an inflator device, as shown and described.

DESCRIPTION

FIG. 1 is a front perspective view of an inflator device; FIG. 2 is a rear perspective view of the inflator device; FIG. 3 is a front view of the inflator device; FIG. 4 is a rear view of the inflator device; FIG. 5 is a left side view of the inflator device; FIG. 6 is a right side view of the inflator device; FIG. 7 is a top view of the inflator device; and, FIG. 8 is a bottom view of the inflator device.

1 Claim, 8 Drawing Sheets

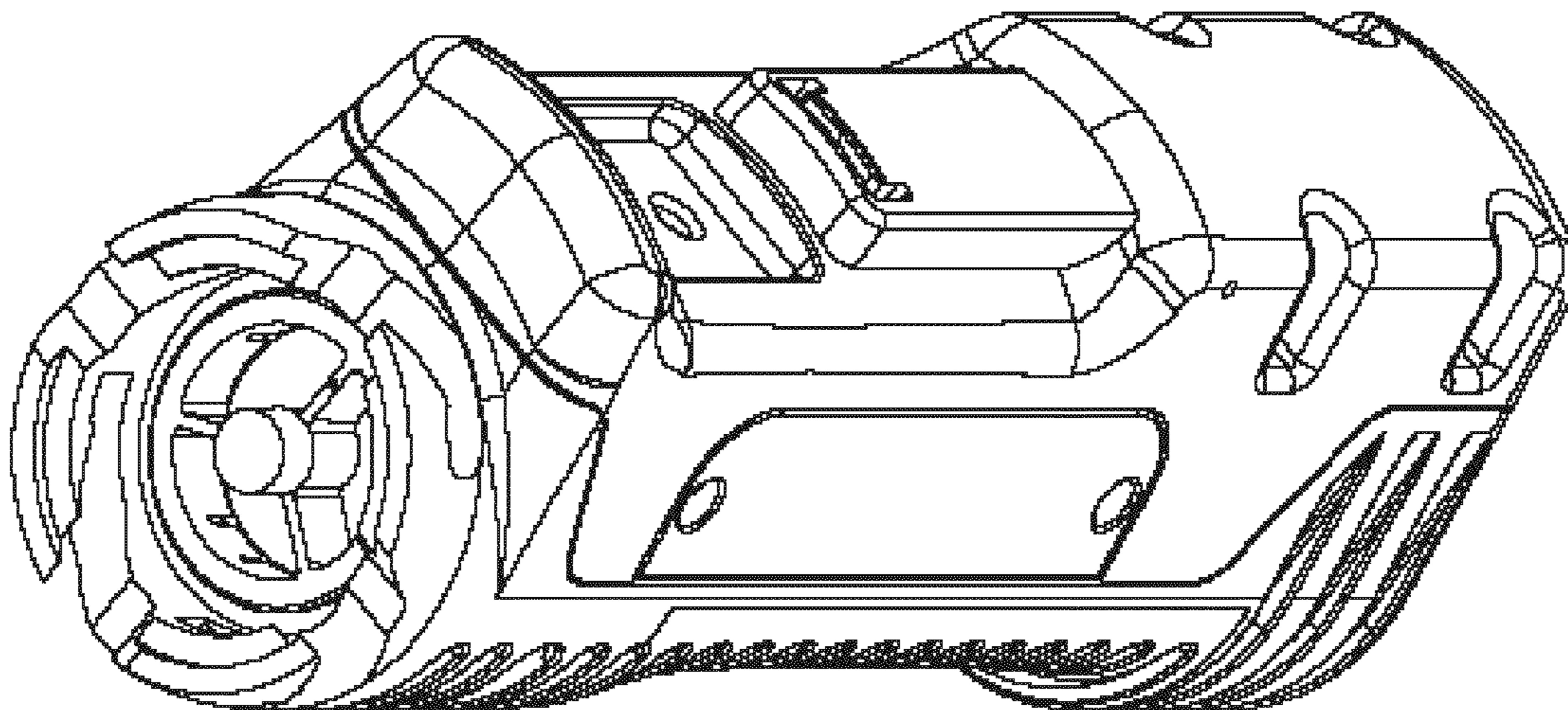


FIG. 1

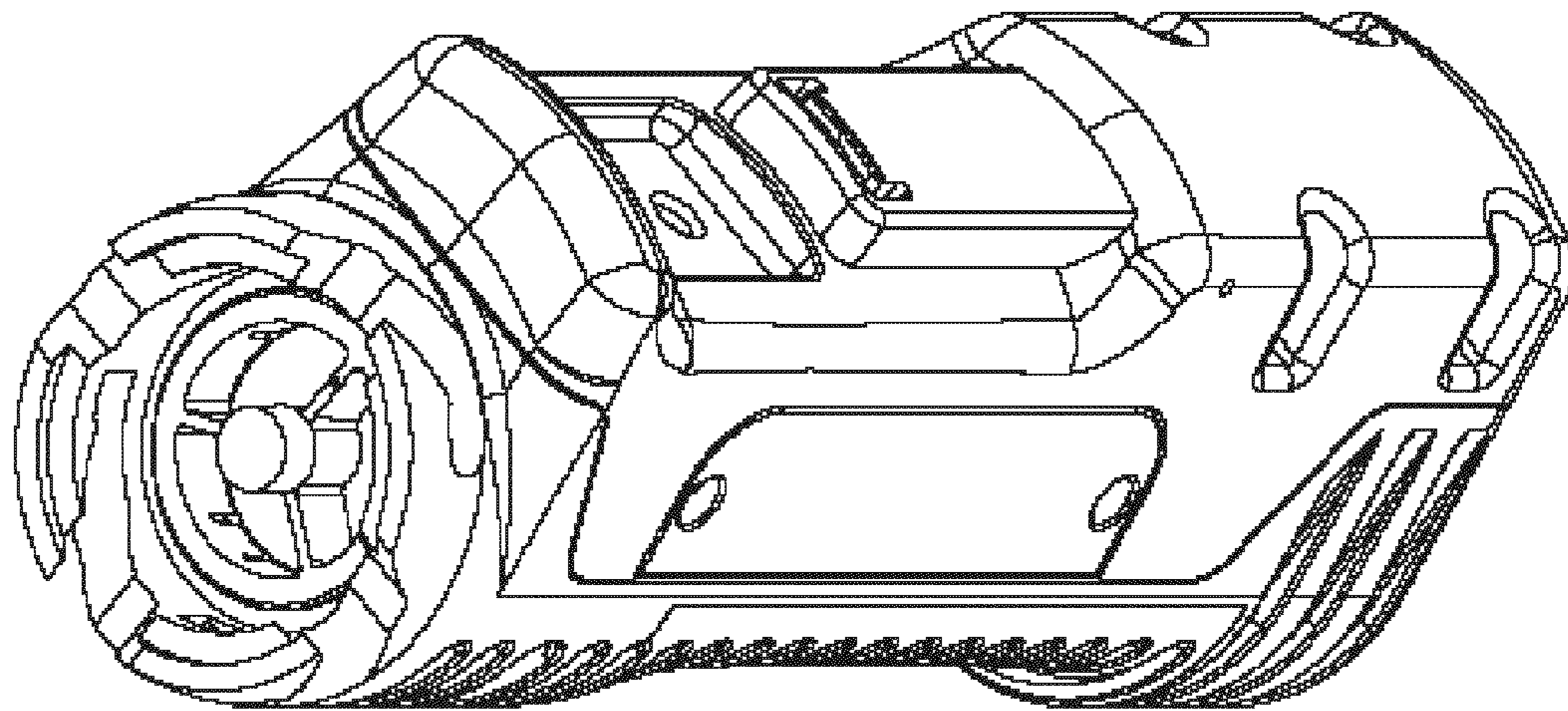


FIG. 2

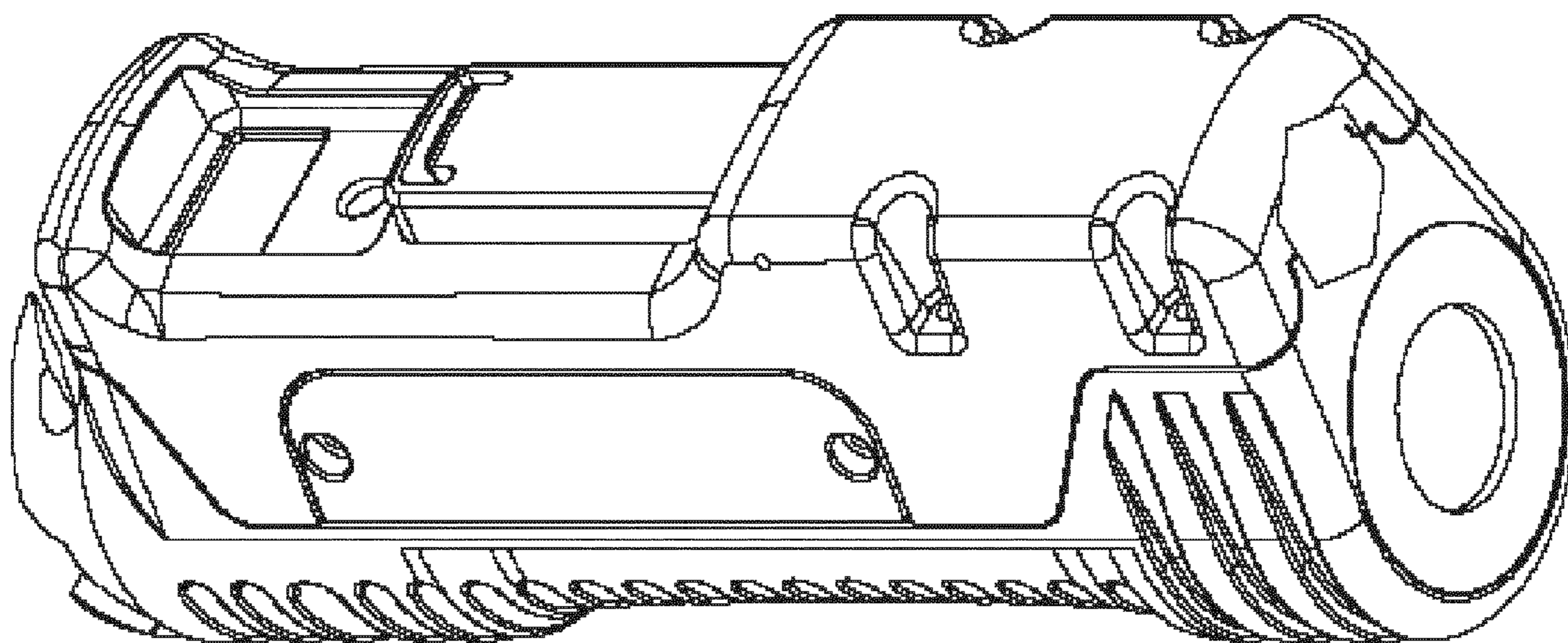


FIG. 3

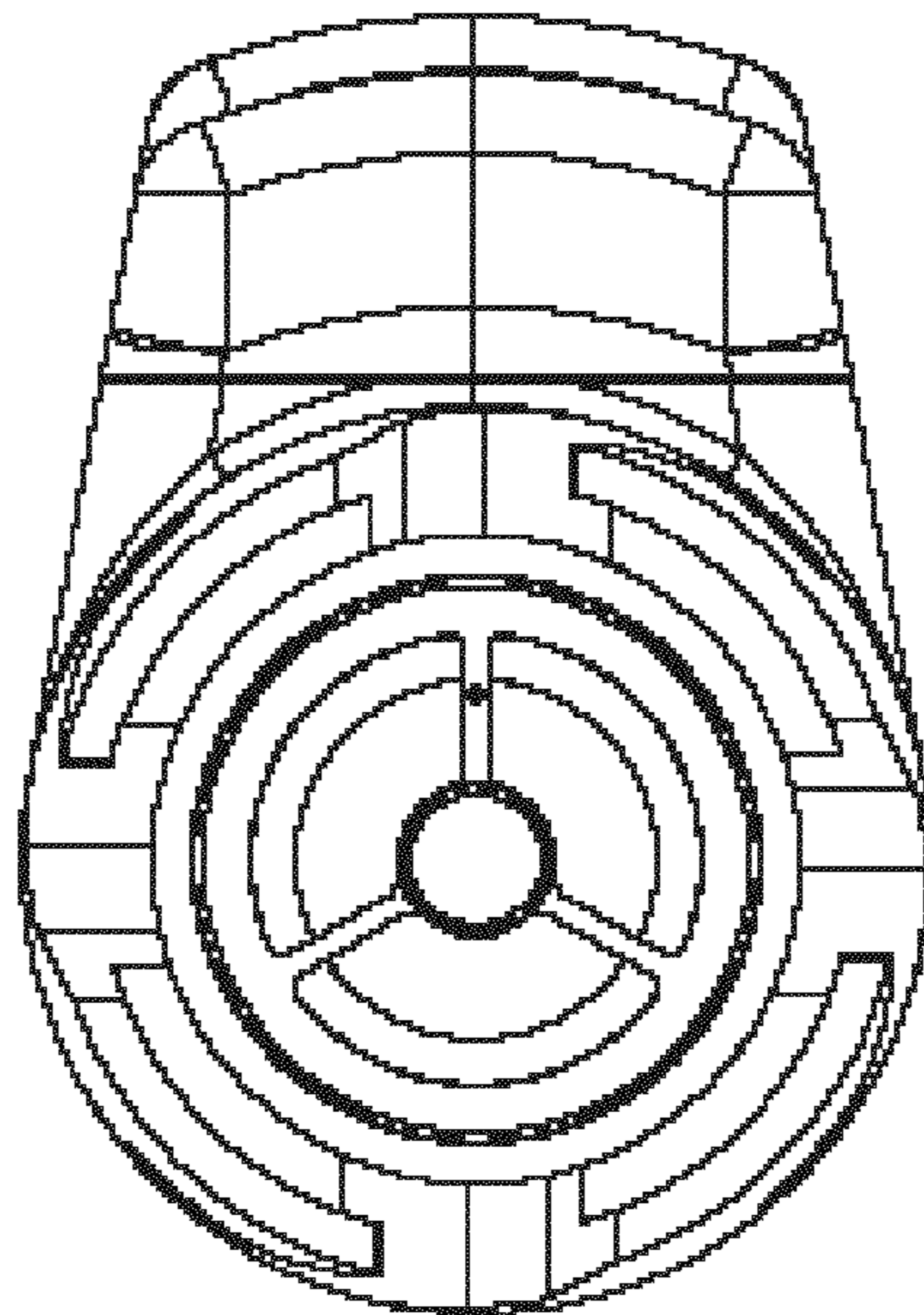


FIG. 4

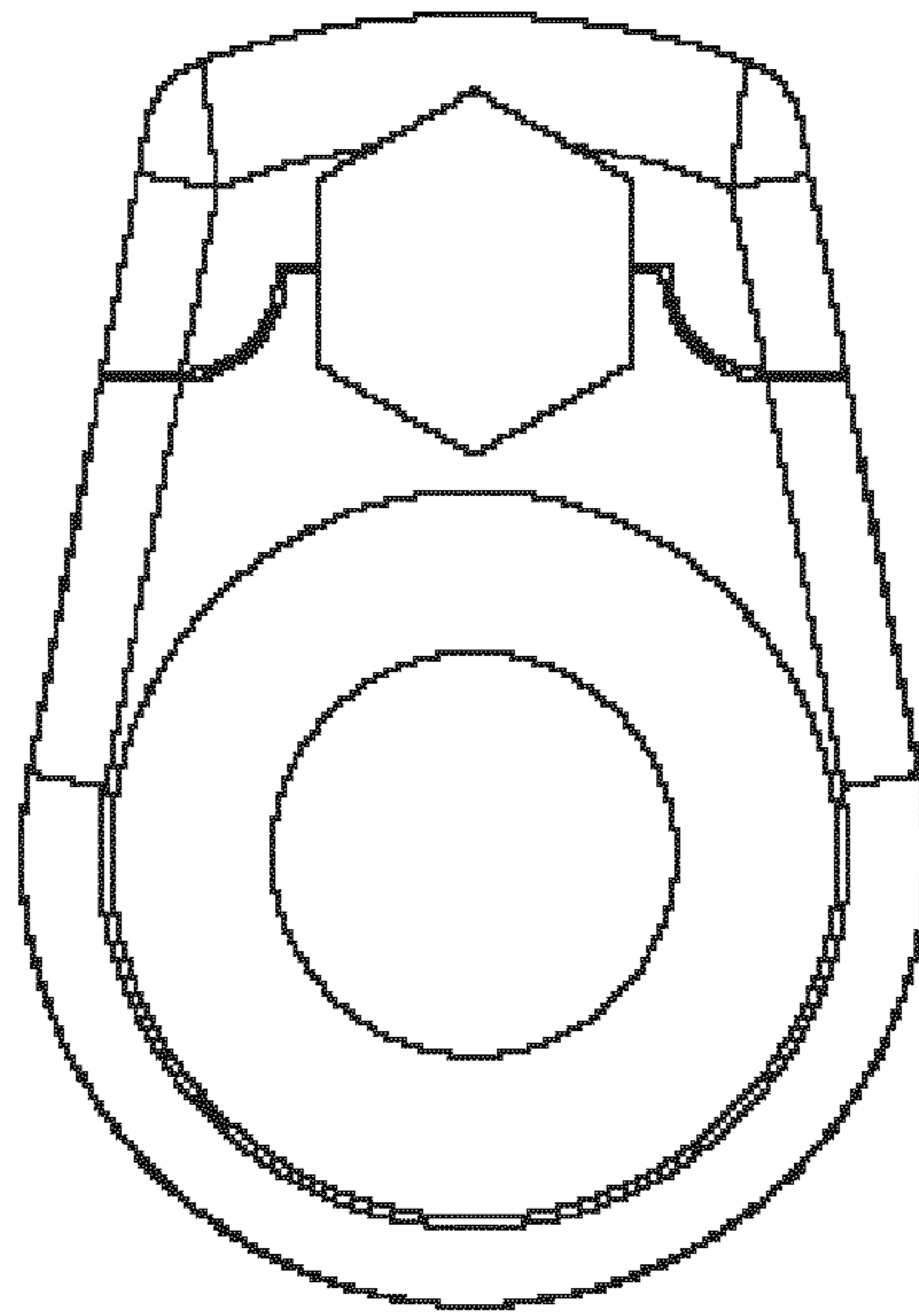


FIG. 5

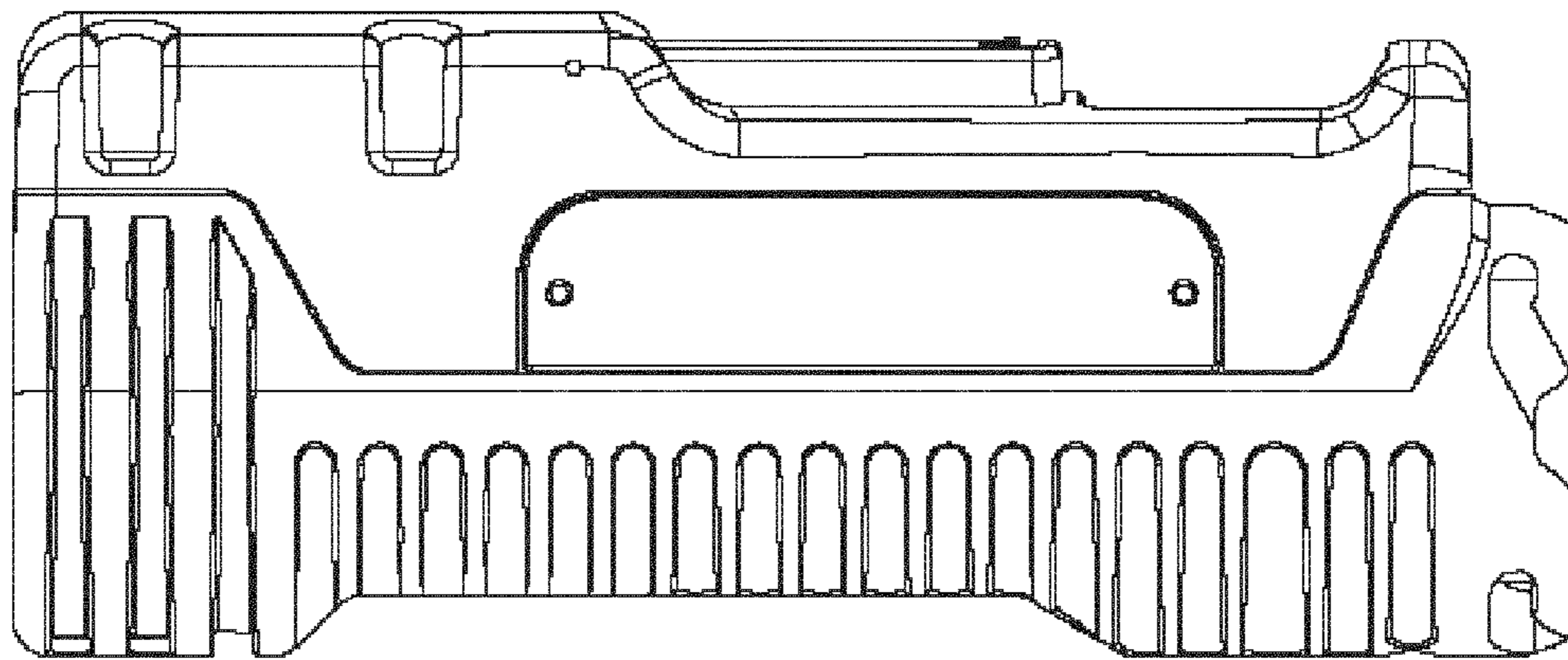


FIG. 6

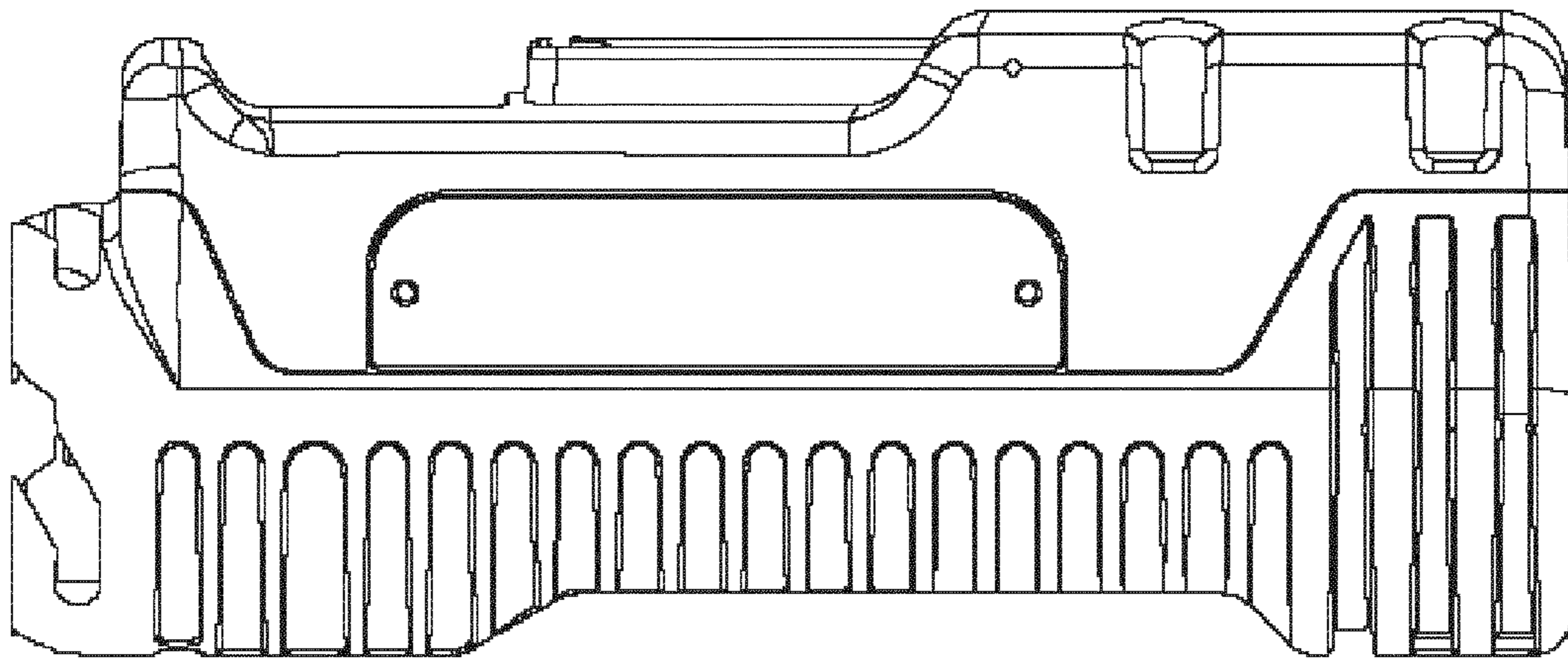


FIG. 7

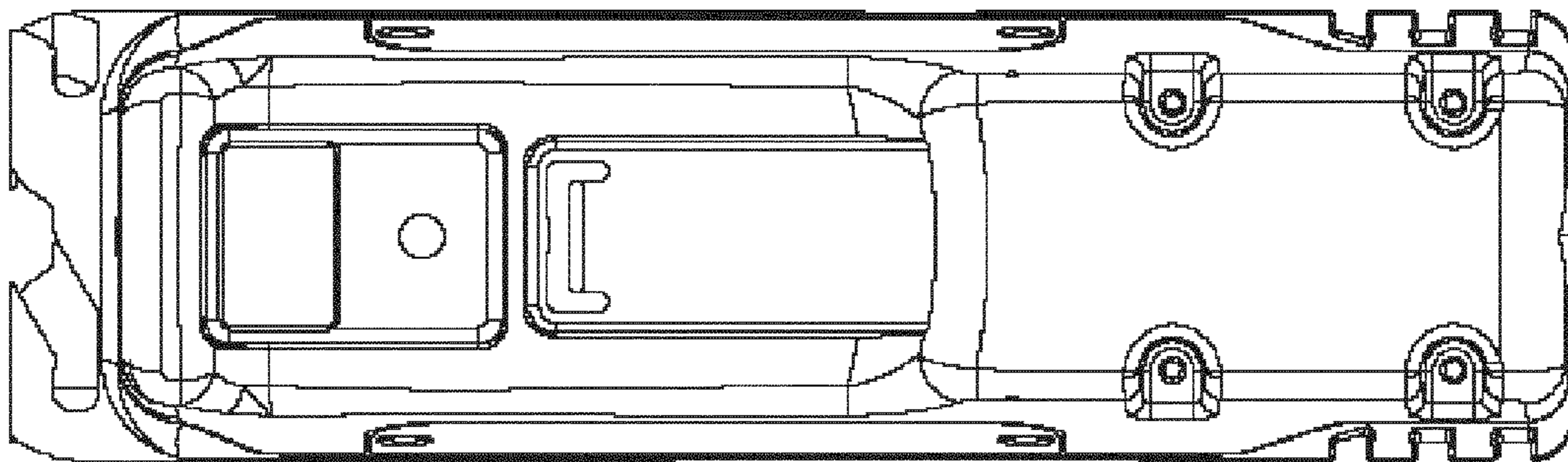


FIG. 8

