



US00D726769S

(12) **United States Design Patent**
Sotiriades et al.

(10) **Patent No.:** **US D726,769 S**
(45) **Date of Patent:** **** Apr. 14, 2015**

(54) **CYLINDER HEAD AIR GUIDE**

(71) Applicant: **Champion Engine Technology, LLC**,
Sussex, WI (US)

(72) Inventors: **Aleko D. Sotiriades**, Cedarburg, WI
(US); **Russell J. Dopke**, Elkhart Lake,
WI (US)

(73) Assignee: **Champion Engine Technology, LLC**,
Sussex, WI (US)

(**) Term: **14 Years**

(21) Appl. No.: **29/490,084**

(22) Filed: **May 6, 2014**

(51) **LOC (10) Cl.** **15-01**

(52) **U.S. Cl.**
USPC **D15/5**

(58) **Field of Classification Search**
USPC D15/1-6; D12/400; 123/41.58, 184.56,
123/54.6, 41.54, 184.21, 184.43, 184.46,
123/184.47, 184.48; 180/68.1
See application file for complete search history.

(56) **References Cited**

U.S. PATENT DOCUMENTS

2,700,377	A	1/1955	Chesnutt	
5,121,715	A *	6/1992	Nogami et al.	123/41.7
7,225,765	B2 *	6/2007	Leech et al.	123/41.7
7,594,484	B2 *	9/2009	Lavender et al.	123/41.7
7,694,655	B2 *	4/2010	Sagara et al.	123/41.7
D642,201	S *	7/2011	Bender	D15/5
8,550,198	B2 *	10/2013	Isaka et al.	180/68.1
2001/0007292	A1 *	7/2001	Yabf	180/68.1
2007/0089692	A1 *	4/2007	Kochi et al.	123/41.7
2013/0133597	A1	5/2013	Shimazaki et al.	

* cited by examiner

Primary Examiner — T. Chase Nelson

Assistant Examiner — Ania Aman

(74) *Attorney, Agent, or Firm* — Ziolkowski Patent
Solutions Group, SC

(57) **CLAIM**

The ornamental design for a cylinder head air guide, as shown
and described herein.

DESCRIPTION

FIG. 1 is a left front perspective view of an engine cylinder
head and air guide of the present invention.

FIG. 2 is a top plan view of the engine cylinder head and
air guide of FIG. 1.

FIG. 3 is a left side view of the engine cylinder head and
air guide of FIG. 1.

FIG. 4 is front view of the engine cylinder head and
air guide of FIG. 1.

FIG. 5 is a rear view of the engine cylinder head and
air guide of FIG. 1.

FIG. 6 is a right side view of the engine cylinder head and
air guide of FIG. 1.

FIG. 7 is a bottom view of the engine cylinder head and
air guide of FIG. 1.

FIG. 8 is an inside perspective view of the air guide
removed from the cylinder head of FIG. 1.

FIG. 9 is an inside side view of the air guide of FIG. 8.

FIG. 10 is a top plan view of the air guide of FIG. 8.

FIG. 11 is a front view of the air guide of FIG. 8.

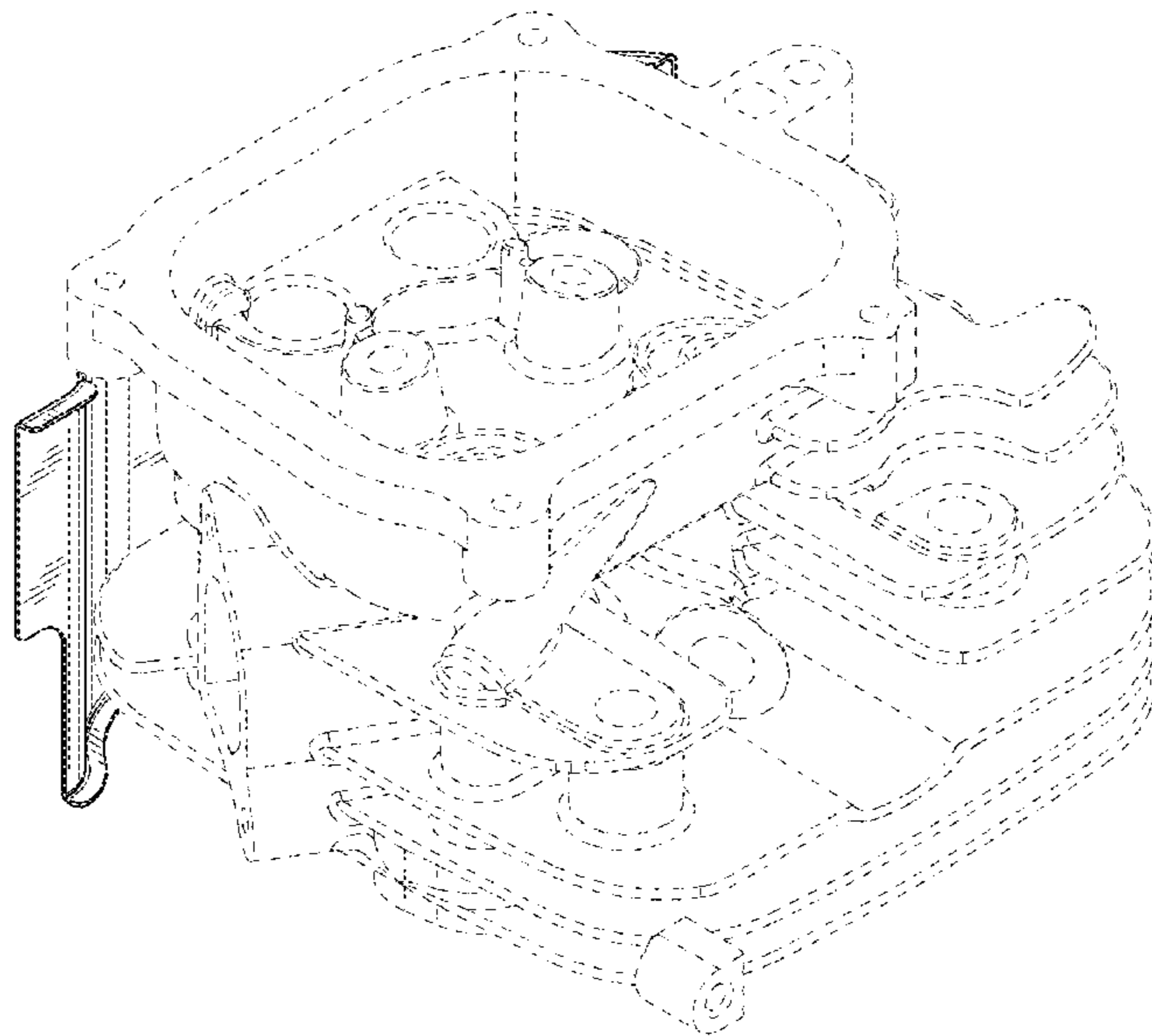
FIG. 12 is a rear view of the air guide of FIG. 8.

FIG. 13 is an outside side view of the air guide of FIG. 8; and,

FIG. 14 is a bottom view of the air guide of FIG. 8.

The broken lines in the drawing views are included for the
purpose of illustrating portions of the cylinder head air guide
that form no part of the claimed design.

1 Claim, 8 Drawing Sheets



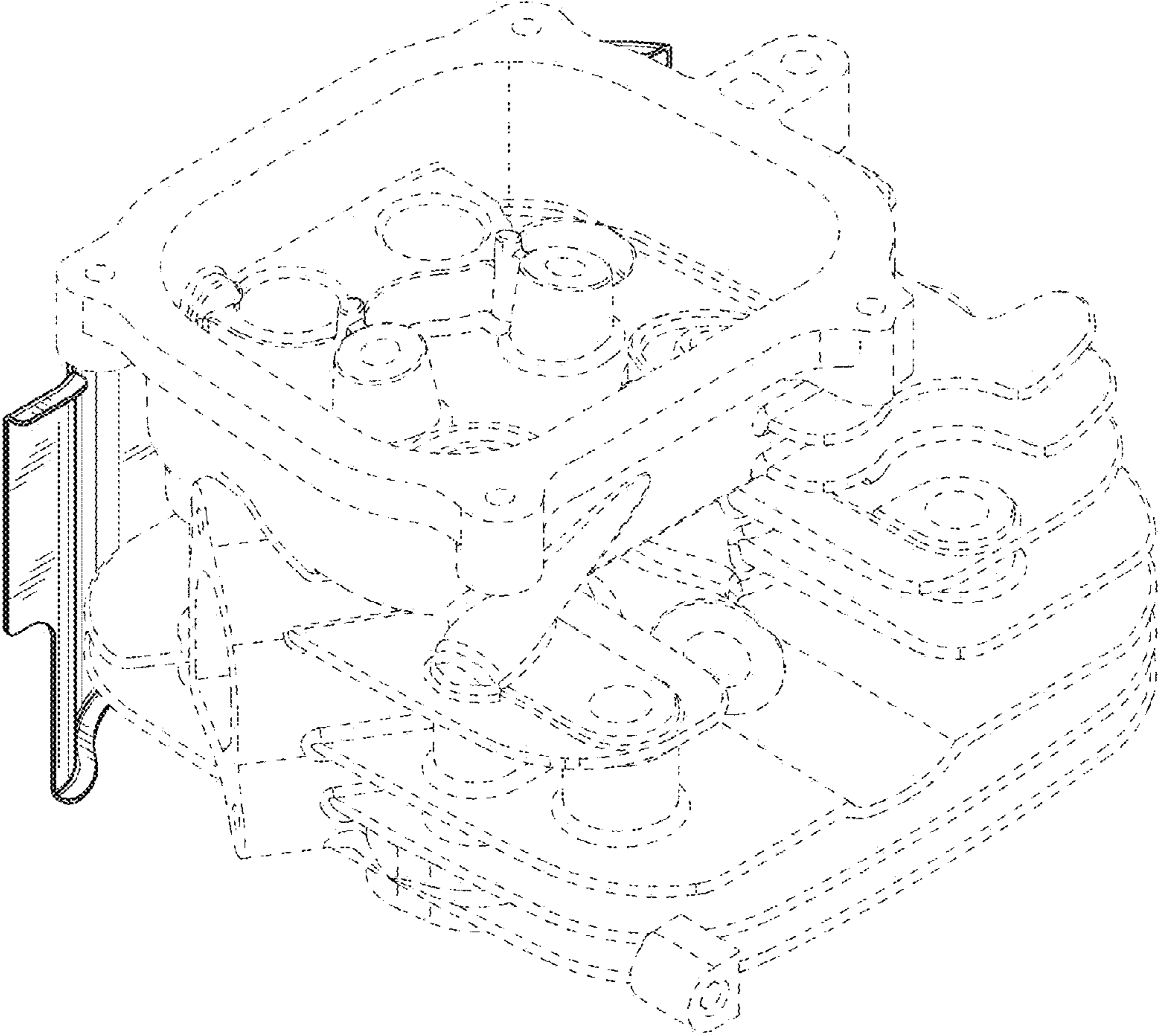


FIG. 1

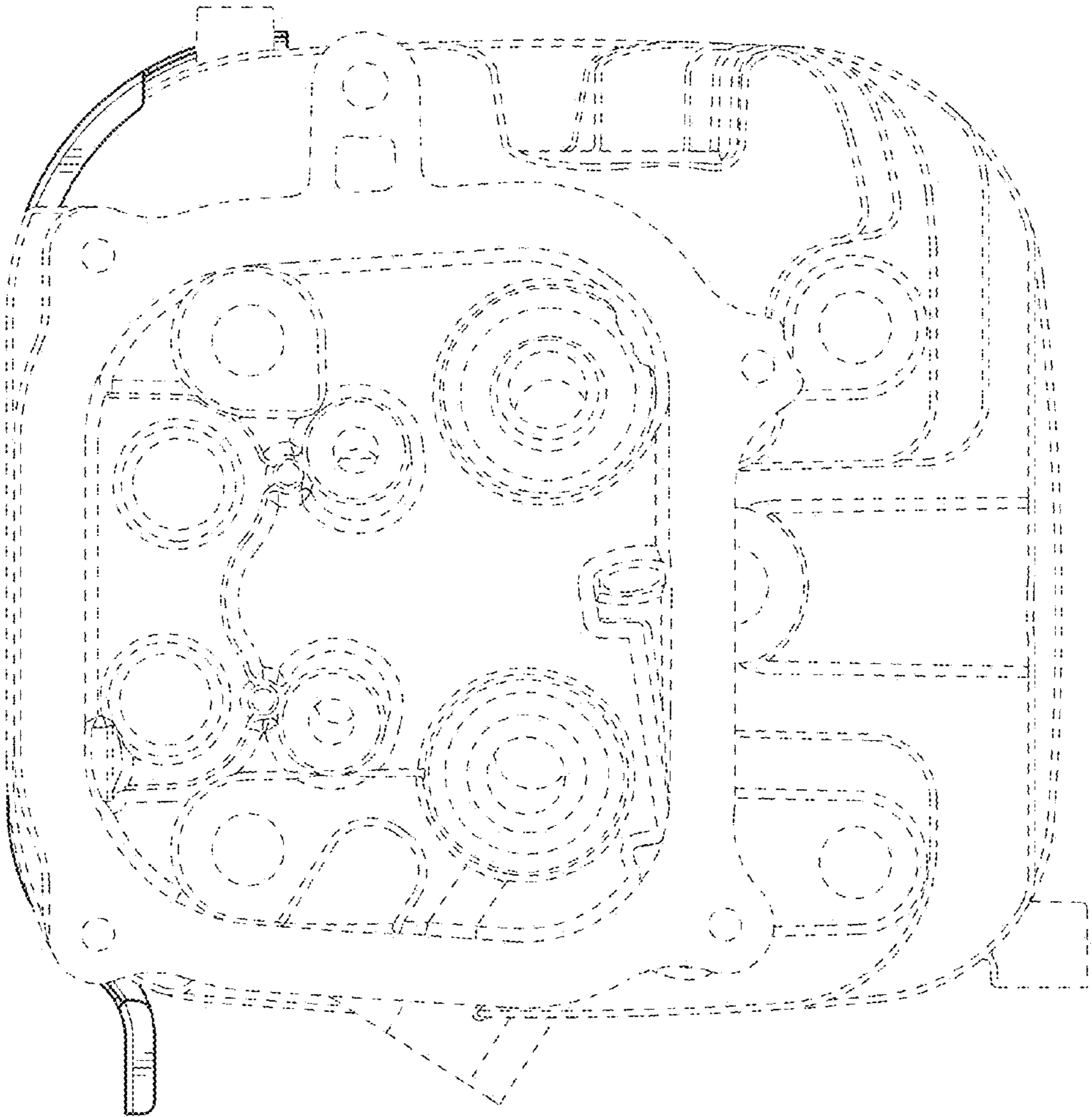
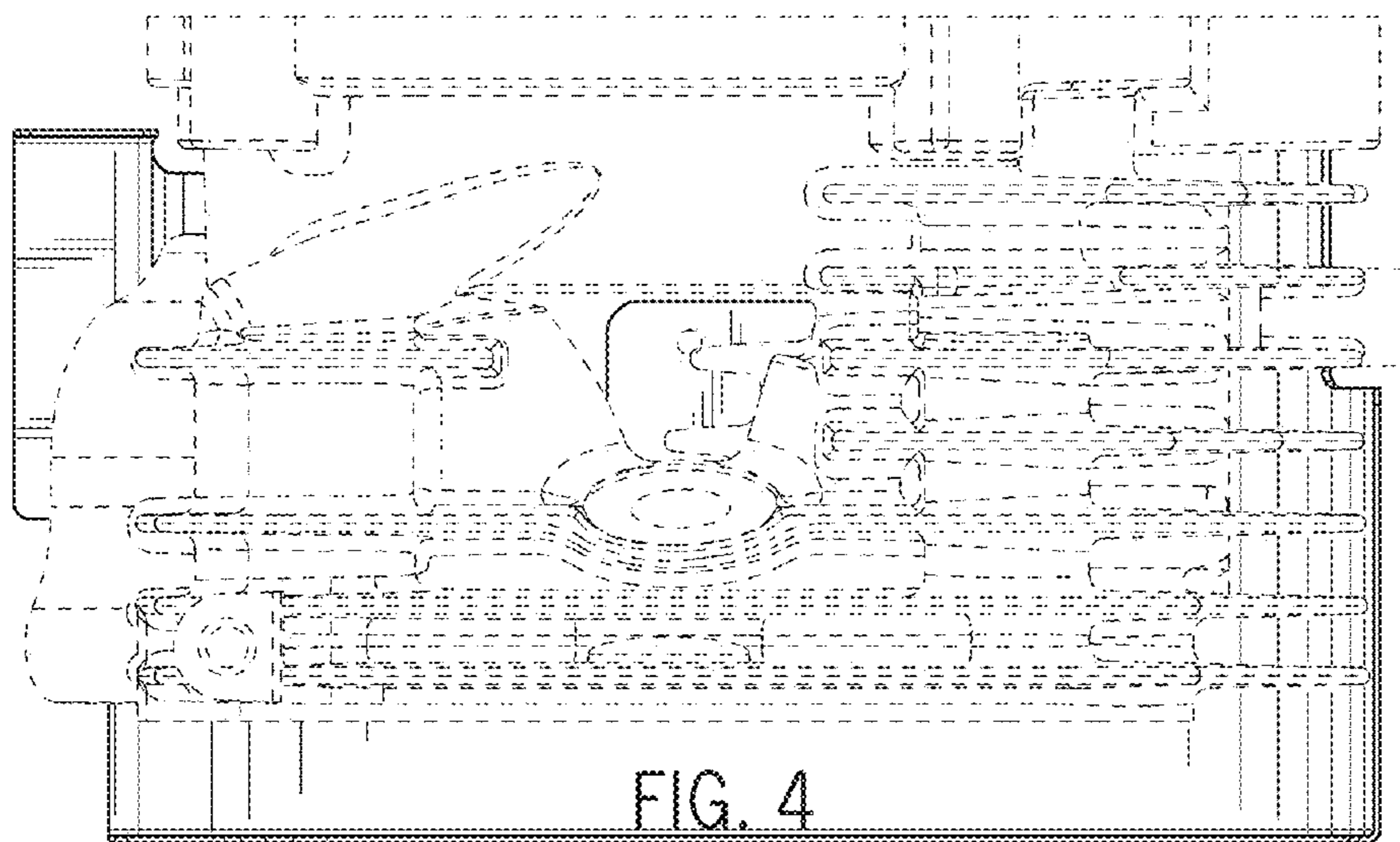
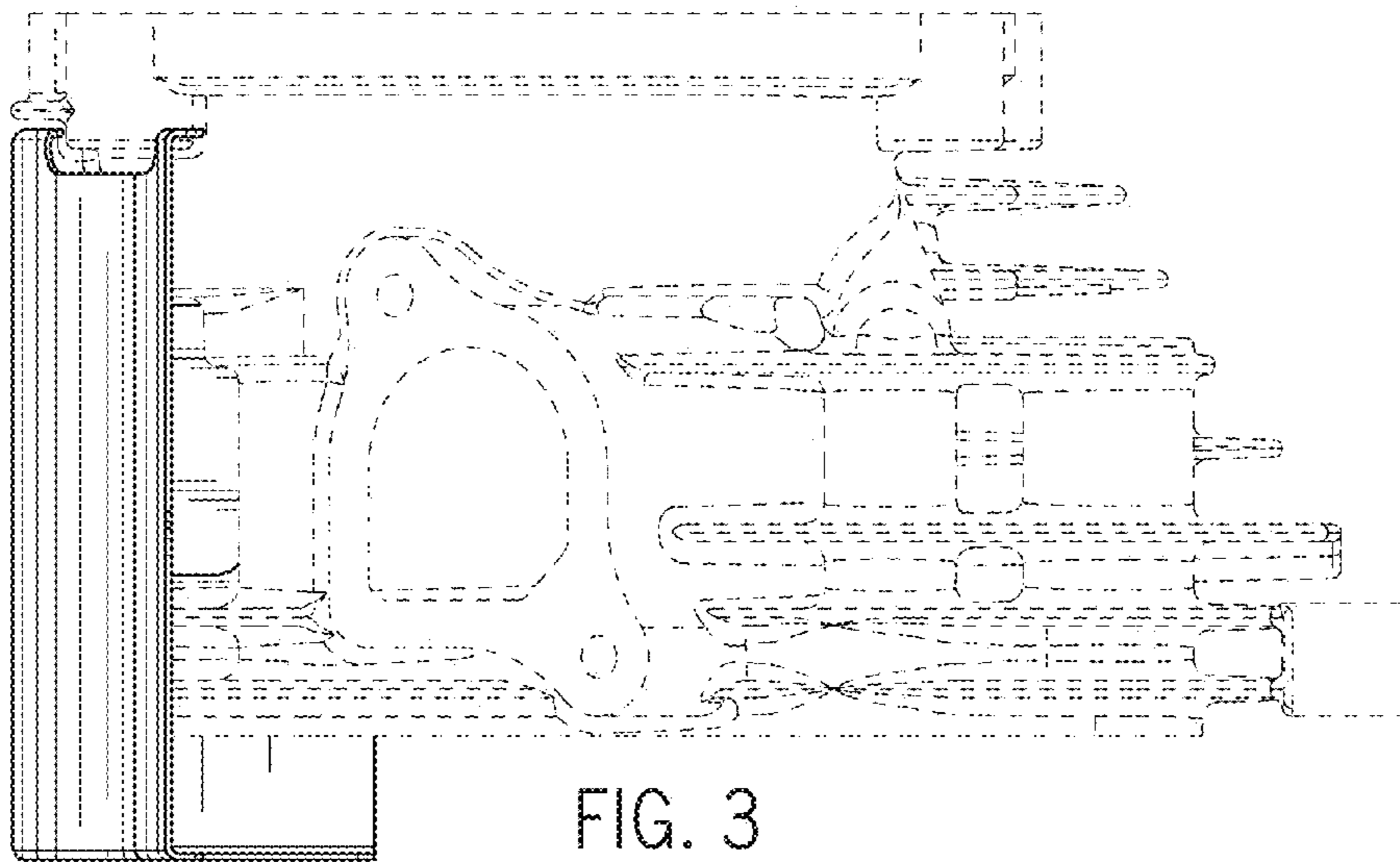
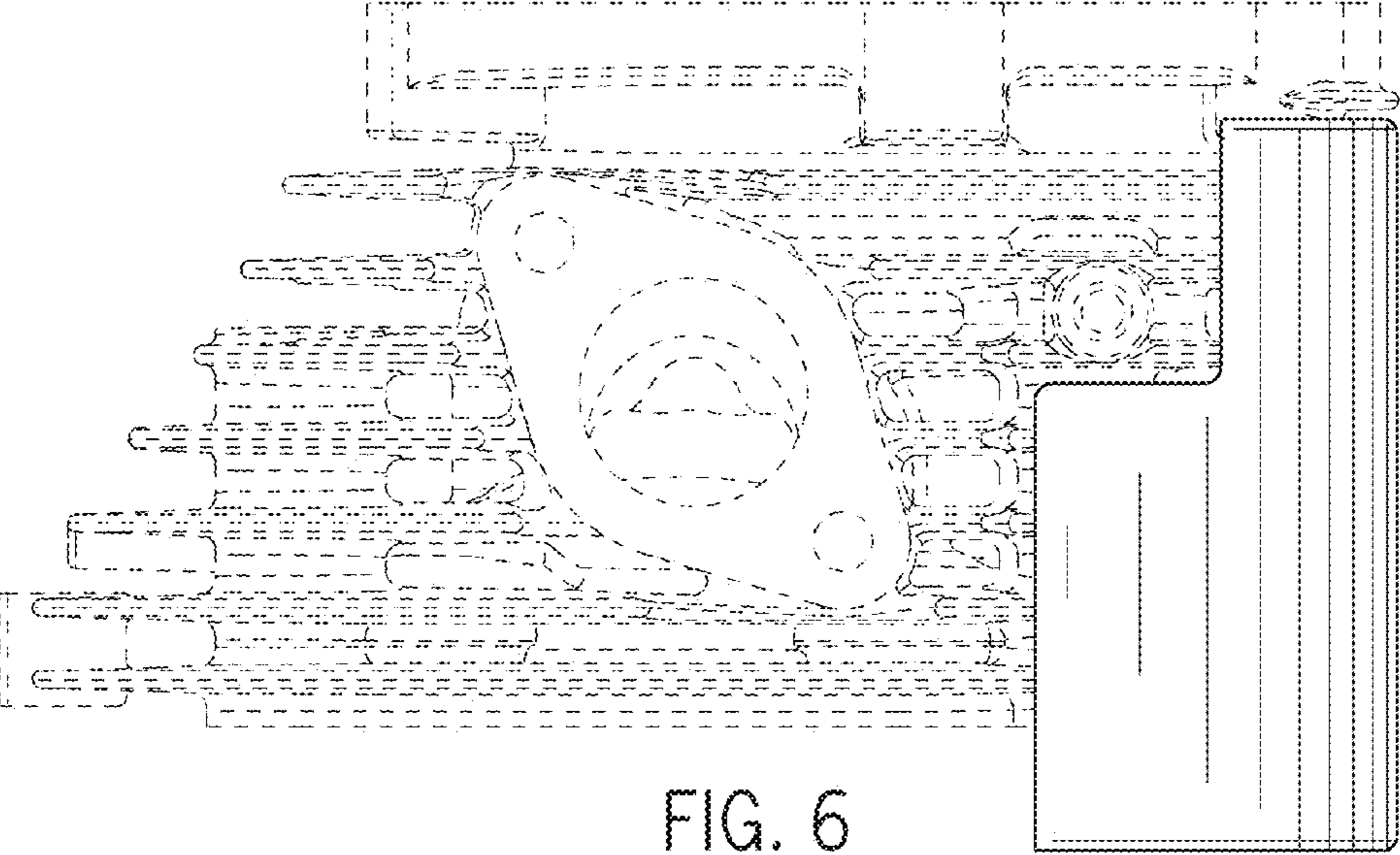
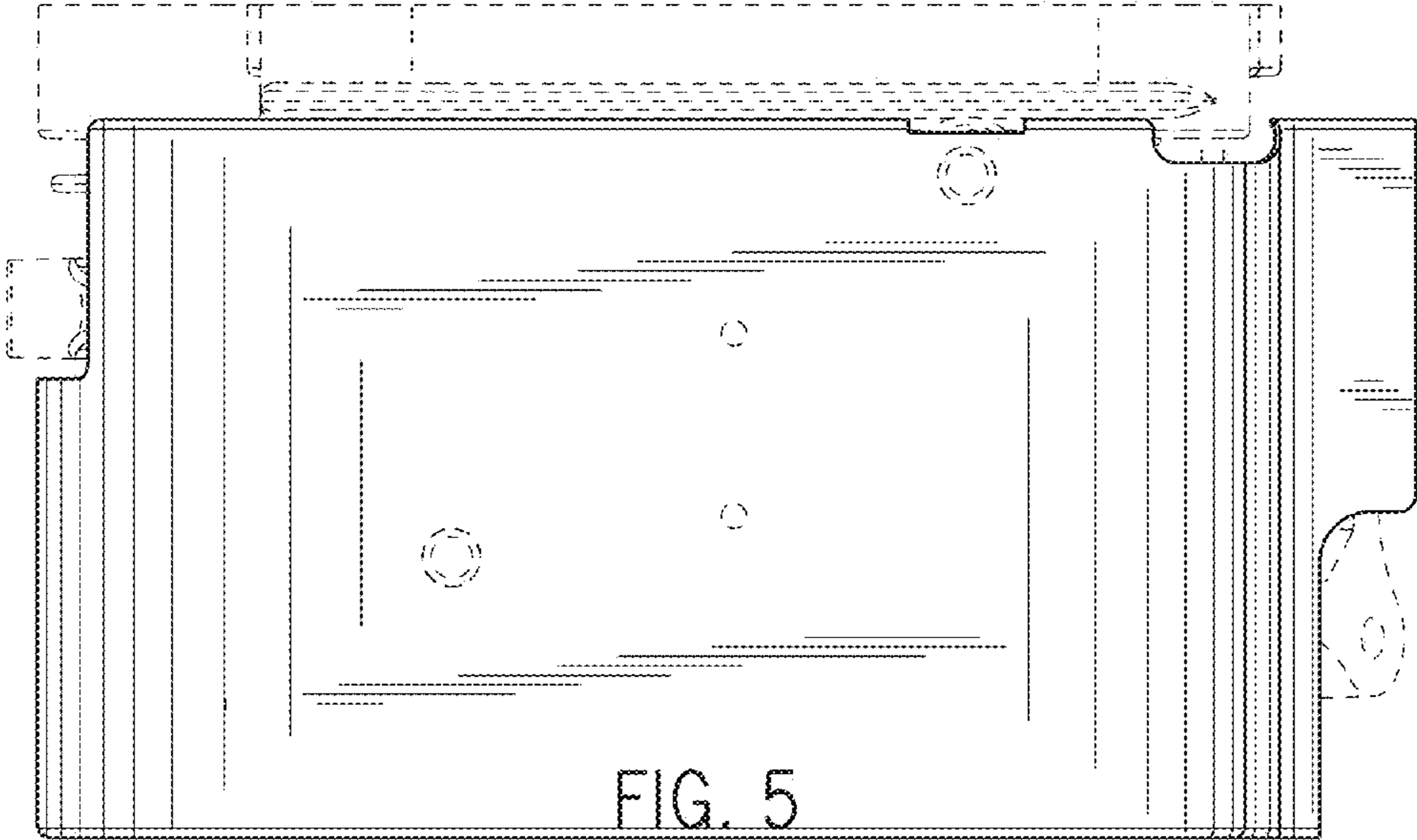


FIG. 2





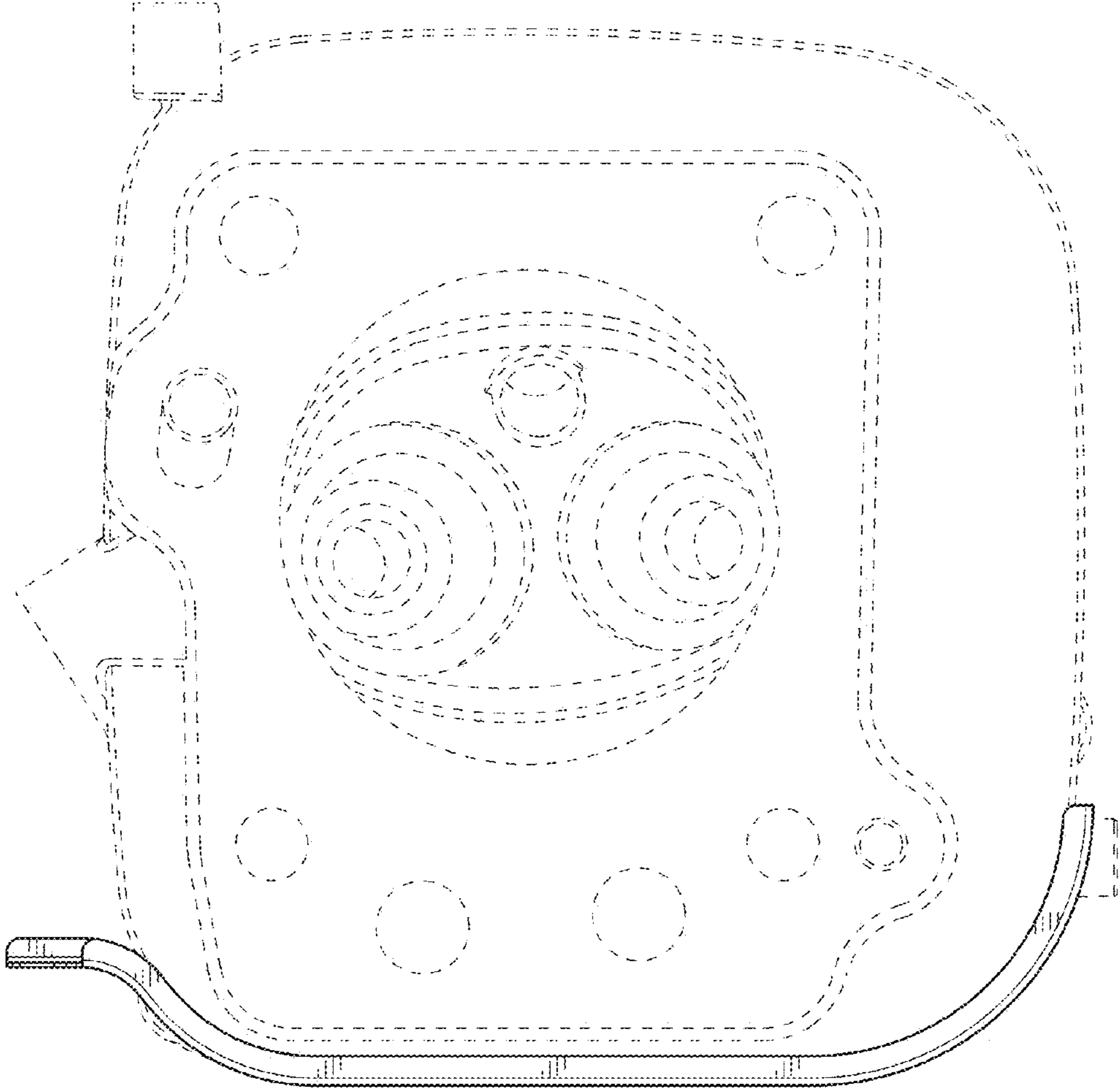


FIG. 7

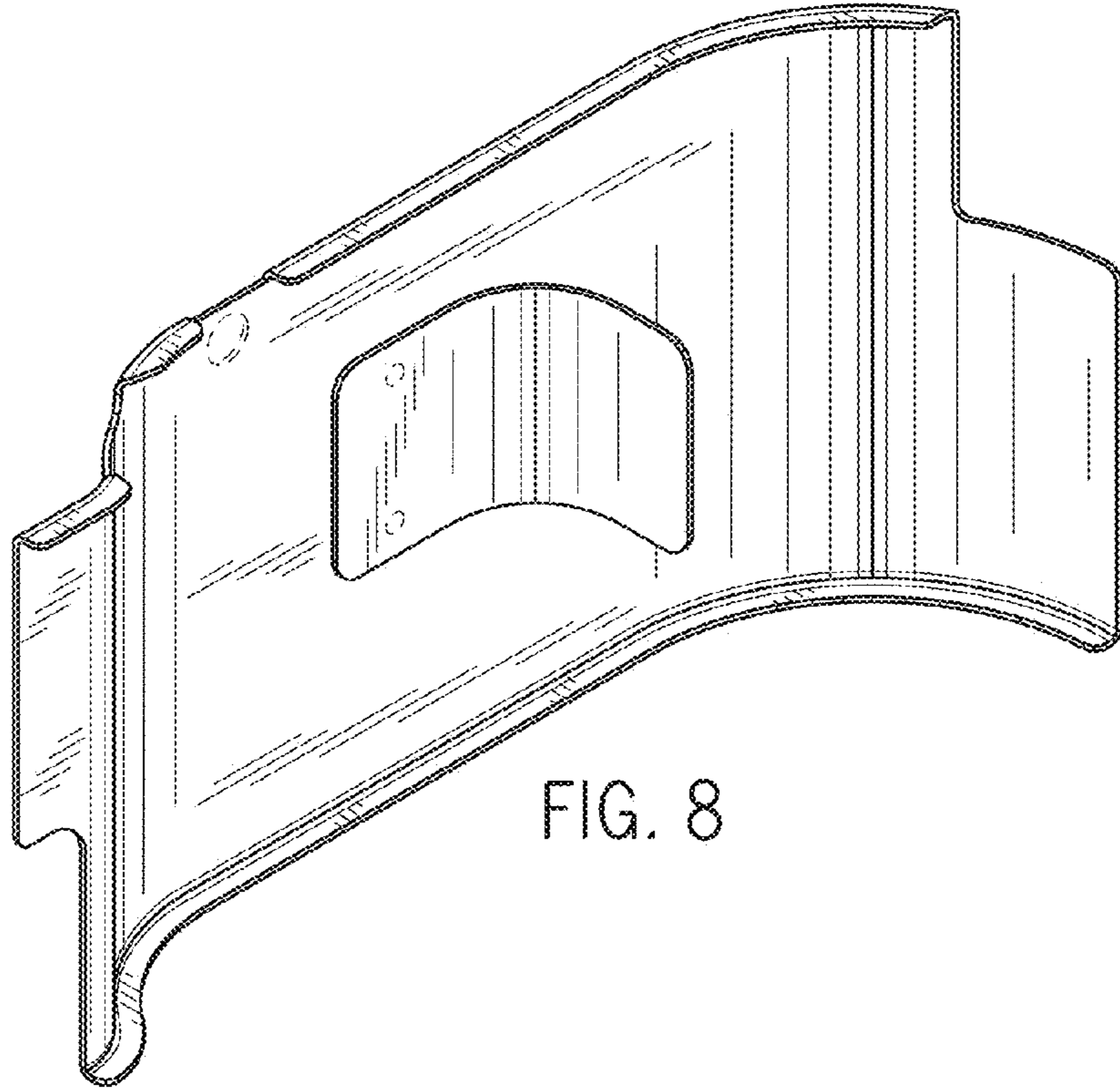


FIG. 8

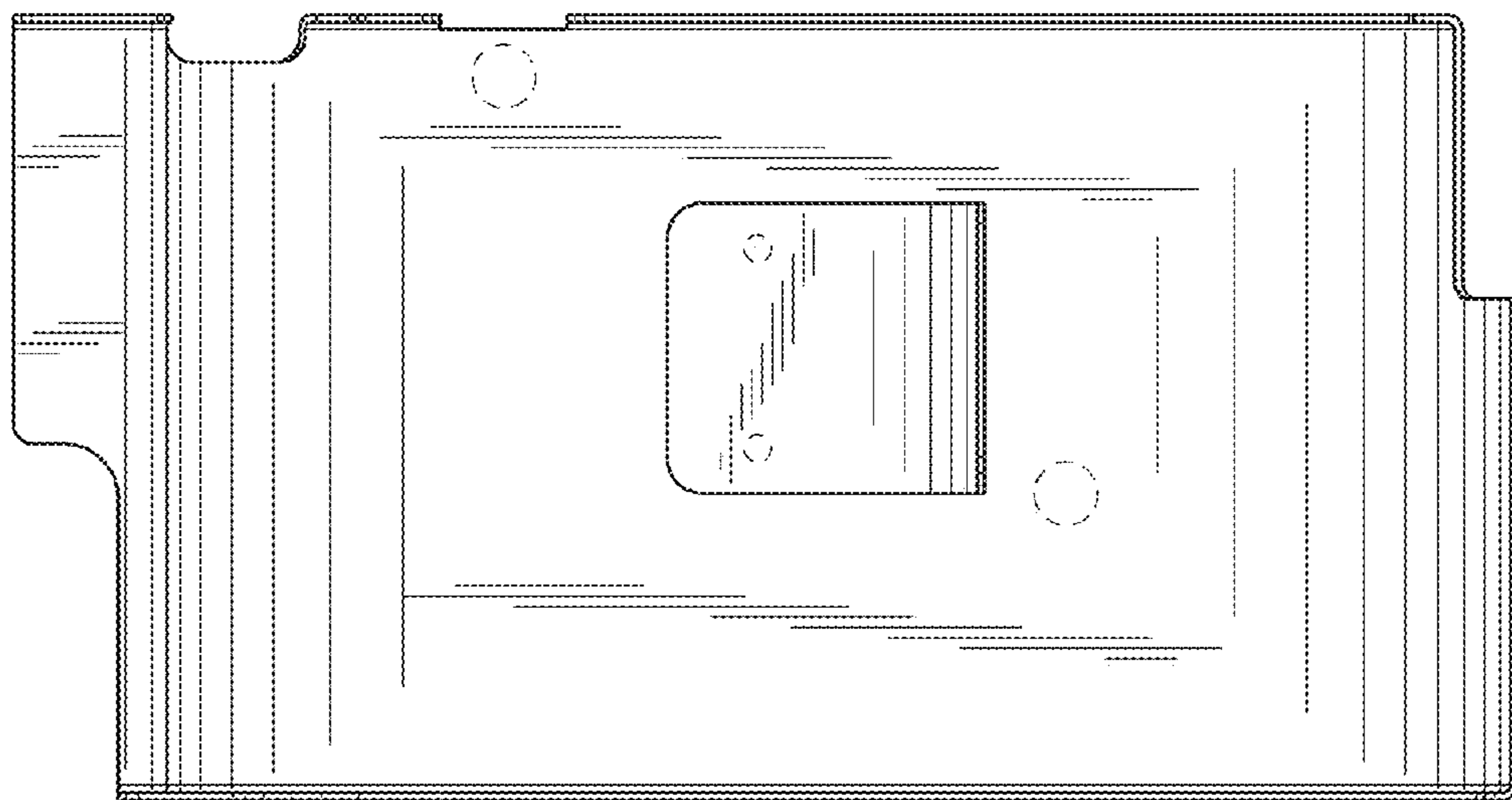


FIG. 9

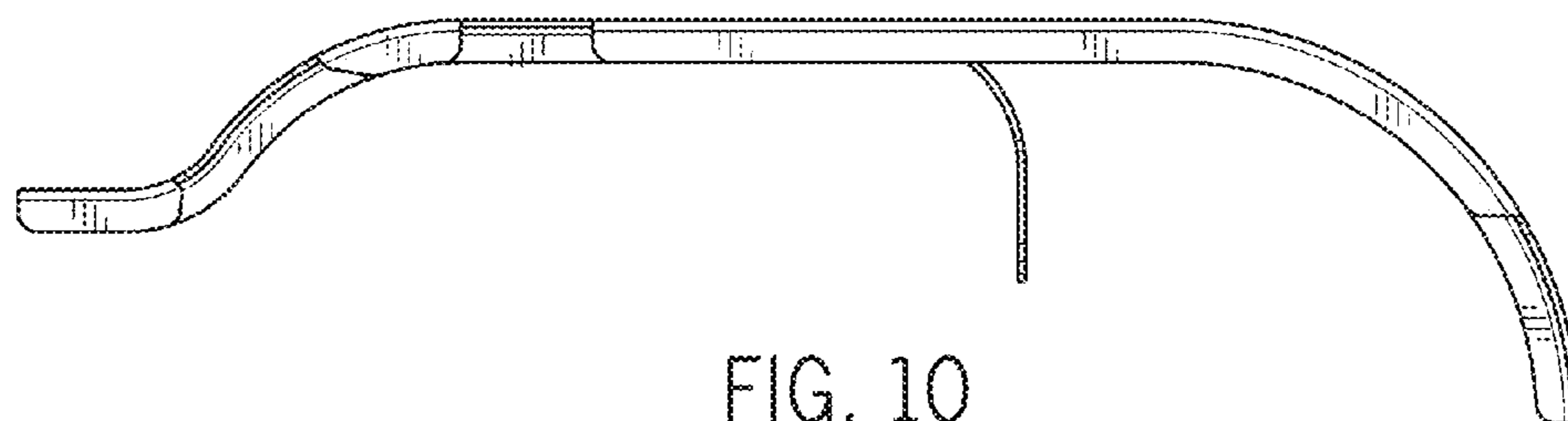


FIG. 10

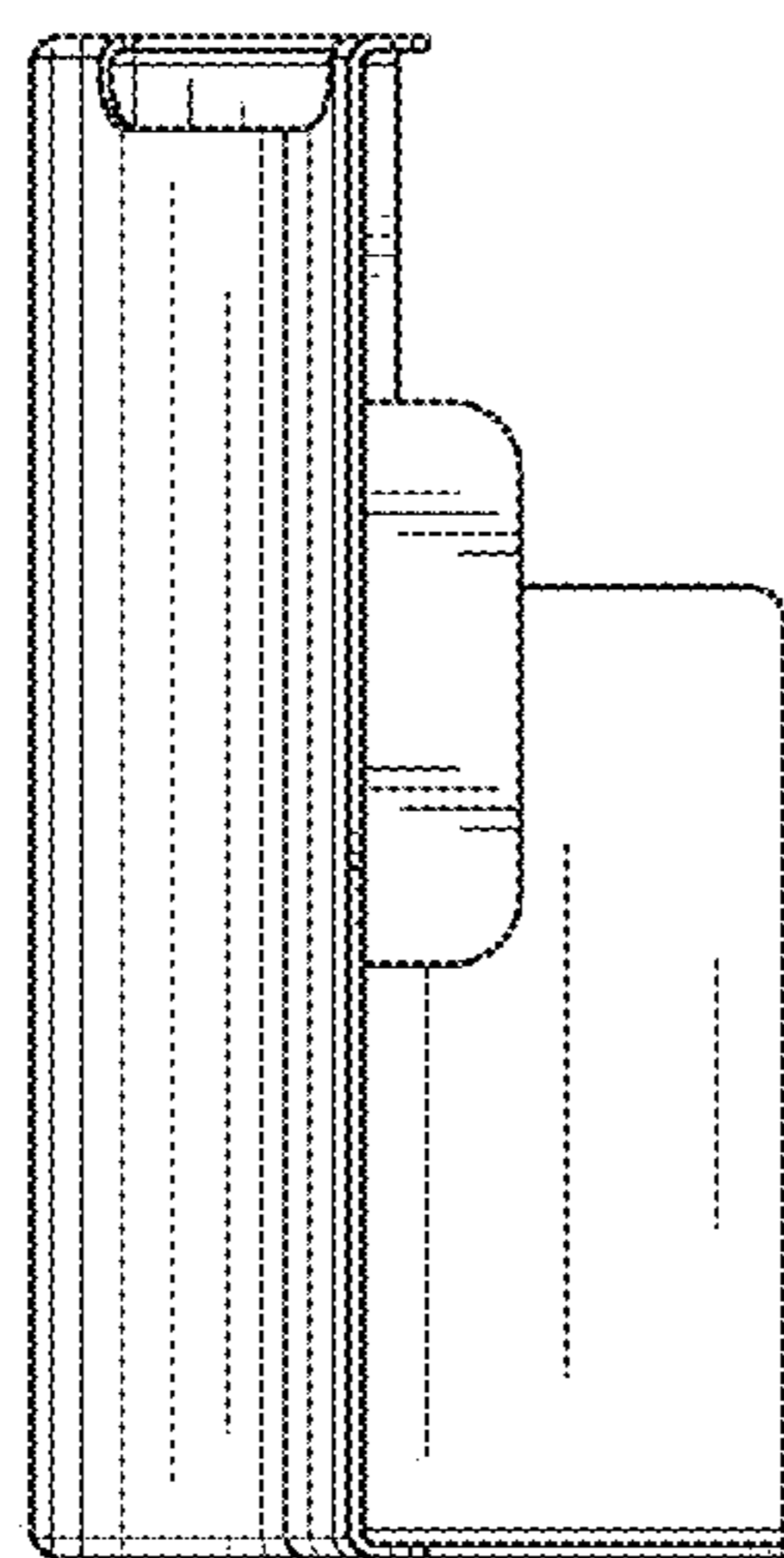


FIG. 11

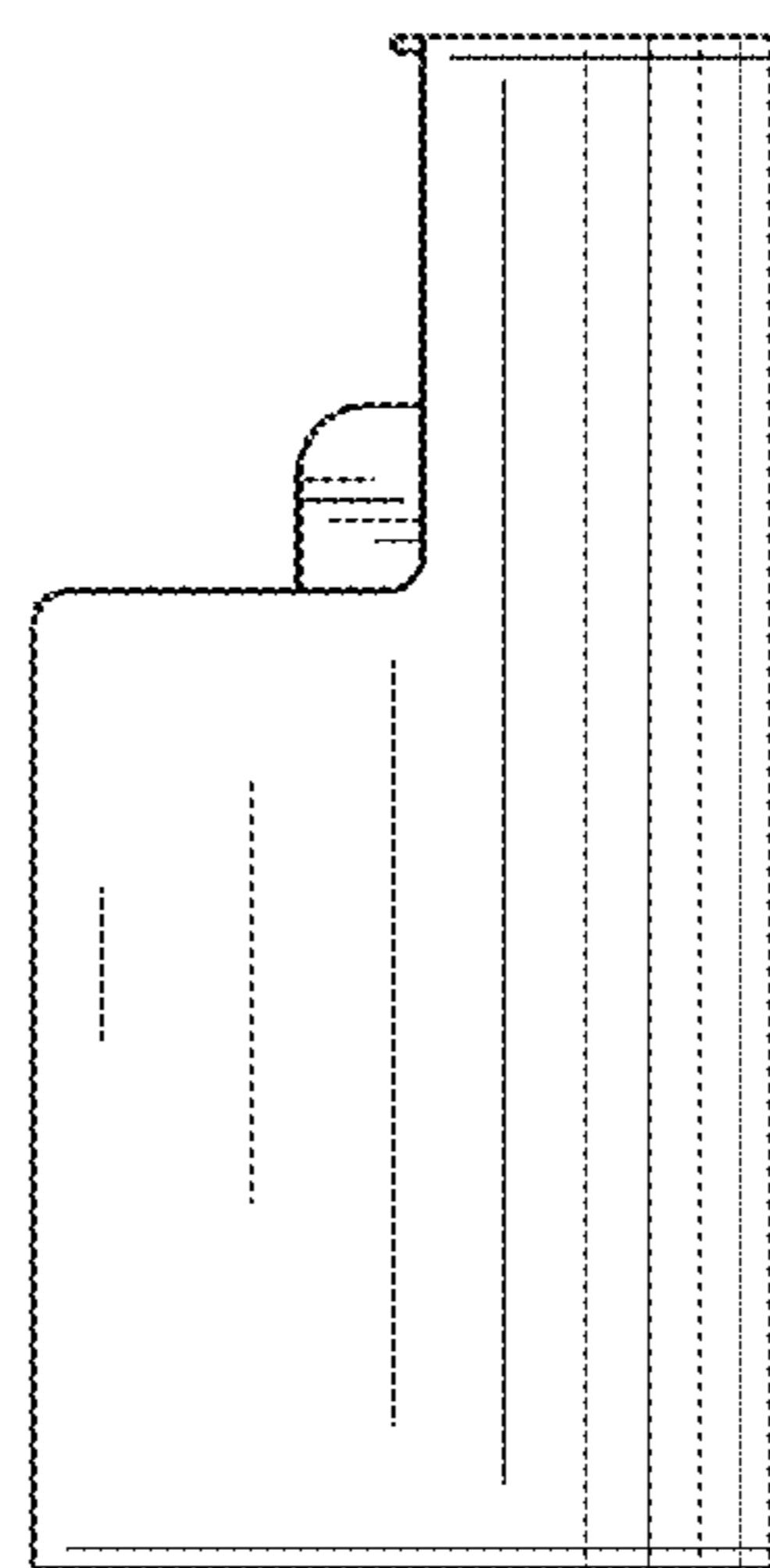


FIG. 12

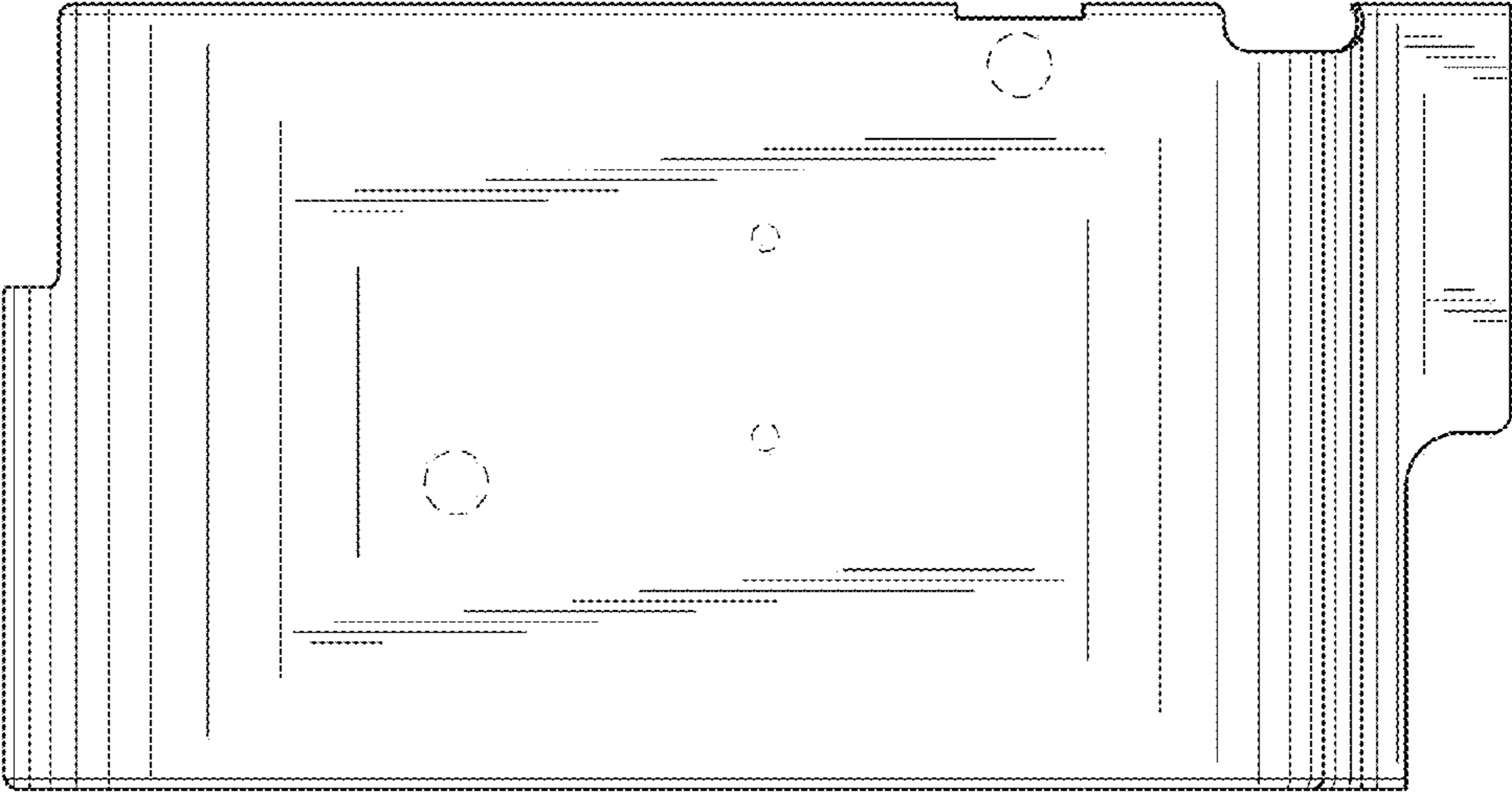


FIG. 13

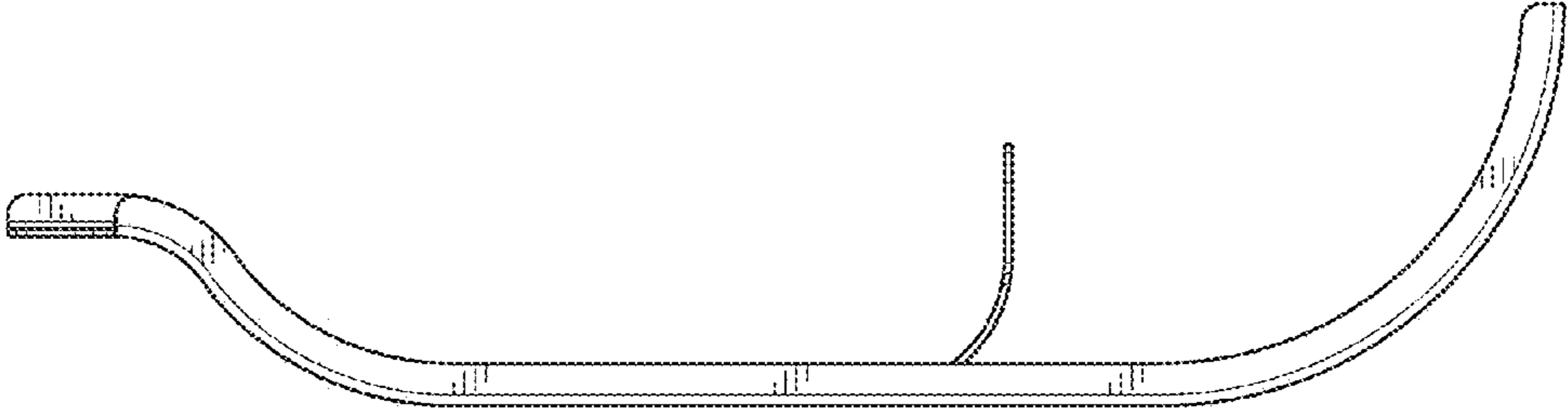


FIG. 14