



US00D726767S

(12) **United States Design Patent**  
**Shinkawa et al.**

(10) **Patent No.:** **US D726,767 S**  
(45) **Date of Patent:** **\*\* Apr. 14, 2015**

(54) **ROTATING MACHINE FOR VEHICLE**

(71) Applicant: **Meidensha Corporation**, Tokyo (JP)

(72) Inventors: **Naoya Shinkawa**, Chuo (JP); **Kazuya Murai**, Ota (JP)

(73) Assignee: **Meidensha Corporation**, Tokyo (JP)

(\*\*) Term: **14 Years**

(21) Appl. No.: **29/442,226**

(22) Filed: **Jan. 9, 2013**

(30) **Foreign Application Priority Data**

Jul. 10, 2012 (JP) ..... D2012-016301

(51) **LOC (10) Cl.** ..... **15-01**

(52) **U.S. Cl.**  
USPC ..... **D15/1**

(58) **Field of Classification Search**  
USPC ..... D15/1, 3, 5; D13/112, 101, 113, 114,  
D13/199; 91/197; 310/47, 89, 113, 166, 91  
See application file for complete search history.

(56) **References Cited**

**U.S. PATENT DOCUMENTS**

6,215,214	B1 *	4/2001	Fisher et al.	310/89
D467,541	S *	12/2002	Hemphill	D13/114
6,734,587	B2 *	5/2004	Hirsou et al.	310/68 D
7,166,945	B2 *	1/2007	Gautier	310/90
D548,696	S *	8/2007	Pourkermani et al.	D13/114
D574,325	S *	8/2008	Naghshineh	D13/114
2004/0000817	A1 *	1/2004	Hirsou et al.	310/10
2004/0164630	A1 *	8/2004	Gautier	310/89
2006/0186747	A1 *	8/2006	Regnard et al.	310/71
2006/0226720	A1 *	10/2006	Kratz et al.	310/73

2008/0136272	A1 *	6/2008	Ishikawa et al.	310/58
2008/0211331	A1 *	9/2008	Dubuc et al.	310/71
2010/0133961	A1 *	6/2010	Shirakata et al.	310/68 B

\* cited by examiner

*Primary Examiner* — T. Chase Nelson

*Assistant Examiner* — Ania Aman

(74) *Attorney, Agent, or Firm* — Foley & Lardner LLP

(57) **CLAIM**

We claim the ornamental design for a rotating machine for vehicle, as shown and described.

**DESCRIPTION**

FIG. 1 is a front perspective view of an embodiment of the claimed design;

FIG. 2 is a rear perspective view of the claimed design of FIG. 1;

FIG. 3 is a plan view of the claimed design of FIG. 1;

FIG. 4 is a bottom plan view of the claimed design of FIG. 1;

FIG. 5 is a right side view of the claimed design of FIG. 1;

FIG. 6 is a left side view of the claimed design of FIG. 1;

FIG. 7 is a front left perspective of the claimed design of FIG. 1;

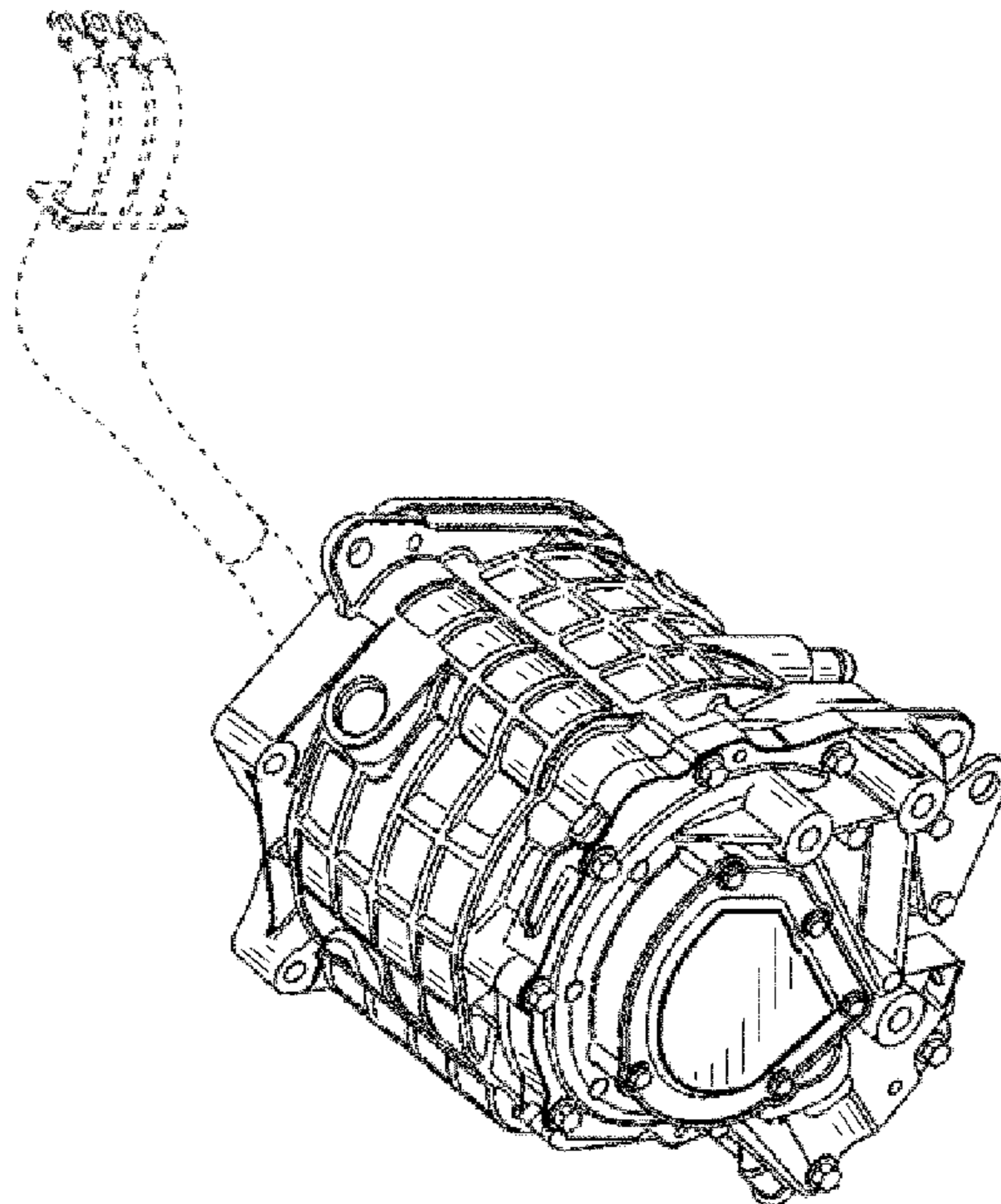
FIG. 8 is a front right perspective of the claimed design of FIG. 1;

FIG. 9 is a rear right perspective of the claimed design of FIG. 1; and,

FIG. 10 is a rear left perspective of the claimed design of FIG. 1.

The ornamental design which is claimed is shown in the drawings. The broken lines in the drawings are for illustrative purposes only and form no part of the claimed design.

**1 Claim, 10 Drawing Sheets**



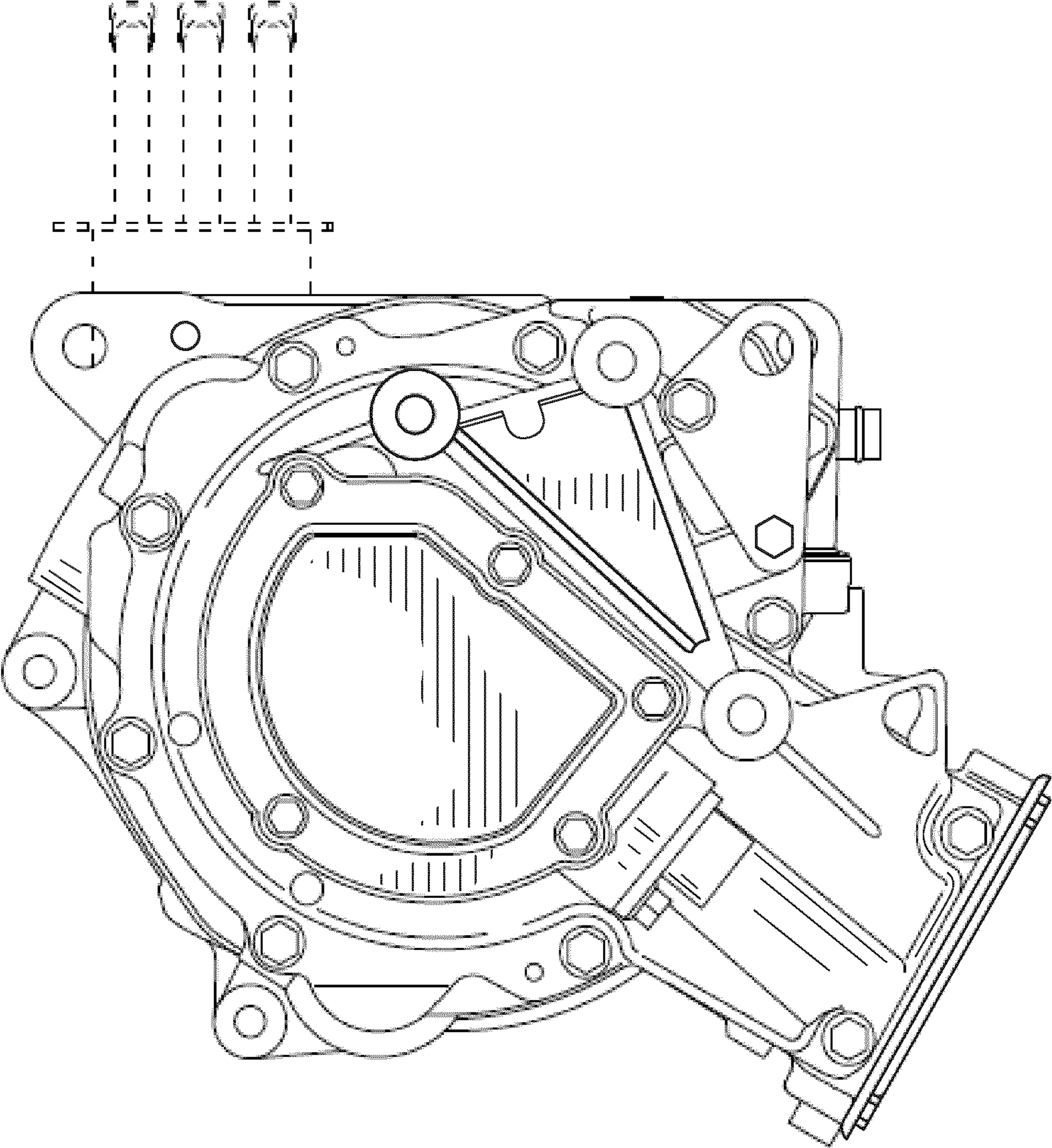


FIG. 1

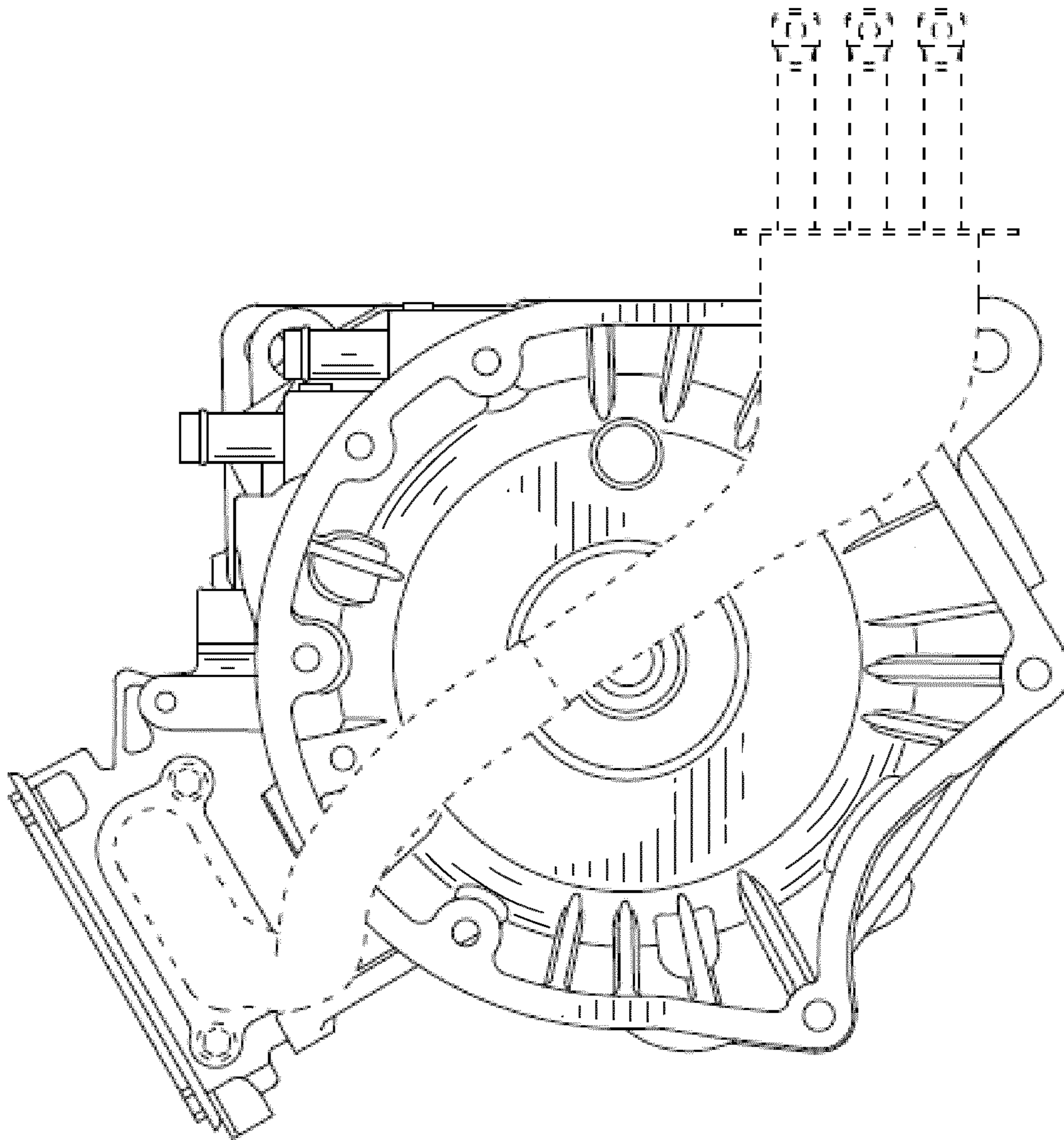


FIG. 2

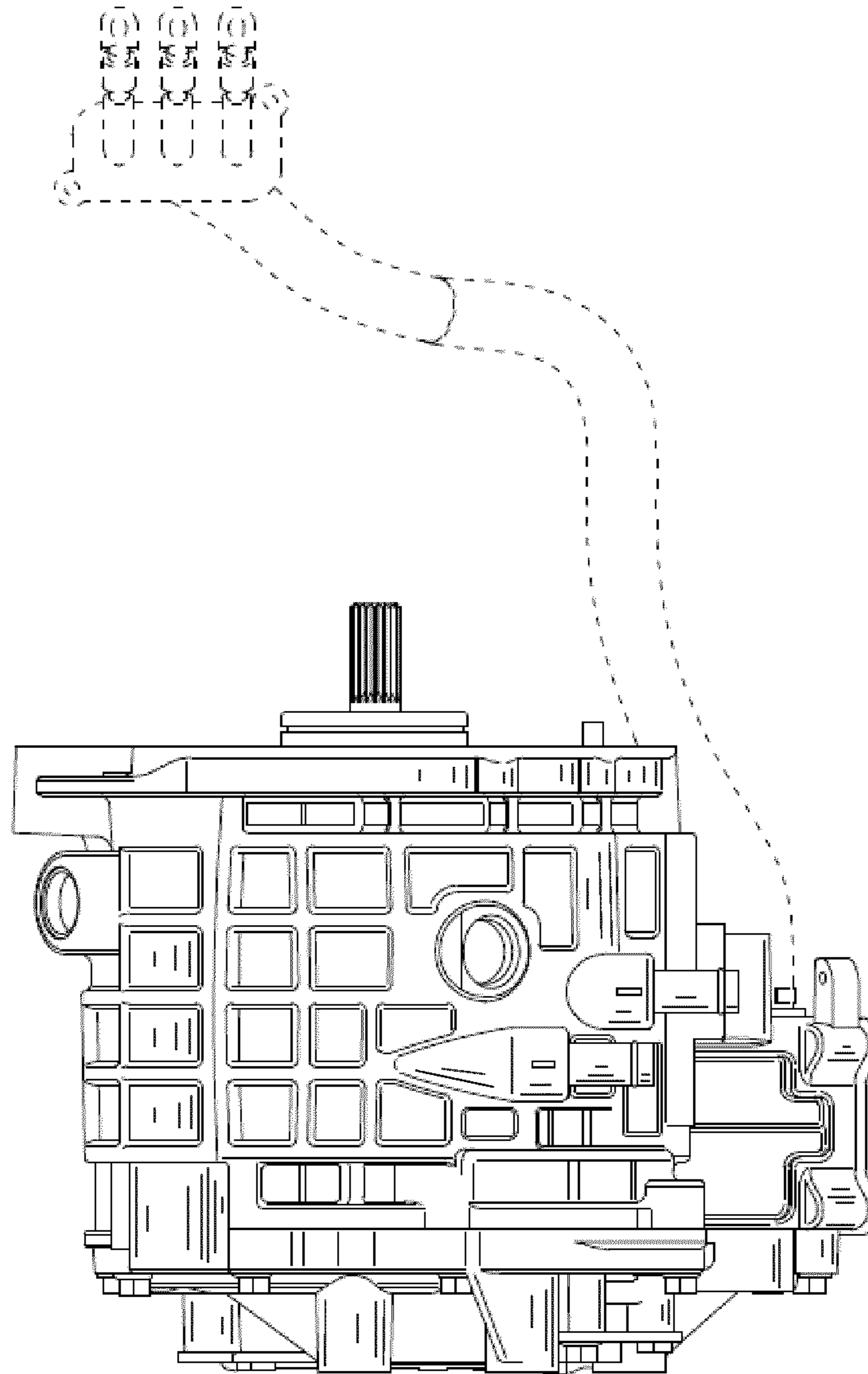


FIG. 3

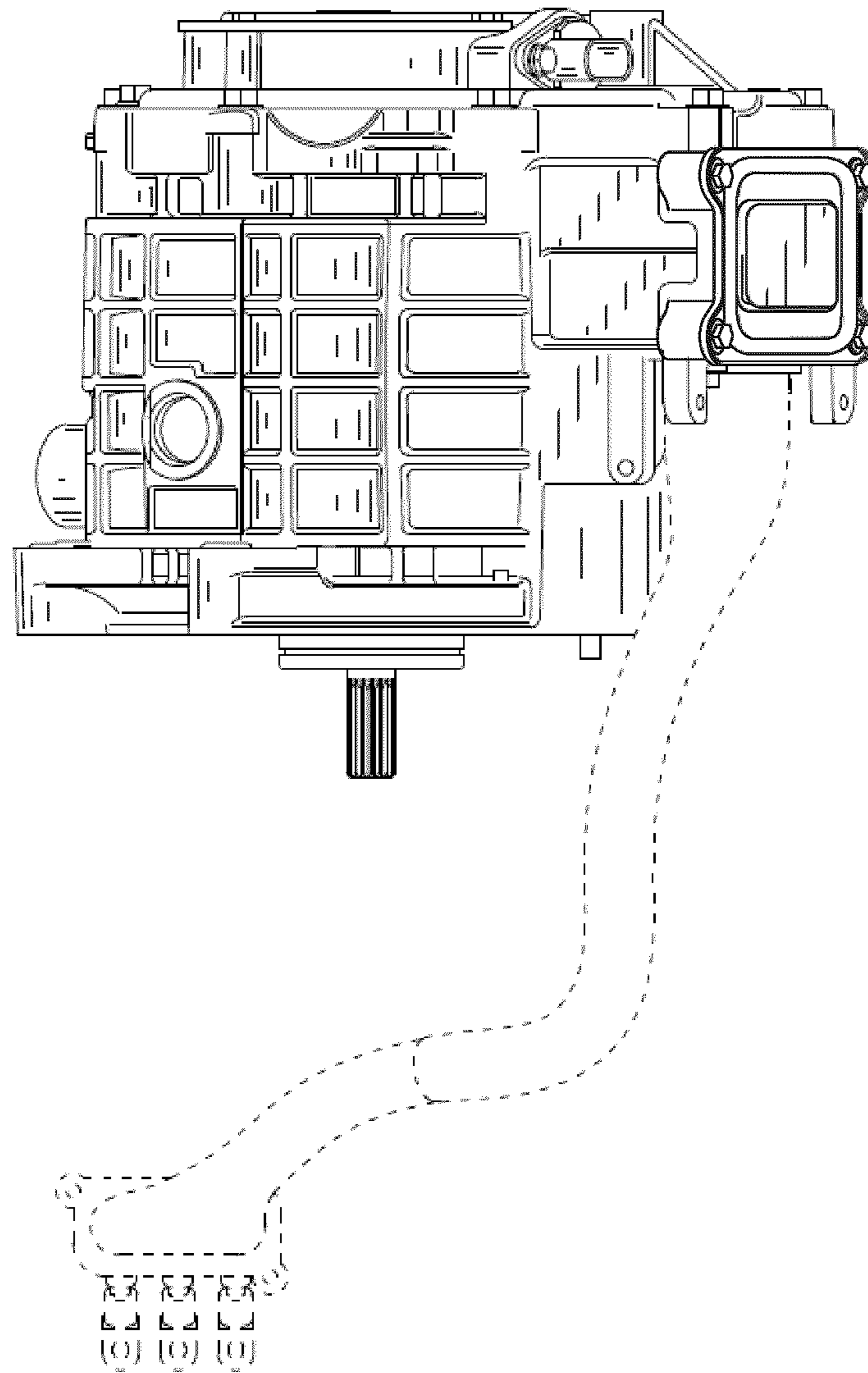


FIG. 4

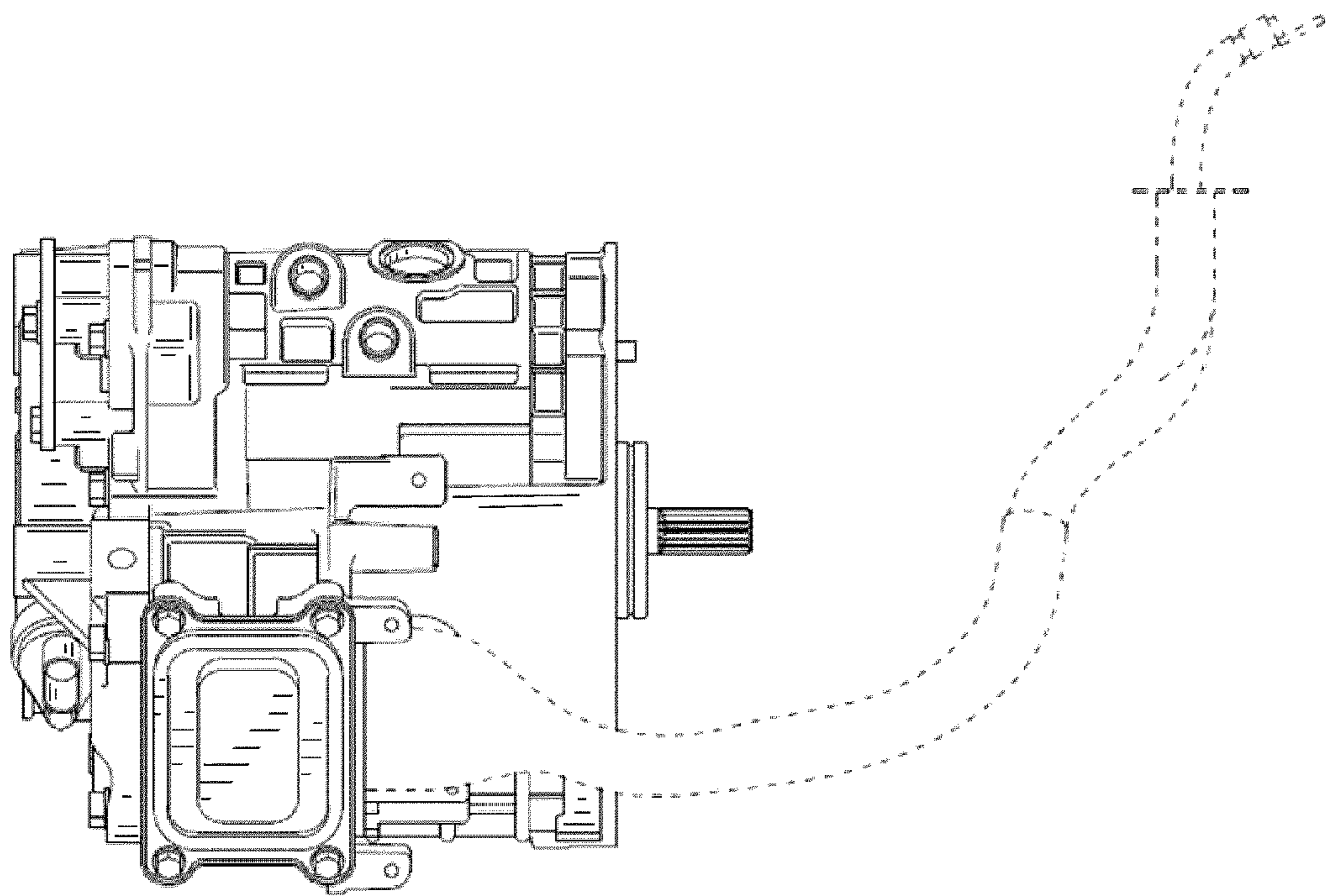


FIG. 5

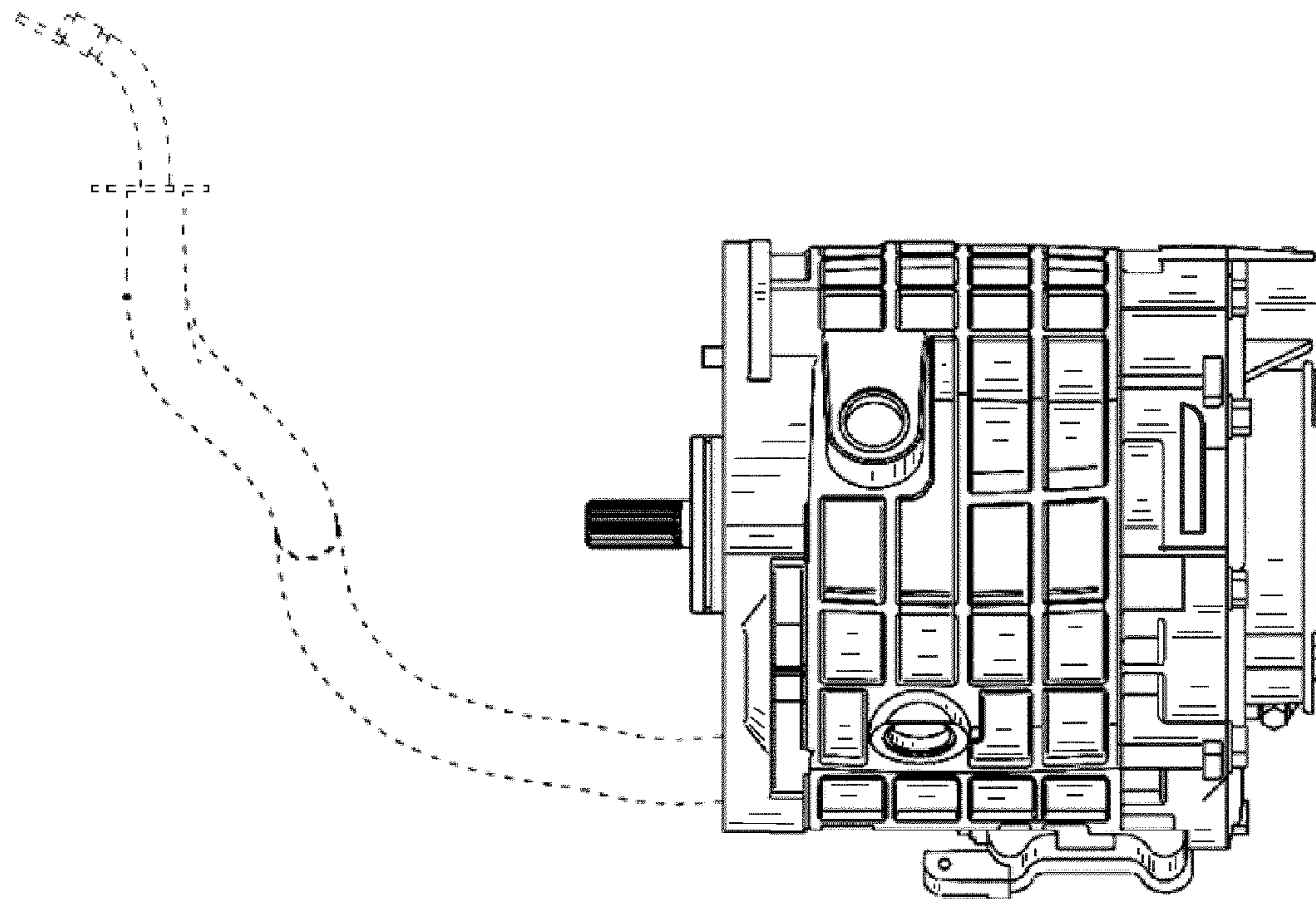


FIG. 6

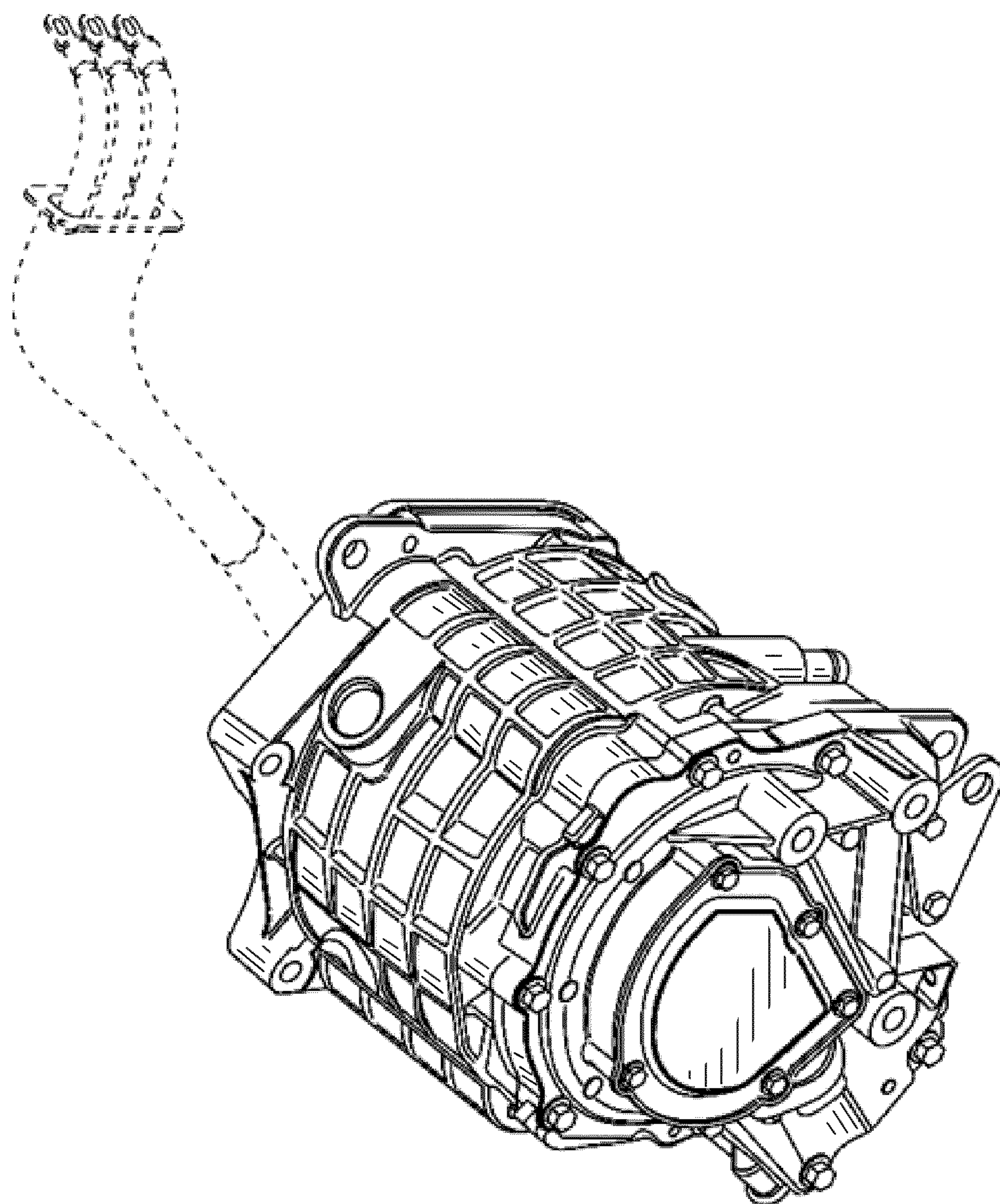


FIG. 7



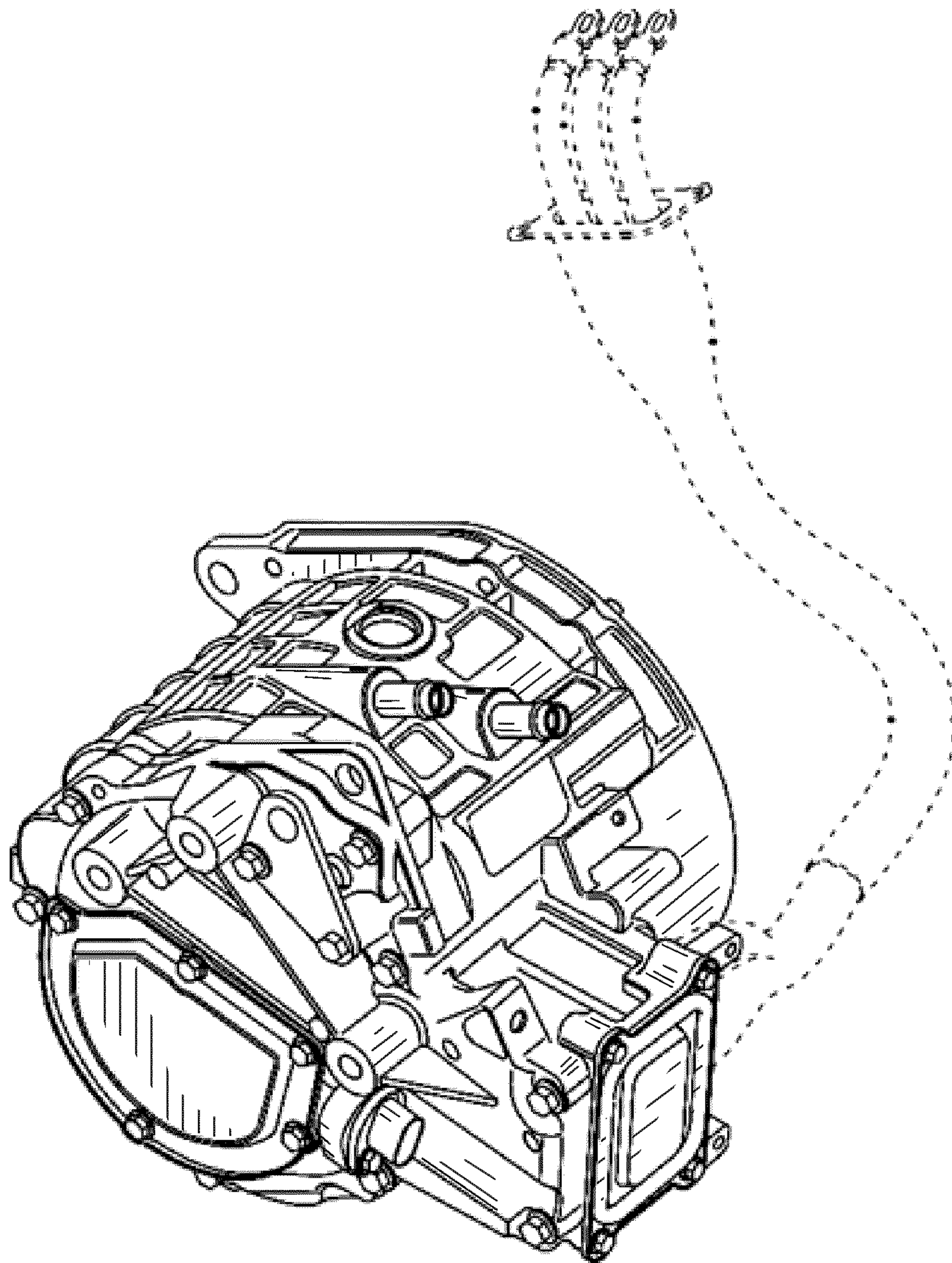


FIG. 8

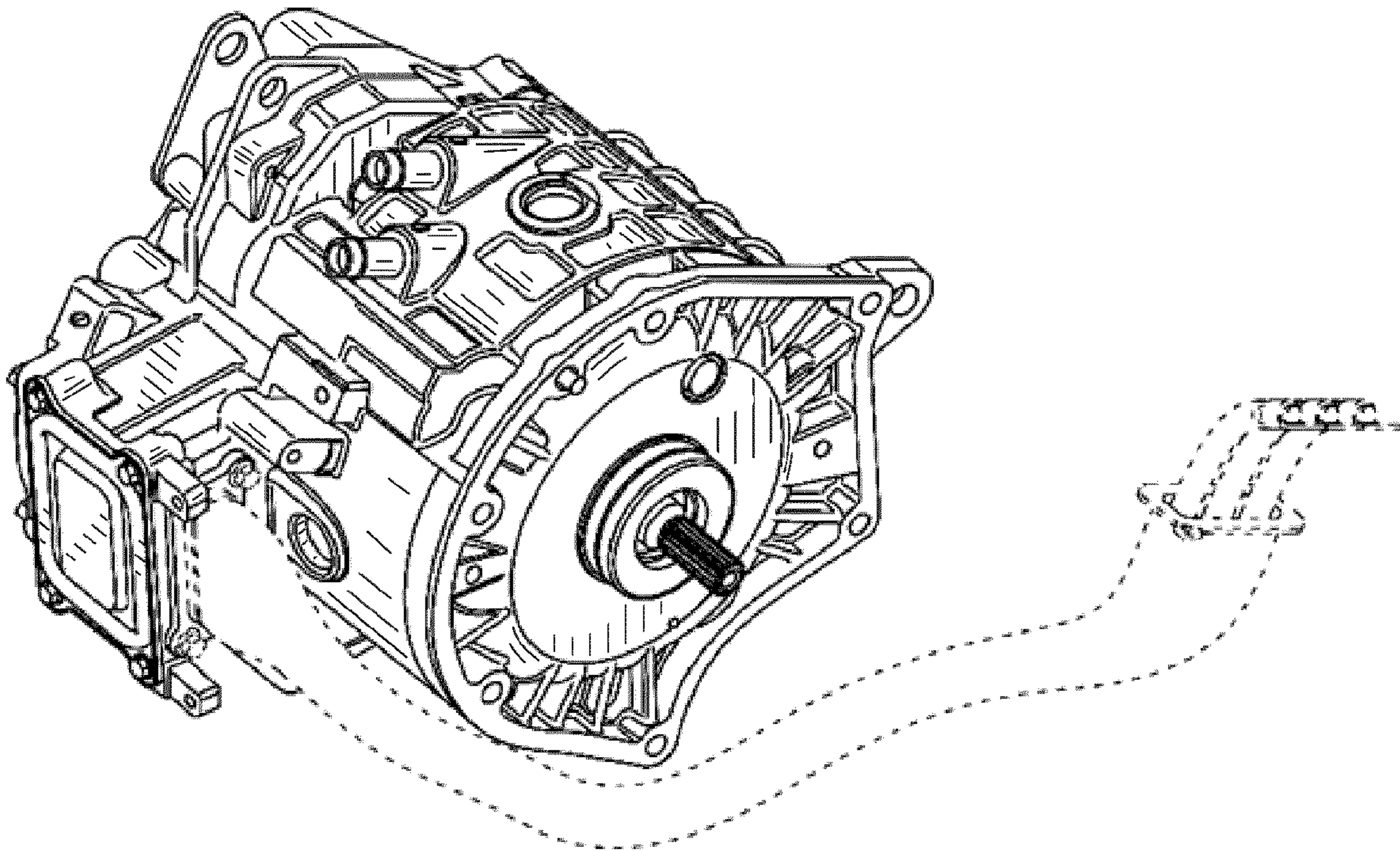


FIG. 9

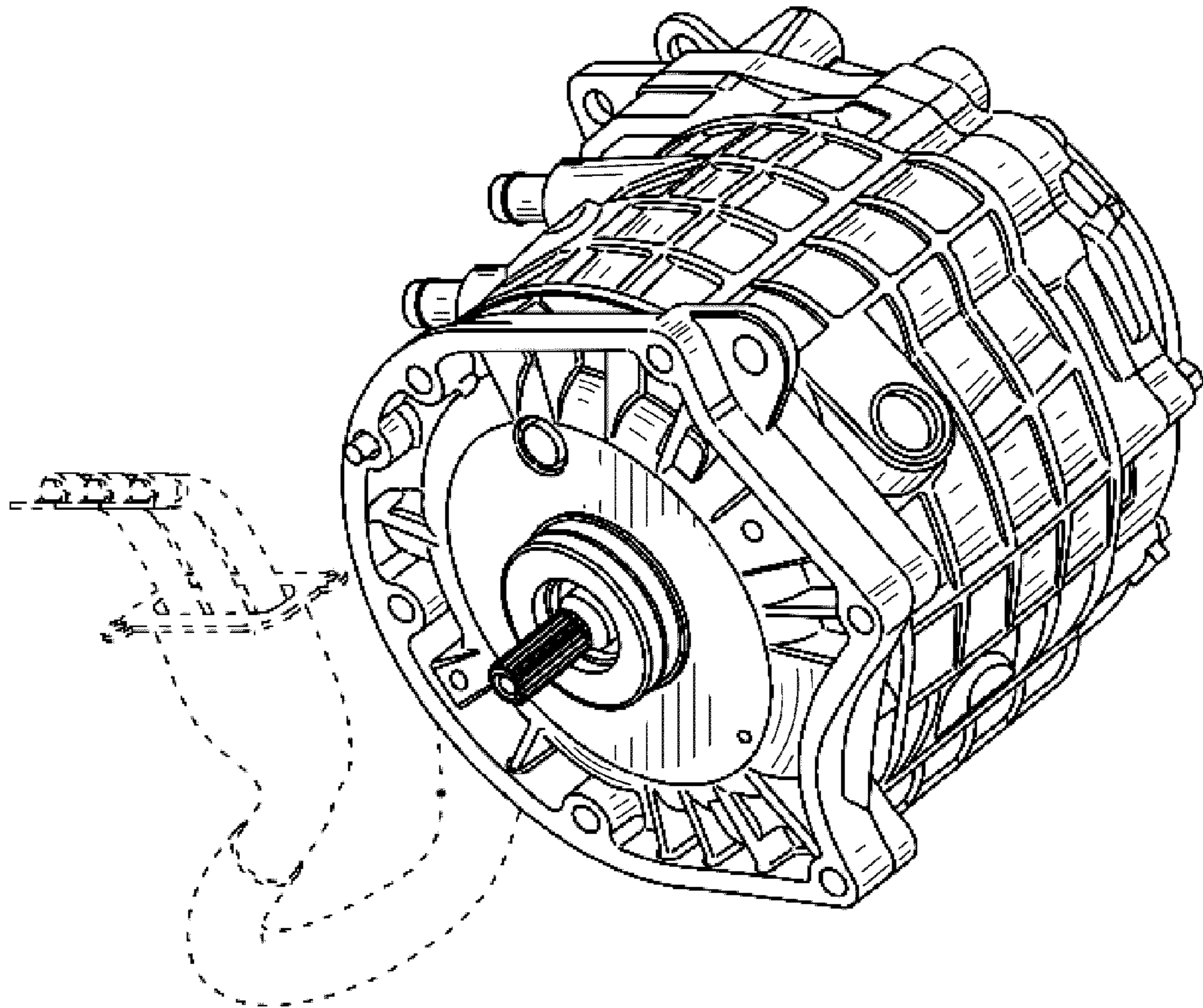


FIG. 10