



US00D726759S

(12) **United States Design Patent**  
**Brinda et al.**

(10) **Patent No.:** **US D726,759 S**  
(45) **Date of Patent:** **\*\* Apr. 14, 2015**

(54) **DISPLAY SCREEN WITH AN ANIMATED GRAPHICAL USER INTERFACE**

(75) Inventors: **David Brinda**, Bellevue, WA (US);  
**Sheng-Hsin Huang**, Taoyuan County (TW); **Jye Rong**, Taoyuan County (TW);  
**Wei-Chia Yen**, Taoyuan County (TW)

(73) Assignee: **HTC Corporation**, Taoyuan (TW)

(\*\*) Term: **14 Years**

(21) Appl. No.: **29/404,949**

(22) Filed: **Oct. 27, 2011**

(51) **LOC (10) Cl.** ..... **14-04**

(52) **U.S. Cl.**  
USPC ..... **D14/488**

(58) **Field of Classification Search**  
CPC ..... G06F 3/048–3/04897  
USPC ..... D14/485–95; D18/24–33; D19/6, 52;  
D20/11; D21/324–33; 715/700–867,  
715/973–77

See application file for complete search history.

(56) **References Cited**

U.S. PATENT DOCUMENTS

D341,848 S \* 11/1993 Bigelow et al. .... D18/27  
5,499,334 A \* 3/1996 Staab ..... 715/778

(Continued)

*Primary Examiner* — Melanie H Tung

(74) *Attorney, Agent, or Firm* — Jianq Chyun IP Office

(57) **CLAIM**

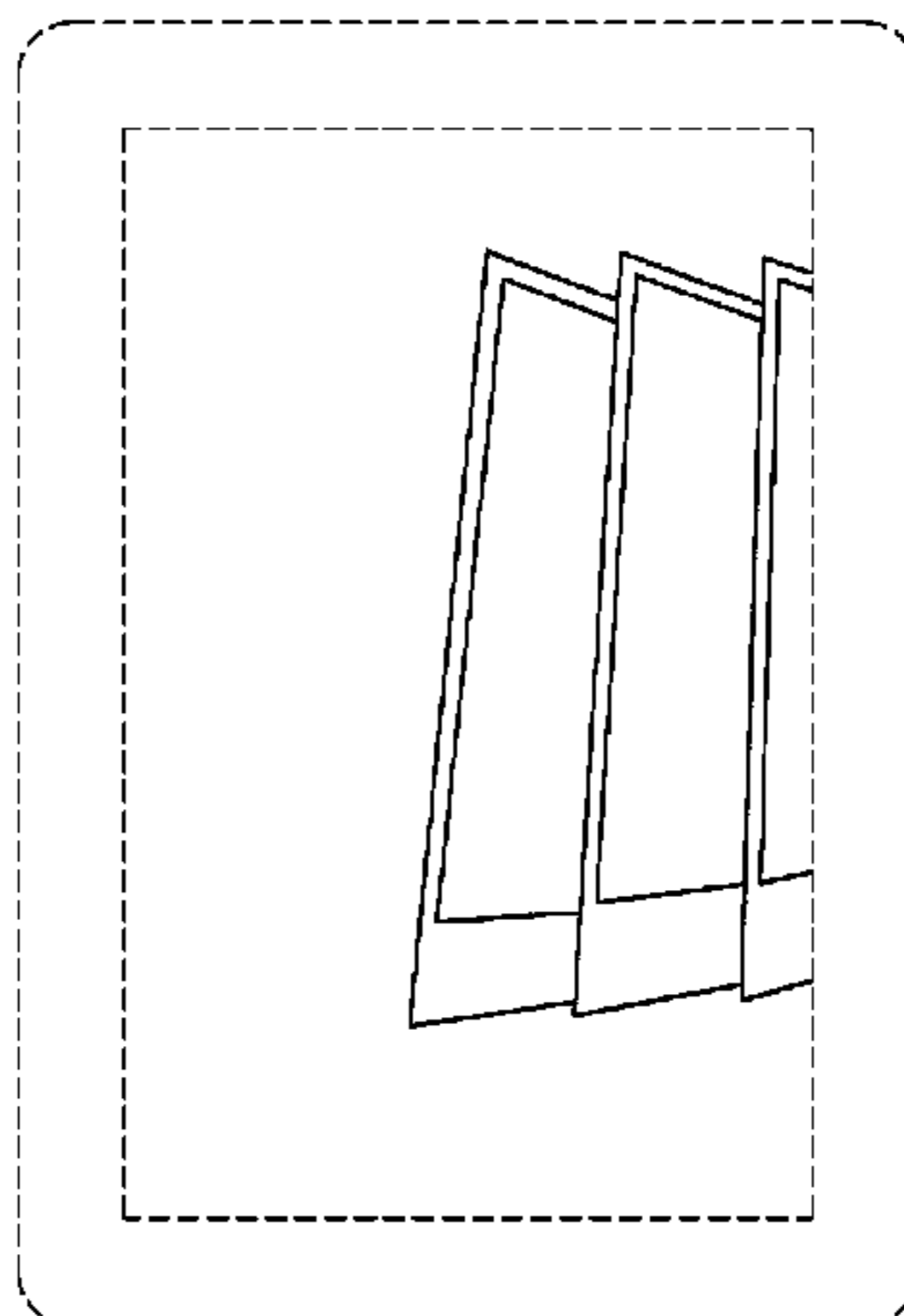
The ornamental design for a display screen with an animated graphical user interface, as shown and described.

**DESCRIPTION**

FIG. 1 is a front view of the first image of a display screen with an animated graphical user interface showing a first embodiment of our new design;

FIG. 2 is a front view of a second image of the first embodiment;  
FIG. 3 is a front view of a third image of the first embodiment;  
FIG. 4 is a front view of a fourth image of the first embodiment;  
FIG. 5 is a front view of a fifth image of the first embodiment;  
FIG. 6 is a front view of the first image of a display screen with an animated graphical user interface showing a second embodiment of our new design;  
FIG. 7 is a front view of a second image of the second embodiment;  
FIG. 8 is a front view of a third image of the second embodiment;  
FIG. 9 is a front view of a fourth image of the second embodiment;  
FIG. 10 is a front view of a fifth image of the second embodiment;  
FIG. 11 is a front view of the first image of a display screen with an animated graphical user interface showing a third embodiment of our new design;  
FIG. 12 is a front view of a second image of the third embodiment;  
FIG. 13 is a front view of a third image of the third embodiment;  
FIG. 14 is a front view of a fourth image of the third embodiment;  
FIG. 15 is a front view of a fifth image of the third embodiment;  
FIG. 16 is a front view of the first image of a display screen with an animated graphical user interface showing a fourth embodiment of our new design;  
FIG. 17 is a front view of a second image of the fourth embodiment;  
FIG. 18 is a front view of a third image of the fourth embodiment;  
FIG. 19 is a front view of a fourth image of the fourth embodiment; and,  
FIG. 20 is a front view of a fifth image of the fourth embodiment.  
The broken line drawing of a display screen in all views forms no part of the claimed design. The broken line showing of portions of the animated graphical user interface form no part of the claimed design.  
The appearance of the transitional image sequentially transitions between the images shown in FIGS. 1-5 of the first embodiment, FIGS. 6-10 of the second embodiment, FIGS. 11-15 of the third embodiment and FIGS. 16-20 of the fourth embodiment. The process or period in which one image transitions to another image forms no part of the claimed design.

**1 Claim, 20 Drawing Sheets**



(56)

References Cited

U.S. PATENT DOCUMENTS

D385,870 S \* 11/1997 Thomas ..... D14/491  
 5,690,340 A \* 11/1997 Musleh ..... 273/459  
 D395,297 S \* 6/1998 Cheng et al. .... D14/488  
 D398,299 S \* 9/1998 Ballay et al. .... D14/488  
 7,051,291 B2 \* 5/2006 Sciammarella et al. .... 715/838  
 7,178,111 B2 \* 2/2007 Glein et al. .... 715/848  
 D554,144 S \* 10/2007 Hally et al. .... D14/487  
 D555,662 S \* 11/2007 Nagata et al. .... D14/487  
 D555,663 S \* 11/2007 Nagata et al. .... D14/488  
 D568,892 S \* 5/2008 Stabb et al. .... D14/485  
 D598,928 S \* 8/2009 Hirsch et al. .... D14/485  
 7,657,846 B2 \* 2/2010 Banks et al. .... 715/836  
 D611,053 S \* 3/2010 Kanga et al. .... D14/485  
 D611,486 S \* 3/2010 Hirsch et al. .... D14/485  
 D612,391 S \* 3/2010 Fletcher et al. .... D14/486  
 D613,300 S \* 4/2010 Chaudhri ..... D14/488  
 D614,664 S \* 4/2010 Barcheck et al. .... D14/493  
 D616,450 S \* 5/2010 Simons et al. .... D14/486

D623,057 S \* 9/2010 Kletz ..... D9/434  
 D624,927 S \* 10/2010 Allen et al. .... D14/486  
 D628,210 S \* 11/2010 Luke et al. .... D14/486  
 D633,920 S \* 3/2011 Luke et al. .... D14/488  
 D636,785 S \* 4/2011 Brinda ..... D14/488  
 D637,198 S \* 5/2011 Furuya et al. .... D14/486  
 D637,606 S \* 5/2011 Luke et al. .... D14/488  
 D645,872 S \* 9/2011 Smith ..... D14/488  
 D648,347 S \* 11/2011 Chaudhri ..... D14/488  
 D650,799 S \* 12/2011 Wantland et al. .... D14/493  
 D663,312 S \* 7/2012 David et al. .... D14/487  
 D663,313 S \* 7/2012 David et al. .... D14/487  
 D663,314 S \* 7/2012 David et al. .... D14/487  
 D683,345 S \* 5/2013 Akana et al. .... D14/341  
 D688,676 S \* 8/2013 Okumura et al. .... D14/486  
 D705,250 S \* 5/2014 Khanna ..... D14/488  
 D707,249 S \* 6/2014 Yamada ..... D14/488  
 2006/0161868 A1 \* 7/2006 Van Dok et al. .... 715/835  
 2009/0313578 A1 \* 12/2009 Roh et al. .... 715/790  
 2011/0138320 A1 \* 6/2011 Vronay et al. .... 715/781

\* cited by examiner

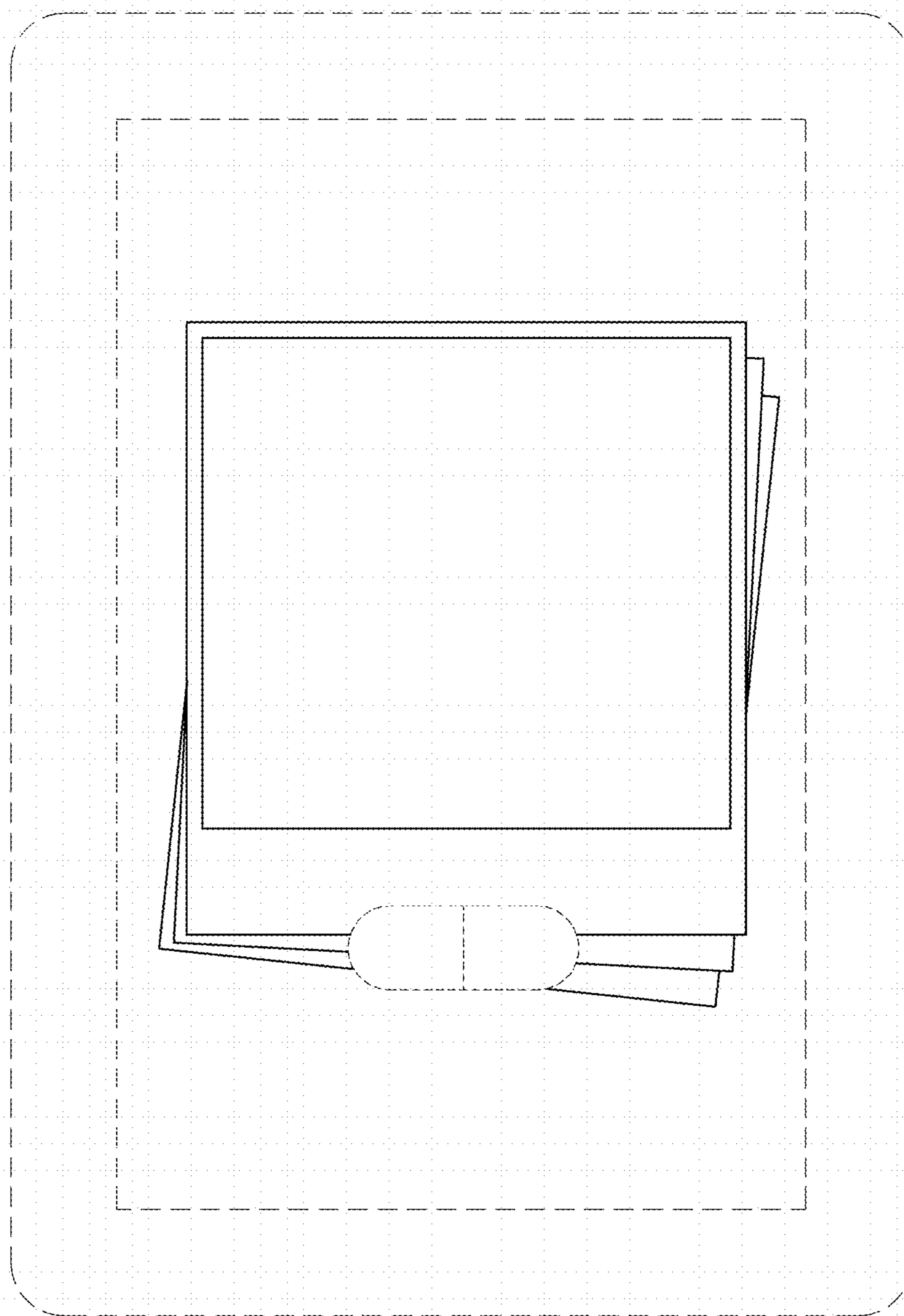


FIG. 1

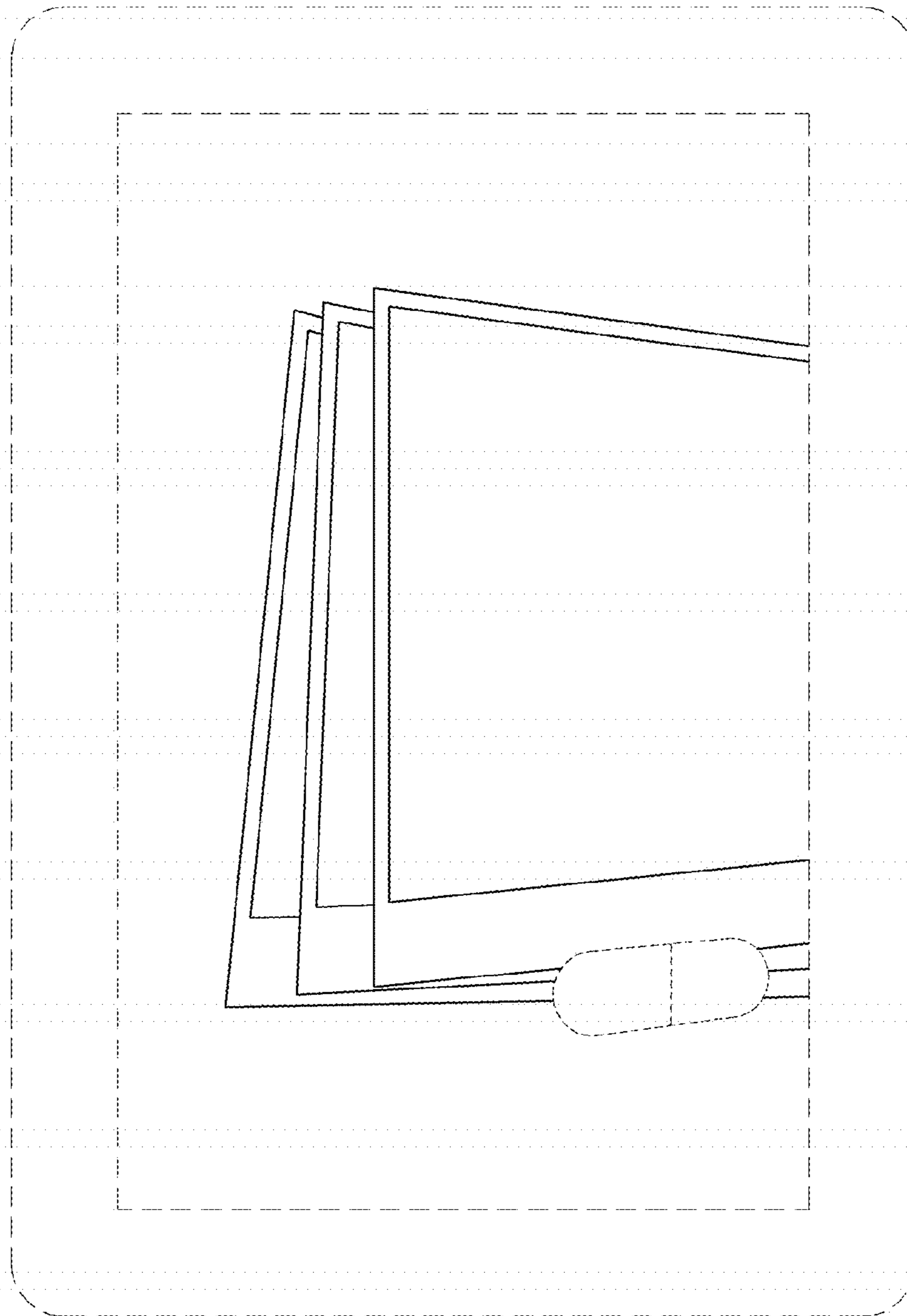


FIG. 2

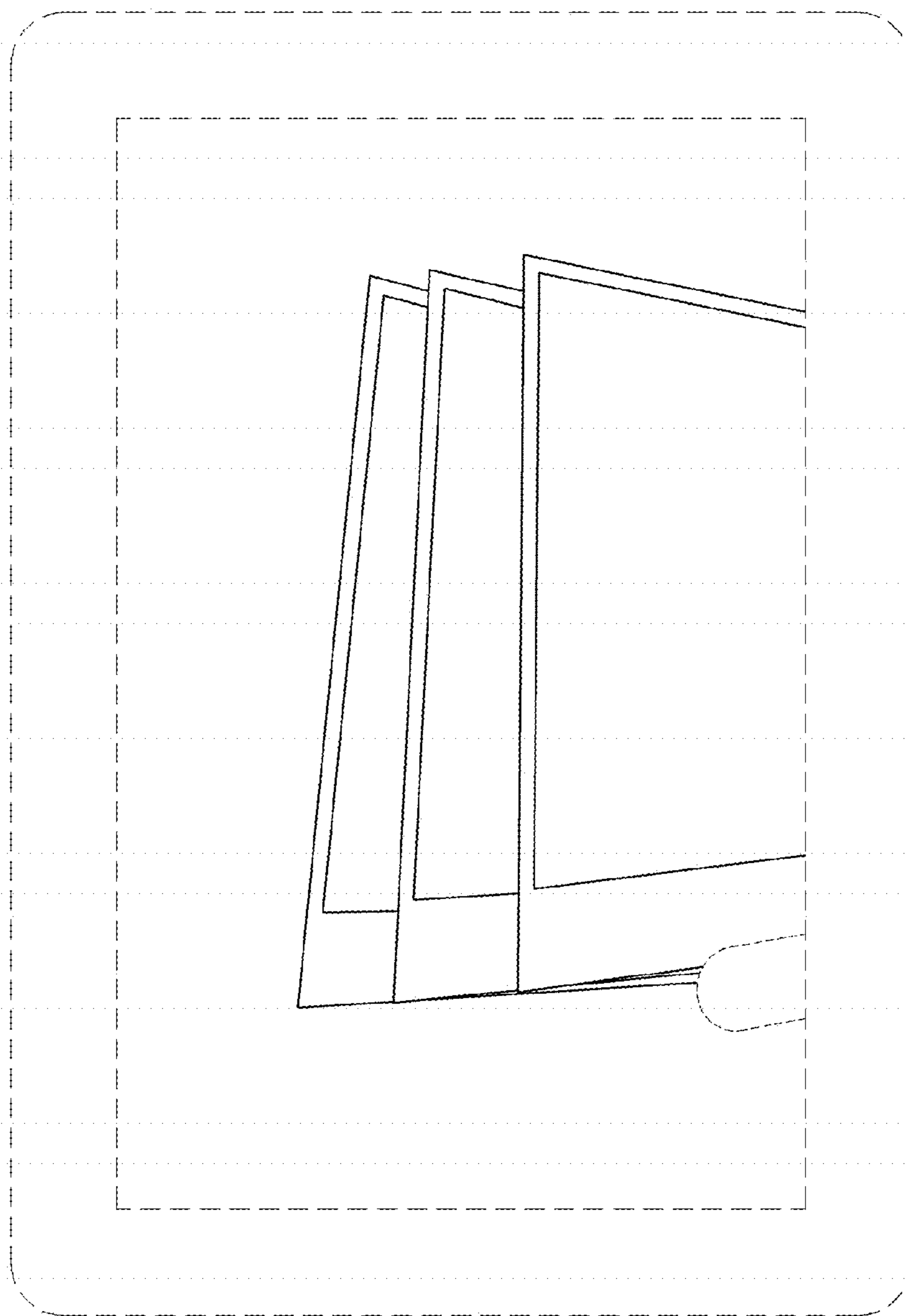


FIG. 3

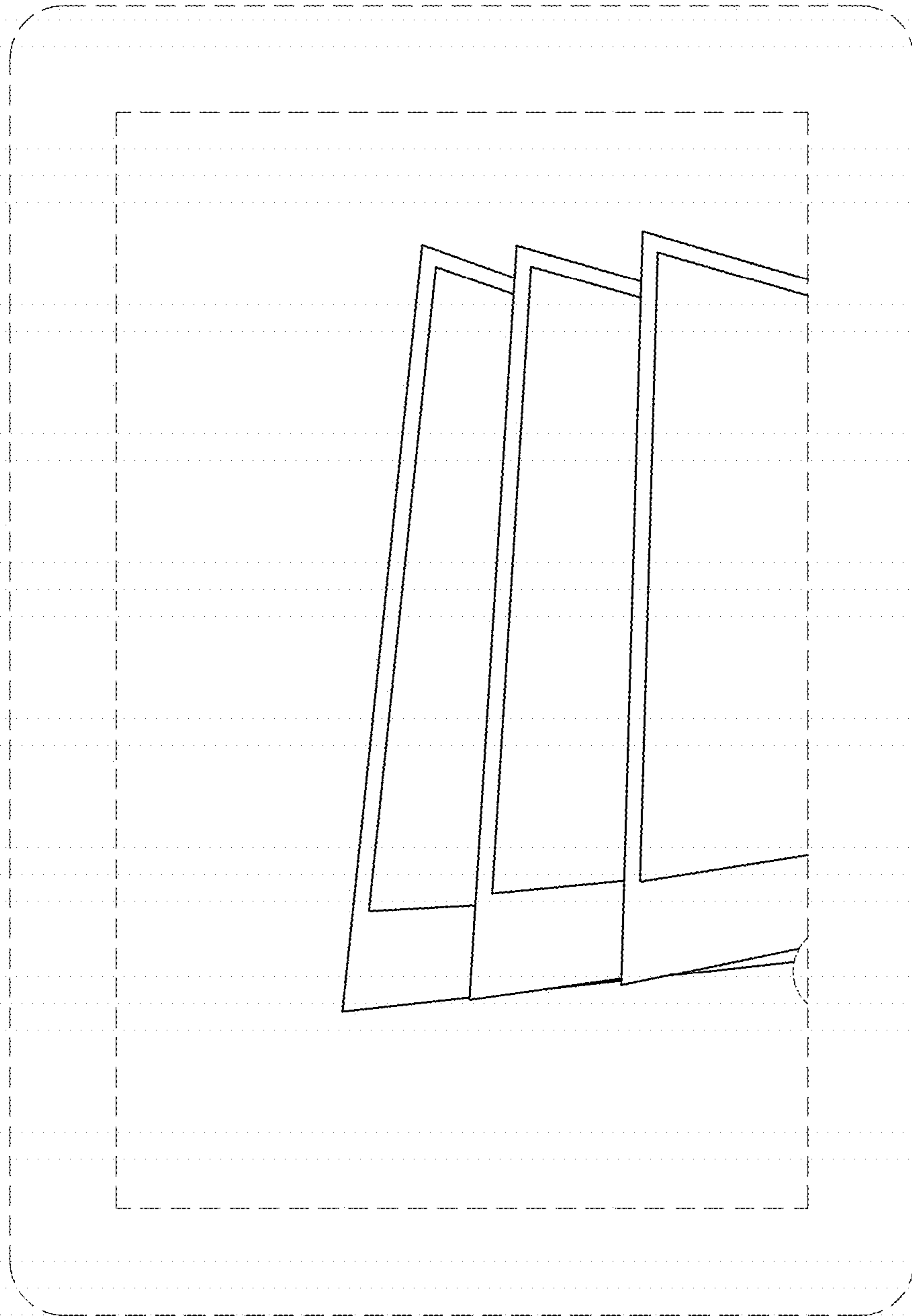


FIG. 4

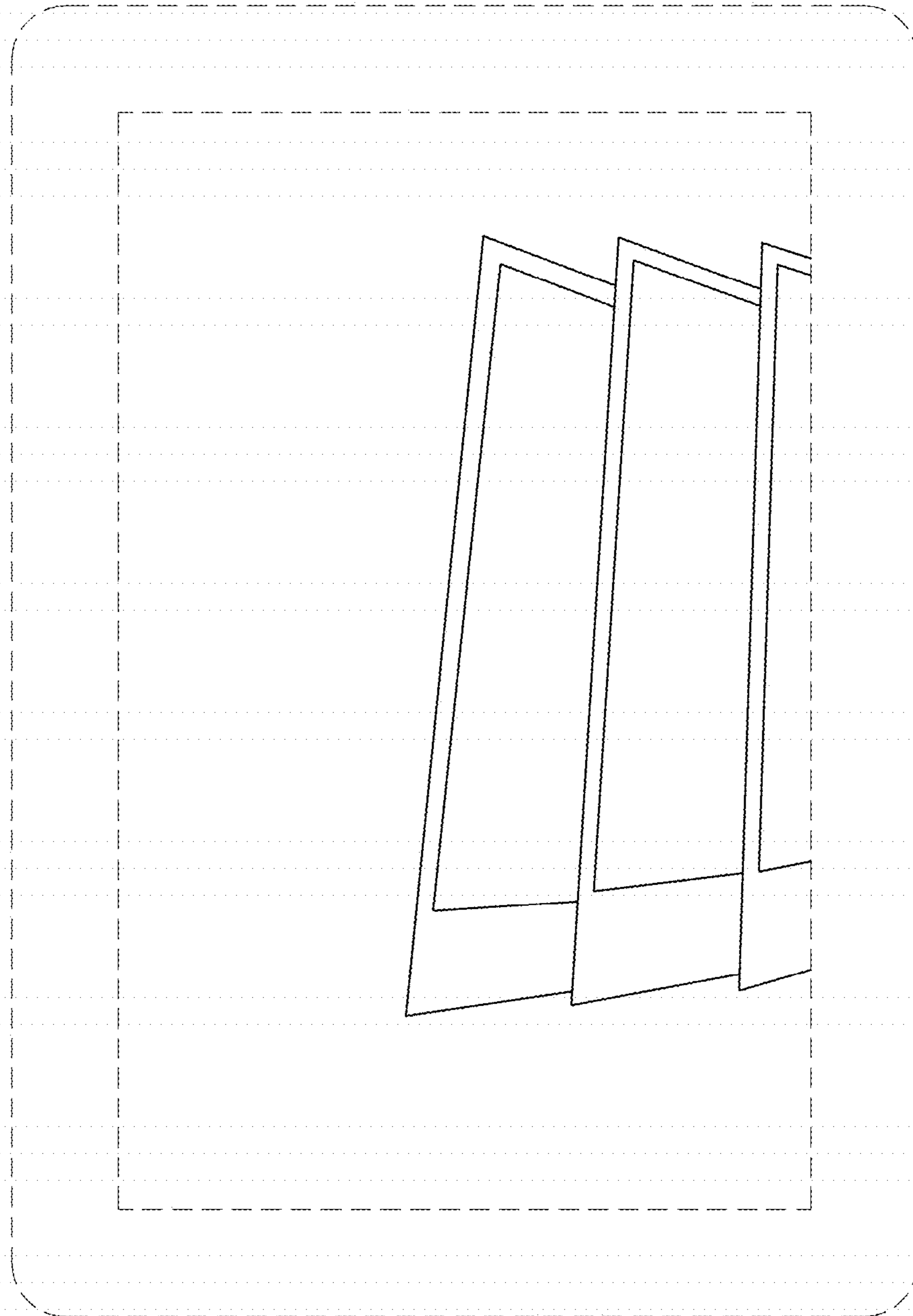


FIG. 5

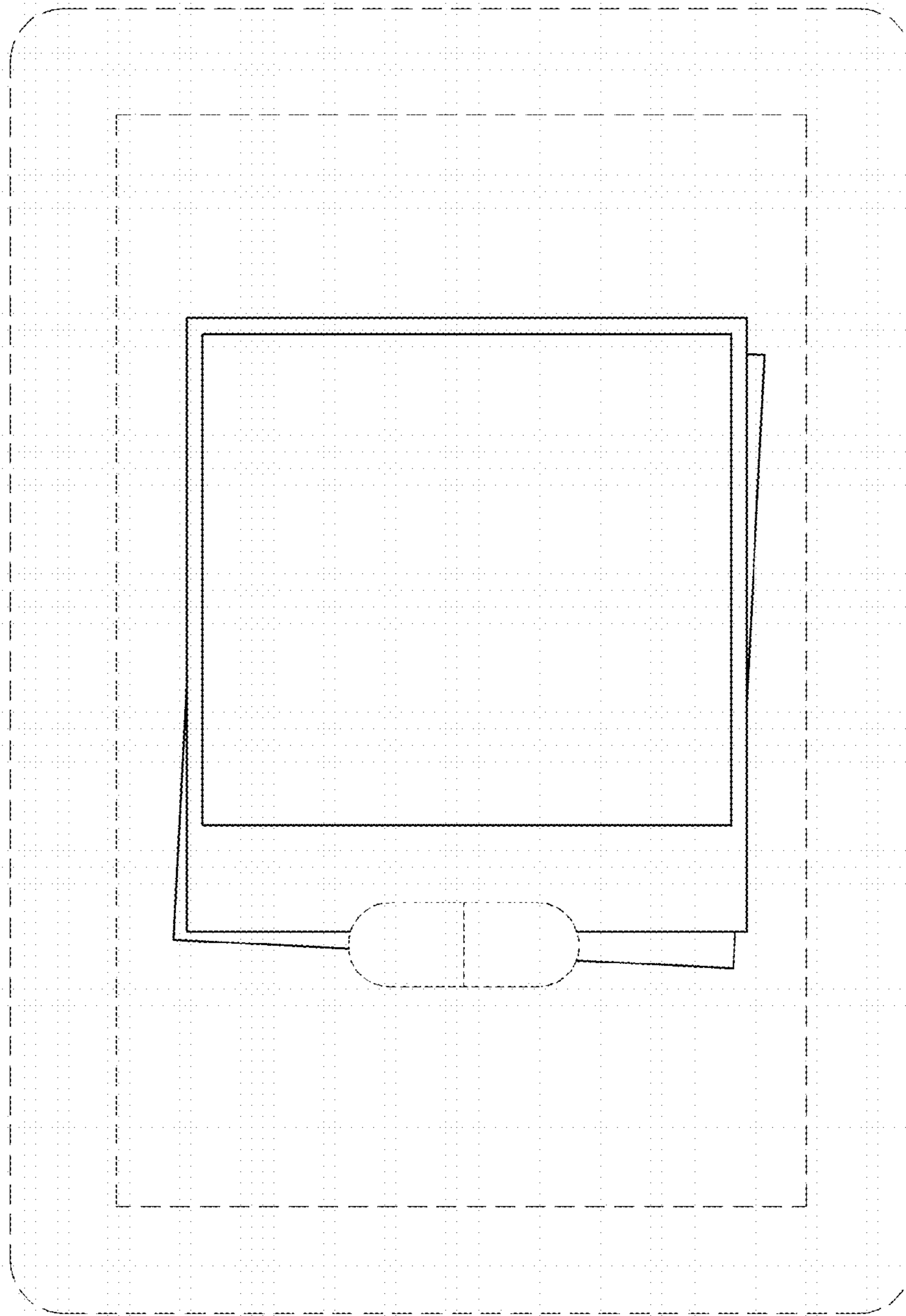


FIG. 6



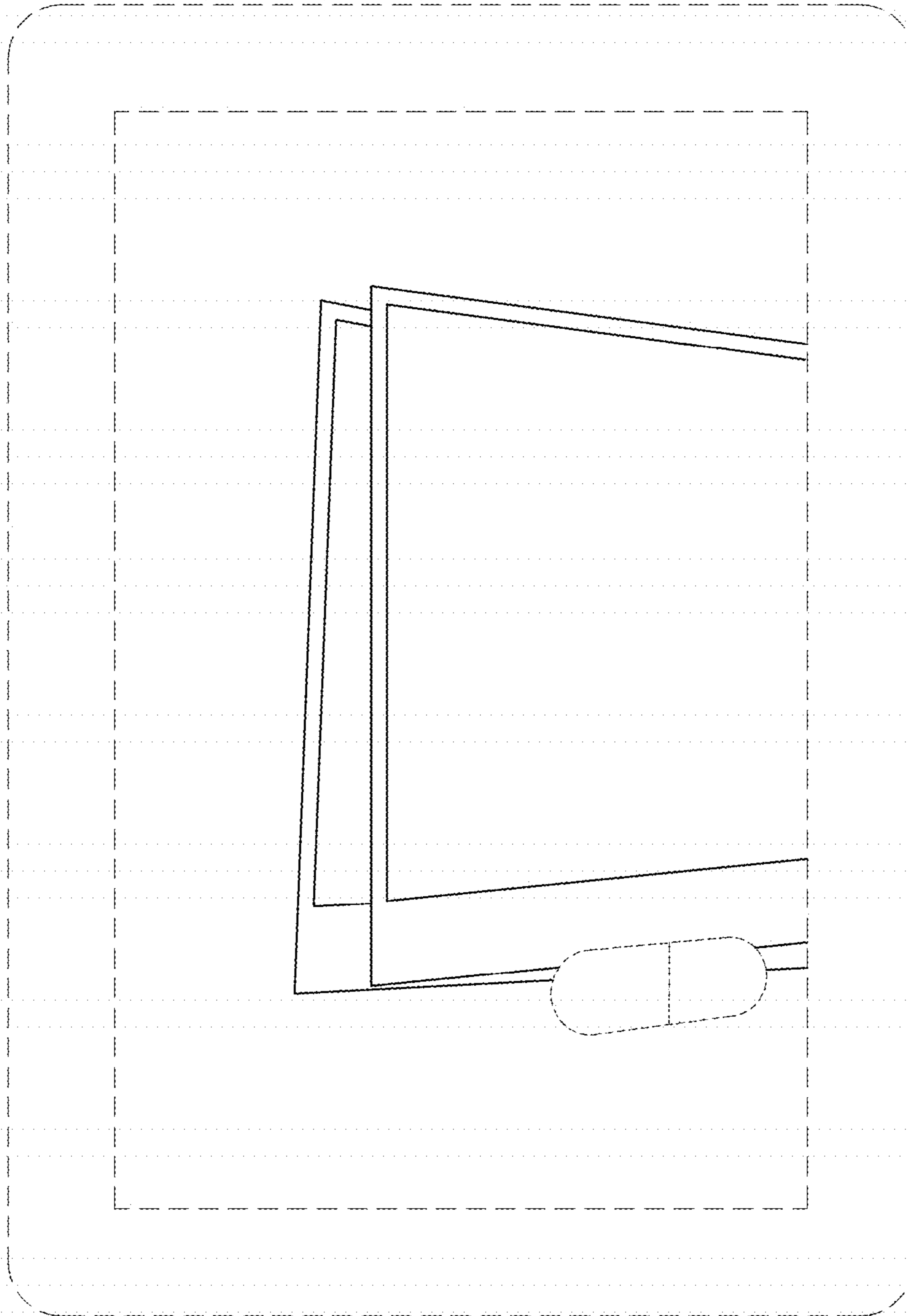


FIG. 7

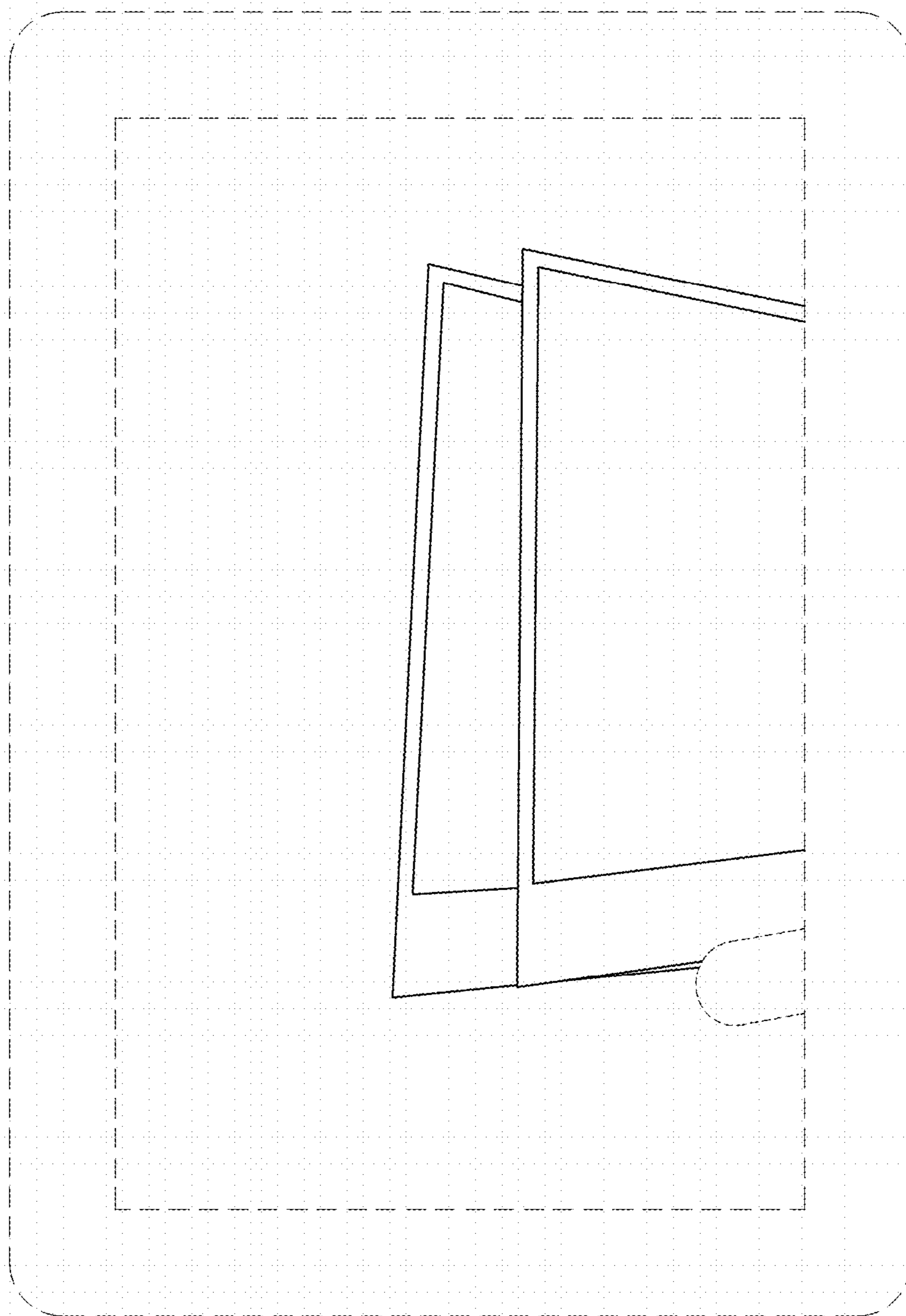


FIG. 8

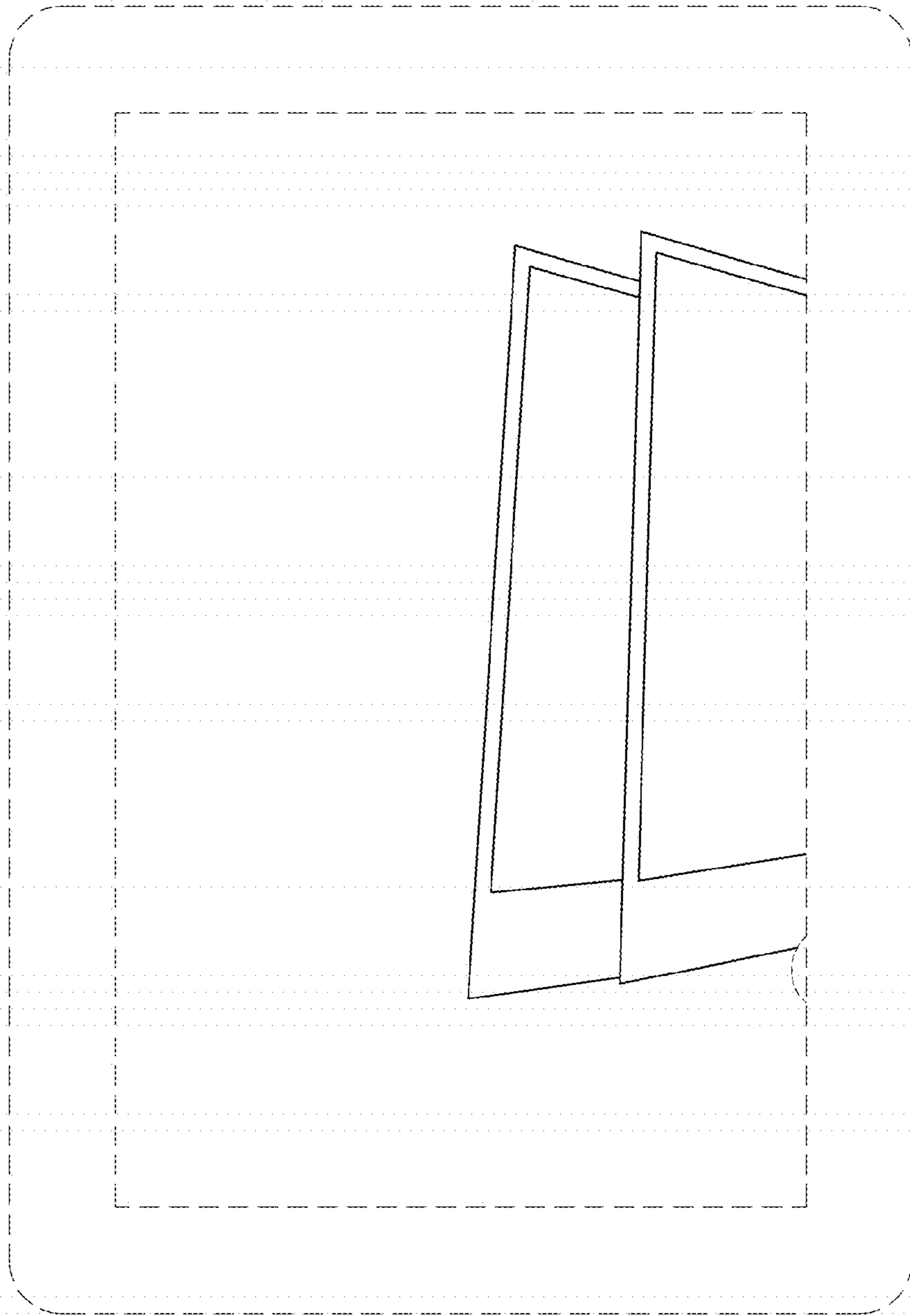


FIG. 9

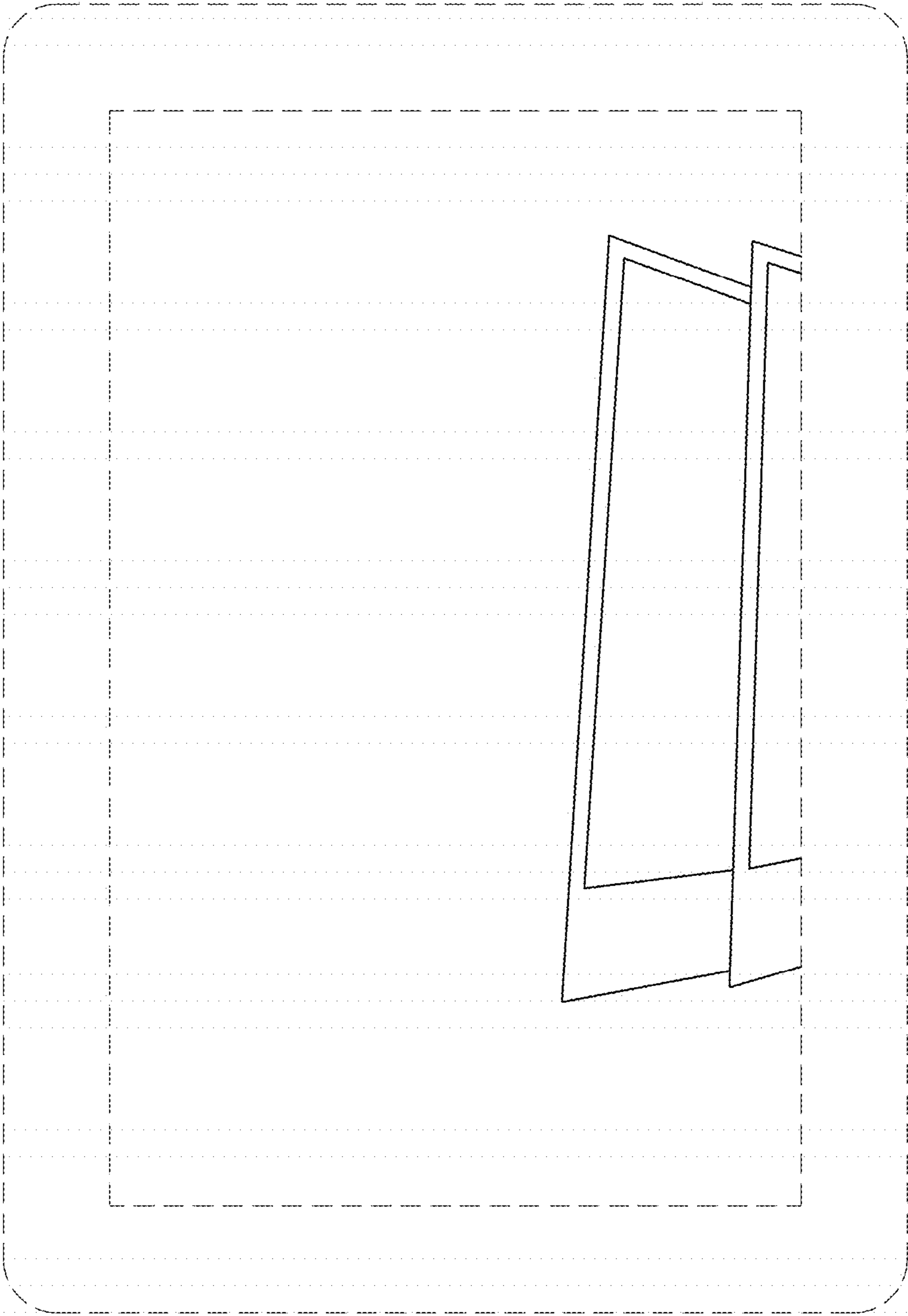


FIG. 10

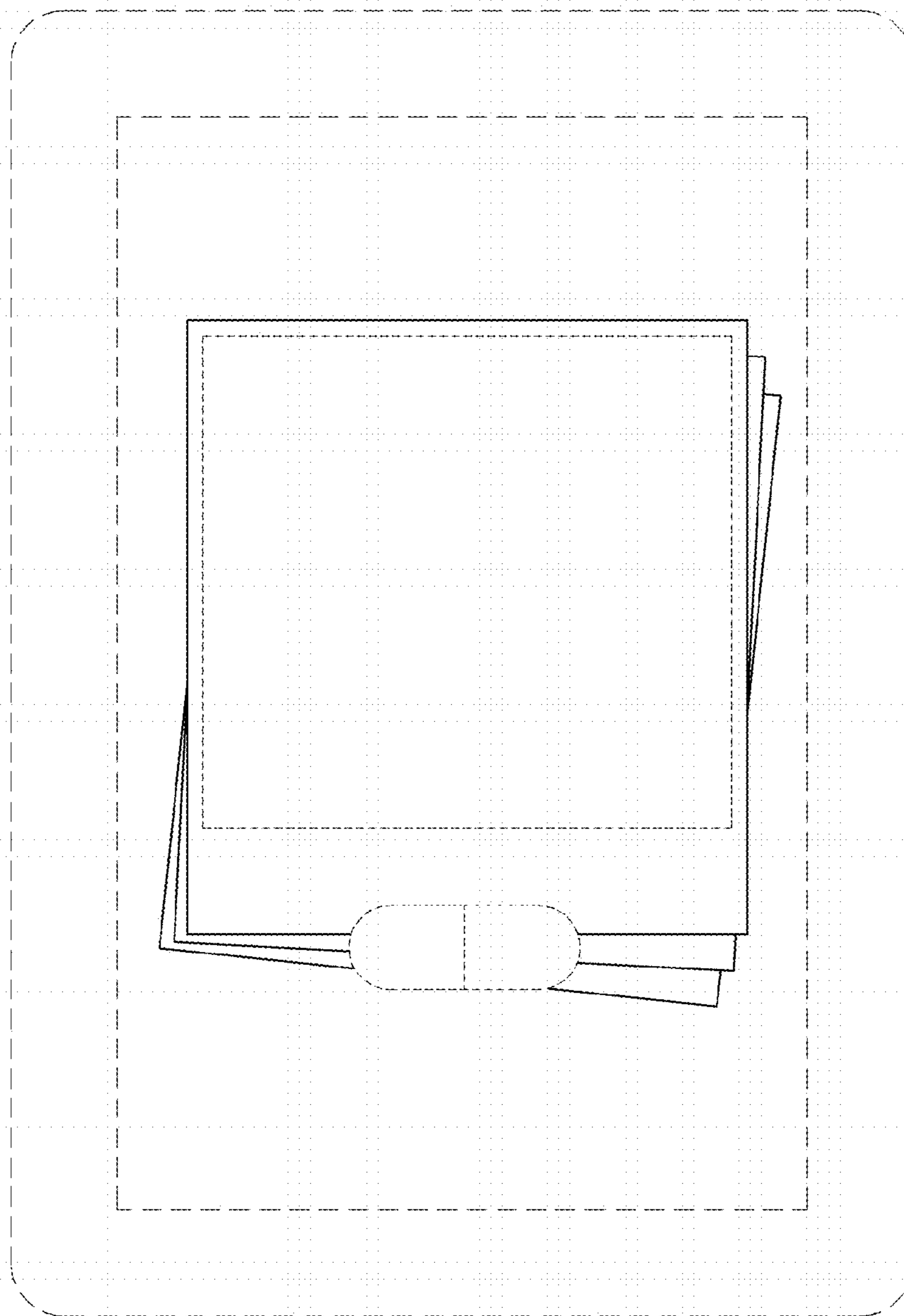


FIG. 11

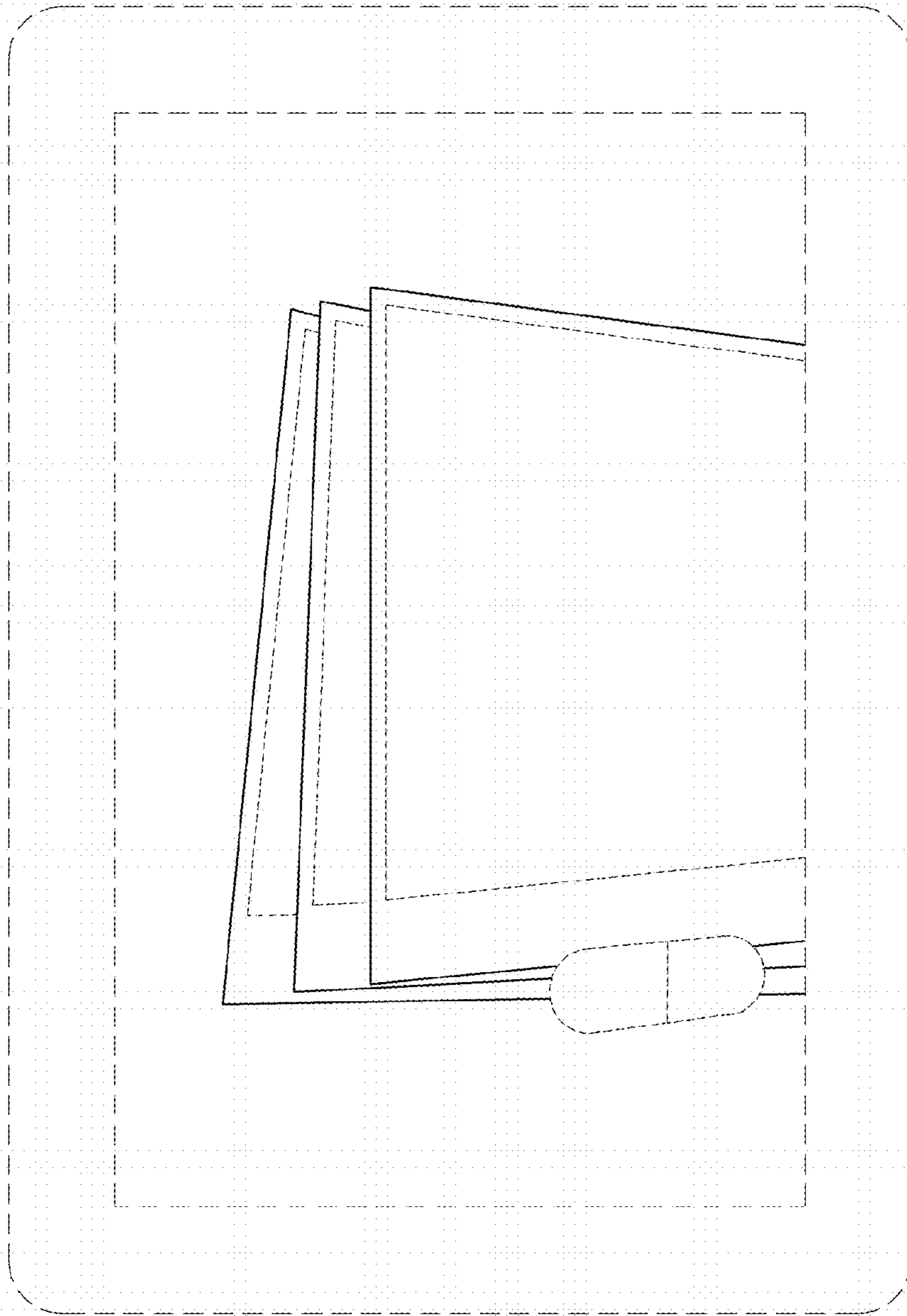


FIG. 12

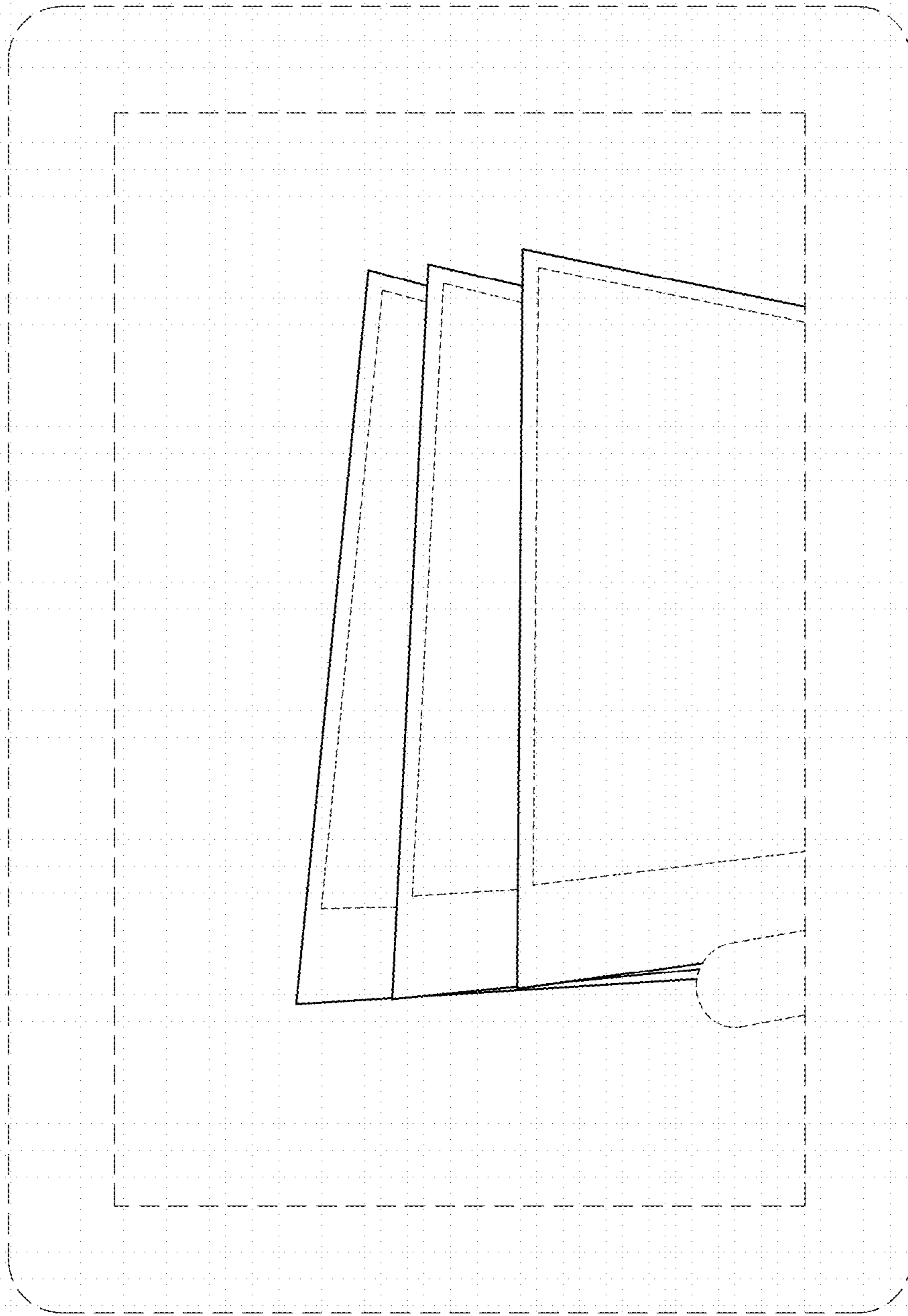


FIG. 13

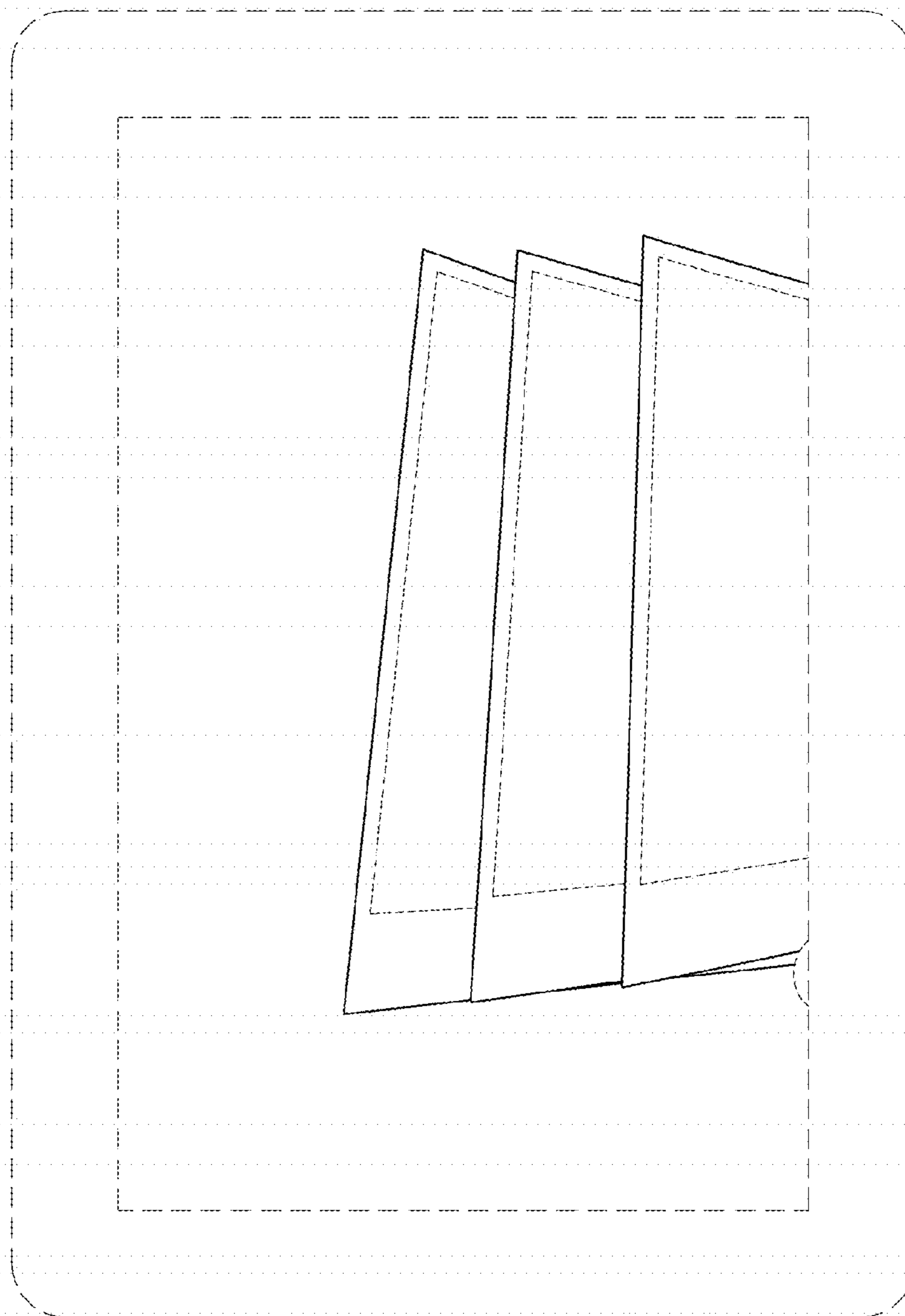


FIG. 14



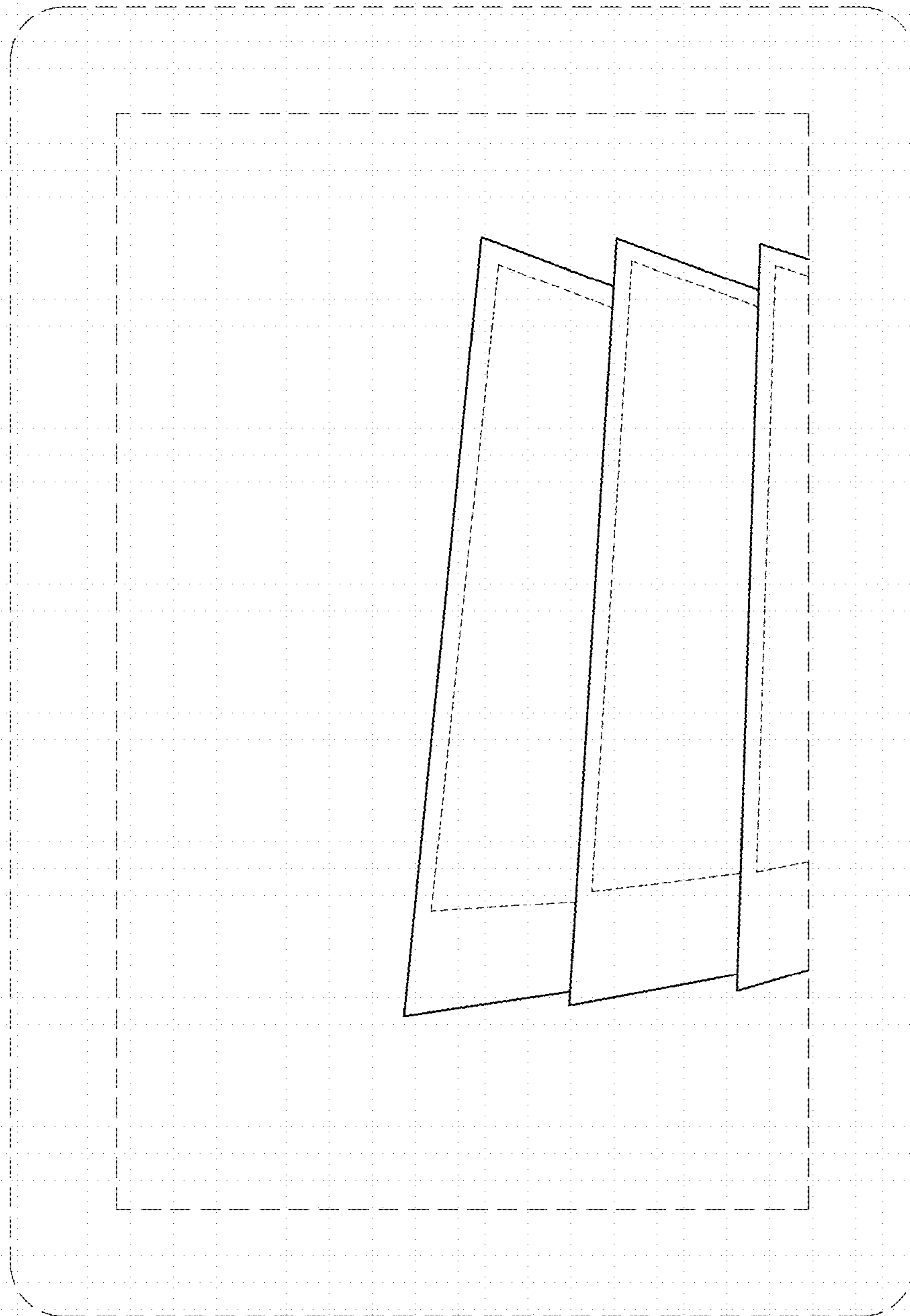


FIG. 15

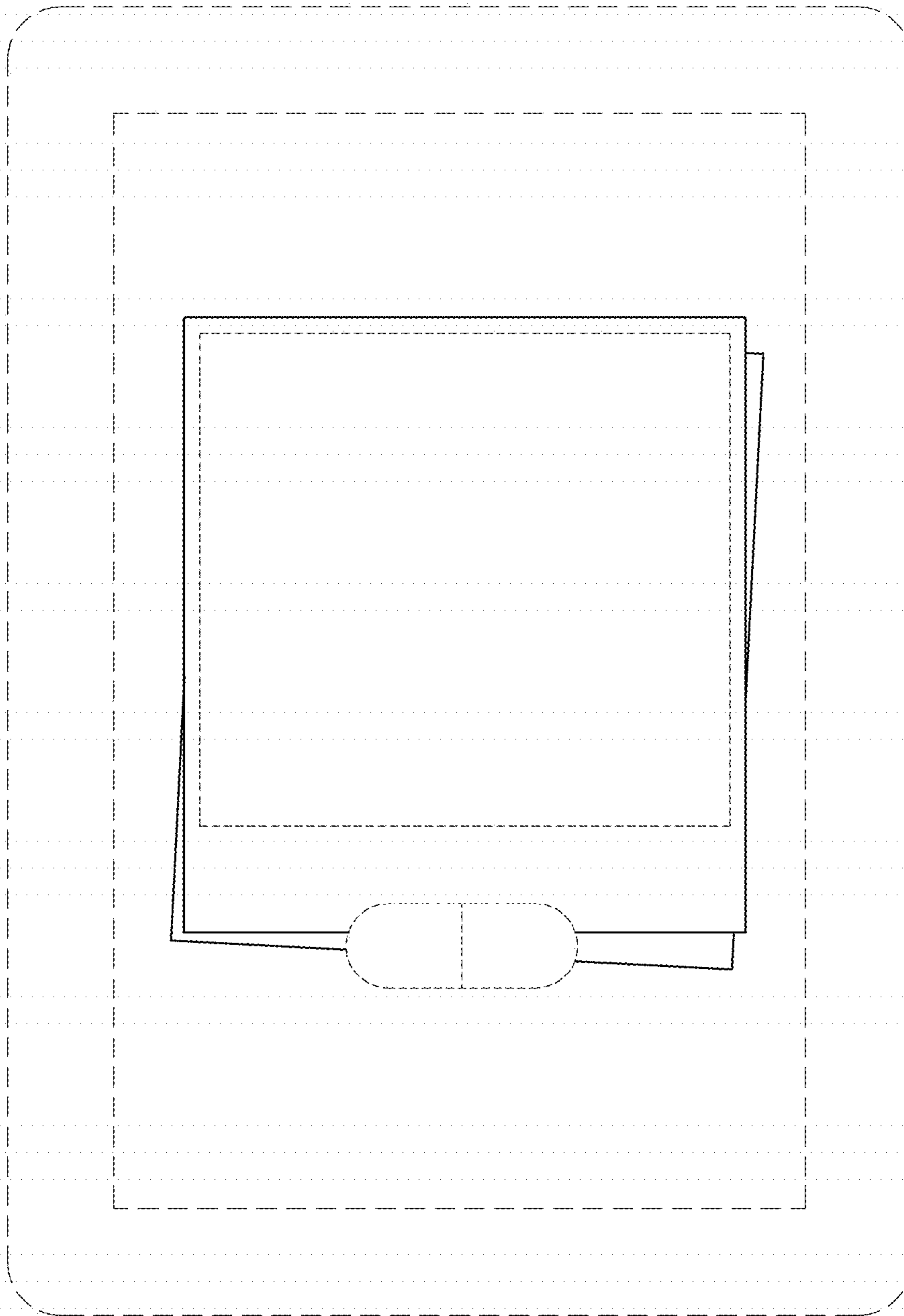


FIG. 16

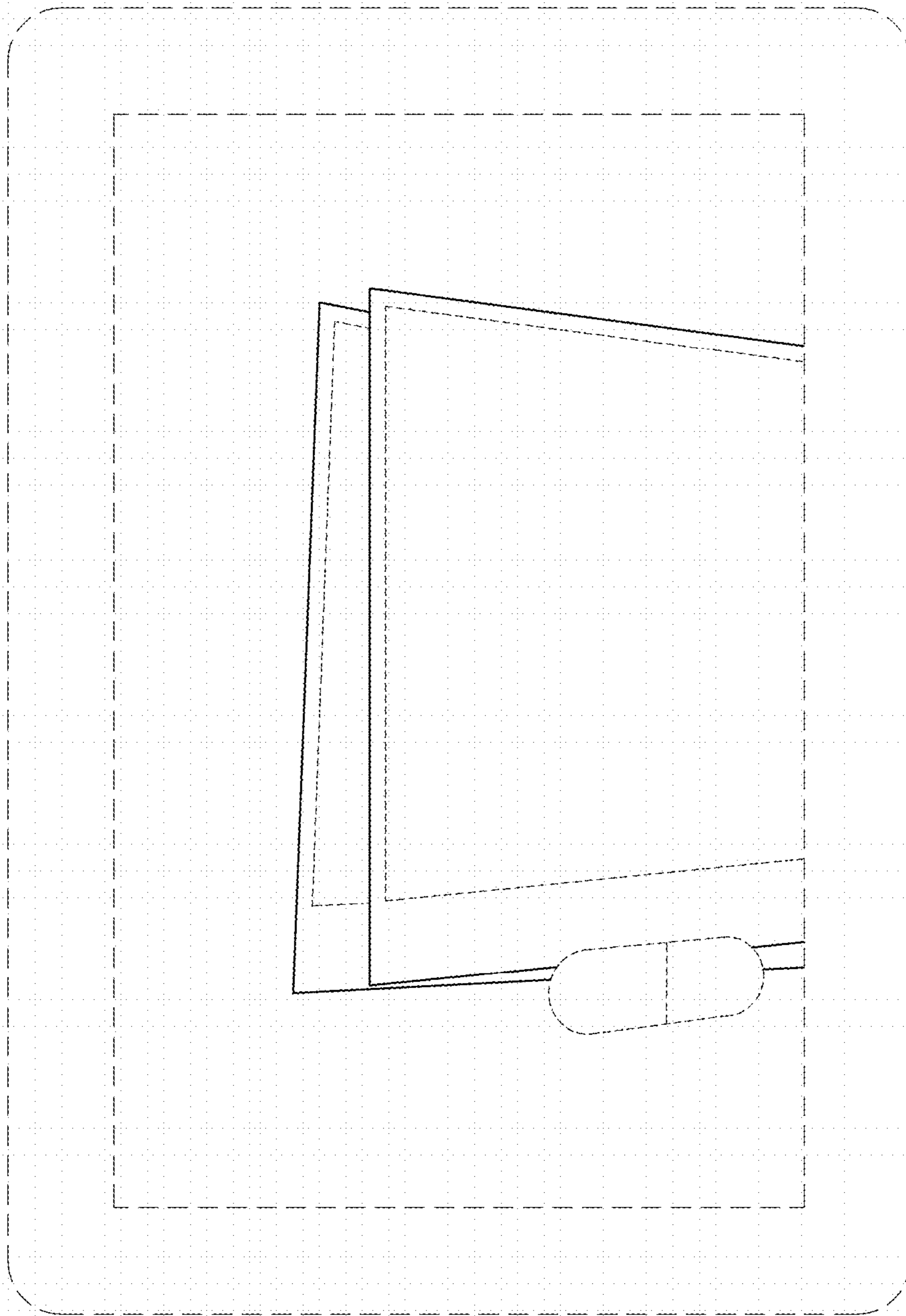


FIG. 17

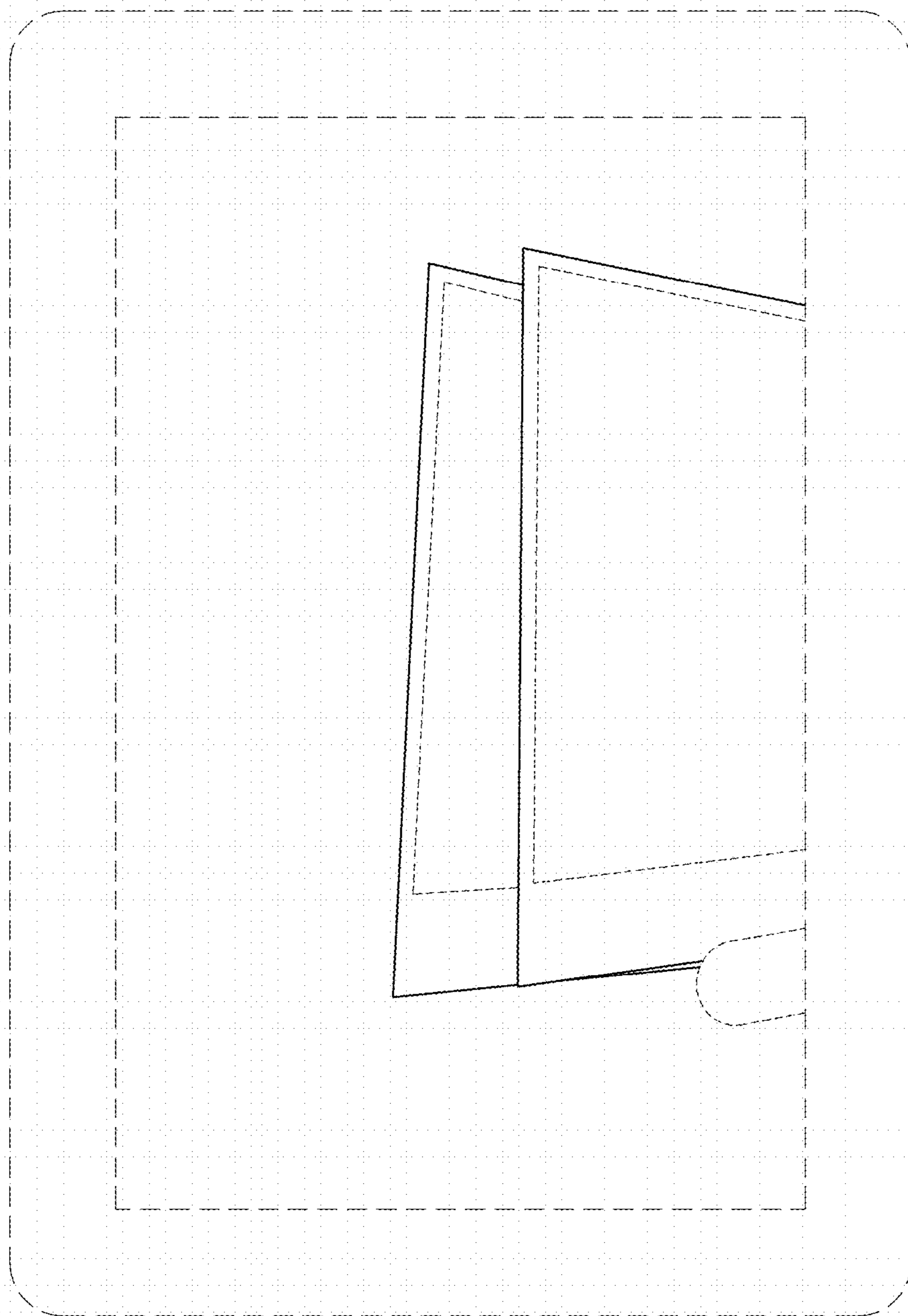


FIG. 18

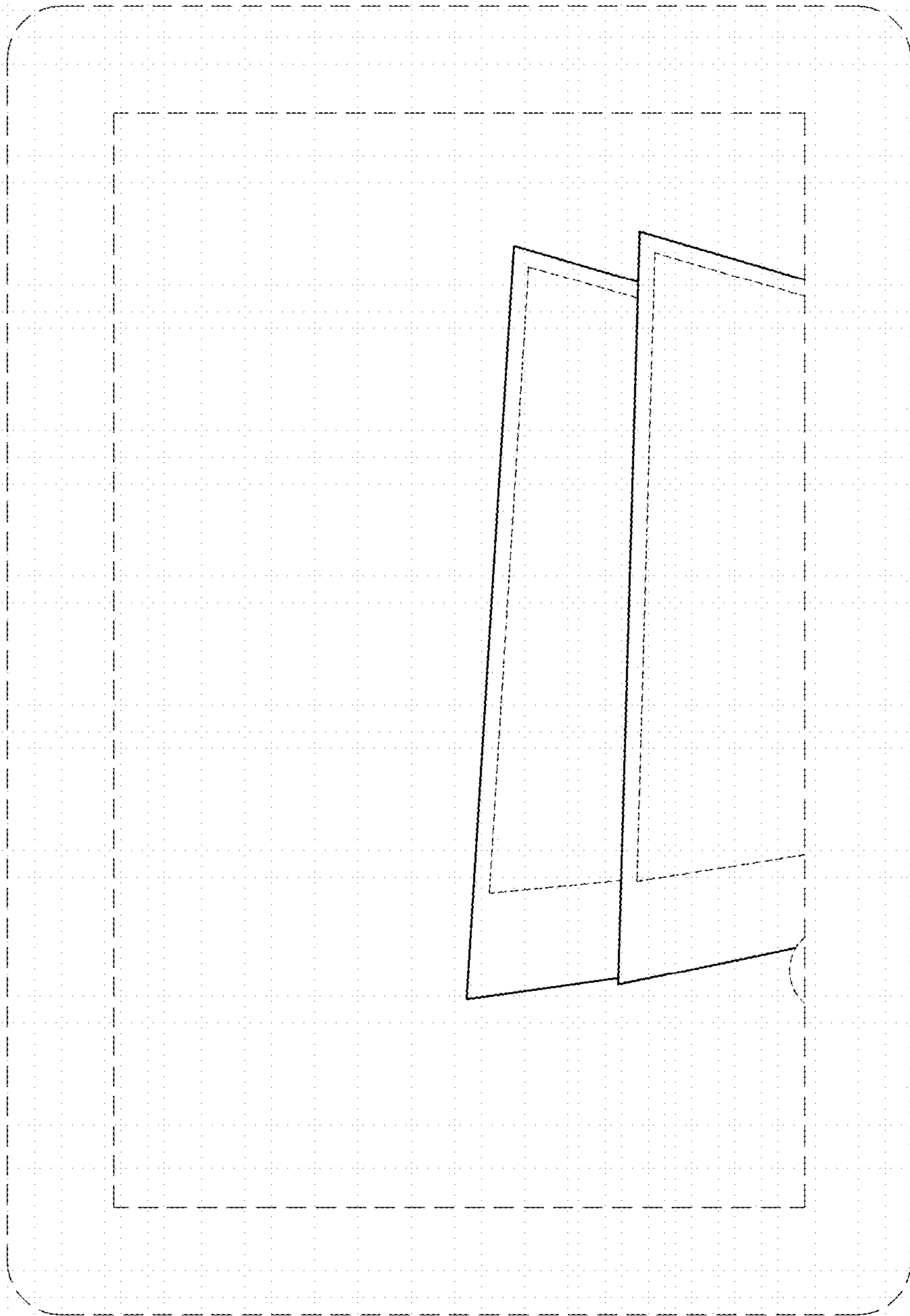


FIG. 19

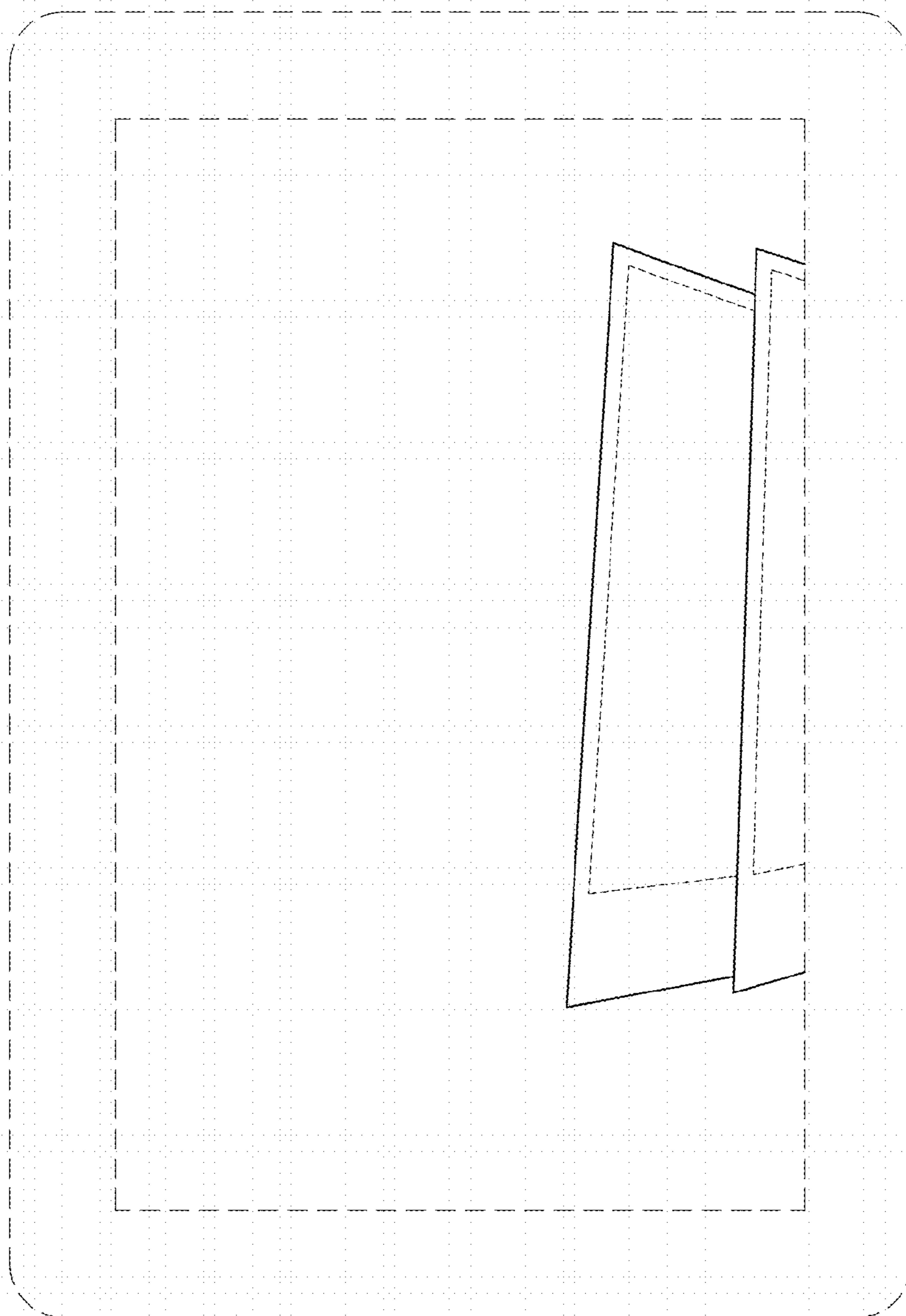


FIG. 20