



US00D726758S

(12) **United States Design Patent**  
**Bourret et al.**

(10) **Patent No.:** **US D726,758 S**  
(45) **Date of Patent:** **\*\* Apr. 14, 2015**

(54) **AIRCRAFT COCKPIT DISPLAY SCREEN WITH GRAPHICAL USER INTERFACE**

(71) Applicant: **Airbus Operations (SAS)**, Toulouse (FR)

(72) Inventors: **Thierry Bourret**, Toulouse (FR); **Pascale Louise**, Toulouse (FR); **Claire Ollagnon**, Montpellier (FR); **Nicolas Chauveau**, Montpellier (FR); **Sebastien Giuliano**, Toulouse (FR)

(73) Assignee: **Airbus Operations (S.A.S.)**, Toulouse (FR)

(\*\*) Term: **14 Years**

(21) Appl. No.: **29/449,551**

(22) Filed: **Mar. 15, 2013**

(51) **LOC (10) Cl.** ..... **14-04**

(52) **U.S. Cl.**  
USPC ..... **D14/486**

(58) **Field of Classification Search**  
USPC ..... D14/485, 486, 487, 488, 489, 490, 491, D14/492, 493; 715/810, 835, 836, 837, 839, 715/840, 846, 847; D20/11; 701/3, 9  
See application file for complete search history.

(56) **References Cited**

**U.S. PATENT DOCUMENTS**

812,174	A *	2/1906	Grundal	75/495
4,807,158	A *	2/1989	Blanton et al.	345/581
5,936,552	A	8/1999	Wichgers et al.	
6,072,473	A	6/2000	Muller et al.	
6,085,145	A	7/2000	Taka et al.	
6,832,138	B1	12/2004	Straub et al.	
6,910,657	B2 *	6/2005	Schneider	244/3.11
D517,435	S	3/2006	Yamada	
7,307,549	B2	12/2007	Firra	
D559,260	S	1/2008	Noviello	

D563,977	S *	3/2008	Carl et al.	D14/488
7,343,229	B1	3/2008	Wilson	
D579,458	S *	10/2008	Nash et al.	D14/486
D608,793	S *	1/2010	Canu-Chiesa	D14/492
D615,100	S *	5/2010	Canu-Chiesa	D14/492
7,751,948	B2 *	7/2010	Boorman et al.	701/3
7,765,061	B1	7/2010	Barber et al.	
7,830,275	B2 *	11/2010	Hiraoka	340/984
D634,332	S	3/2011	Spek	
D644,651	S	9/2011	Spek	
D644,652	S	9/2011	Spek	
D644,653	S	9/2011	Spek	
D646,689	S *	10/2011	Ulliot	D14/486
8,078,343	B2	12/2011	Ferreira et al.	
8,380,366	B1	2/2013	Schulte et al.	
8,829,401	B1 *	9/2014	Lutke et al.	244/3.19

(Continued)

**FOREIGN PATENT DOCUMENTS**

EP	0562929	9/1993
EP	2063227	5/2009
FR	2 694 104	1/1994

**OTHER PUBLICATIONS**

French Search Report for FR 1160884 dated Jul. 5, 2012.

(Continued)

*Primary Examiner* — Cynthia Underwood  
(74) *Attorney, Agent, or Firm* — Jenkins, Wilson, Taylor & Hunt, P.A.

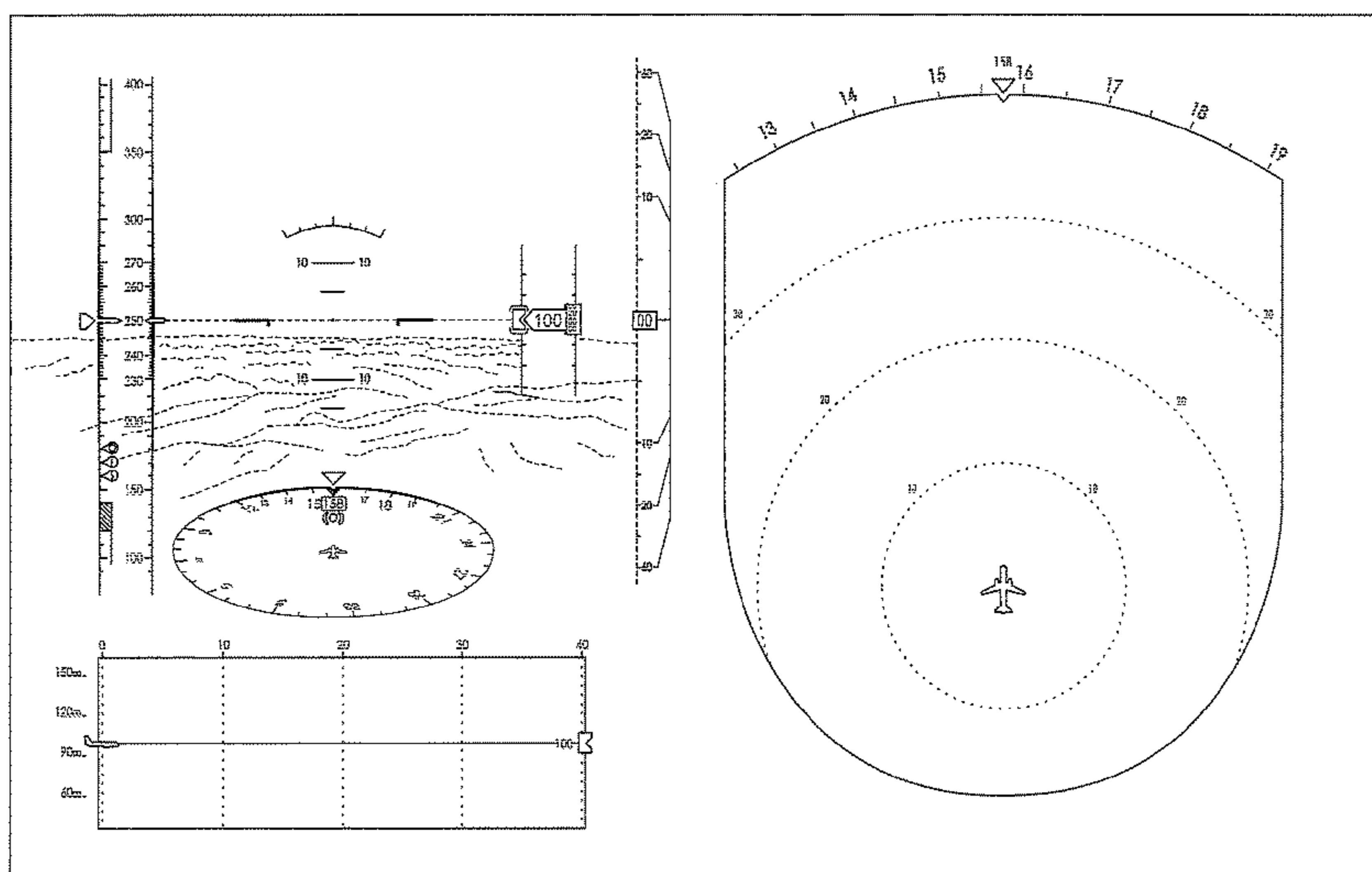
(57) **CLAIM**

The ornamental design for a aircraft cockpit display screen with graphical user interface, as shown and described.

**DESCRIPTION**

The FIGURE is a front view of an aircraft cockpit display screen with graphical user interface. The broken lines are for illustrative purposes only and form no part of the claimed design.

**1 Claim, 2 Drawing Sheets**



(56)

**References Cited**

U.S. PATENT DOCUMENTS

2003/0025719 A1\* 2/2003 Palmer et al. .... 345/700  
 2003/0112503 A1 6/2003 Lantin  
 2004/0006412 A1 1/2004 Doose et al.  
 2004/0056895 A1 3/2004 Hedrick  
 2004/0260458 A1 12/2004 Park et al.  
 2005/0156777 A1 7/2005 King et al.  
 2005/0222766 A1 10/2005 Burch et al.  
 2005/0261808 A1 11/2005 Artini et al.  
 2006/0132460 A1 6/2006 Kolmykov-Zotov et al.  
 2006/0164261 A1 7/2006 Stiffler  
 2007/0182590 A1 8/2007 Younkin  
 2007/0288129 A1 12/2007 Komer et al.  
 2008/0249675 A1 10/2008 Goodman et al.  
 2009/0118997 A1 5/2009 Truitt  
 2009/0281684 A1\* 11/2009 Spek ..... 701/7  
 2010/0010958 A1 1/2010 Perrow et al.  
 2010/0156674 A1 6/2010 Dwyer et al.  
 2010/0161157 A1 6/2010 Fabien et al.  
 2010/0194601 A1 8/2010 Servantie et al.  
 2010/0324807 A1 12/2010 Doose et al.  
 2011/0001636 A1 1/2011 Hedrick  
 2011/0029919 A1 2/2011 Woltkamp  
 2011/0184595 A1 7/2011 Albert  
 2011/0196599 A1 8/2011 Feyereisen et al.  
 2011/0199239 A1 8/2011 Lutz  
 2011/0208374 A1 8/2011 Jayathirtha et al.

2011/0213514 A1 9/2011 Baxter  
 2011/0246015 A1 10/2011 Cummings et al.  
 2011/0313645 A1 12/2011 Shukla  
 2012/0105318 A1 5/2012 Nutaro et al.  
 2013/0046462 A1 2/2013 Feyereisen et al.  
 2013/0090841 A1 4/2013 Barraci et al.  
 2013/0100042 A1 4/2013 Kincaid  
 2013/0135202 A1 5/2013 Louise-Babando  
 2013/0211635 A1 8/2013 Bourret  
 2013/0215023 A1 8/2013 Bourret  
 2013/0278444 A1 10/2013 Venkataswamy et al.  
 2014/0200748 A1 7/2014 Porez  
 2014/0277857 A1 9/2014 Bourret et al.

OTHER PUBLICATIONS

French Search Report for FR 1350247 dated Nov. 22, 2013.  
 Restriction Requirement for U.S. Appl. No. 13/835,506 dated Mar. 27, 2014.  
 Non-Final Office Action for U.S. Appl. No. 13/687,729 dated Jul. 18, 2014.  
 Non-Final Office Action for U.S. Appl. No. 13/835,506 dated Jun. 26, 2014.  
 Non-Final Office Action for U.S. Appl. No. 13/835,201 dated Jun. 27, 2014.  
 Non-Final Office Action for U.S. Appl. No. 13/834,401 dated Sep. 2, 2014.

\* cited by examiner

FIG. 1

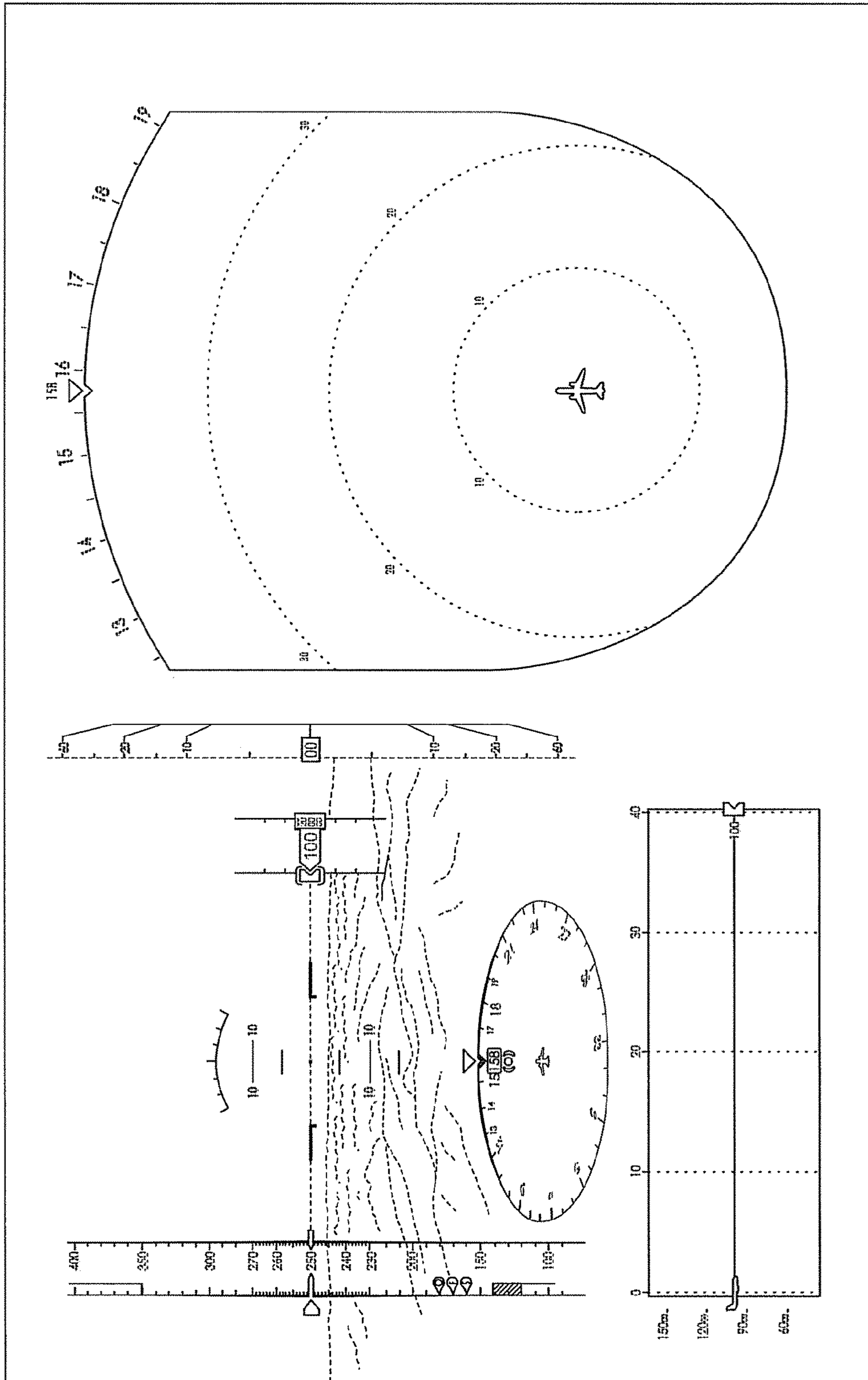


FIG. 2

