



US00D726748S

(12) **United States Design Patent**  
**Maekawa**

(10) **Patent No.:** **US D726,748 S**

(45) **Date of Patent:** **\*\* Apr. 14, 2015**

(54) **DISPLAY SCREEN WITH GRAPHICAL USER INTERFACE**

(71) Applicant: **Nikon Corporation**, Tokyo (JP)

(72) Inventor: **Akiya Maekawa**, Yokohama (JP)

(73) Assignee: **Nikon Corporation**, Tokyo (JP)

(\*\*) Term: **14 Years**

(21) Appl. No.: **29/434,302**

(22) Filed: **Oct. 11, 2012**

(30) **Foreign Application Priority Data**

Apr. 13, 2012 (JP) ..... 2012-008748

(51) **LOC (10) Cl.** ..... **14-04**

(52) **U.S. Cl.**  
USPC ..... **D14/486**

(58) **Field of Classification Search**  
USPC ..... D14/485-495; 715/700, 702, 716, 719,  
715/726, 733, 864  
See application file for complete search history.

(56) **References Cited**

**U.S. PATENT DOCUMENTS**

|              |      |         |                  |           |
|--------------|------|---------|------------------|-----------|
| 7,017,125    | B1 * | 3/2006  | Matsumoto        | 715/864   |
| D631,060     | S *  | 1/2011  | Flik et al.      | D14/486   |
| 8,756,507    | B2 * | 6/2014  | Fong et al.      | 715/727   |
| D715,809     | S *  | 10/2014 | Tsukamoto et al. | D14/485   |
| D715,810     | S *  | 10/2014 | Tsukamoto        | D14/485   |
| 2001/0041049 | A1 * | 11/2001 | Kanda            | 386/52    |
| 2003/0001959 | A1 * | 1/2003  | Tanaka et al.    | 348/231.3 |
| 2006/0010380 | A1 * | 1/2006  | Matsuzawa et al. | 715/700   |
| 2010/0125792 | A1 * | 5/2010  | Fujiwara et al.  | 715/716   |
| 2011/0060988 | A1 * | 3/2011  | Mysliwy et al.   | 715/702   |
| 2011/0085682 | A1 * | 4/2011  | Park             | 381/119   |
| 2013/0174094 | A1 * | 7/2013  | Heo et al.       | 715/835   |
| 2013/0246950 | A1 * | 9/2013  | Freestone et al. | 715/765   |

|              |      |         |                  |         |
|--------------|------|---------|------------------|---------|
| 2013/0254714 | A1 * | 9/2013  | Shin et al.      | 715/810 |
| 2013/0332856 | A1 * | 12/2013 | Sanders et al.   | 715/753 |
| 2014/0006965 | A1 * | 1/2014  | Xu               | 715/741 |
| 2014/0075311 | A1 * | 3/2014  | Boettcher et al. | 715/716 |
| 2014/0129987 | A1 * | 5/2014  | Feit et al.      | 715/835 |
| 2014/0282077 | A1 * | 9/2014  | Wilson et al.    | 715/751 |
| 2014/0289626 | A1 * | 9/2014  | Wu et al.        | 715/716 |
| 2014/0344757 | A1 * | 11/2014 | Shin             | 715/835 |

**OTHER PUBLICATIONS**

Instagram's Video Stabilization Will Make You Feel Like Martin Scorsese, [online], commented on Nov. 24, 2013, retrieved on Nov. 24, 2014. Retrieved from, <URL: <http://www.fastcodesign.com/1672897/instagrams-video-stabilization-will-make-you-feel-like-martin-scorsese>>, 1 page.\*

Transitioning from iOS 6 to Apple's overhauled iOS 7—Camera, [online], posted on Sep. 18, 2013, retrieved on Nov. 24, 2014. Retrieved from, <URL: <http://forums.appleinsider.com/t/159596/transitioning-from-ios-6-to-apples-overhauled-ios-7>>, 1 page.\*

\* cited by examiner

*Primary Examiner* — Susan Bennett Hattan

*Assistant Examiner* — Shannon Morgan

(74) *Attorney, Agent, or Firm* — Wolf, Greenfield & Sacks, P.C.; Randy J. Pritzker

(57) **CLAIM**

The ornamental design for a display screen with graphical user interface, as shown and described.

**DESCRIPTION**

FIG. 1 is a front view of a display screen with graphical user interface showing my new design; and, FIG. 2 is an enlarged front view thereof, shown separately from the device for clarity of illustration.

The broken lines in FIGS. 1 and 2 represent portions of the display screen with graphical user interface that form no part of the claimed design.

**1 Claim, 1 Drawing Sheet**

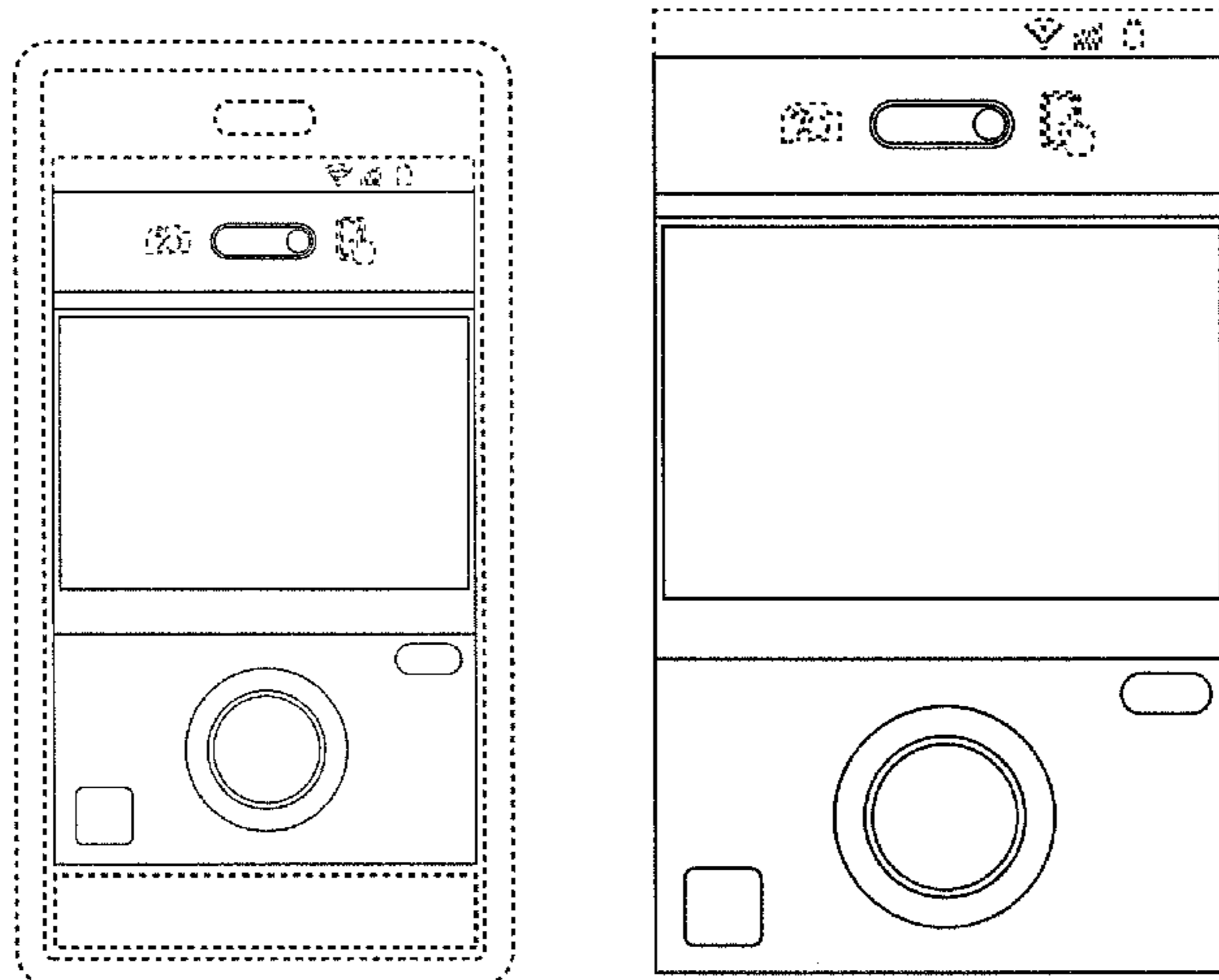


Fig. 1

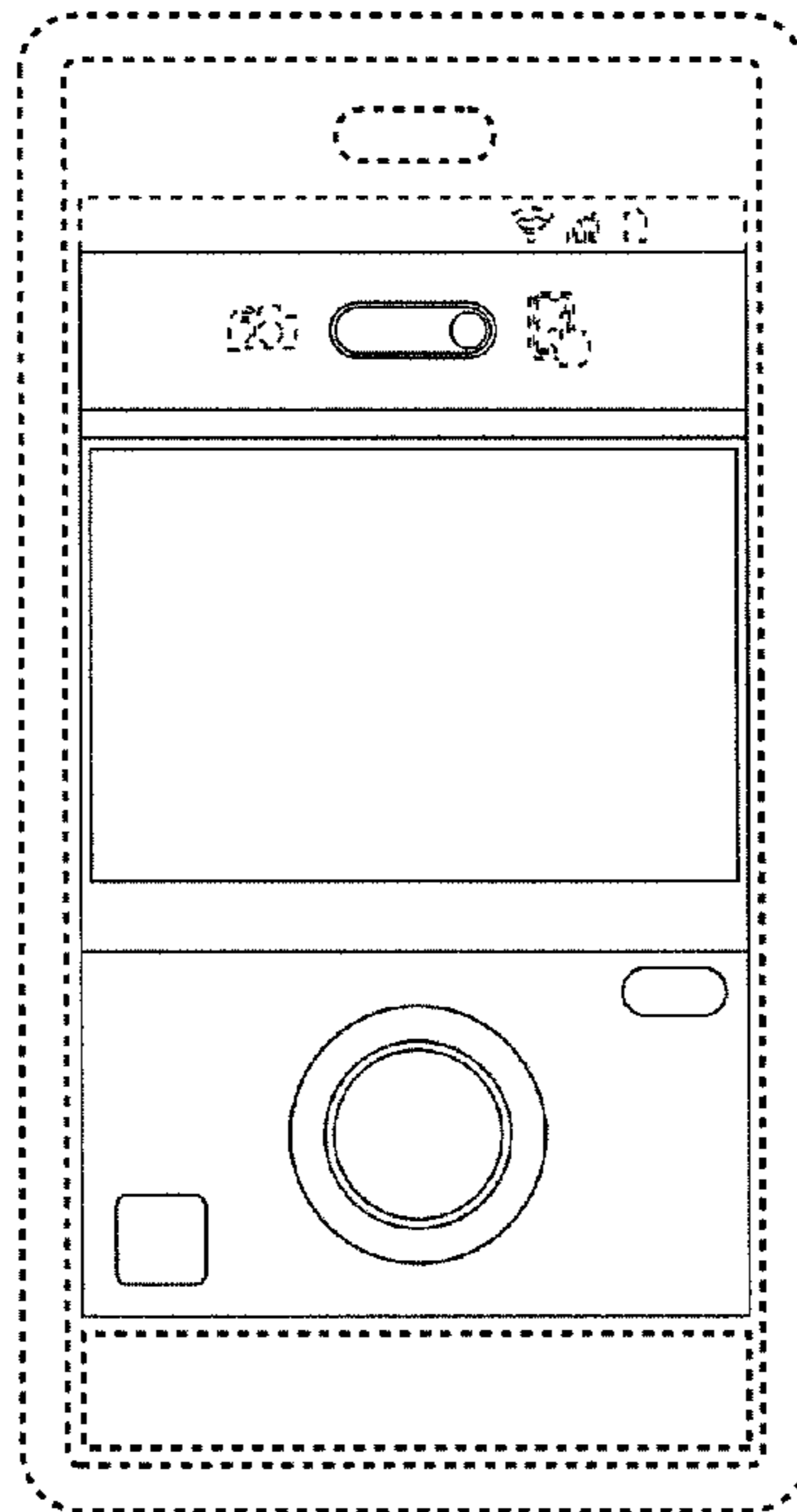


Fig. 2

