



US00D726741S

(12) **United States Design Patent**  
**Lee et al.**

(10) **Patent No.:** **US D726,741 S**  
(45) **Date of Patent:** **\*\* Apr. 14, 2015**

(54) **TELEVISION SCREEN WITH GRAPHICAL USER INTERFACE**

(71) Applicant: **LG Electronics Inc.**, Seoul (KR)

(72) Inventors: **Kunsik Lee**, Seoul (KR); **Hyungnam Lee**, Anyang-si (KR); **Uniyong Kim**, Seoul (KR)

(73) Assignee: **LG Electronics Inc.**, Seoul (KR)

(\*\*) Term: **14 Years**

(21) Appl. No.: **29/456,845**

(22) Filed: **Jun. 4, 2013**

(30) **Foreign Application Priority Data**

Dec. 5, 2012 (KR) ..... 30-2012-0058528

(51) **LOC (10) Cl.** ..... **14-04**

(52) **U.S. Cl.**  
USPC ..... **D14/485**

(58) **Field of Classification Search**  
CPC ..... G06F 3/048; G06F 3/0481; G06F 3/0482;  
G06F 3/04817; G06F 3/04886  
USPC ..... D14/485-495  
See application file for complete search history.

(56) **References Cited**

**U.S. PATENT DOCUMENTS**

4,364,672	A *	12/1982	Shibuya et al.	.....	368/240
D294,043	S *	2/1988	Haines	.....	D21/362
5,701,424	A *	12/1997	Atkinson	.....	715/808
D396,455	S *	7/1998	Bier	.....	D14/489
D416,550	S *	11/1999	Richter	.....	D14/489
D452,692	S *	1/2002	Fukuda	.....	D14/489
D461,822	S *	8/2002	Okuley	.....	D14/489
6,448,987	B1 *	9/2002	Easty et al.	.....	715/834
D473,151	S *	4/2003	Shaland et al.	.....	D10/103
6,549,219	B2 *	4/2003	Selker	.....	715/834

D474,197	S *	5/2003	Nguyen	.....	D14/486
D480,092	S *	9/2003	Kreikemeier et al.	.....	D14/486
D493,177	S *	7/2004	Retuta et al.	.....	D14/486
D493,471	S *	7/2004	McIntosh	.....	D14/485
D500,766	S *	1/2005	Hanisch et al.	.....	D14/489
D505,135	S *	5/2005	Sapp et al.	.....	D14/489
D507,002	S *	7/2005	Retuta et al.	.....	D14/486
D511,524	S *	11/2005	Retuta et al.	.....	D14/486
D523,441	S *	6/2006	Sapp et al.	.....	D14/486
D534,541	S *	1/2007	Retuta et al.	.....	D14/486
D534,915	S *	1/2007	Retuta et al.	.....	D14/486
D544,495	S *	6/2007	Evans et al.	.....	D14/488
D544,496	S *	6/2007	Evans et al.	.....	D14/489
D545,713	S *	7/2007	Waldman	.....	D10/125
D550,696	S *	9/2007	Kortum et al.	.....	D14/491
D554,659	S *	11/2007	Hoover et al.	.....	D14/487
D554,660	S *	11/2007	Hoover et al.	.....	D14/487
D554,661	S *	11/2007	Hoover et al.	.....	D14/487
D561,193	S *	2/2008	O'Mullan et al.	.....	D14/489
D574,395	S *	8/2008	Loretan et al.	.....	D14/487
D590,838	S *	4/2009	Bisig et al.	.....	D14/492
D591,305	S *	4/2009	Shimoda	.....	D14/485
D593,107	S *	5/2009	Shimoda et al.	.....	D14/485
D602,033	S *	10/2009	Vu et al.	.....	D14/485
D606,091	S *	12/2009	O'Donnell et al.	.....	D14/489
D607,007	S *	12/2009	Kocmick	.....	D14/489

(Continued)

*Primary Examiner* — Kevin Rudzinski

(74) *Attorney, Agent, or Firm* — Birch, Stewart, Kolasch & Birch, LLP

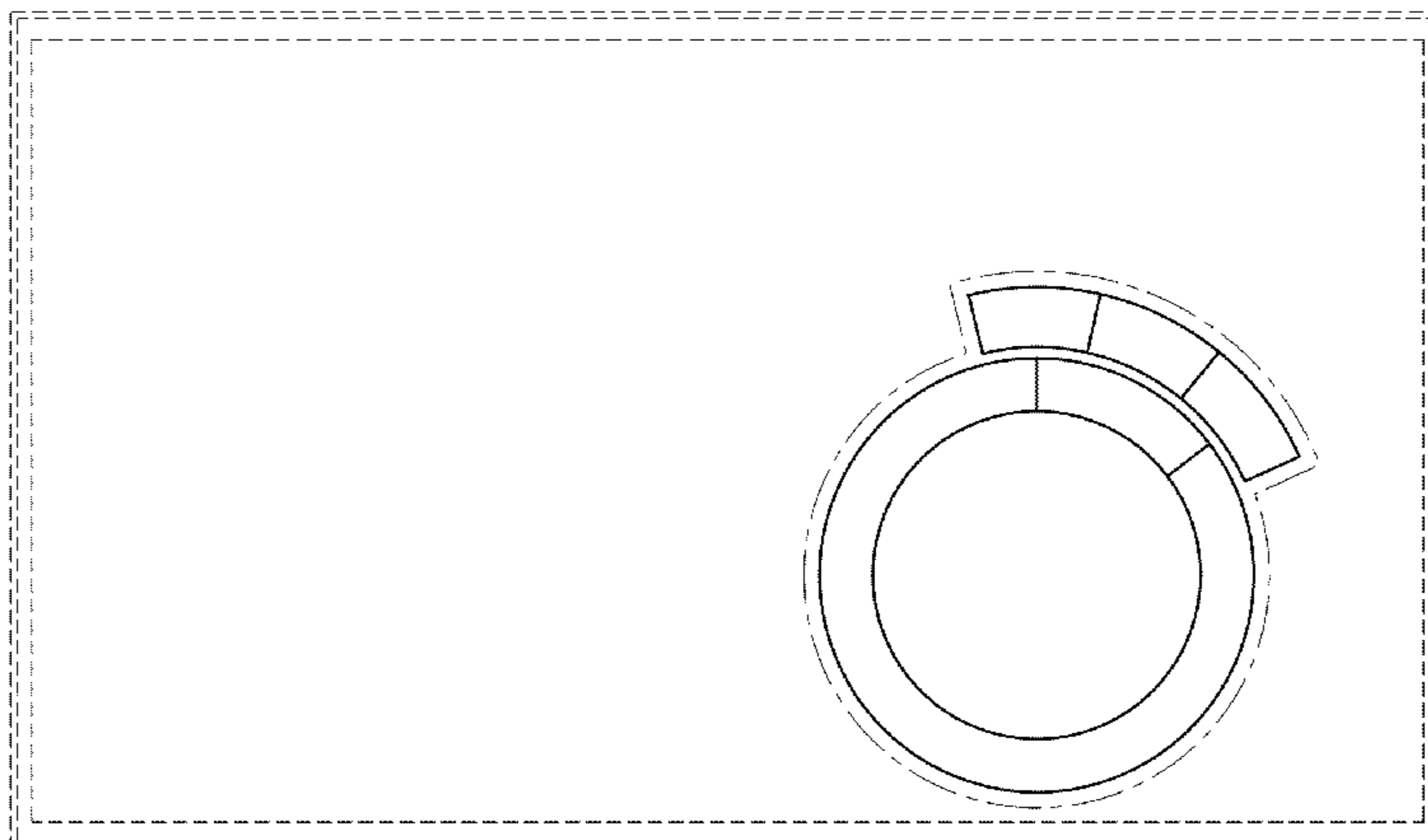
(57) **CLAIM**

The ornamental design for a television screen with graphical user interface, as shown and described.

**DESCRIPTION**

The FIGURE is a front view of a television screen with graphical user interface showing our new design. The dashed broken lines illustrating a television and television screen form no part of the claimed design. The dash-dot broken lines define the bounds of the claimed design and form no part thereof.

**1 Claim, 1 Drawing Sheet**



(56)

References Cited

U.S. PATENT DOCUMENTS

D607,009 S *	12/2009	McEnaney	.....	D14/489	D687,851 S *	8/2013	Sloo et al.	.....	D14/487
D611,952 S *	3/2010	Berg et al.	.....	D14/489	D690,720 S *	10/2013	Waldman	.....	D14/485
D614,192 S *	4/2010	Takano et al.	.....	D14/486	D690,728 S *	10/2013	Brinda	.....	D14/488
D619,614 S *	7/2010	O'Mullan et al.	.....	D14/489	D691,637 S *	10/2013	Deurwaarder	.....	D14/511
D623,658 S *	9/2010	Fitzmaurice et al.	.....	D14/489	D694,257 S *	11/2013	McKinley et al.	.....	D14/486
D624,926 S *	10/2010	Allen et al.	.....	D14/485	D695,757 S *	12/2013	Ray et al.	.....	D14/486
D624,933 S *	10/2010	Fitzmaurice et al.	.....	D14/489	D697,071 S *	1/2014	Brinda	.....	D14/485
D625,319 S *	10/2010	Allen et al.	.....	D14/485	D697,076 S *	1/2014	Oda et al.	.....	D14/486
D625,327 S *	10/2010	Fitzmaurice et al.	.....	D14/489	D698,820 S *	2/2014	Myung et al.	.....	D14/491
D625,328 S *	10/2010	Fitzmaurice et al.	.....	D14/489	D699,248 S *	2/2014	Pearson et al.	.....	D14/485
D627,360 S *	11/2010	Aarseth	.....	D14/485	D699,730 S *	2/2014	Brinda et al.	.....	D14/485
D630,643 S *	1/2011	Wilson	.....	D14/486	D699,737 S *	2/2014	Pearson et al.	.....	D14/486
D630,644 S *	1/2011	Wilson	.....	D14/486	D699,745 S *	2/2014	Pearson et al.	.....	D14/488
D630,646 S *	1/2011	Wilson	.....	D14/487	D699,746 S *	2/2014	Pearson et al.	.....	D14/488
D630,647 S *	1/2011	Wilson	.....	D14/487	D699,747 S *	2/2014	Pearson et al.	.....	D14/488
D635,987 S *	4/2011	Mays et al.	.....	D14/487	D699,748 S *	2/2014	Pearson et al.	.....	D14/488
D635,988 S *	4/2011	Mays et al.	.....	D14/487	D699,749 S *	2/2014	Pearson et al.	.....	D14/488
D644,242 S *	8/2011	Matas	.....	D14/489	D699,750 S *	2/2014	Pearson et al.	.....	D14/488
D644,243 S *	8/2011	Matas	.....	D14/489	D700,207 S *	2/2014	Pearson et al.	.....	D14/488
7,992,102 B1 *	8/2011	De Angelo	.....	715/834	D701,226 S *	3/2014	Jung	.....	D14/486
D645,470 S *	9/2011	Matas	.....	D14/489	D702,251 S *	4/2014	Kotler et al.	.....	D14/487
8,151,209 B2 *	4/2012	Law et al.	.....	715/773	D702,253 S *	4/2014	Kotler et al.	.....	D14/487
D664,983 S *	8/2012	Moreau et al.	.....	D14/488	D702,707 S *	4/2014	Kotler et al.	.....	D14/487
D665,163 S *	8/2012	Leifeld et al.	.....	D3/203.2	D703,693 S *	4/2014	Brinda et al.	.....	D14/488
D665,412 S *	8/2012	Rai et al.	.....	D14/488	D704,213 S *	5/2014	Agnew	.....	D14/487
D667,429 S *	9/2012	Wujcik et al.	.....	D14/489	D706,283 S *	6/2014	Pedraza Padilla et al.	...	D14/486
D668,673 S *	10/2012	Molino et al.	.....	D14/489	D708,203 S *	7/2014	Johnson	.....	D14/487
D669,497 S *	10/2012	Lee et al.	.....	D14/489	D708,221 S *	7/2014	Danton et al.	.....	D14/492
D672,784 S *	12/2012	Clanton et al.	.....	D14/485	D710,367 S *	8/2014	Quattrocchi	.....	D14/485
D676,060 S *	2/2013	Frost et al.	.....	D14/490	D711,904 S *	8/2014	Sundy et al.	.....	D14/486
8,375,329 B2 *	2/2013	Drayton et al.	.....	715/834	D711,905 S *	8/2014	Morrison et al.	.....	D14/486
D683,757 S *	6/2013	Phelan	.....	D14/489	D712,911 S *	9/2014	Pearson et al.	.....	D14/486
D684,585 S *	6/2013	Plesnicher et al.	.....	D14/486	2005/0010955 A1 *	1/2005	Elia et al.	.....	725/88
D684,586 S *	6/2013	Plesnicher et al.	.....	D14/486	2007/0256029 A1 *	11/2007	Maxwell	.....	715/834
D684,587 S *	6/2013	Plesnicher et al.	.....	D14/486	2007/0271528 A1 *	11/2007	Park et al.	.....	715/810
D687,460 S *	8/2013	Tyler et al.	.....	D14/489	2008/0126992 A1 *	5/2008	Scheu et al.	.....	715/835
					2009/0019397 A1 *	1/2009	Buffet et al.	.....	715/837
					2011/0249005 A1 *	10/2011	Hautvast	.....	345/440

\* cited by examiner

