



US00D726734S

(12) **United States Design Patent**  
**Whorton et al.**

(10) **Patent No.:** **US D726,734 S**  
(45) **Date of Patent:** **\*\* Apr. 14, 2015**

(54) **KEYBOARD AND PLANAR DISPLAY SUPPORT**

(71) Applicant: **Connected Fleet Systems Incorporated**, Cotati, CA (US)

(72) Inventors: **Kurt Whorton**, Rohnert Park, CA (US);  
**Richard Clark**, Cotati, CA (US)

(73) Assignee: **Connected Fleet Systems, Inc.**, Santa Rosa, CA (US)

(\*\*) Term: **14 Years**

(21) Appl. No.: **29/460,677**

(22) Filed: **Jul. 12, 2013**

(51) **LOC (10) Cl.** ..... **14-02**

(52) **U.S. Cl.**  
USPC ..... **D14/457**

(58) **Field of Classification Search**  
CPC ..... F16M 11/12  
USPC ..... D14/217, 239, 251, 253, 447, 457, 434;  
248/176.1, 176.3, 278.1, 281.11,  
248/316.1, 284.1; 361/679.05, 679.41;  
710/303

See application file for complete search history.

(56) **References Cited**

U.S. PATENT DOCUMENTS

D592,188	S *	5/2009	Huang	.....	D14/217
D614,613	S *	4/2010	Kim et al.	.....	D14/253
7,789,363	B2 *	9/2010	Duan	.....	248/284.1
D650,774	S *	12/2011	Molter	.....	D14/239
8,149,572	B2 *	4/2012	Shen	.....	361/679.01
8,240,628	B2 *	8/2012	Huang	.....	248/316.1
D669,481	S *	10/2012	Prescott et al.	.....	D14/447
2010/0165228	A1 *	7/2010	Shen	.....	349/58

\* cited by examiner

Primary Examiner — Freda S Nunn

(74) *Attorney, Agent, or Firm* — Edward S. Sherman

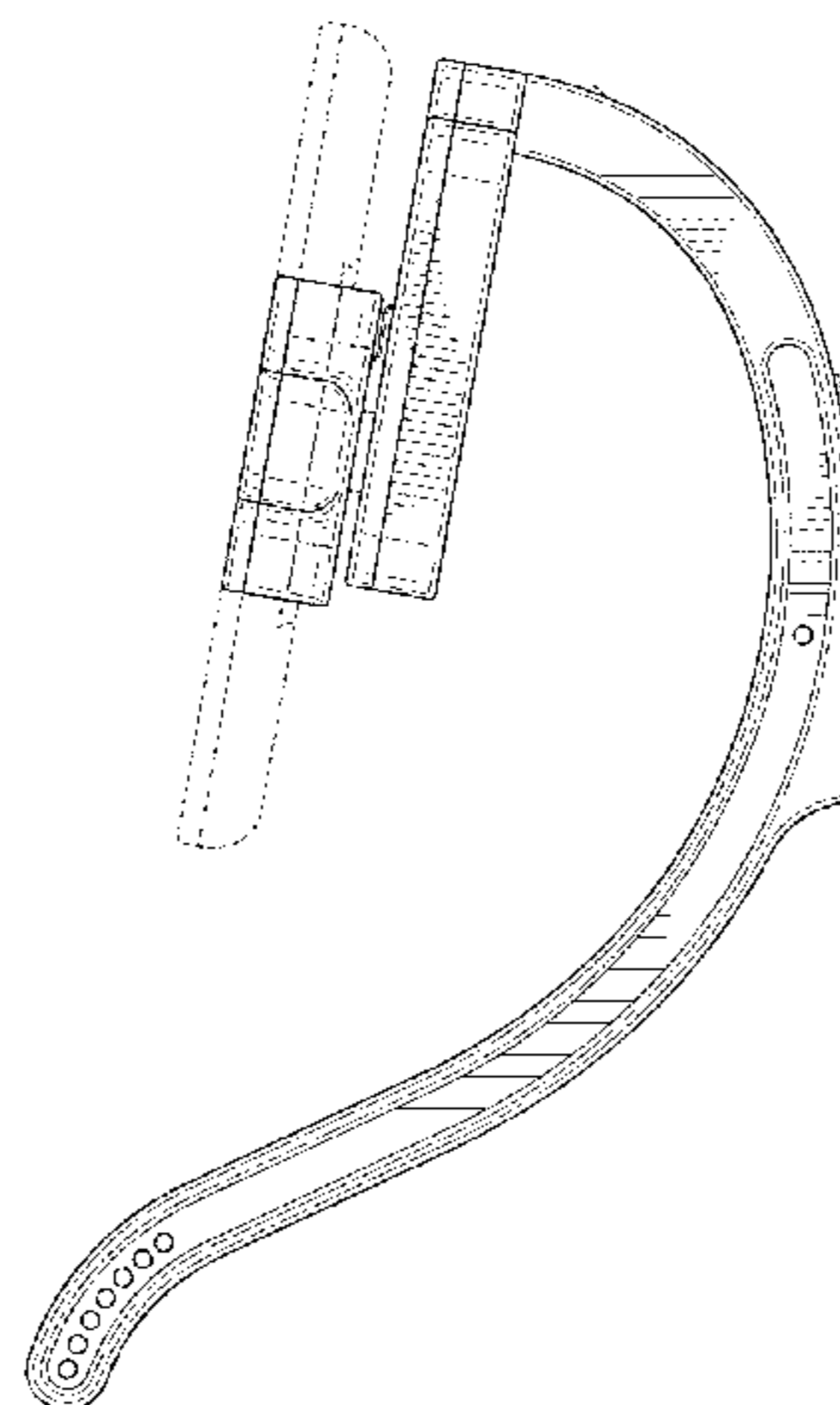
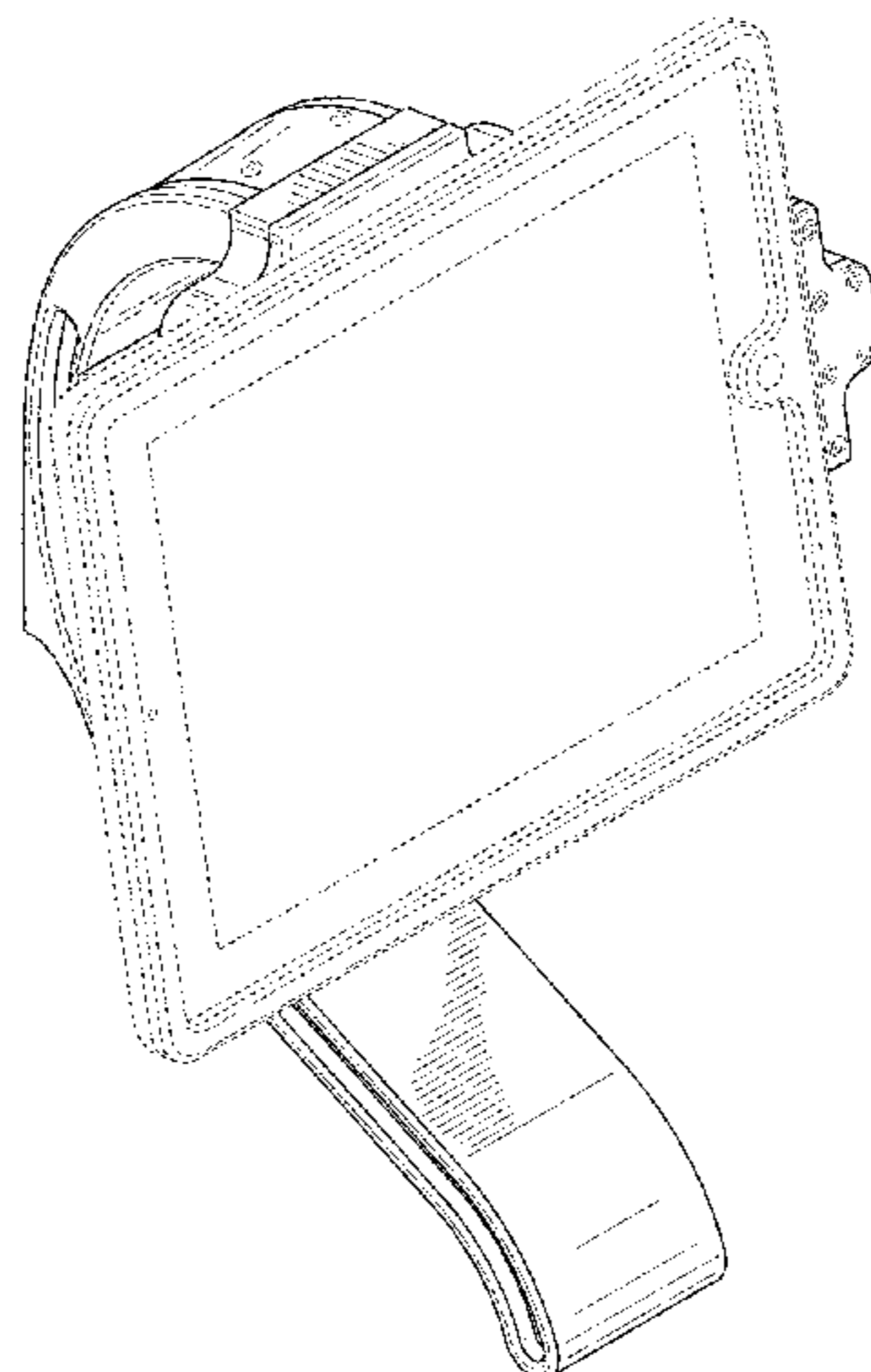
(57) **CLAIM**

The ornamental design for “keyboard and planar display support,” as shown and described.

**DESCRIPTION**

FIG. 1 is a front perspective view of a “keyboard and planar display support”, showing my new design;  
 FIG. 2 is a front elevation view thereof;  
 FIG. 3 is a right side elevation view thereof;  
 FIG. 4 is a back elevation view thereof;  
 FIG. 5 is a left side elevation view thereof;  
 FIG. 6 is top plan view thereof;  
 FIG. 7 is a bottom plan view thereof;  
 FIG. 8 is a rear perspective view of a the display support portion in FIG. 1, omitting the keyboard support portion;  
 FIG. 9 is a rear elevation view thereof;  
 FIG. 10 is a front perspective view thereof, omitting the supported display shown in broken lines in FIG. 1;  
 FIG. 11 is a front elevation view thereof, omitting the supported display shown in broken lines in FIG. 1;  
 FIG. 12 is a right side elevation view thereof, the left side elevation view being the mirror image thereof;  
 FIG. 13 is a top plan view thereof;  
 FIG. 14 is a bottom plan view thereof;  
 FIG. 15 is a front perspective view of the “keyboard and planar display support”, when a keyboard is in a retracted position behind the display support portion, which is rotated to a “landscape” format;  
 FIG. 16 is a front perspective view of the “keyboard and planar display support”, when a keyboard is in a lowered position below the display support portion; and,  
 FIG. 17 is a front perspective view of the “keyboard and planar display support”, when a keyboard is in a lowered position below the display support portion, which is rotated to a “portrait” format.  
 The broken line showings in FIGS. 1-13, 15-17 are for illustrative purposes only, depicting the environment of the new design, forming no part thereof as claimed.

**1 Claim, 14 Drawing Sheets**



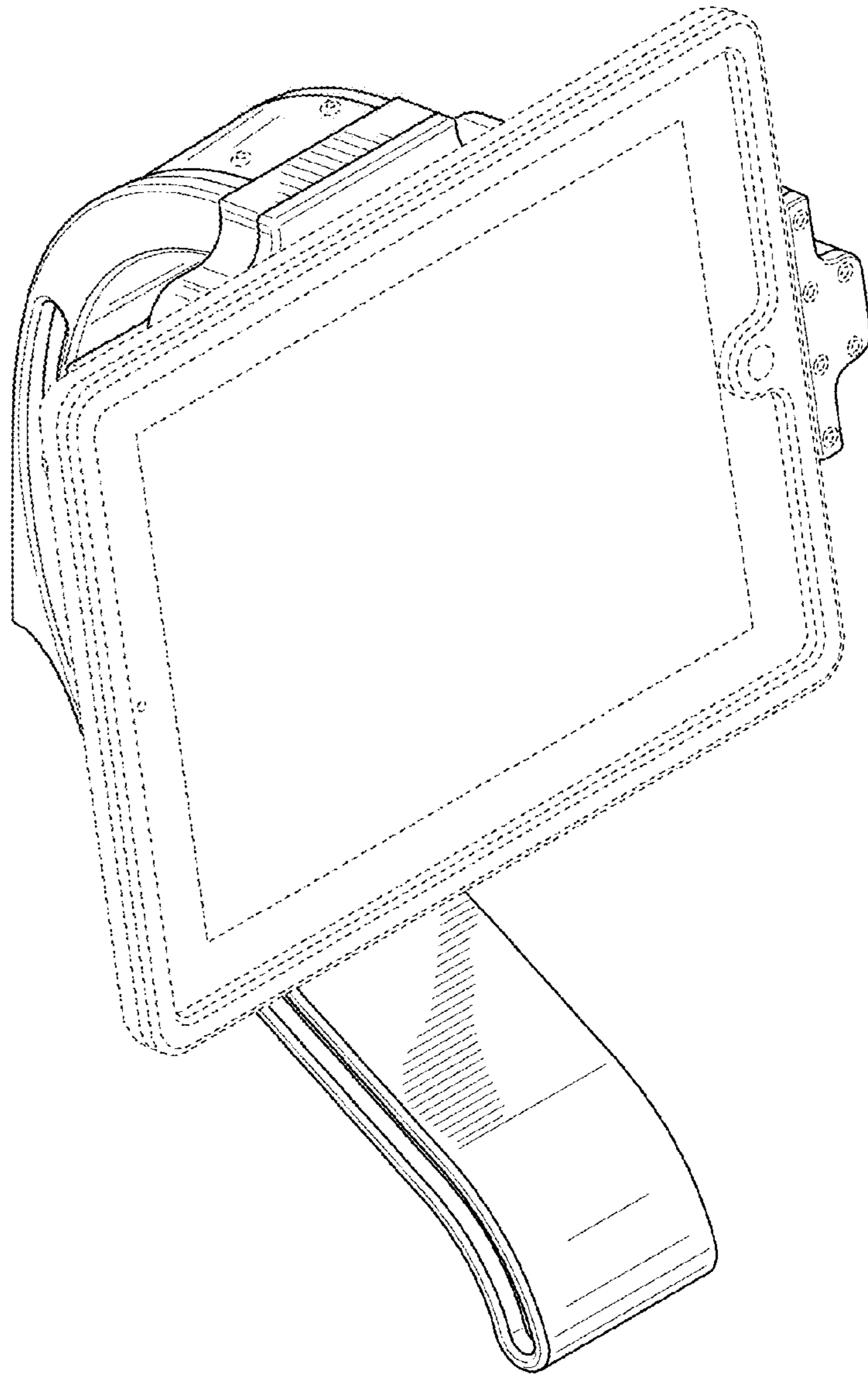


FIG. 1

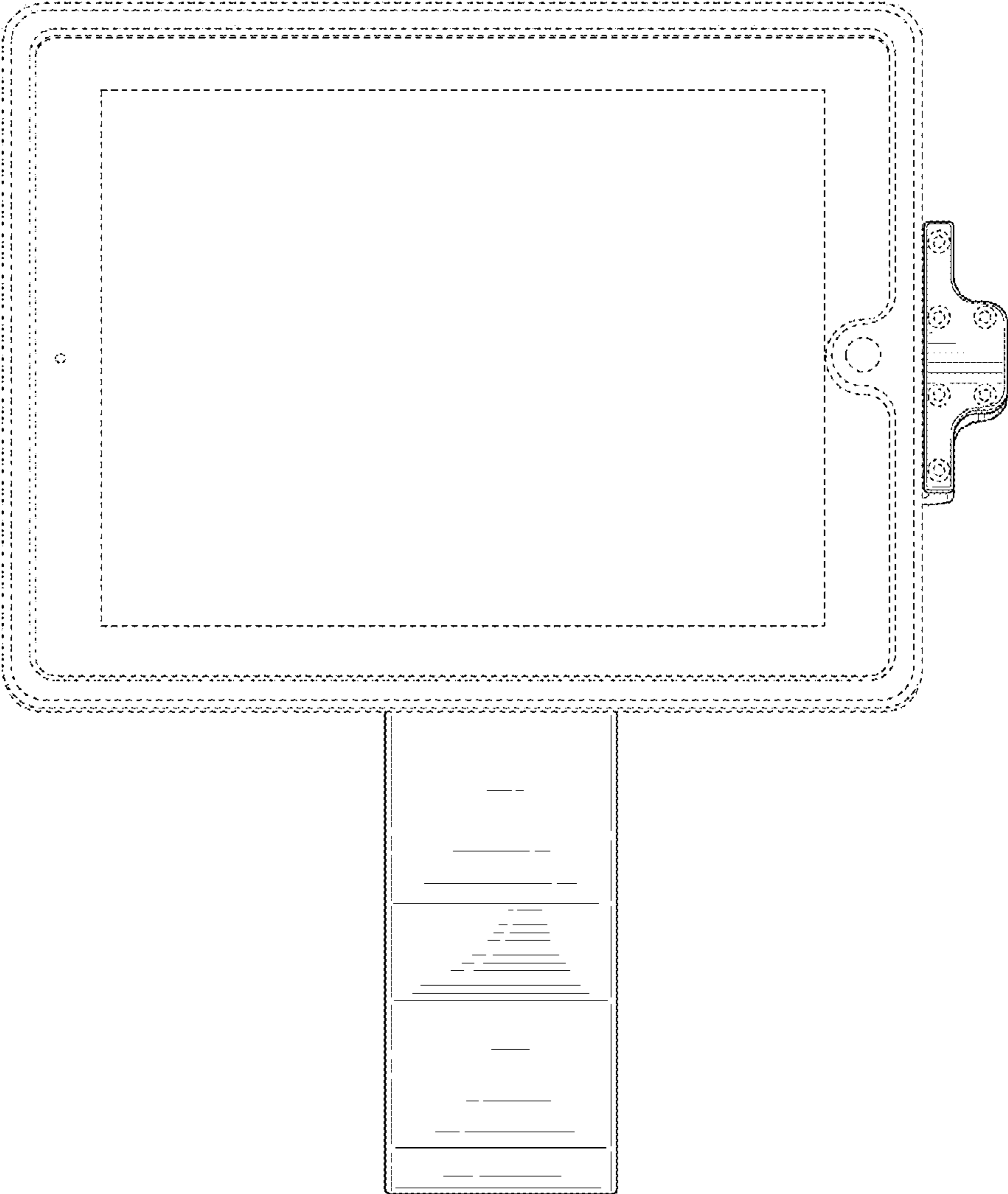


FIG. 2

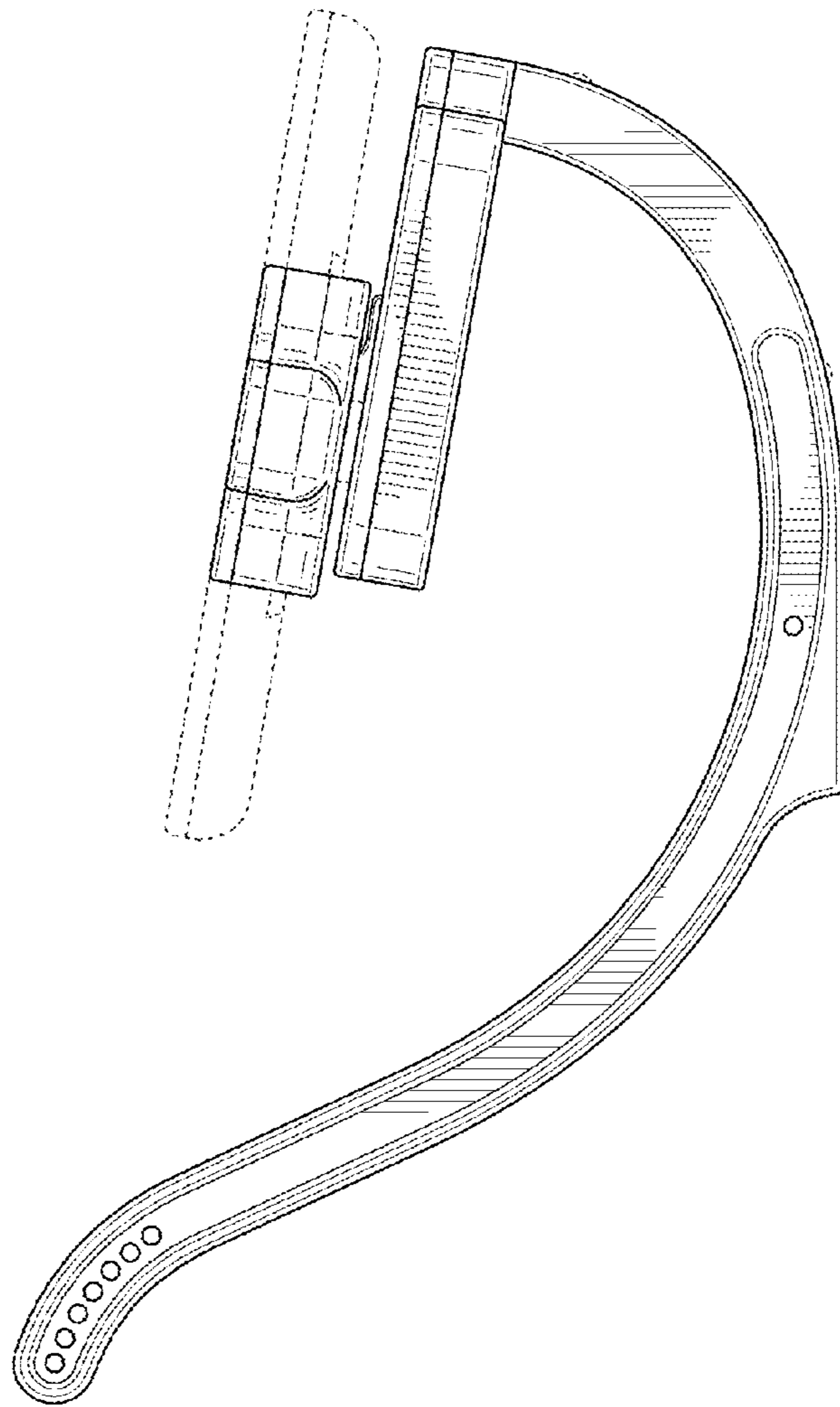


FIG. 3

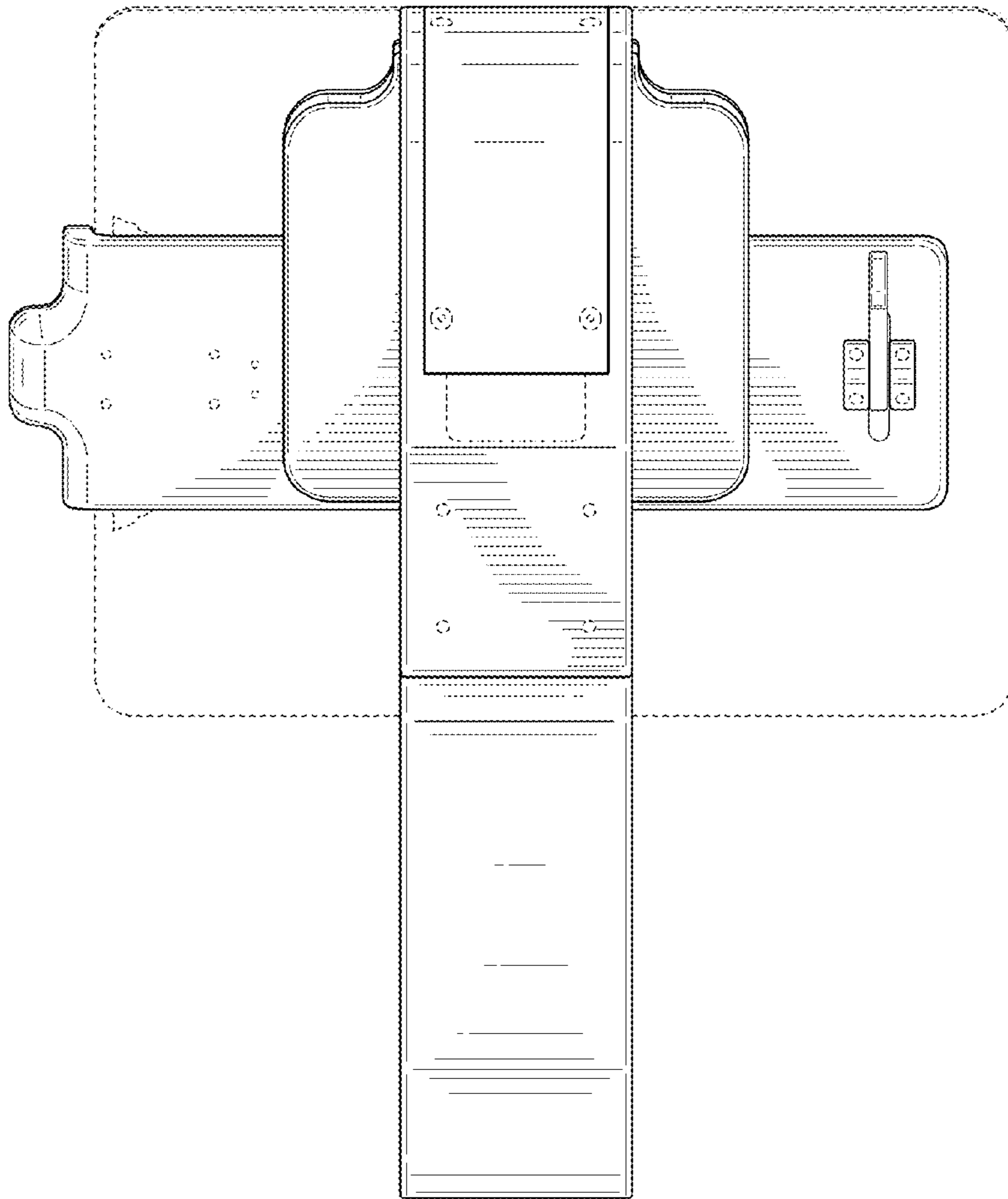


FIG. 4

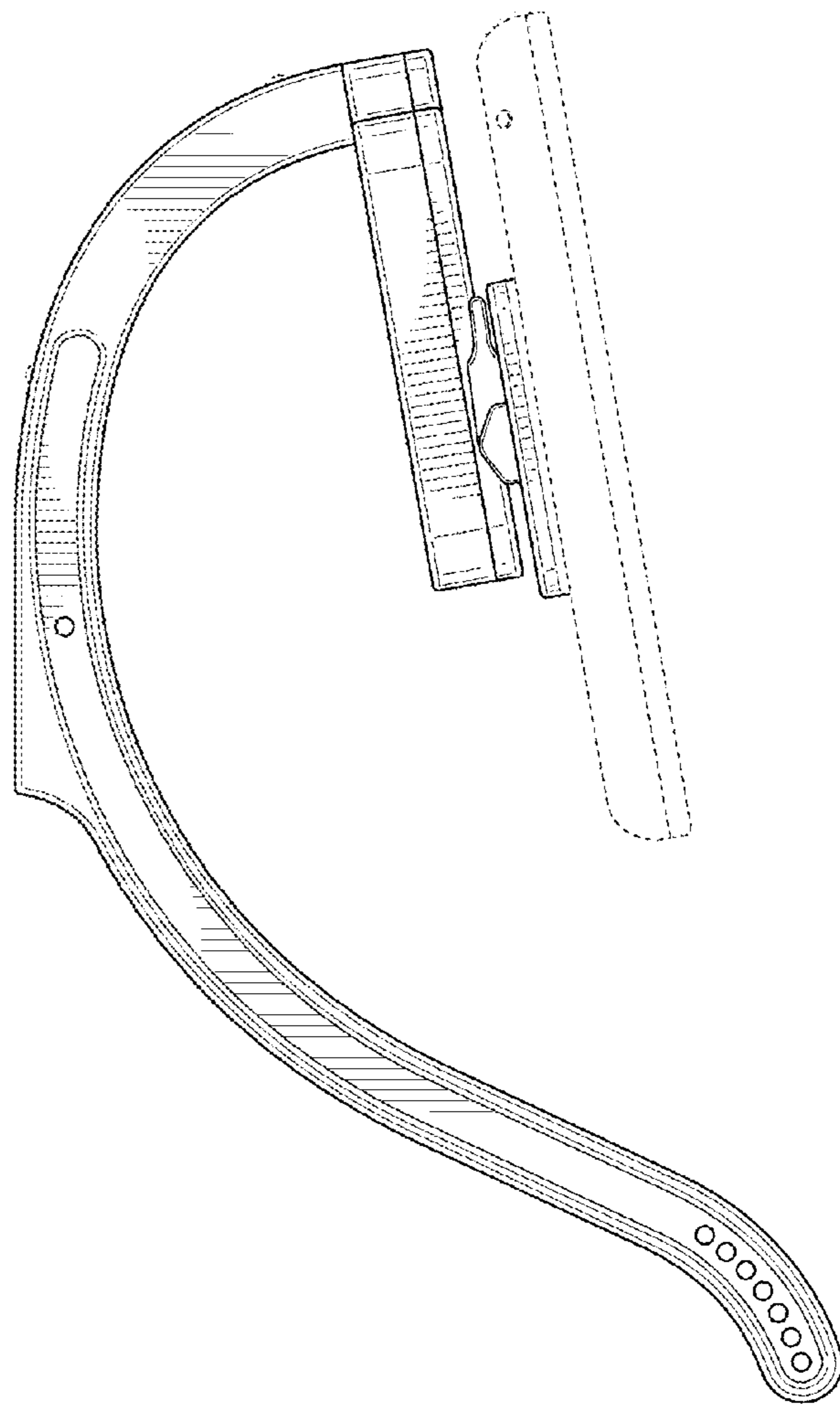


FIG. 5

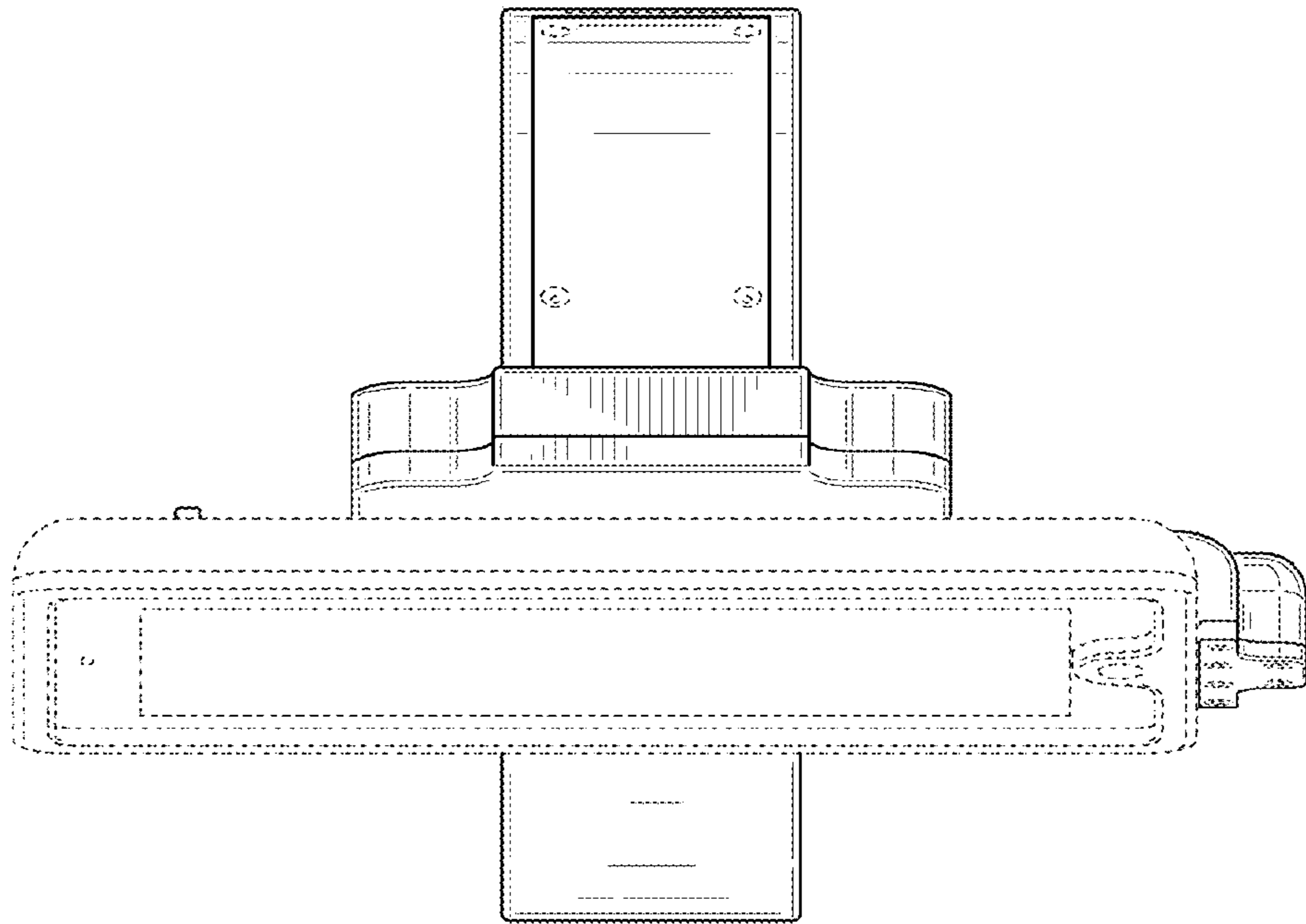


FIG. 6

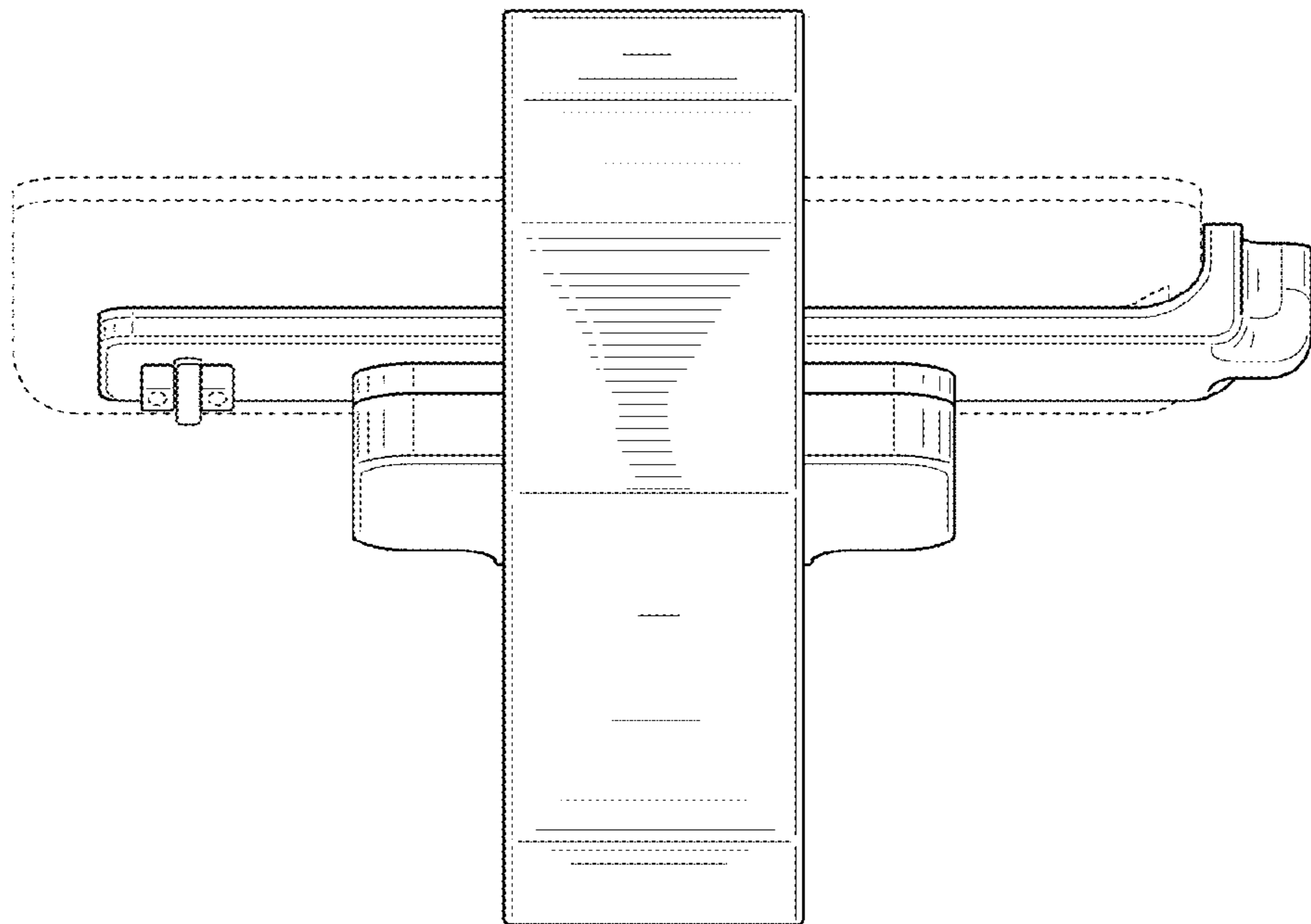
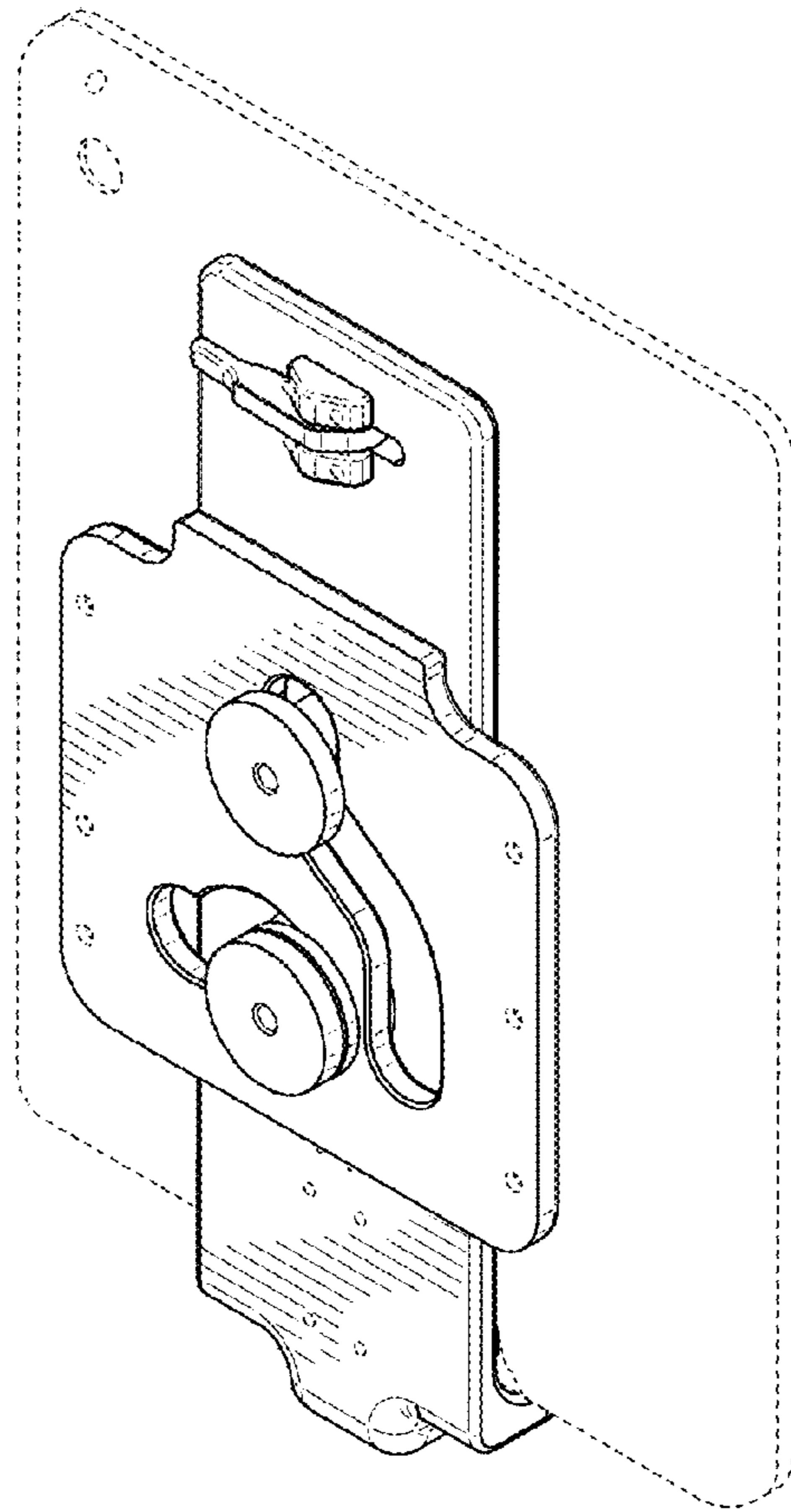


FIG. 7



**FIG. 8**



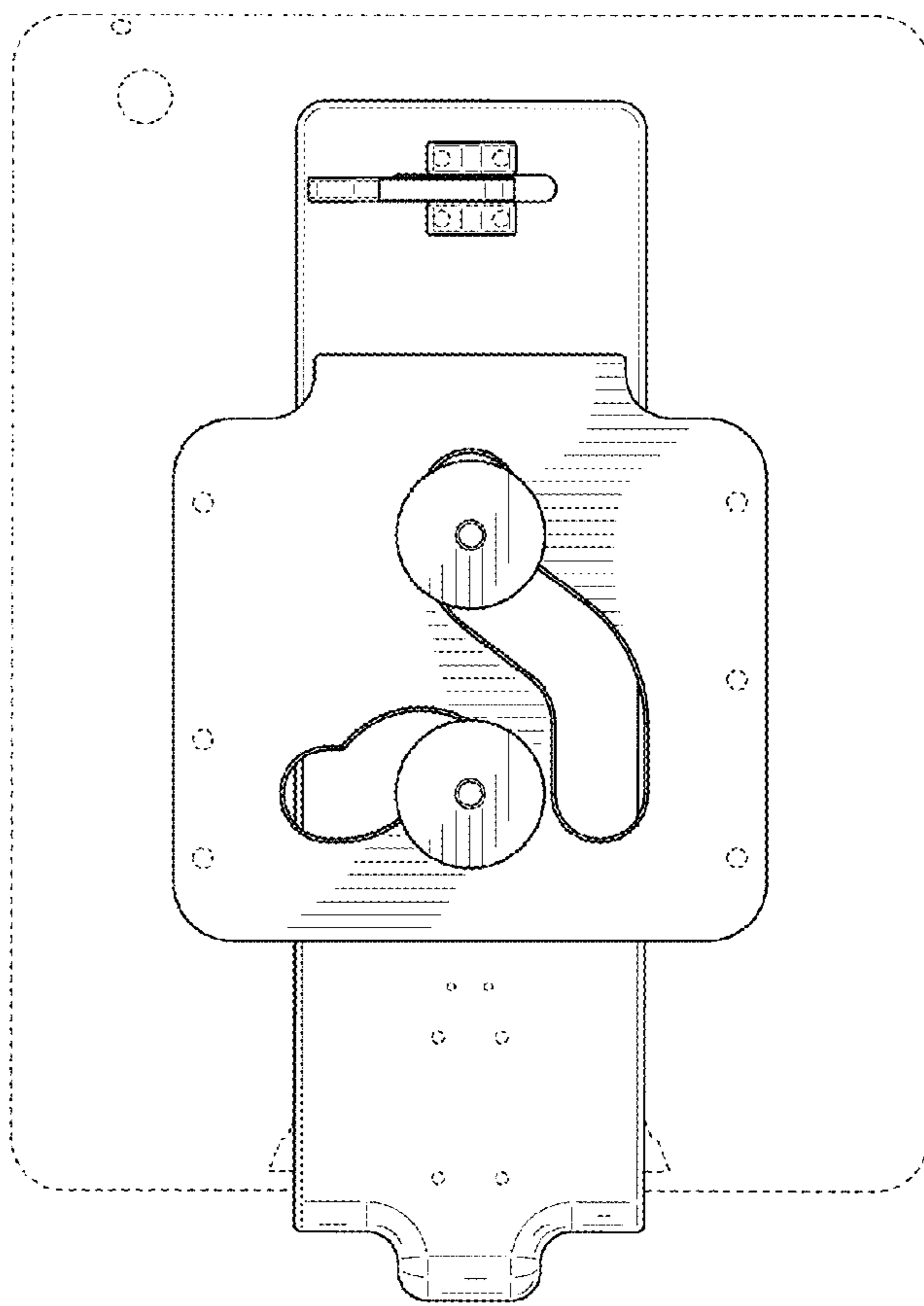


FIG. 9

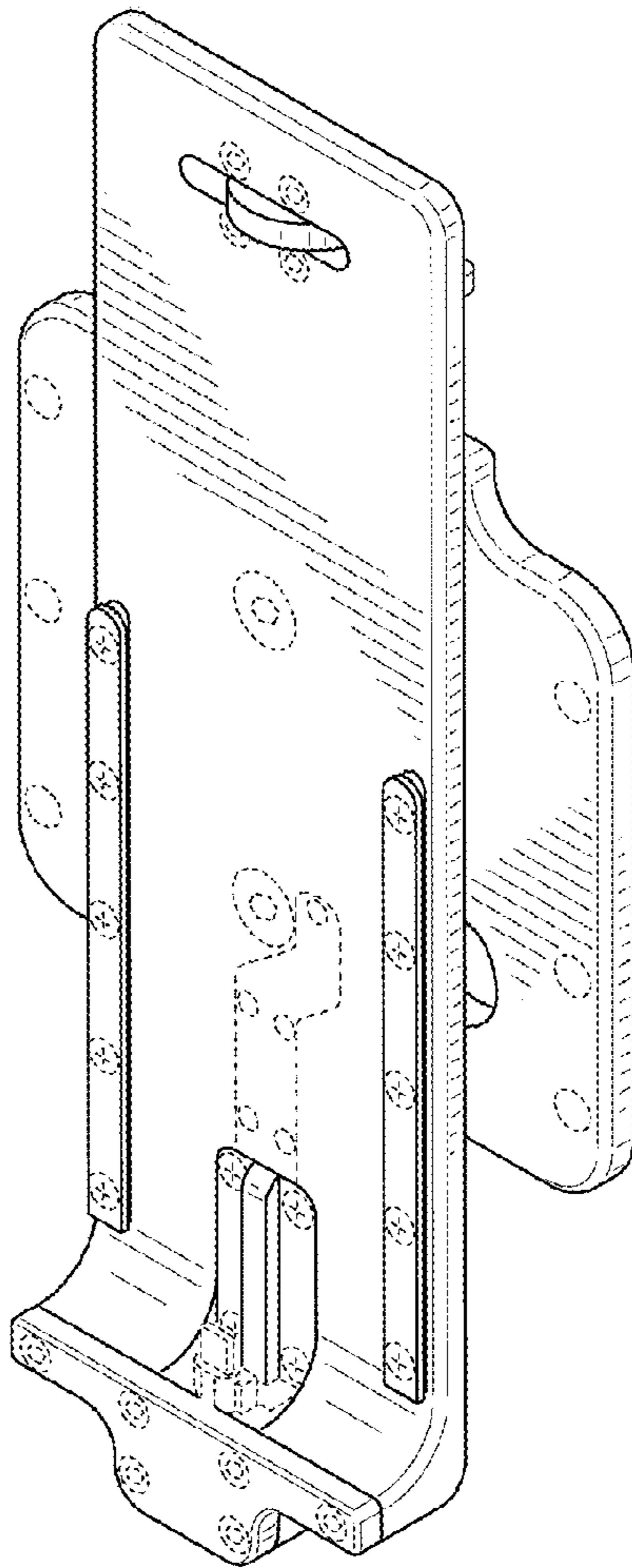


FIG. 10

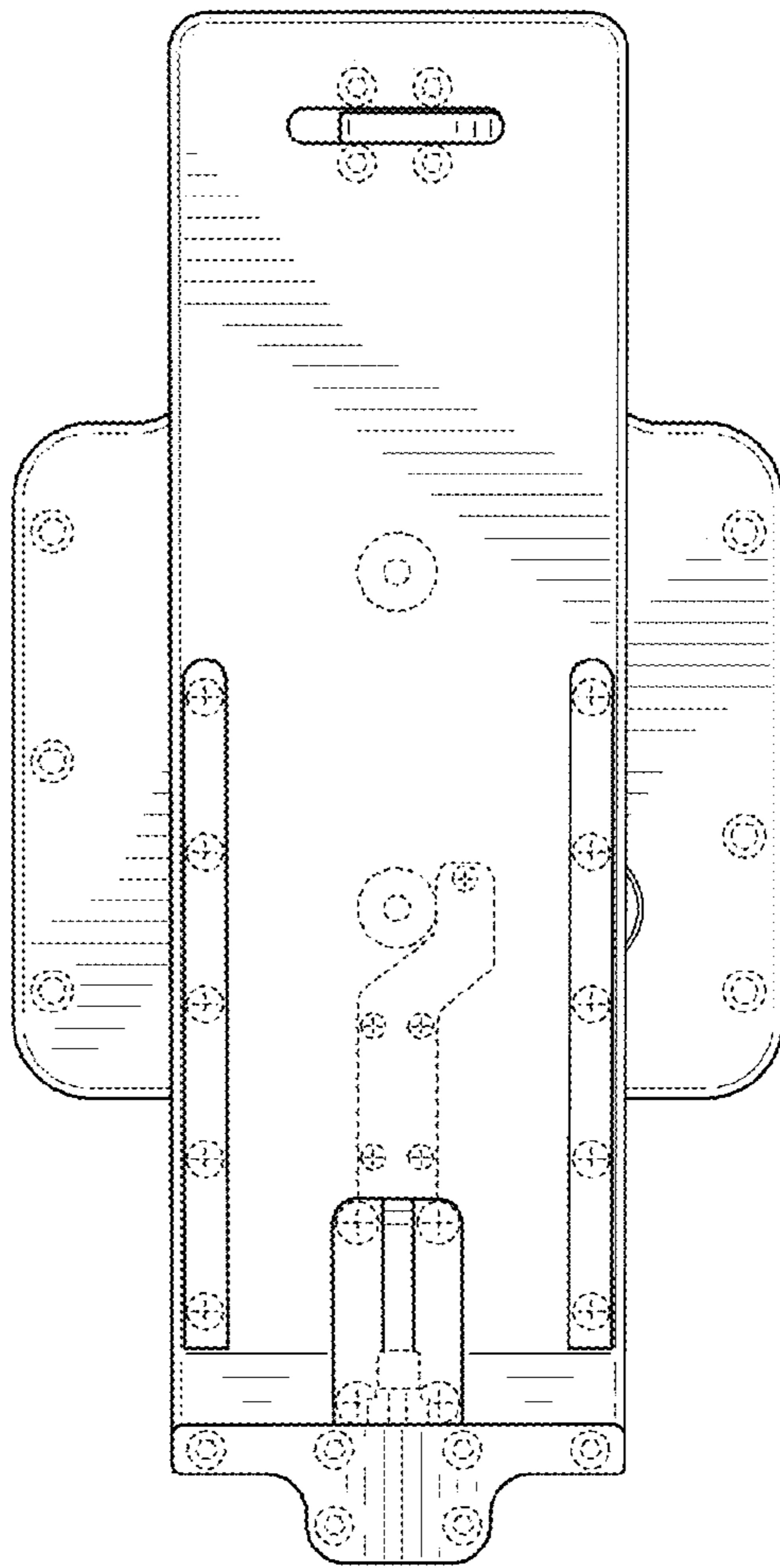


FIG. 11

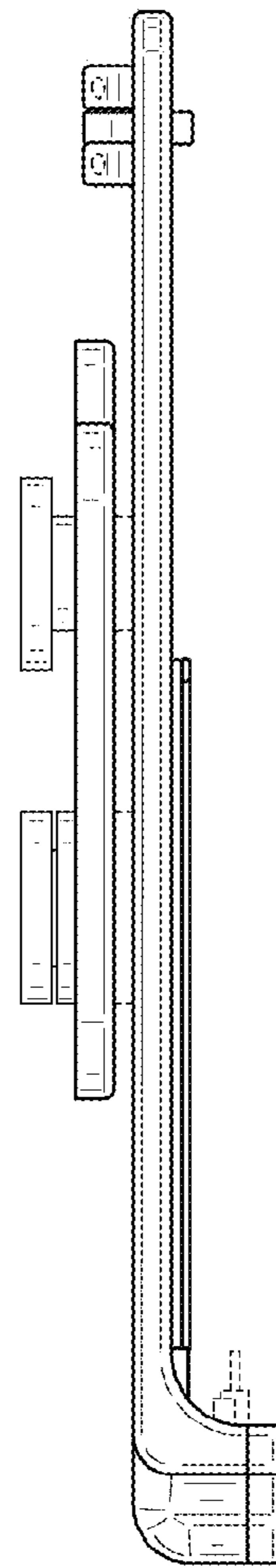
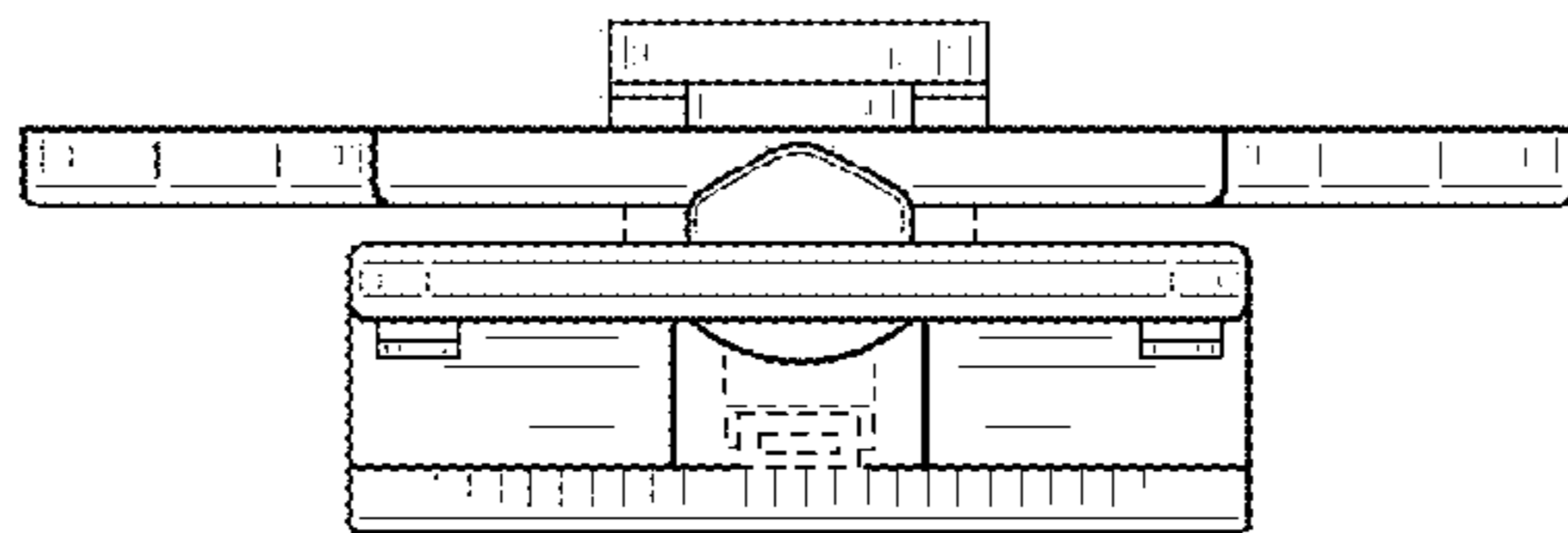
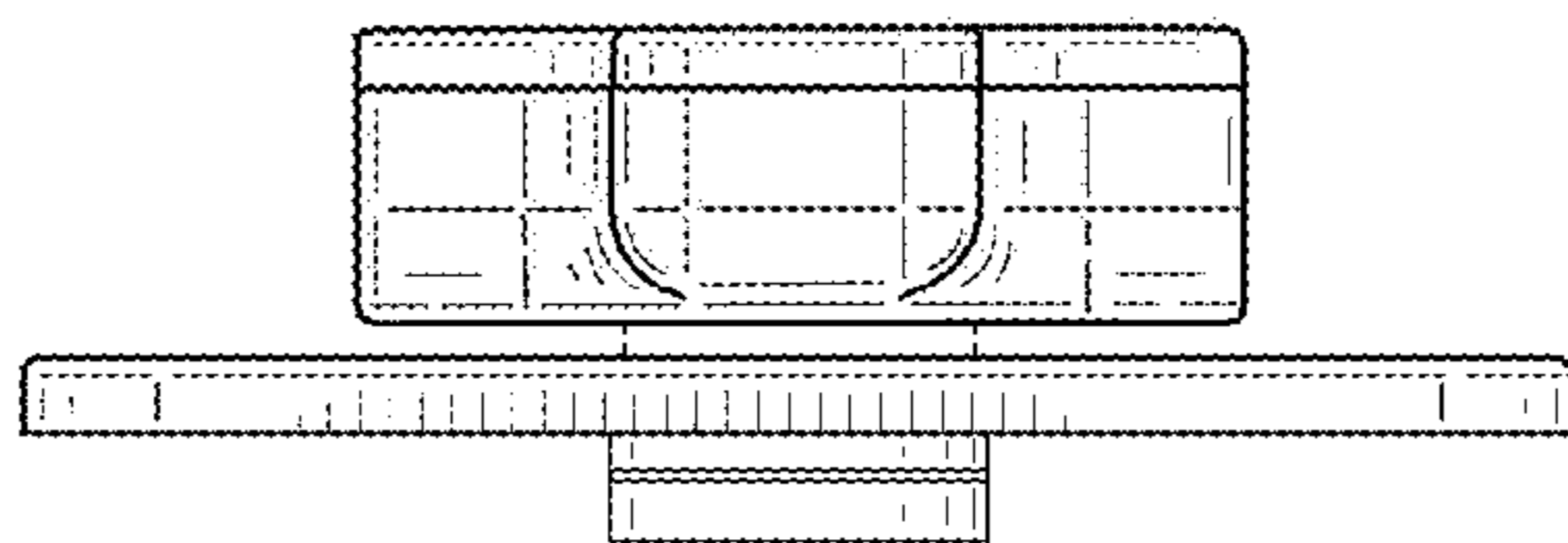


FIG. 12



**FIG. 13**



**FIG. 14**

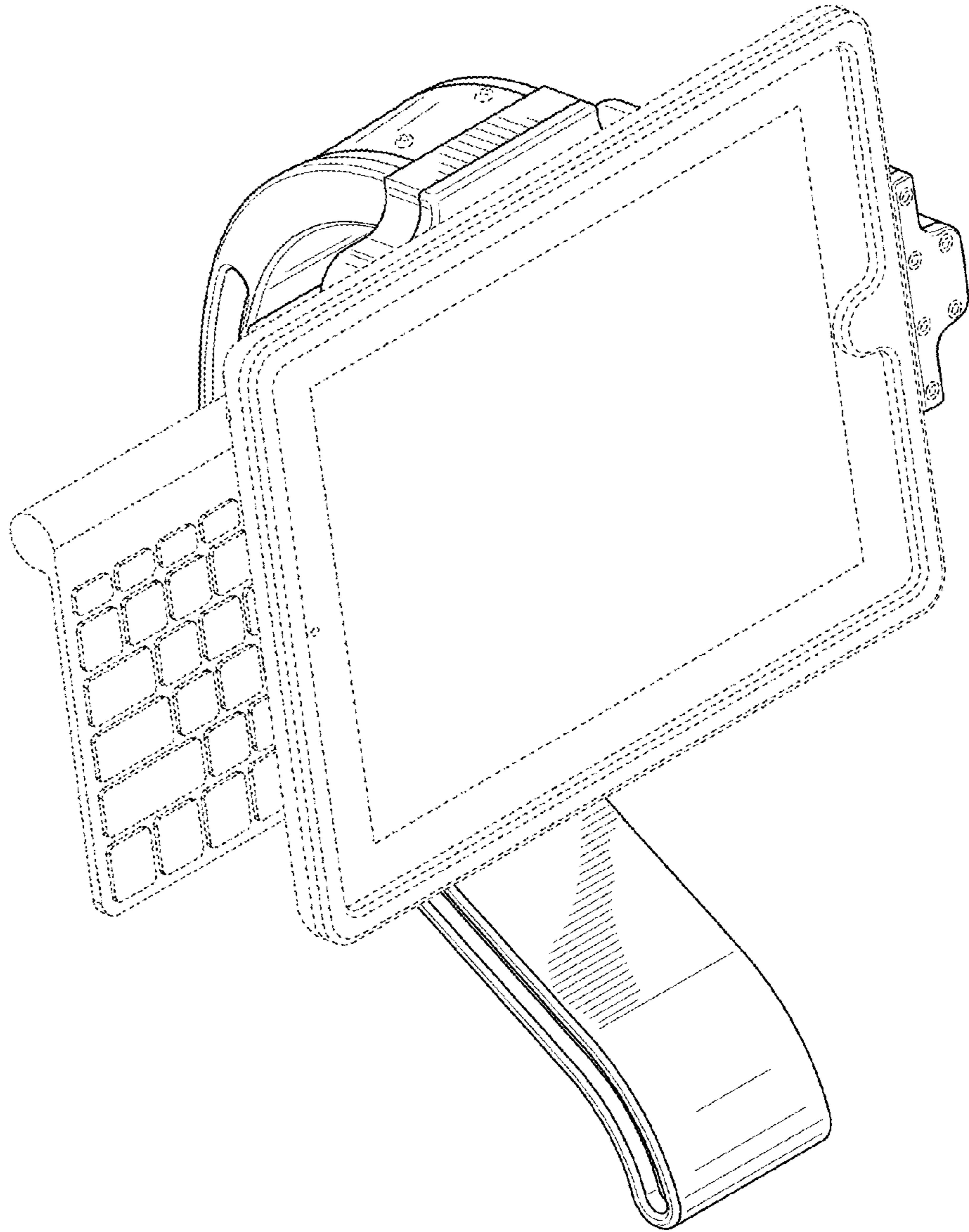


FIG. 15

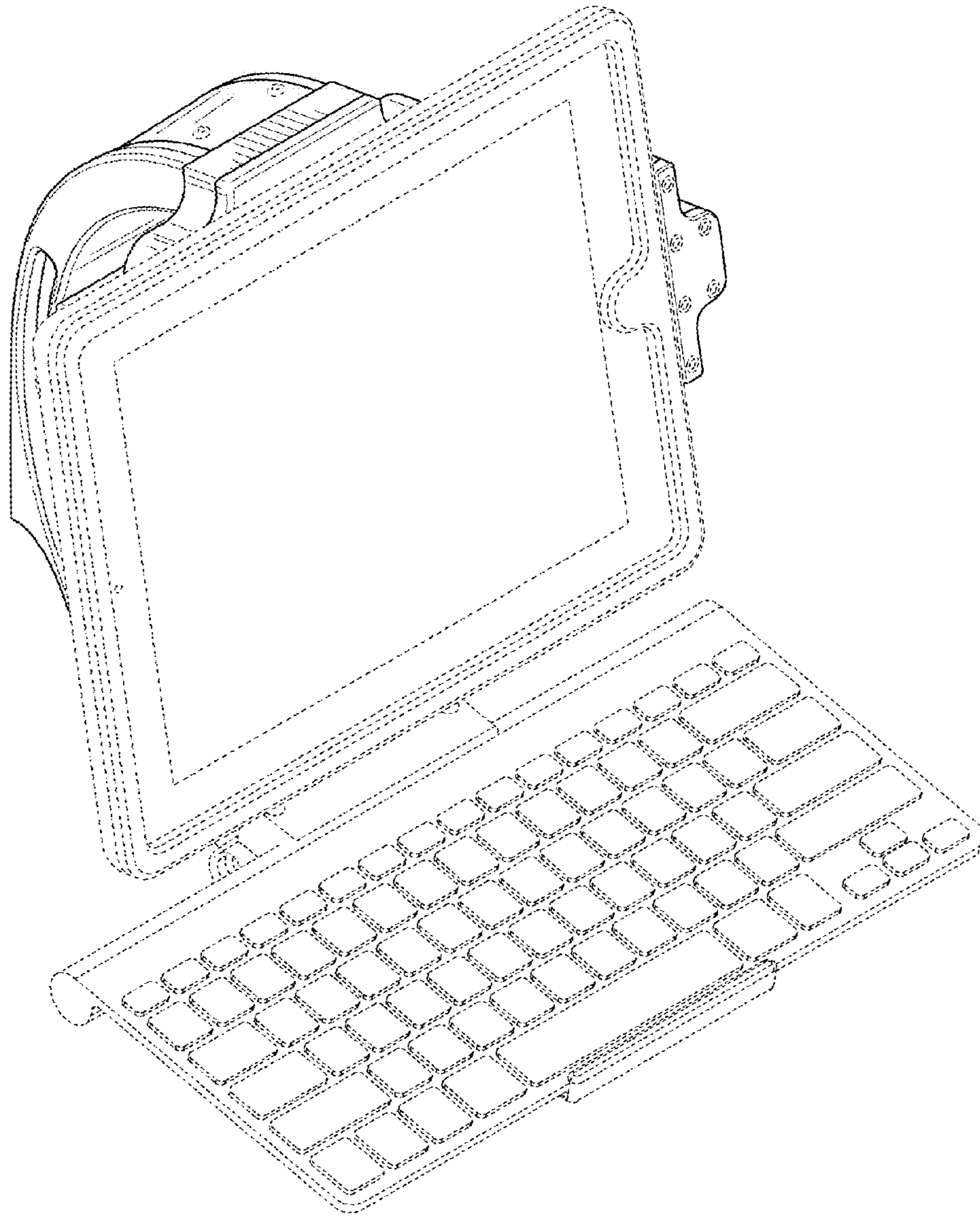


FIG. 16

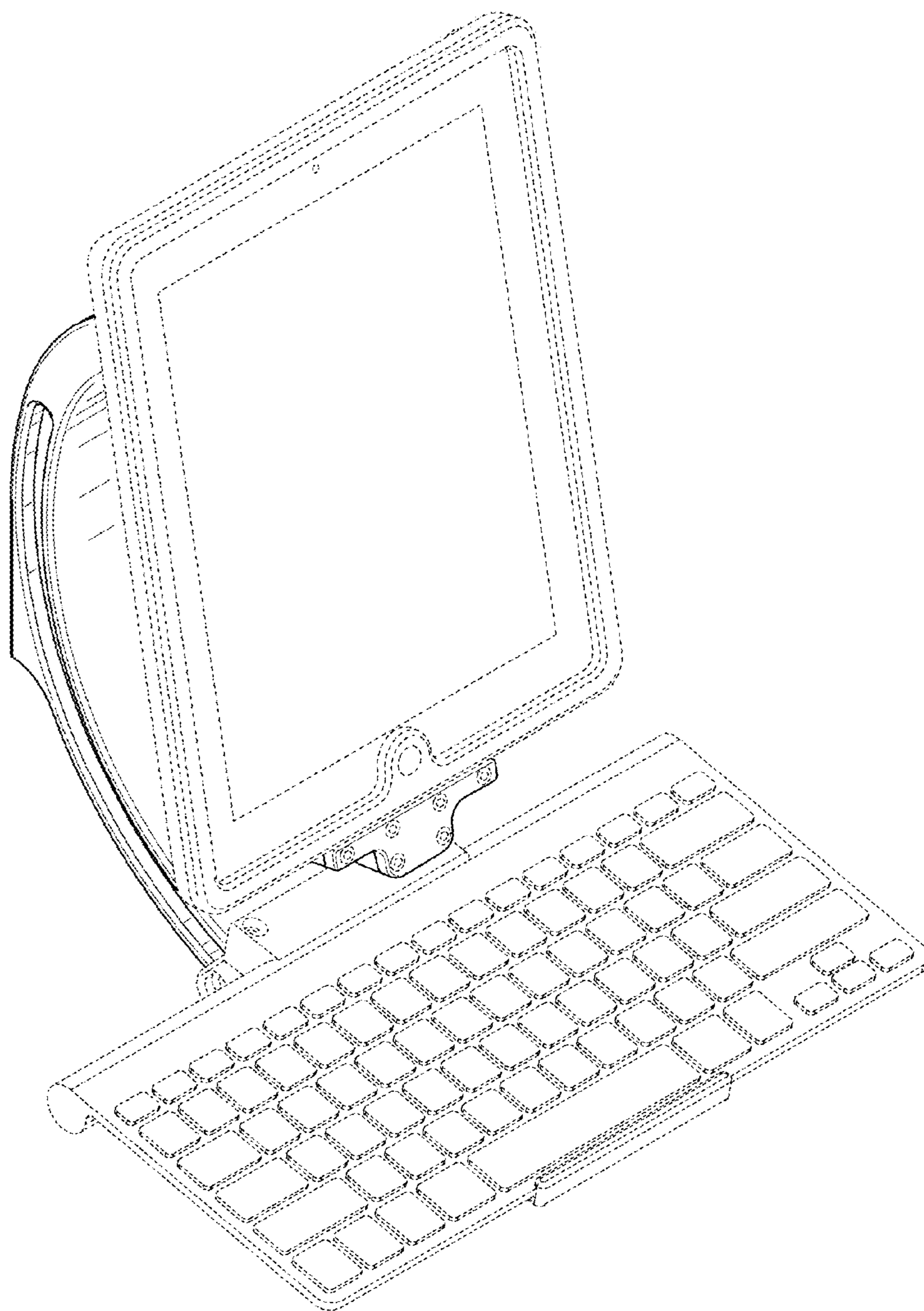


FIG. 17