



US00D726733S

(12) **United States Design Patent**
Specht et al.

(10) **Patent No.:** **US D726,733 S**
(45) **Date of Patent:** **** Apr. 14, 2015**

(54) **TABLET CASE AND STAND**

(71) Applicant: **Block and Company, Inc.**, Wheeling, IL (US)

(72) Inventors: **Paul E. Specht**, Glenview, IL (US);
John Sung Heup Yang, Northbrook, IL (US)

(73) Assignee: **Block and Company, Inc.**, Wheeling, IL (US)

(**) Term: **14 Years**

(21) Appl. No.: **29/494,294**

(22) Filed: **Jun. 19, 2014**

(51) **LOC (10) Cl.** **14-04**

(52) **U.S. Cl.**
USPC **D14/447**

(58) **Field of Classification Search**
USPC D14/447, 432, 434, 439, 440, 451, 452,
D14/239, 251, 253, 217, 374, 375;
D6/406.3, 406.4, 406.5; D3/218;
D12/415; 248/917-924, 445, 447, 451,
248/455, 460, 150, 188.6, 176.1;
361/679.09, 679.21, 679.22, 679.26,
361/679.3, 679.55, 679.56

See application file for complete search history.

(56) **References Cited**

U.S. PATENT DOCUMENTS

D626,129 S *	10/2010	Lutz	D14/447
D675,212 S *	1/2013	Chen	D14/447
D678,886 S *	3/2013	Heckler	D14/447
D688,670 S *	8/2013	Huang	D14/447
D692,013 S *	10/2013	Crysell	D14/447
D693,352 S *	11/2013	Gelsomini et al.	D14/447
D693,824 S *	11/2013	Erdfarb	D14/447
D695,748 S *	12/2013	Morris et al.	D14/447

D696,671 S *	12/2013	Carnevali	D14/447
D696,672 S *	12/2013	Brittain et al.	D14/447
D706,785 S *	6/2014	Brittain et al.	D14/447
D710,365 S *	8/2014	Huang	D14/447

OTHER PUBLICATIONS

Existing AIDMA Enterprise Tablet Station products as illustrated at <http://www.aidata.com/en/goods.php?act=view&no=1882>.

Existing Highgrade Tablet Stand products as illustrated at <http://www.highgrade.com.tw/>.

* cited by examiner

Primary Examiner — Angela J Lee

(74) *Attorney, Agent, or Firm* — Husch Blackwell LLP

(57) **CLAIM**

The ornamental design for tablet case and stand, as shown and described.

DESCRIPTION

FIG. 1. is a front perspective view of a tablet case and stand showing the new design;

FIG. 2 is a front view thereof, showing adjustment of the bracket;

FIG. 3 is a rear perspective view thereof;

FIG. 4. is a top view thereof.

FIG. 5. is bottom view thereof;

FIG. 6 is a left view thereof;

FIG. 7 is right view thereof;

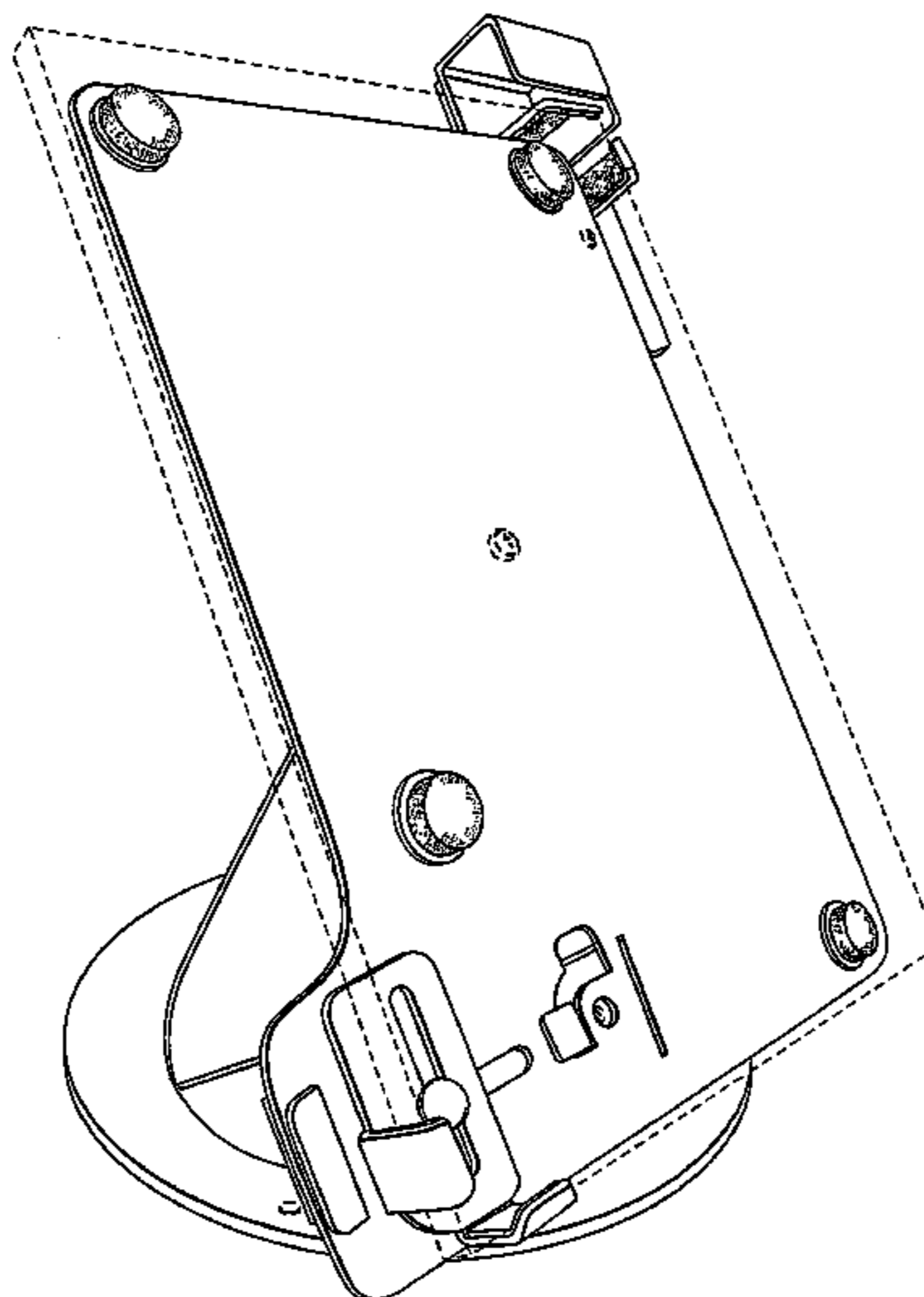
FIG. 8 is a rear plan view thereof;

FIG. 9 is an exploded rear view of the bottom left corner of the tablet case with the locked cover removed, exposing a mechanism for adjusting the bracket; and,

FIG. 10 is a rear perspective view thereof, with a portion of the vertical support cut out to show the rear lock housing.

The broken lines in the figures illustrate unclaimed environment and form no part of the claimed design.

1 Claim, 9 Drawing Sheets



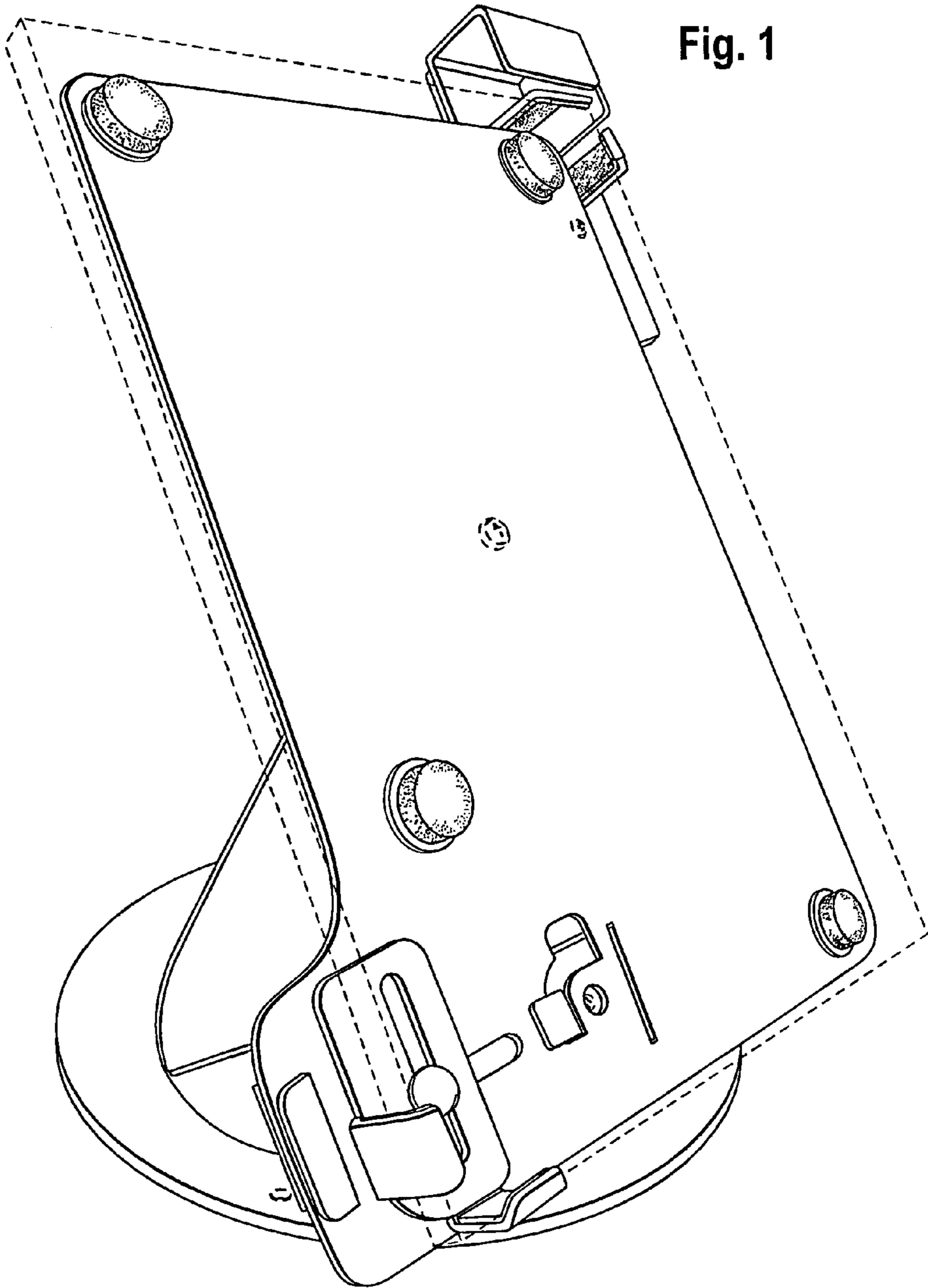


Fig. 1

Fig. 2

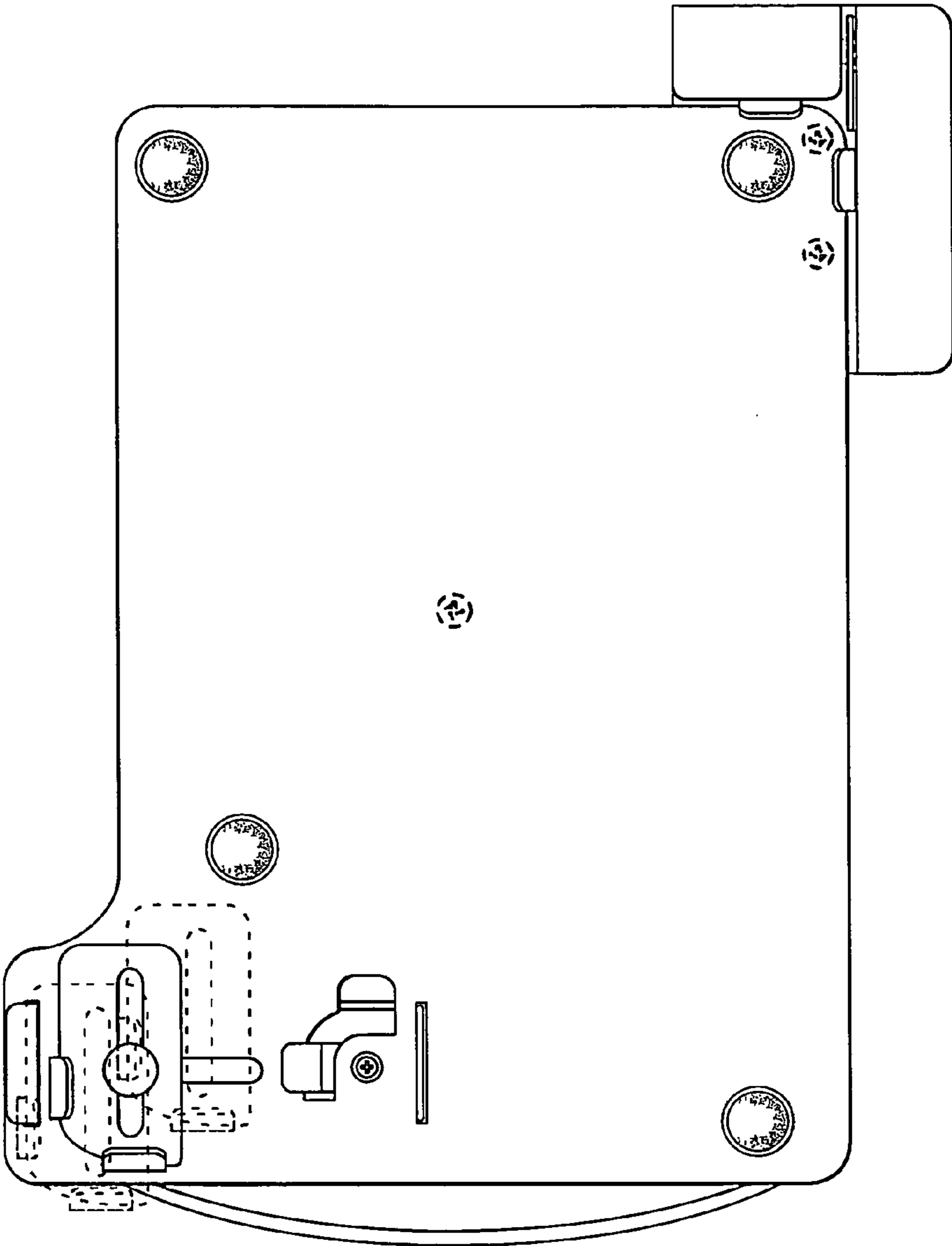


Fig. 3

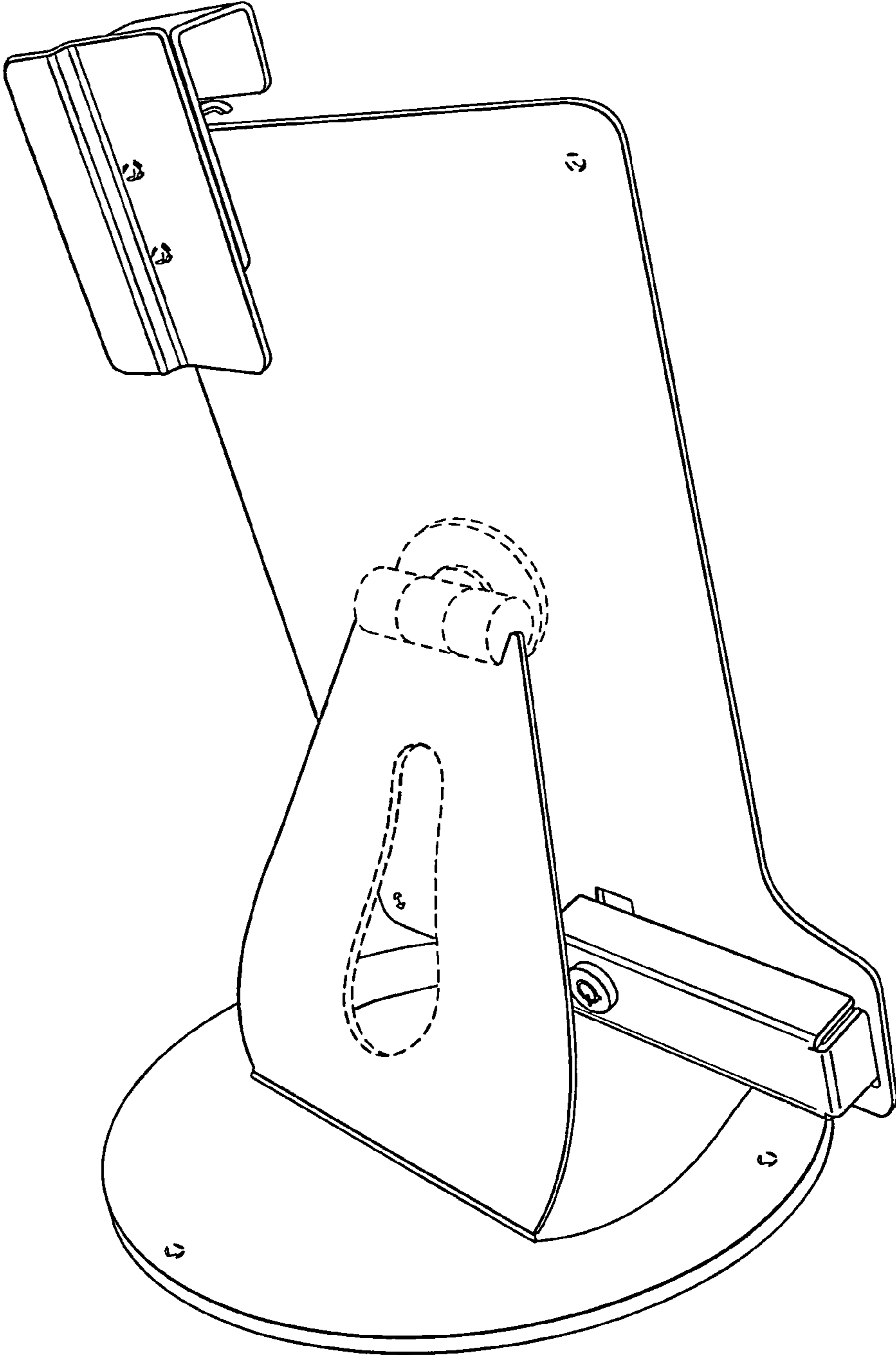


Fig. 4

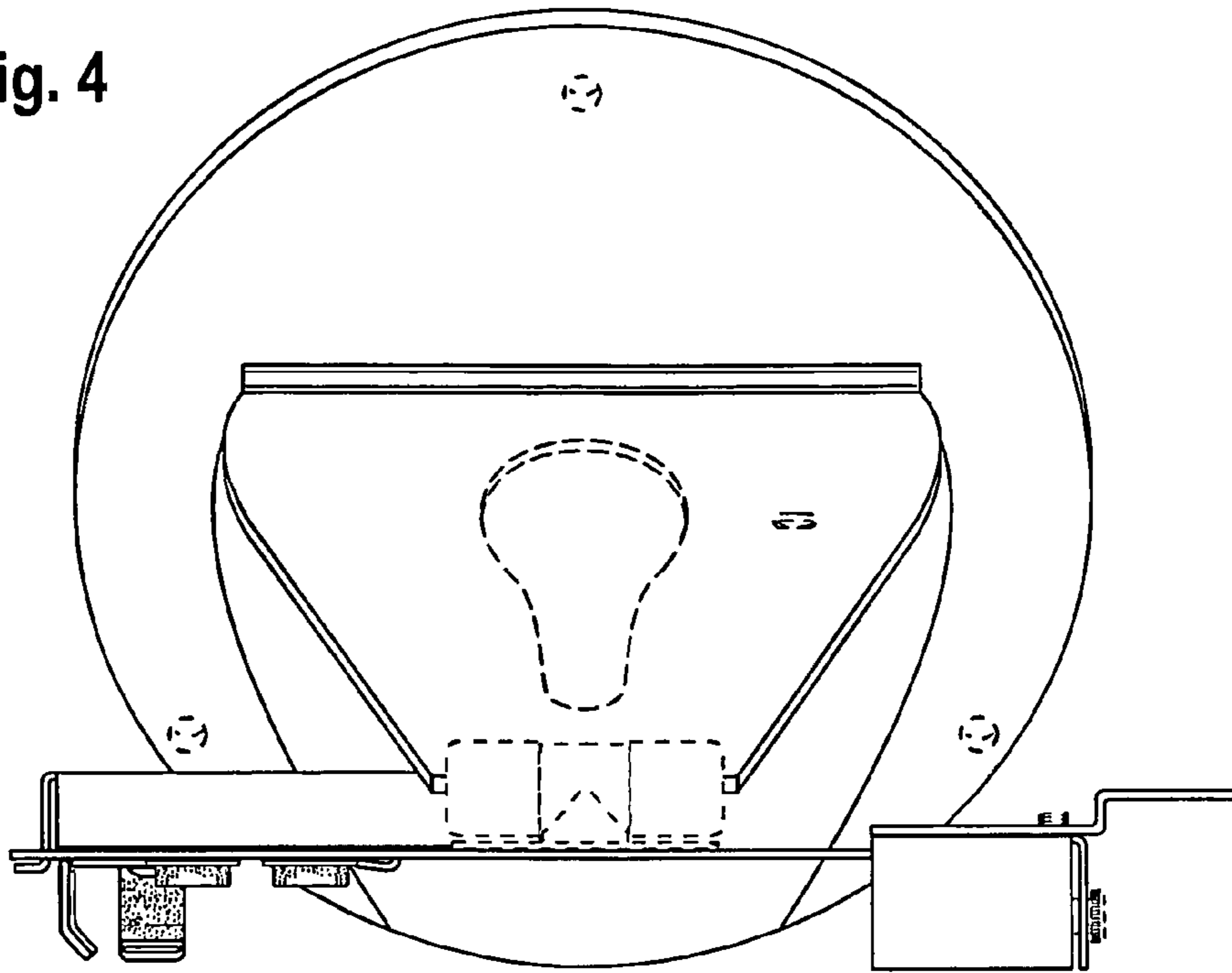


Fig. 5

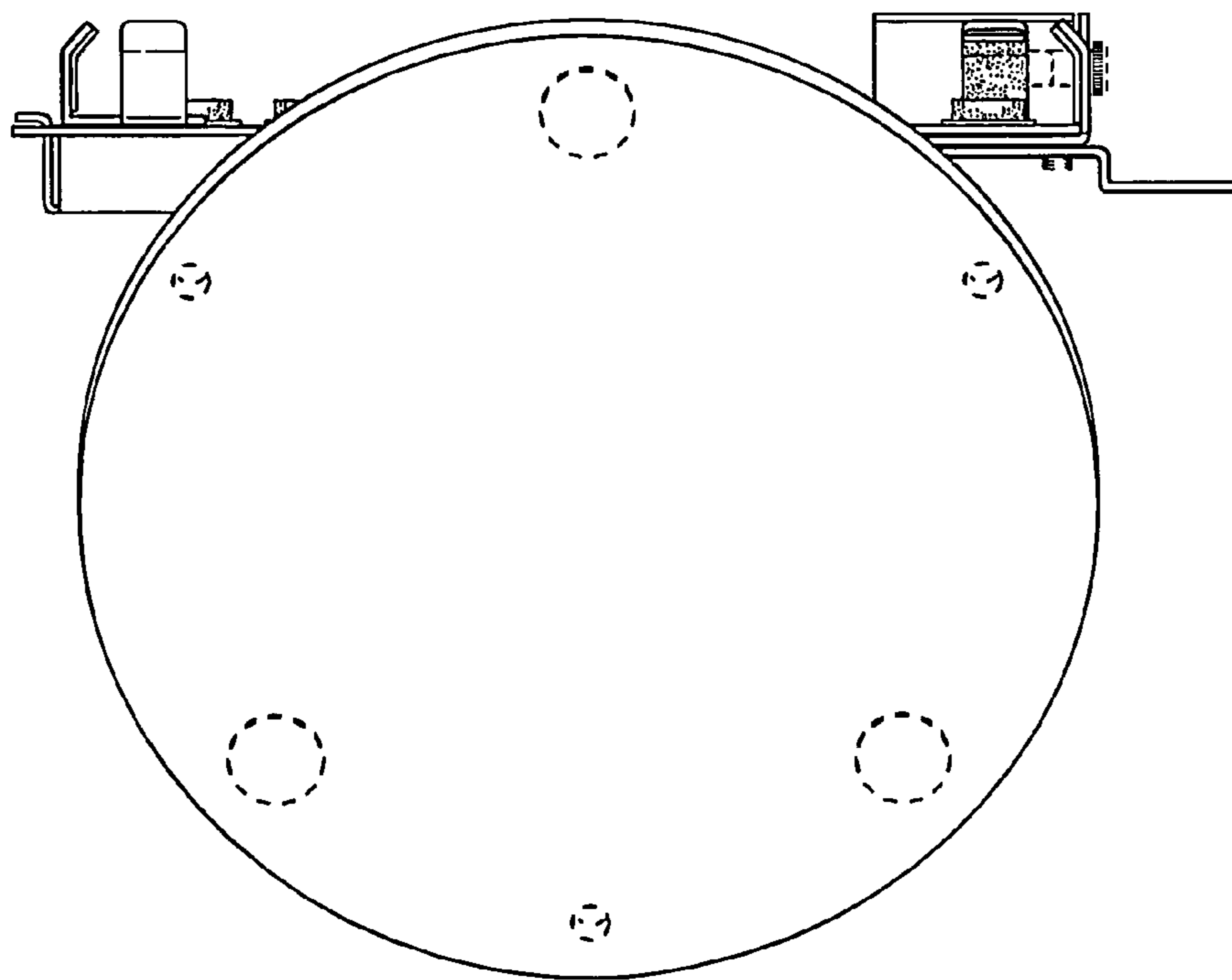
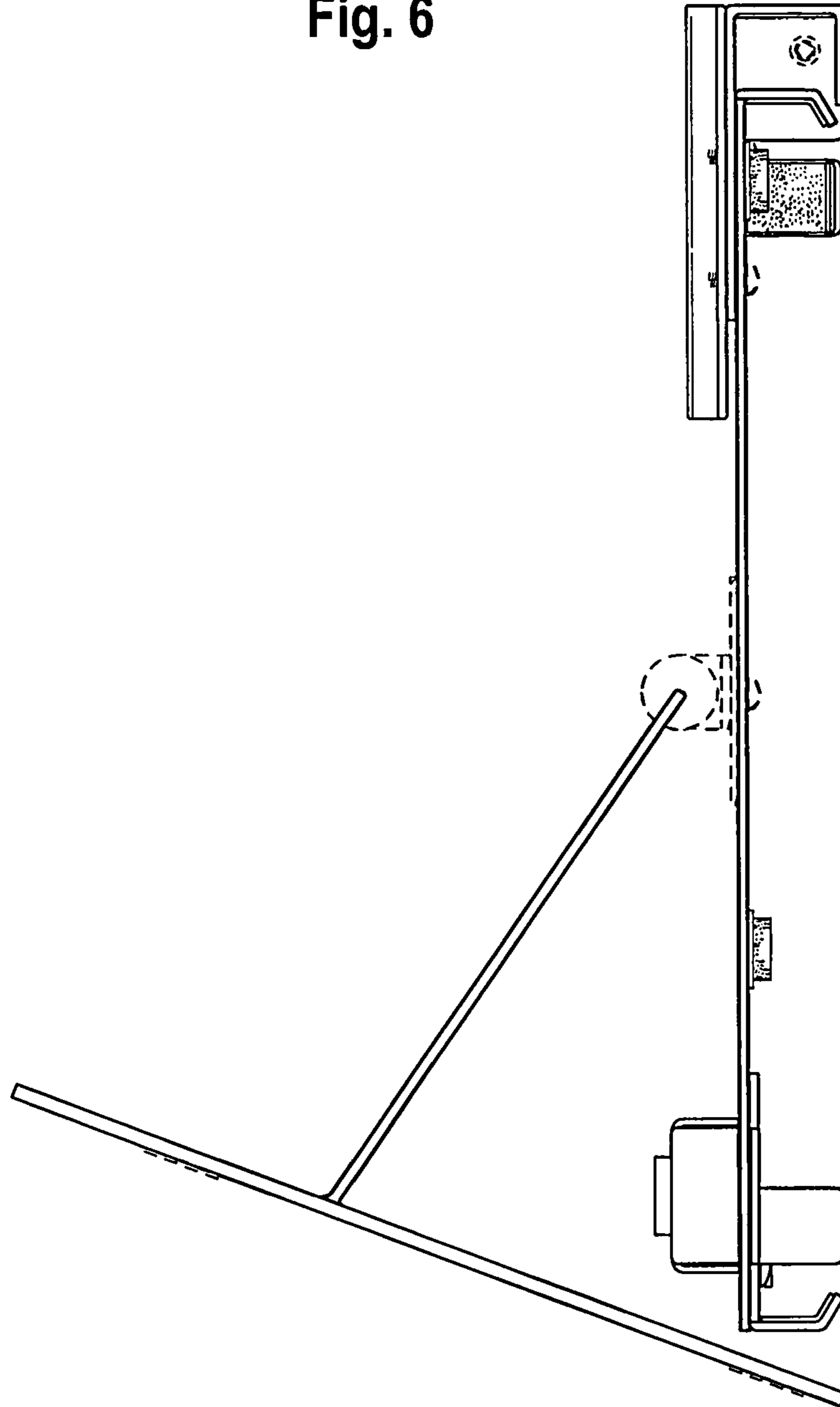


Fig. 6



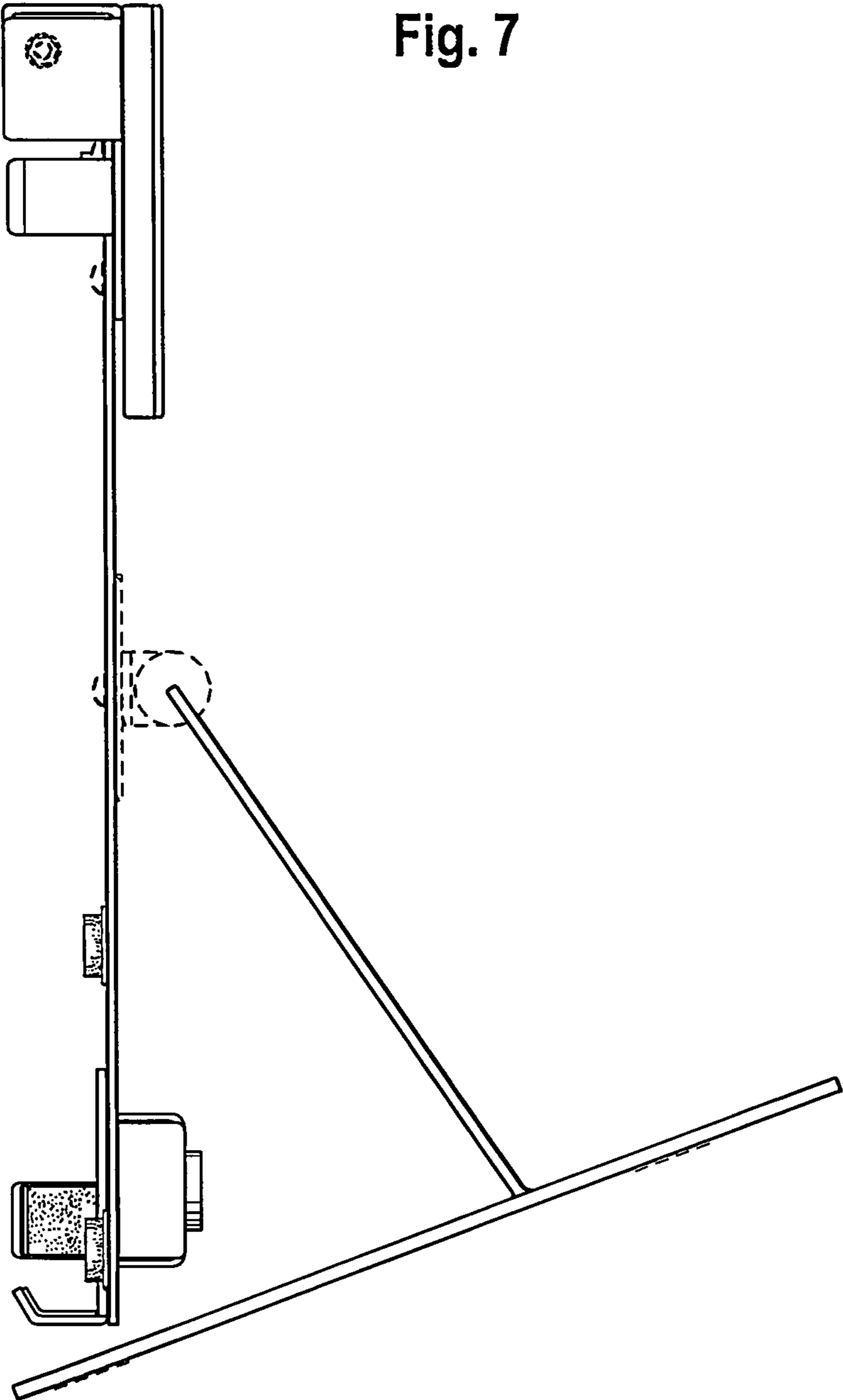


Fig. 7

Fig. 8

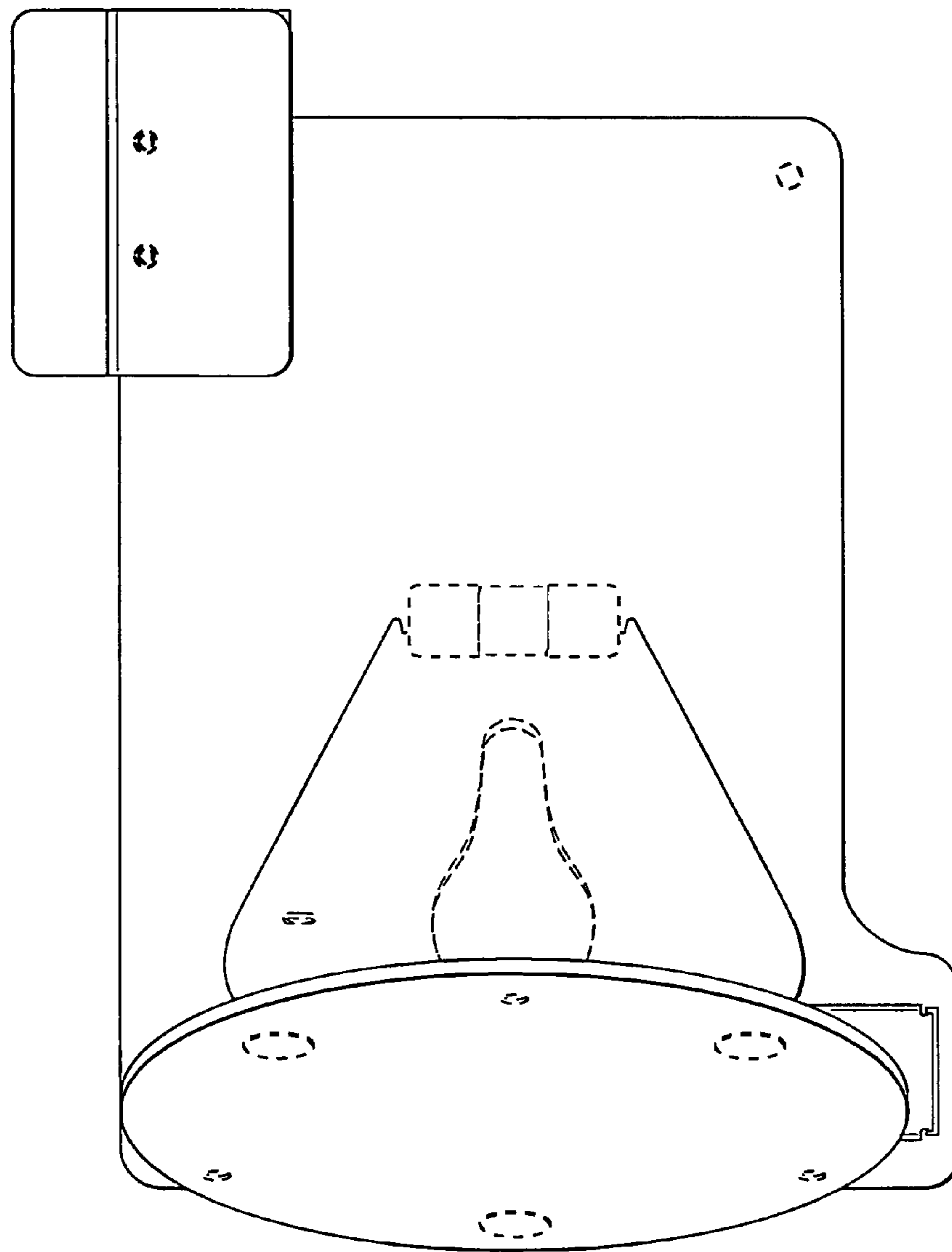


Fig. 9

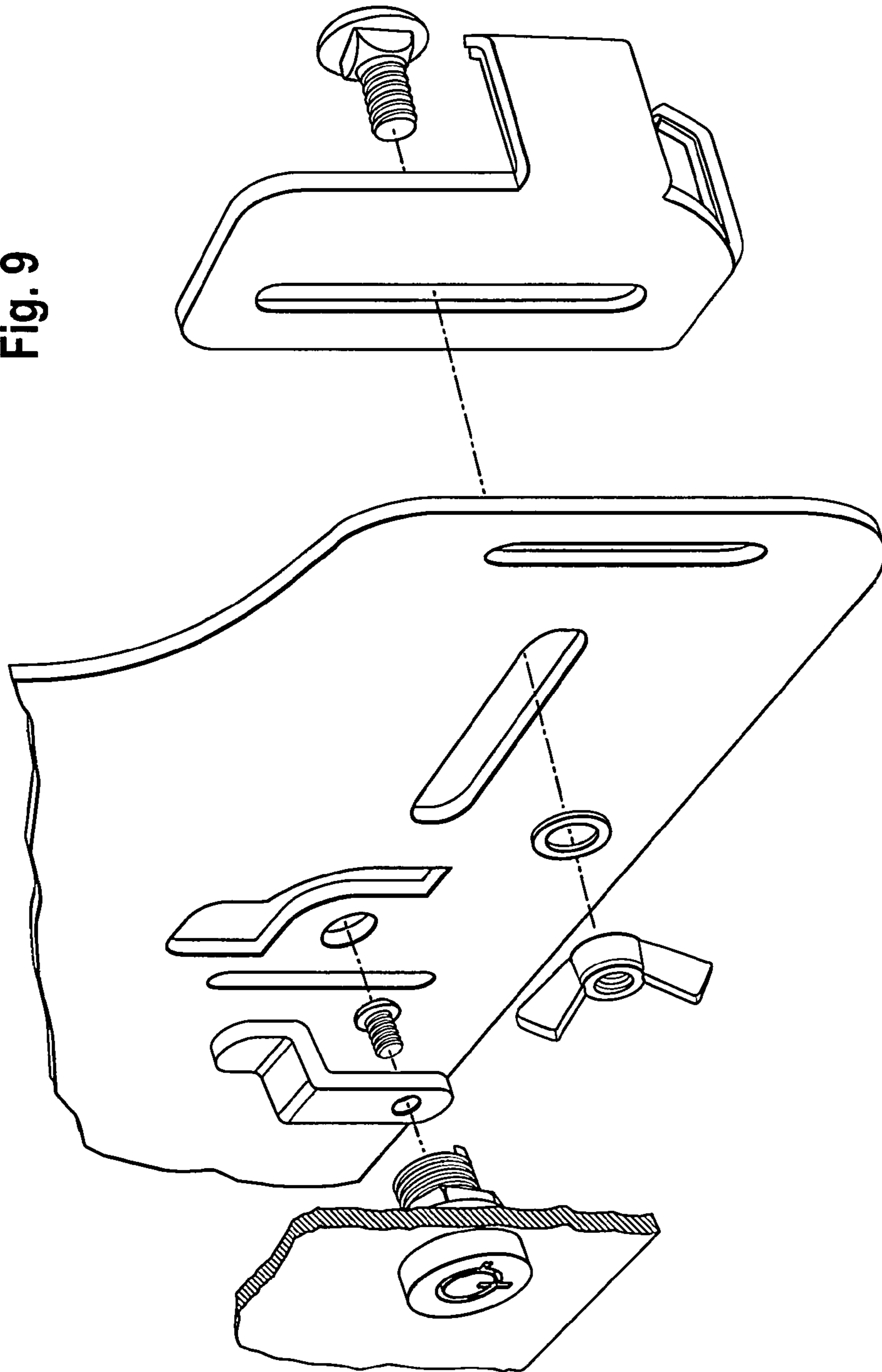


Fig. 10

