



US00D726730S

(12) **United States Design Patent**
Mahmood

(10) **Patent No.:** **US D726,730 S**
(45) **Date of Patent:** **** Apr. 14, 2015**

(54) **TOUCH-PAD COMPUTER CARRYING CASE**

(76) Inventor: **Tahir Mahmood**, Manchester (GB)

(**) Term: **14 Years**

(21) Appl. No.: **29/426,969**

(22) Filed: **Jul. 12, 2012**

(51) **LOC (10) Cl.** **14-02**

(52) **U.S. Cl.**
USPC **D14/440**

(58) **Field of Classification Search**

USPC D14/250, 251, 253, 240, 217, 496, 440,
D14/203.3, 203.4, 203.5, 203.8, 341, 318;
D3/218, 215, 201, 294, 289, 900;
220/4.02; 248/309.1; 361/679.56;
379/426, 433.11, 455; 455/575.1,
455/575.8; 190/100; 206/305, 320;
D21/469

See application file for complete search history.

(56) **References Cited**

U.S. PATENT DOCUMENTS

D230,376 S * 2/1974 Andrew D19/91
5,375,076 A * 12/1994 Goodrich et al. 361/679.17

(Continued)

Primary Examiner — Cynthia Underwood

(74) *Attorney, Agent, or Firm* — Fox Rothschild LLP

(57) **CLAIM**

The ornamental design for a touch-pad computer carrying case, as shown and described.

DESCRIPTION

FIG. 1 is a front, right side isometric view of a touch-pad computer carrying case with its cover flap in a closed position, for use with, by way of non-limiting example, an iPad.

FIG. 2 is a front elevation view of the touch-pad computer carrying case with the cover flap folded over the top surface to a closed position.

FIG. 3 is a rear elevation view of the touch-pad computer carrying case with the cover flap in a closed position.

FIG. 4 is a right side elevation view of the touch-pad computer carrying case with the cover flap in a closed position.

FIG. 5 is a top plan view of the touch-pad computer carrying case with the cover flap in a closed position.

FIG. 6 is a bottom plan view of the touch-pad computer carrying case with the cover flap in a closed position.

FIG. 7 is a front elevation view of the touch-pad computer carrying case with the cover flap flipped along the top surface to an open position with a portion of the top surface, which is covered when the cover flap is in the closed position, exposed.

FIG. 8 is a rear elevation view of the touch-pad computer carrying case with the cover flap in an open, flat position.

FIG. 9 is a front, left side isometric view of the touch-pad computer carrying case with the cover flap in an open, stand position and the carrying case supported along its top surface.

FIG. 10 is a right side elevation view of the touch-pad computer carrying case with the cover flap in an open, stand position and the carrying case supported along its top surface.

FIG. 11 is a left side elevation view of the touch-pad computer carrying case with the cover flap in an open, stand position and the carrying case supported along its top surface.

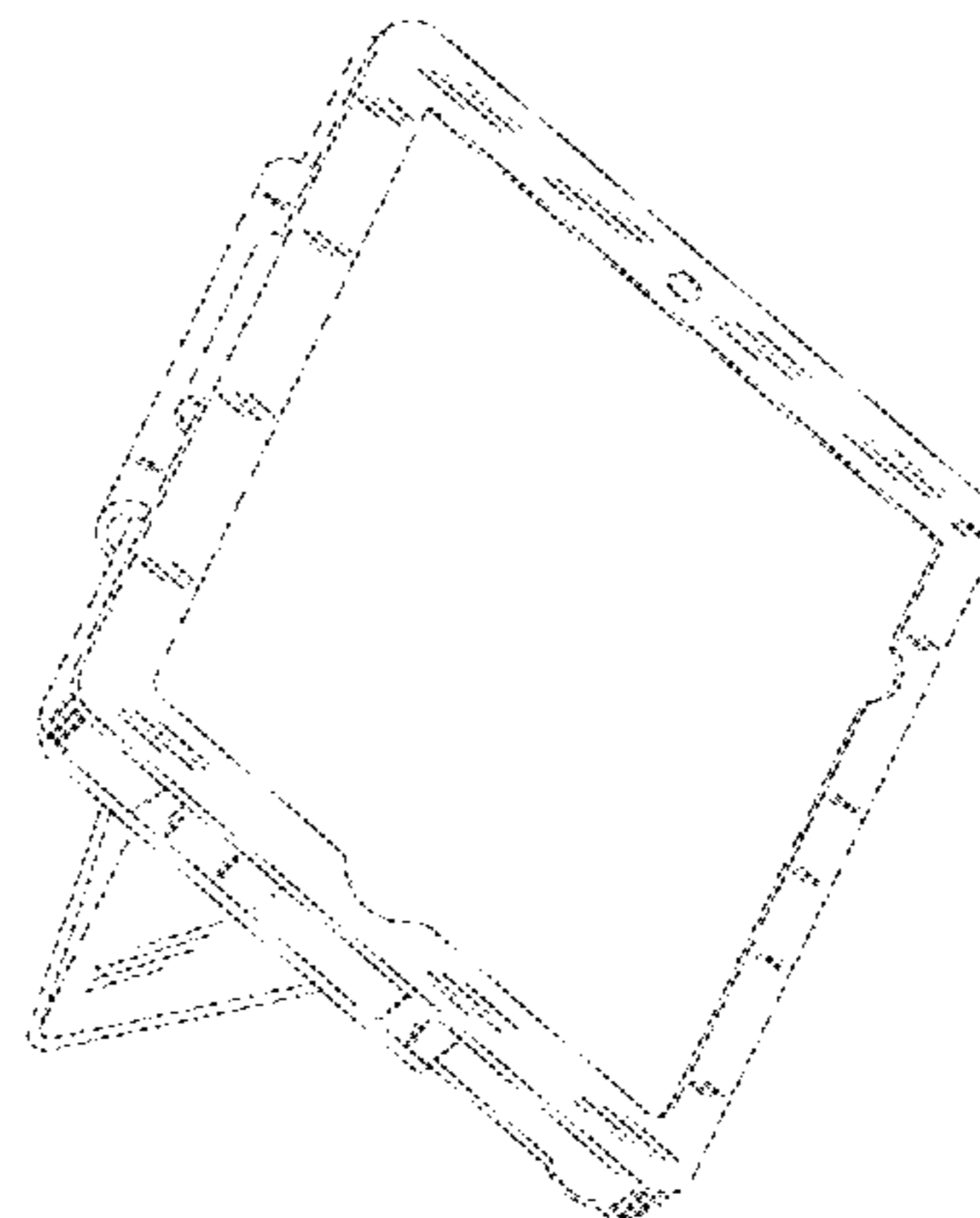
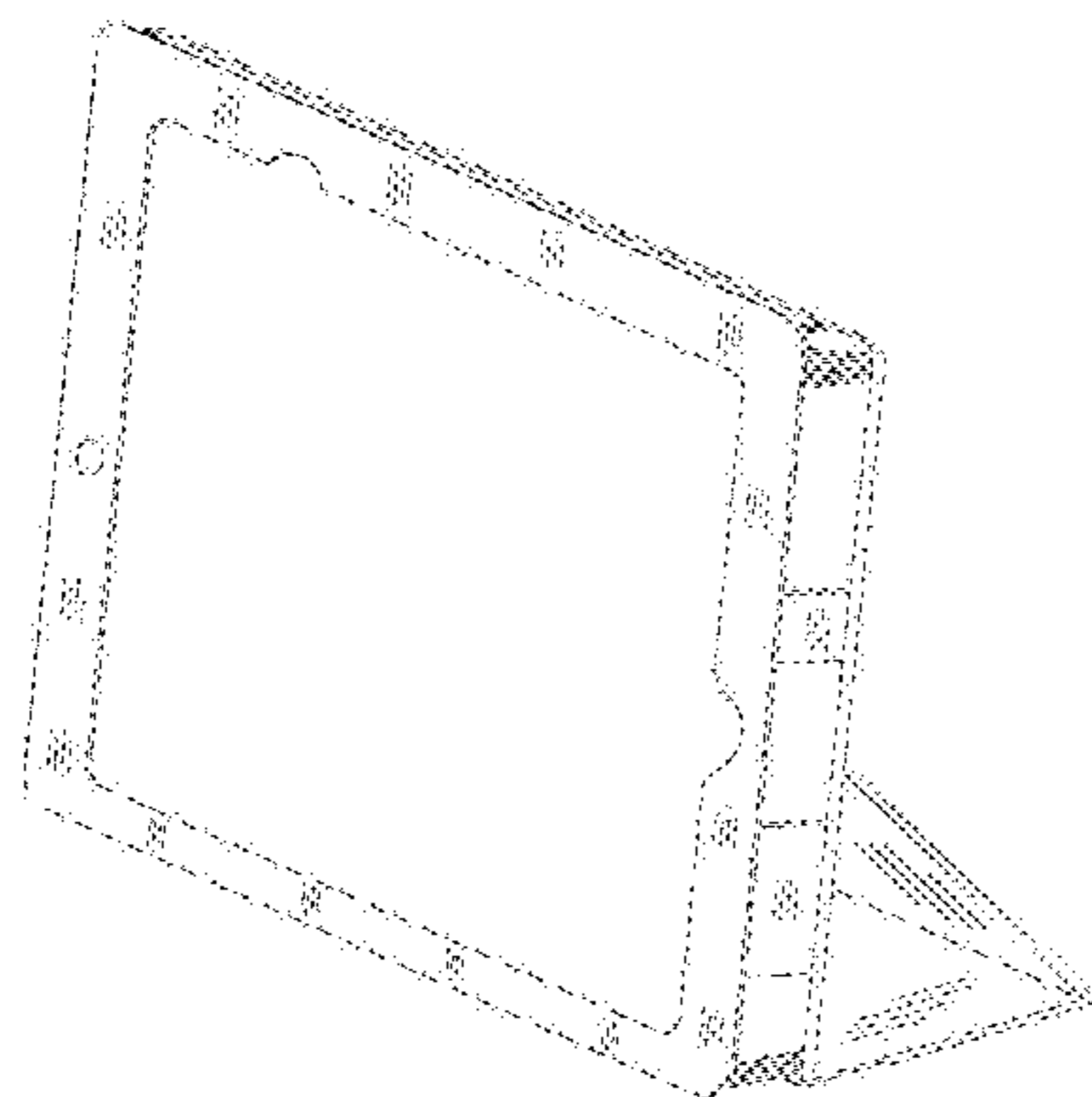
FIG. 12 is a right side elevation view of the touch-pad computer carrying case with the cover flap in an open, stand position and the carrying case supported on the edge of a surface.

FIG. 13 is a front, left side isometric view of the touch-pad computer carrying case with the cover flap in an open, stand position with a portion of the top surface, which is covered when the cover flap is in the closed position, exposed and the carrying case supported along its bottom surface; and,

FIG. 14 is a rear, top isometric view of the touch-pad computer carrying case with the cover flap in an open, stand position and the carrying case supported along its left side surface.

In the drawings, the broken lines are shown for illustrative purposes only and form no portion of the claimed design with the broken lines in FIG. 12 illustrating a representative table upon which the touch-pad computer carrying case is positioned.

1 Claim, 13 Drawing Sheets



(56)

References Cited

U.S. PATENT DOCUMENTS

D356,120 S * 3/1995 Allen D21/335
 5,480,118 A * 1/1996 Cross 248/459
 6,772,879 B1 * 8/2004 Domotor 206/45.23
 D513,008 S * 12/2005 Takizawa et al. D14/447
 D600,699 S * 9/2009 Johnston et al. D14/440
 D628,197 S * 11/2010 Li D14/324
 D637,814 S * 5/2011 Akana et al. D3/303
 D658,186 S * 4/2012 Akana et al. D14/440
 D658,187 S * 4/2012 Diebel D14/440
 D658,188 S * 4/2012 Diebel D14/440

D663,304 S * 7/2012 Akana et al. D14/440
 D665,812 S * 8/2012 Huang et al. D14/447
 D669,480 S * 10/2012 Piedra et al. D14/440
 D672,353 S * 12/2012 Liu D14/440
 D672,781 S * 12/2012 Lu D14/440
 D678,292 S * 3/2013 Phillips et al. D14/440
 D679,279 S * 4/2013 Yang et al. D14/440
 D679,685 S * 4/2013 Cox D14/250
 D682,836 S * 5/2013 Akana et al. D14/440
 2010/0294683 A1 * 11/2010 Mish et al. 206/320
 2010/0294909 A1 * 11/2010 Hauser et al. 248/456
 2012/0037523 A1 * 2/2012 Diebel et al. 206/320
 2012/0194448 A1 * 8/2012 Rothkopf 345/173

* cited by examiner

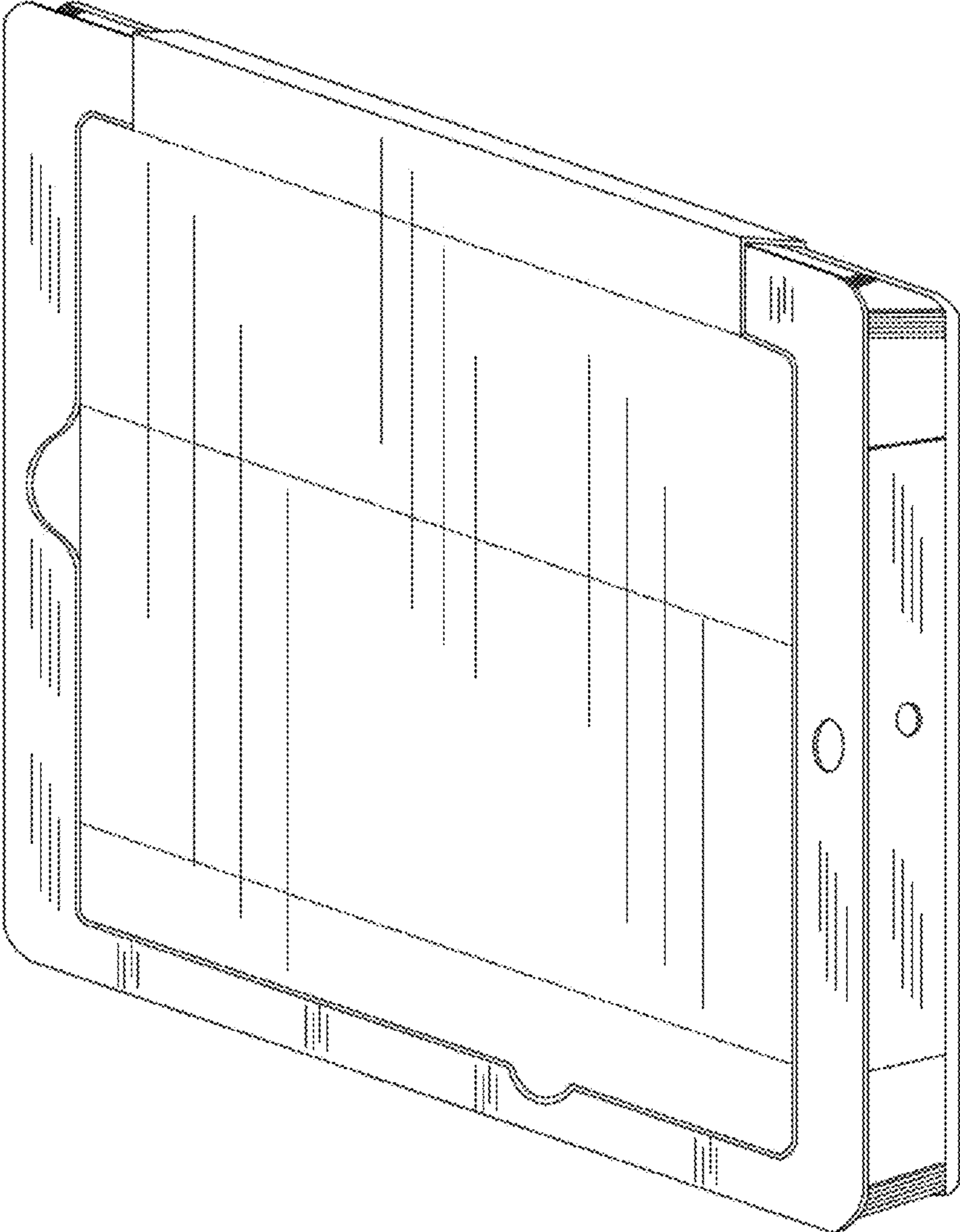


Fig. 1

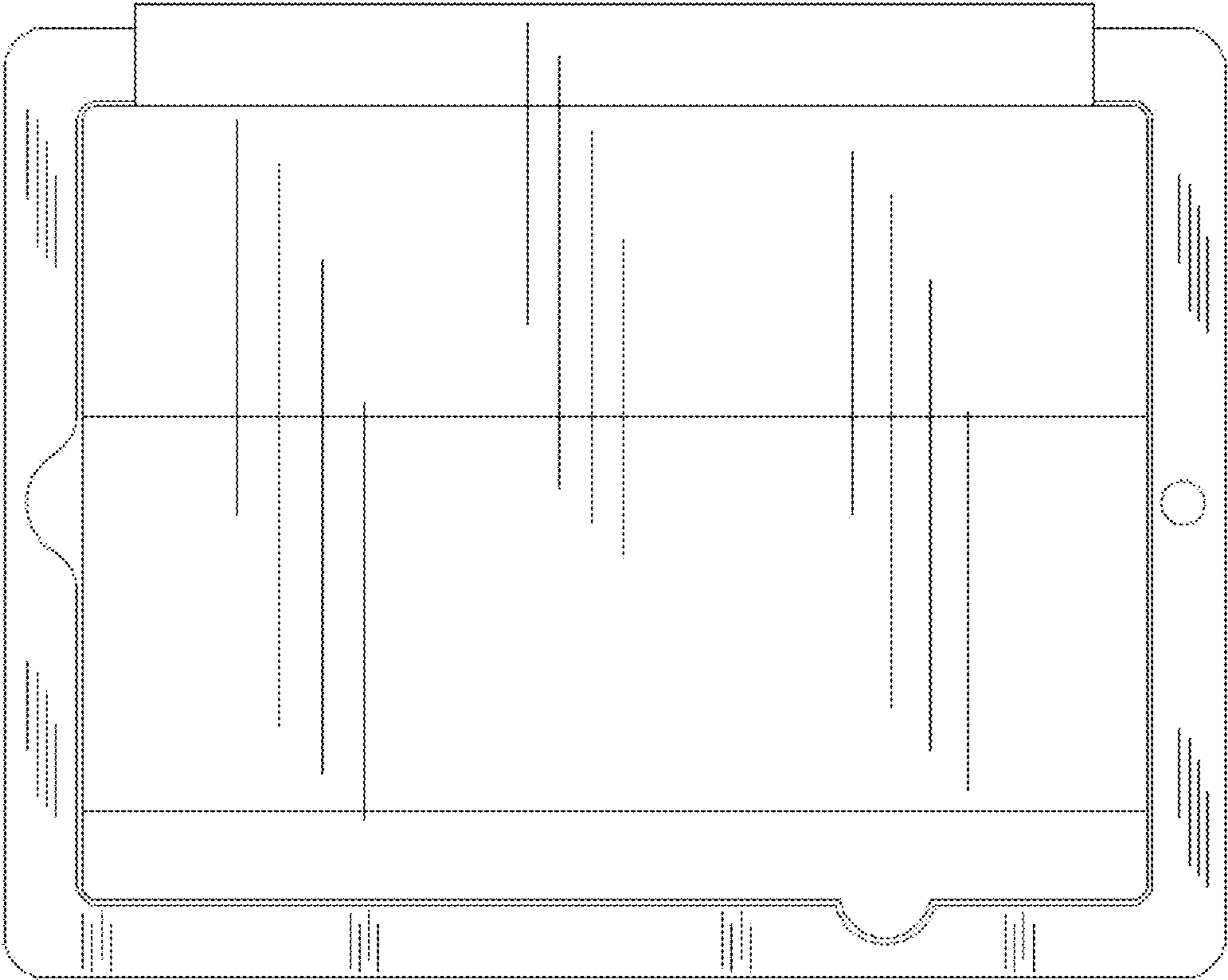


Fig. 2

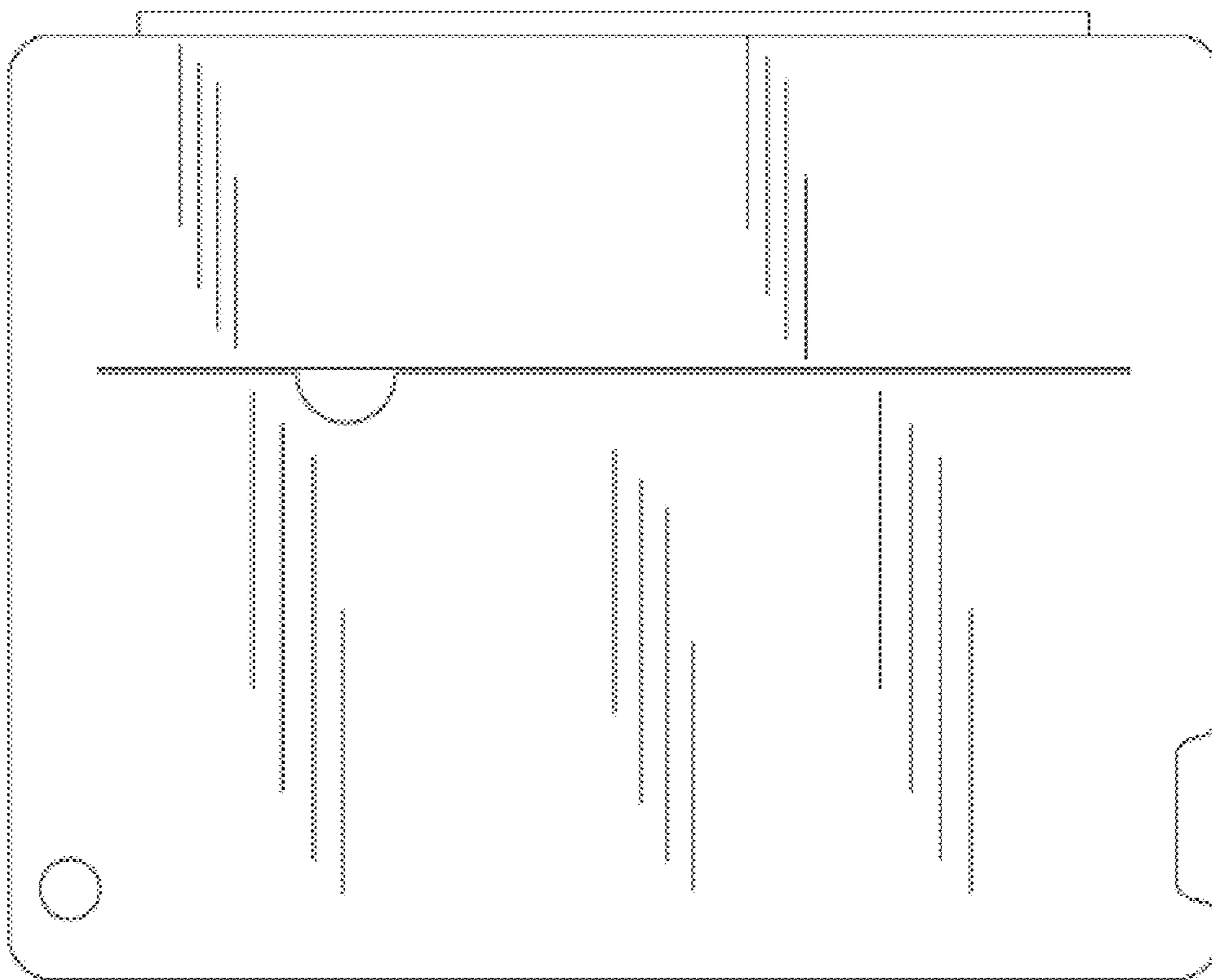


Fig. 3

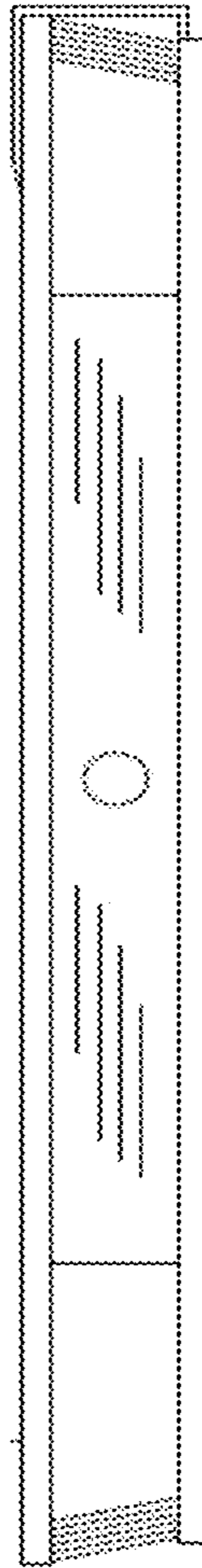


Fig. 4



Fig. 5

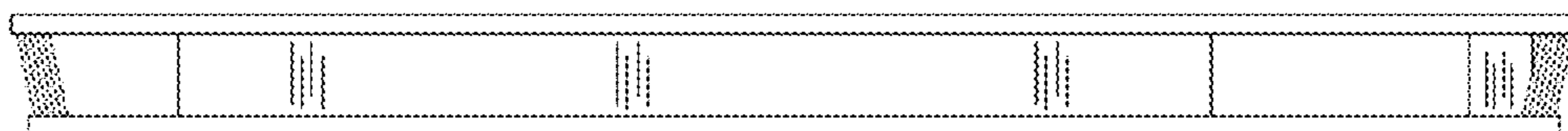


Fig. 6

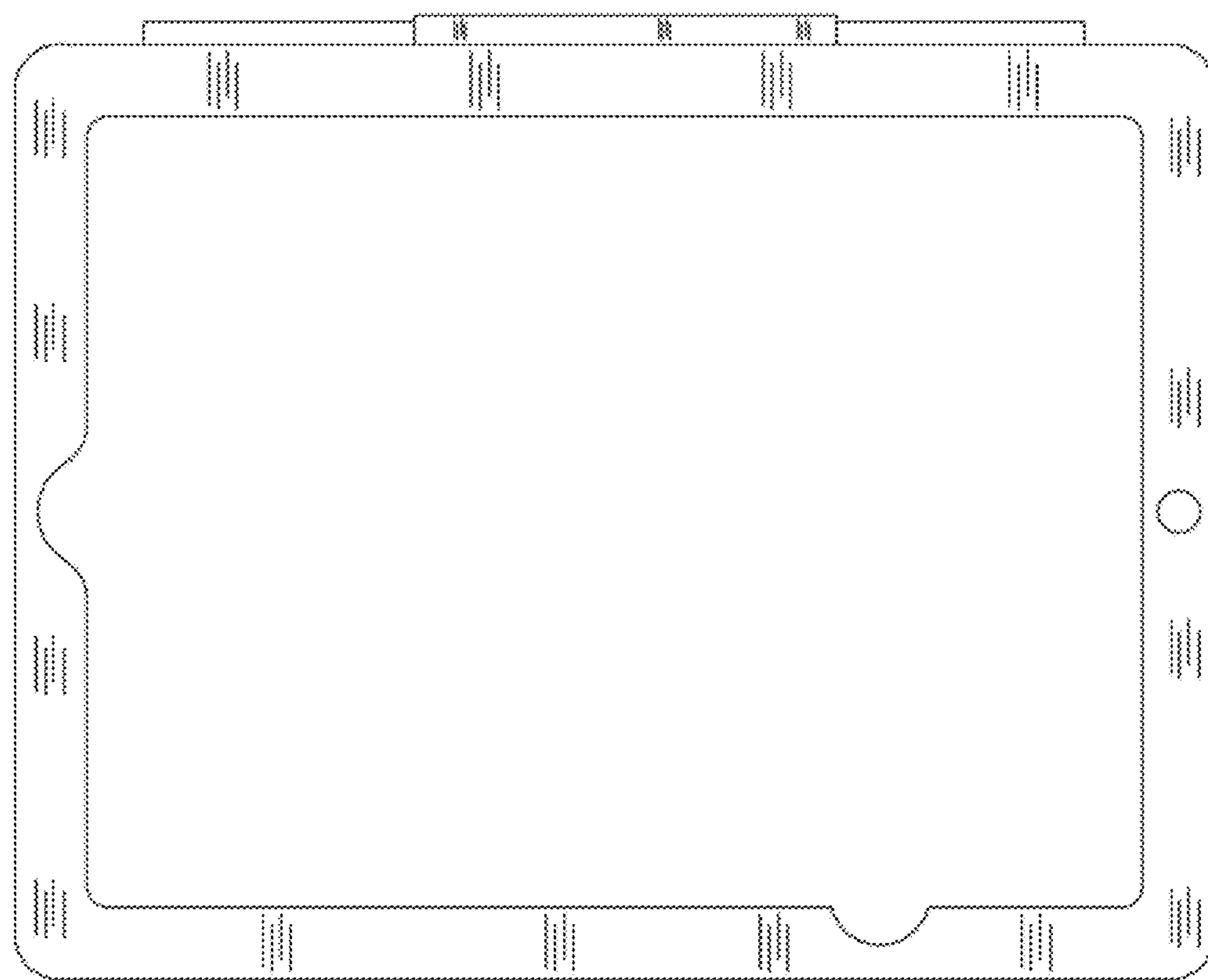


Fig. 7

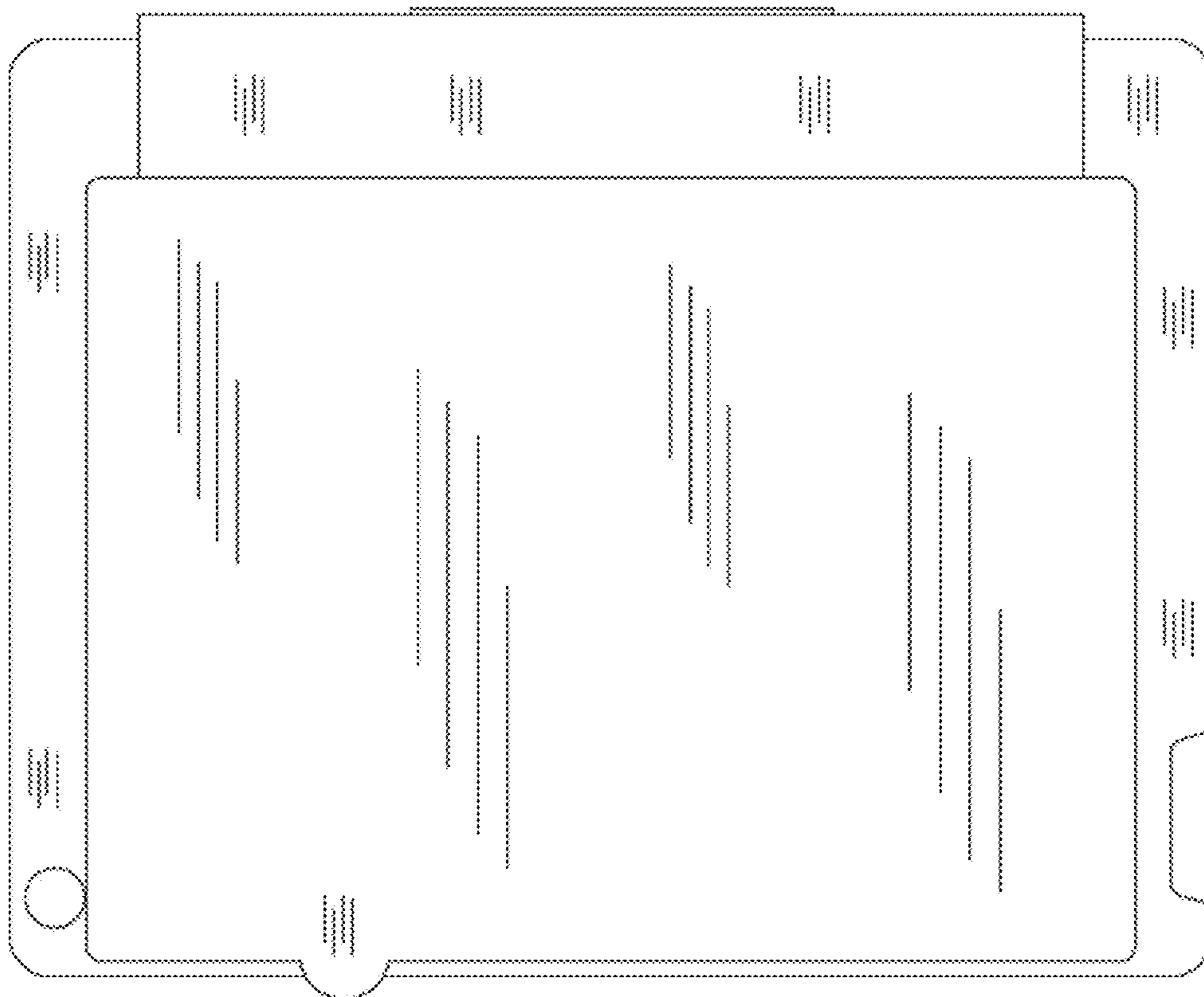


Fig. 8

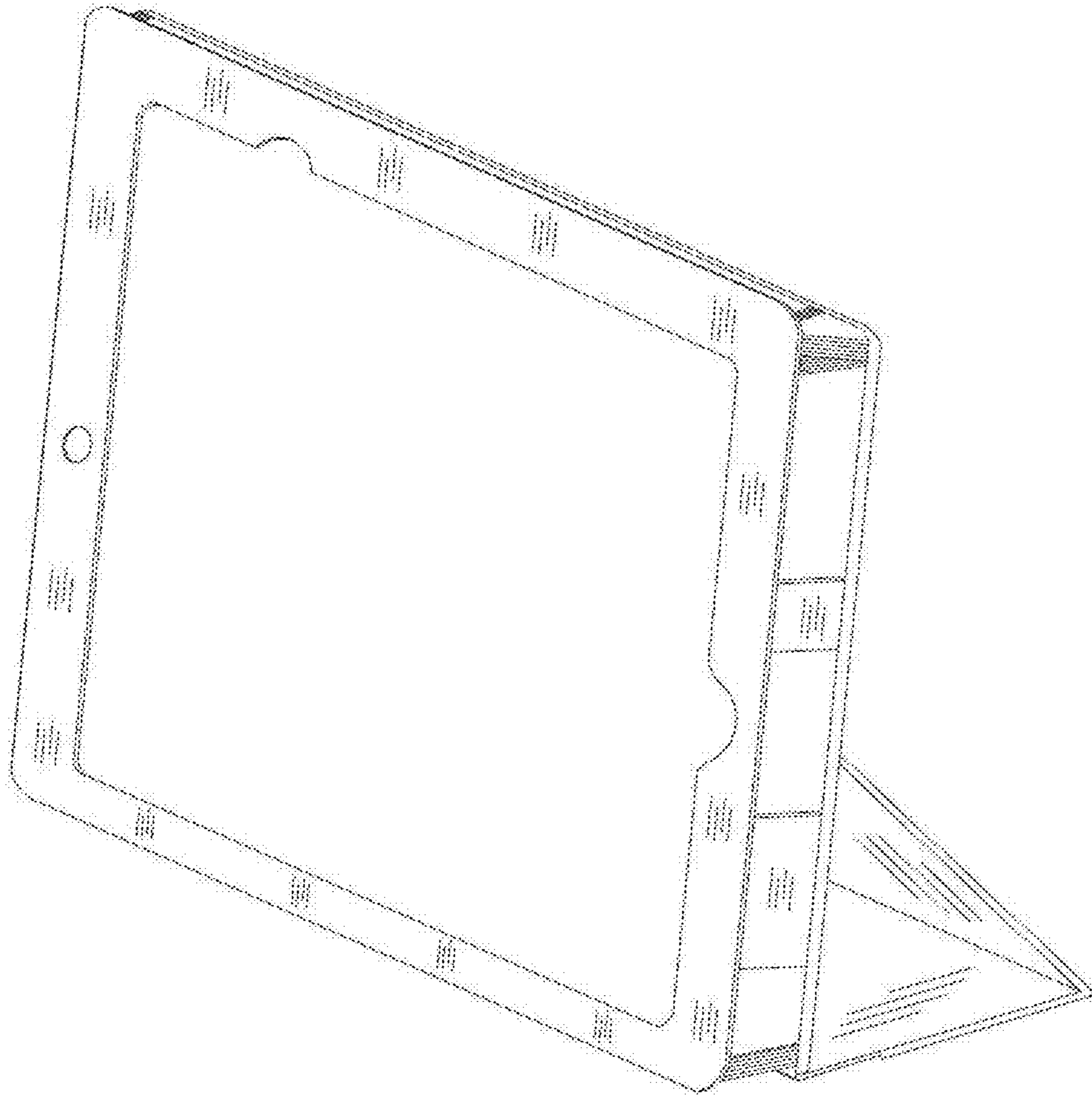


Fig. 9

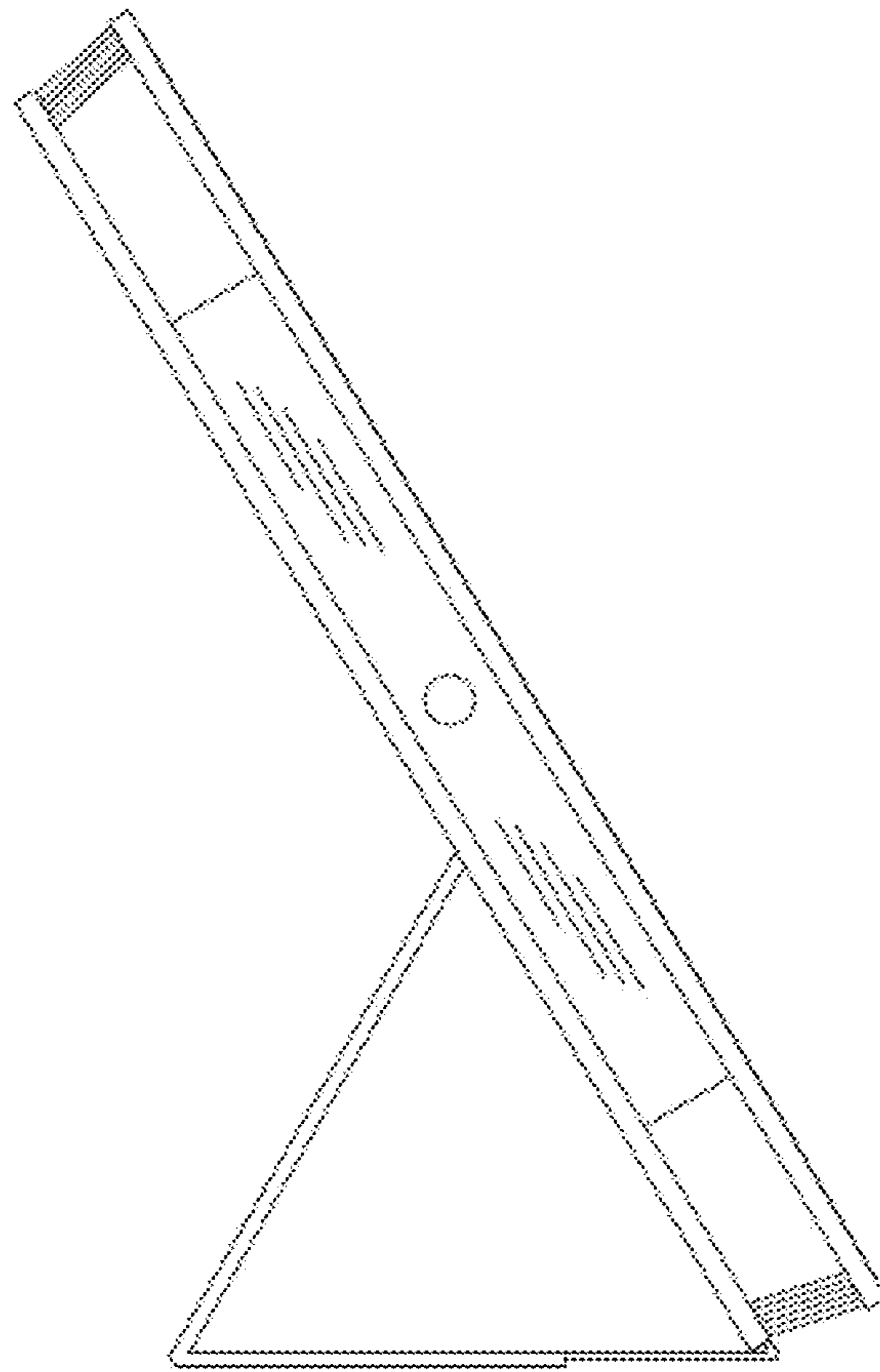


Fig. 10

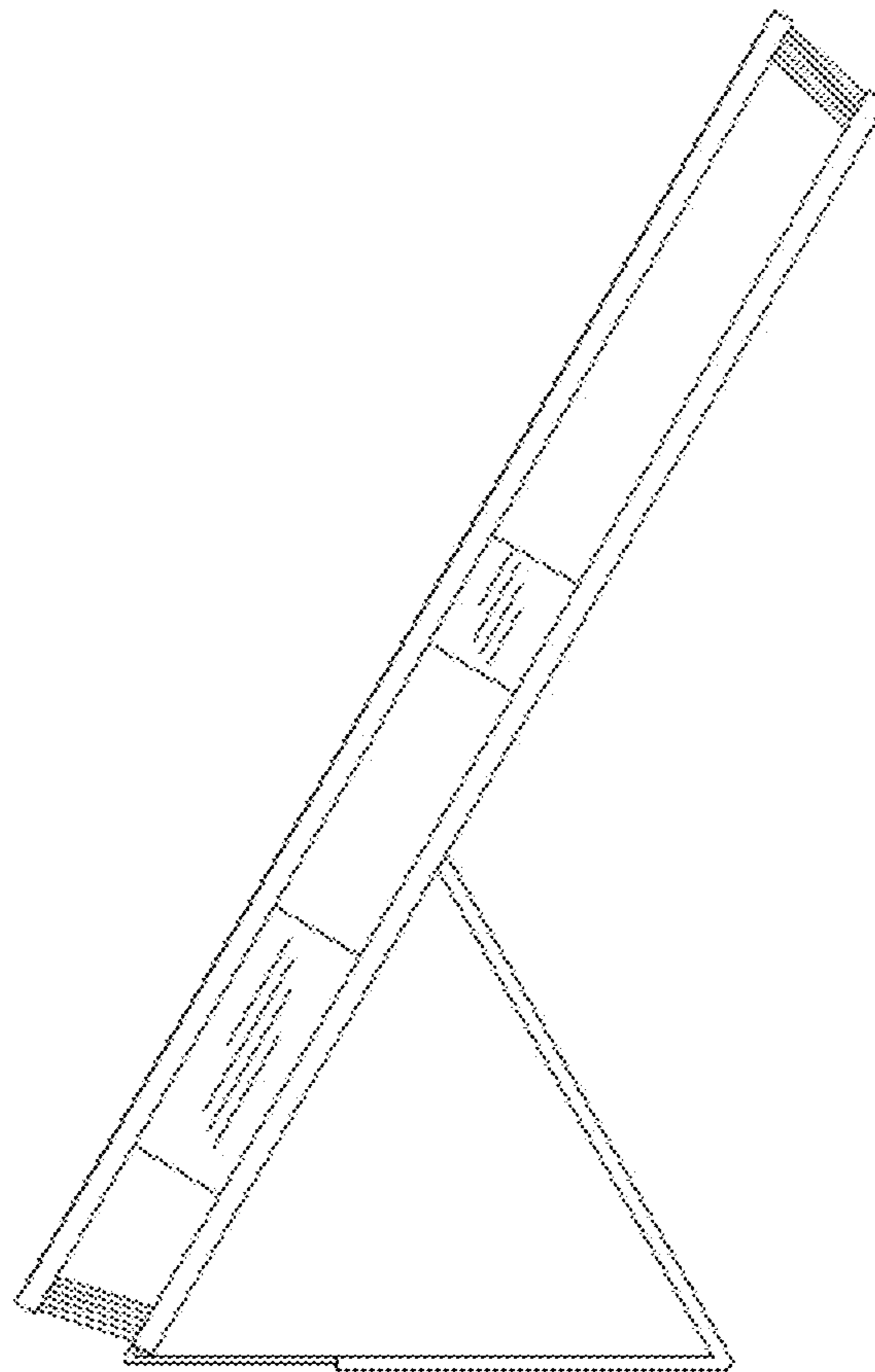


Fig. 11

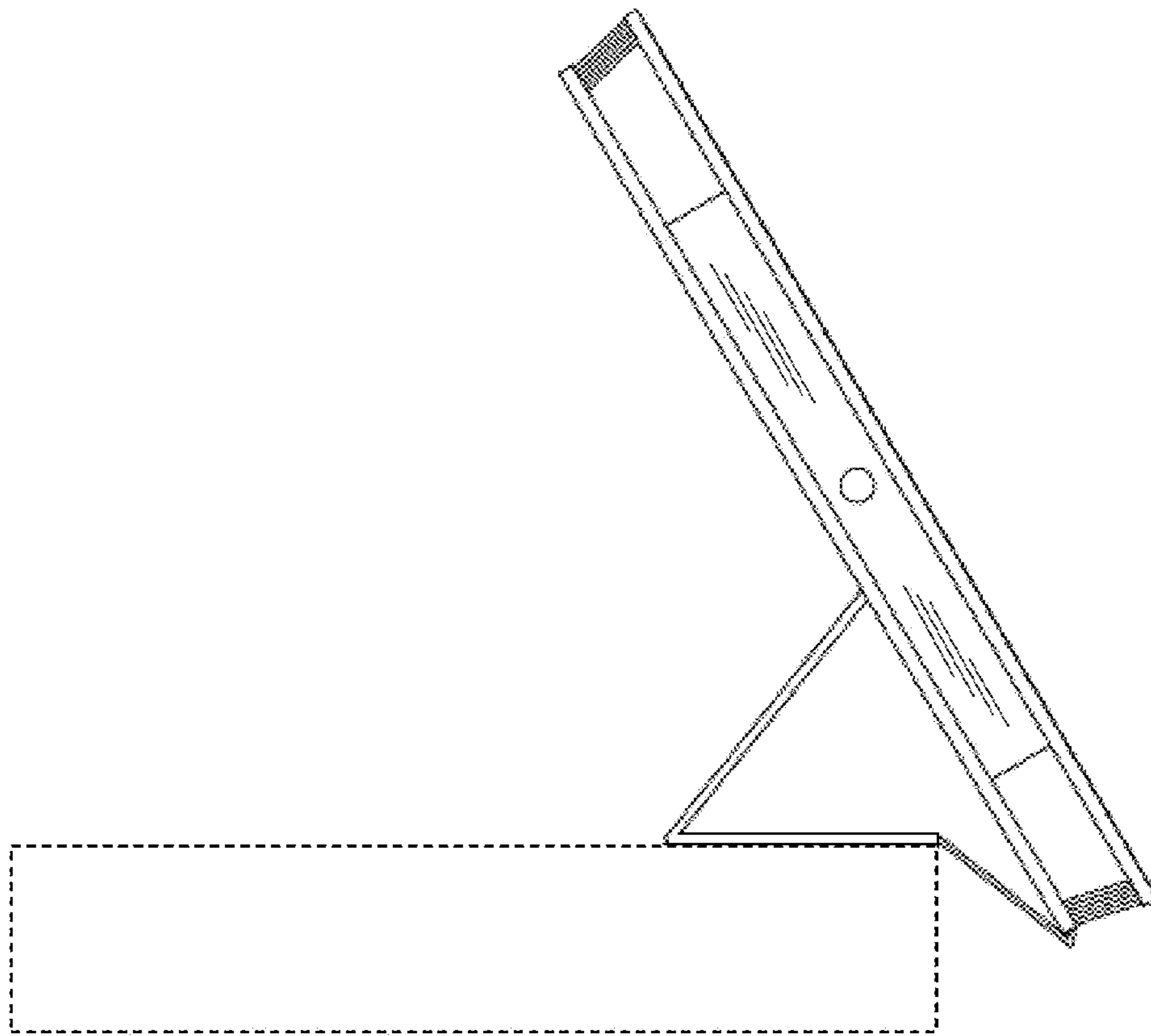


Fig. 12

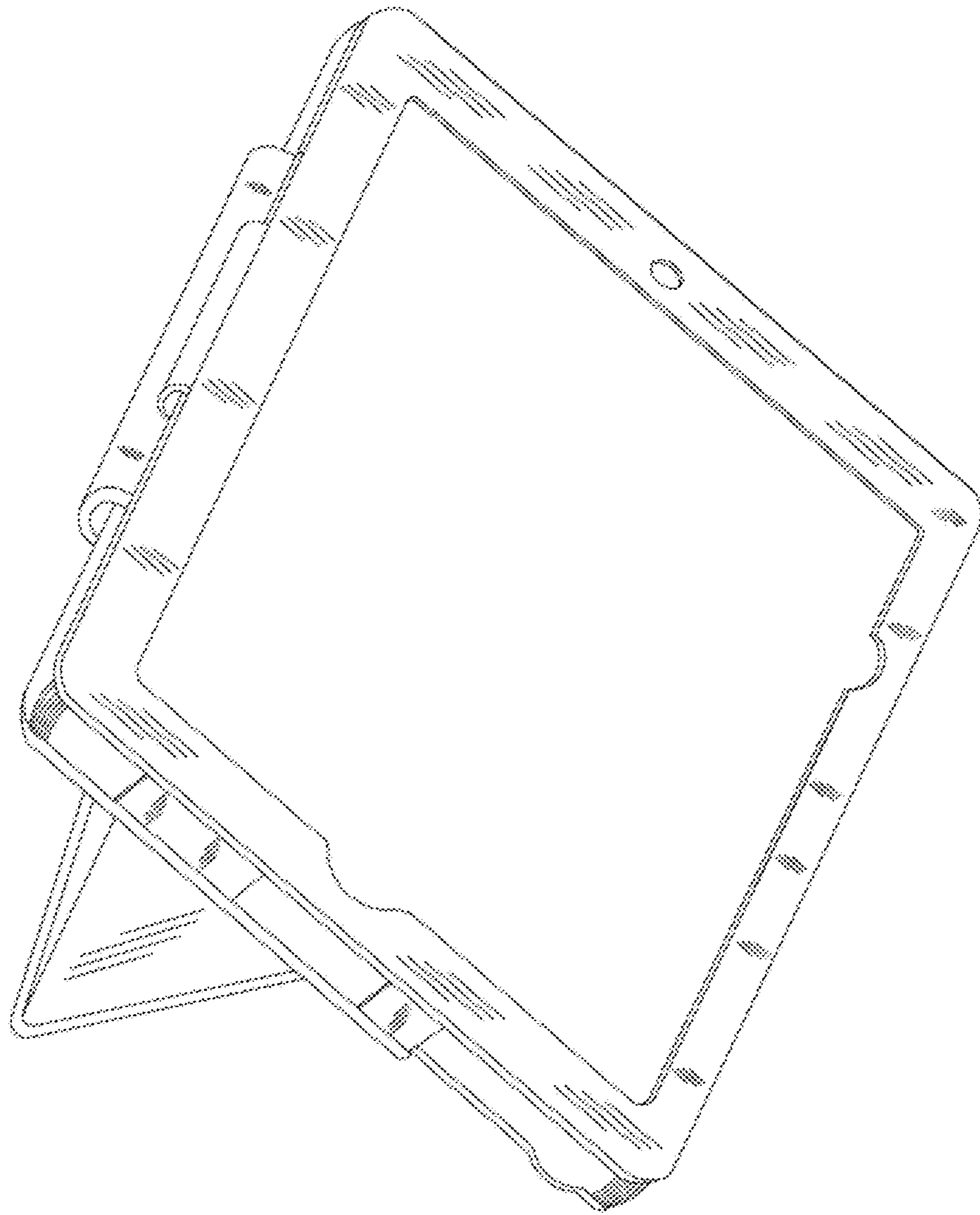


Fig. 13

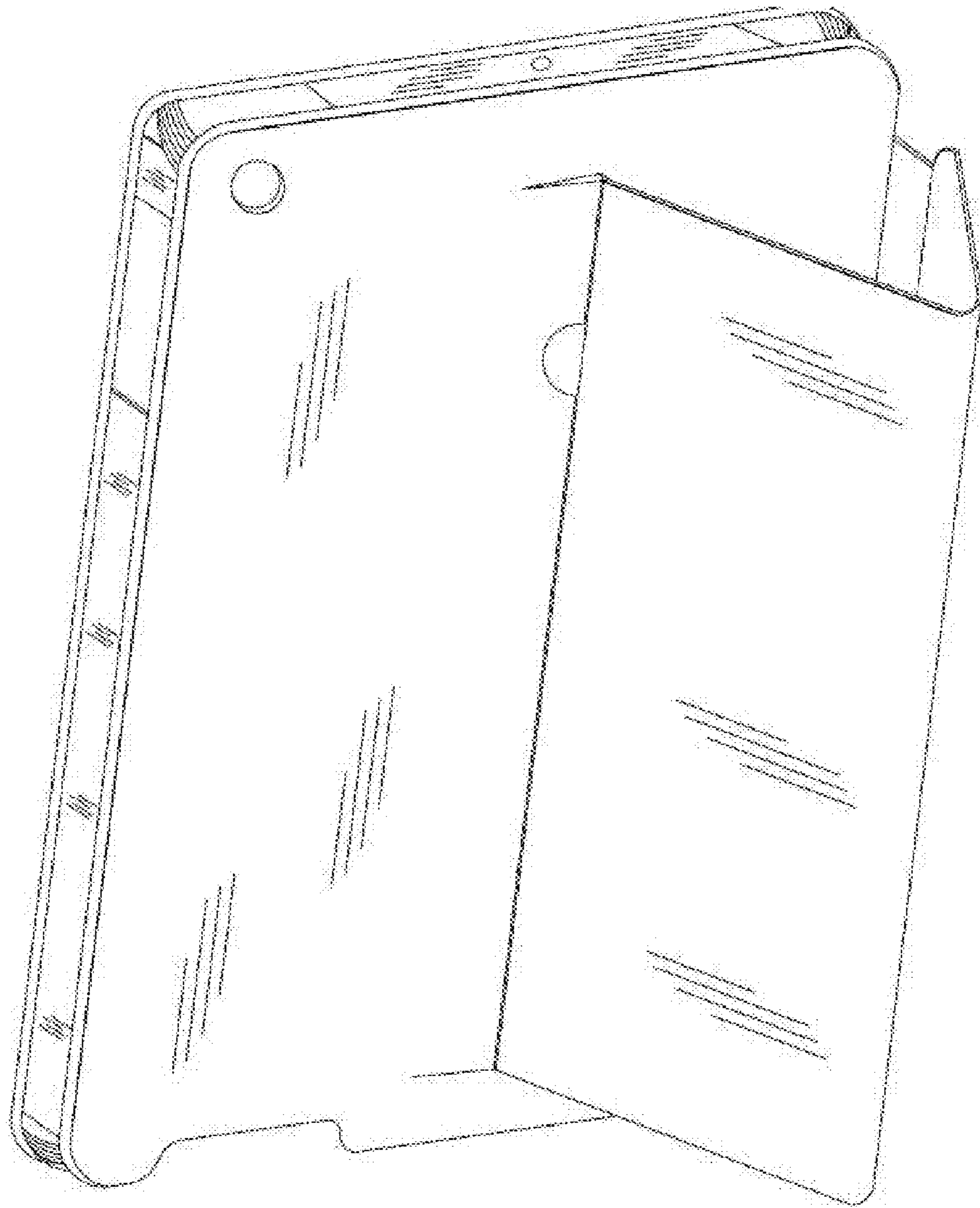


Fig. 14