



US00D726729S

(12) **United States Design Patent**
Lim

(10) **Patent No.:** **US D726,729 S**

(45) **Date of Patent:** **** Apr. 14, 2015**

(54) **DOCKING STATION WITH A TRANSPARENT STAND ON THE FRONT**

(71) Applicant: **Woo-Teik Lim**, Seoul (KR)

(72) Inventor: **Woo-Teik Lim**, Seoul (KR)

(73) Assignee: **Samsung Electronics Co., Ltd.**,
Suwon-si, Gyeonggi-do (KR)

(**) Term: **14 Years**

(21) Appl. No.: **29/450,438**

(22) Filed: **Mar. 18, 2013**

(30) **Foreign Application Priority Data**

Nov. 16, 2012 (KR) 30-2012-0054809

(51) **LOC (10) CL.** **14-02**

(52) **U.S. CL.**
USPC **D14/434**

(58) **Field of Classification Search**
USPC D14/447, 432, 433, 434, 439, 440, 448,
D14/451, 253, 238.1; D13/107-110,
D13/118-119, 184; 320/107, 108, 109-115
See application file for complete search history.

(56) **References Cited**

U.S. PATENT DOCUMENTS

D642,520 S * 8/2011 Chun et al. D13/108
D647,520 S * 10/2011 Wikel D14/253

D671,949 S * 12/2012 Jeon et al. D14/447
D672,355 S * 12/2012 Lee et al. D14/447
D685,322 S * 7/2013 Szymanski et al. D13/108
D710,861 S * 8/2014 Yagi D14/447
D712,350 S * 9/2014 Smith et al. D13/108

* cited by examiner

Primary Examiner — Stella Reid

Assistant Examiner — Harold Blackwell, II

(74) *Attorney, Agent, or Firm* — Flynn, Thiel, Boutell & Tanis, P.C.

(57) **CLAIM**

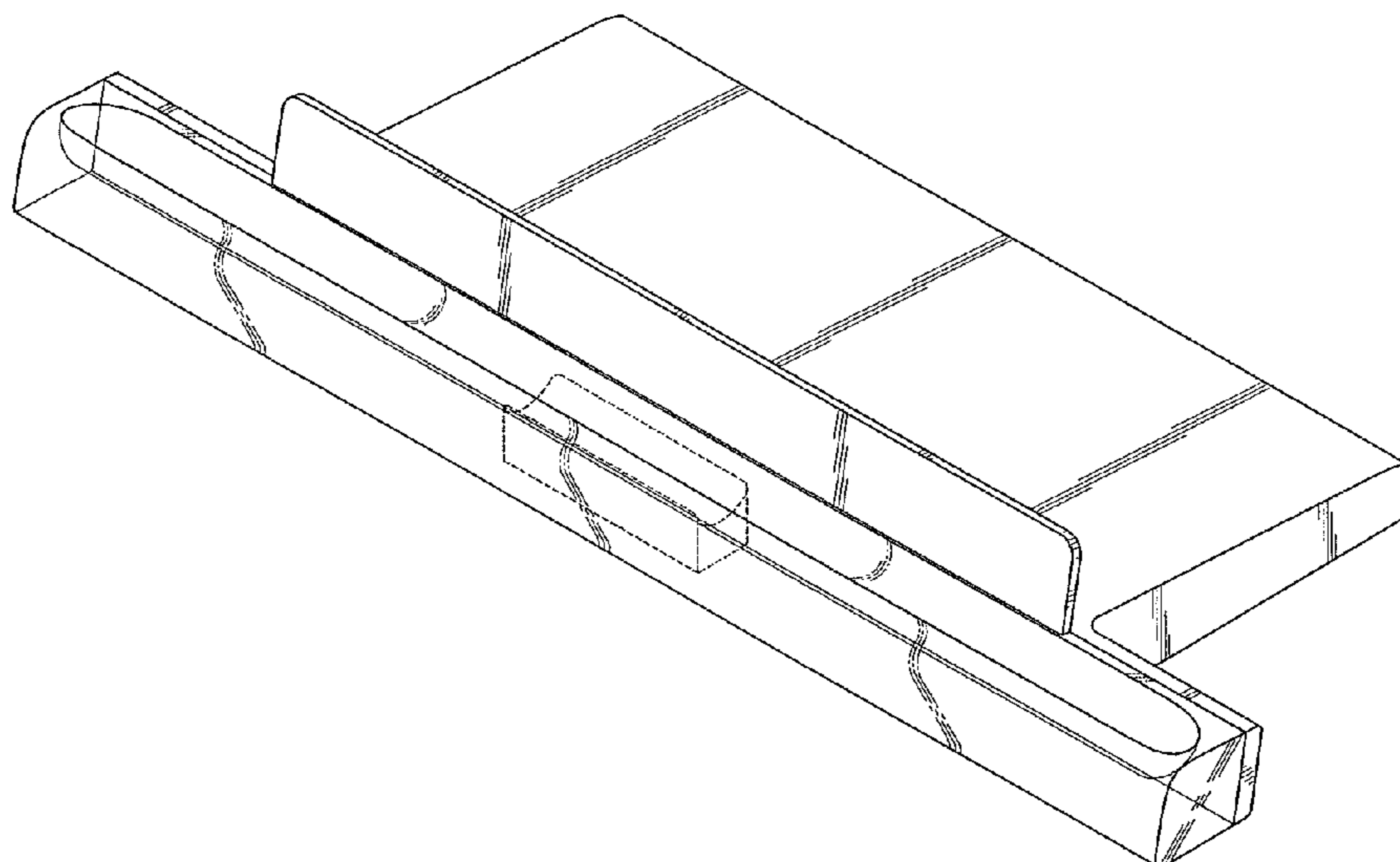
The ornamental design for a docking station with a transparent stand on the front, as shown and described.

DESCRIPTION

FIG. 1 is a top front perspective view of a docking station with a transparent stand on the front showing my new design; FIG. 2 is a front elevational view thereof; FIG. 3 is a rear elevational view thereof; FIG. 4 is a left side elevational view thereof; FIG. 5 is a right side elevational view thereof; FIG. 6 is a top plan view thereof; FIG. 7 is a bottom plan view thereof; and, FIG. 8 is a right side view thereof showing that a tablet computer is docked on the stand of the present docking station.

The broken lines in the drawings illustrate portions of a docking station with a transparent stand on the front which form no part of the claimed design.

1 Claim, 4 Drawing Sheets



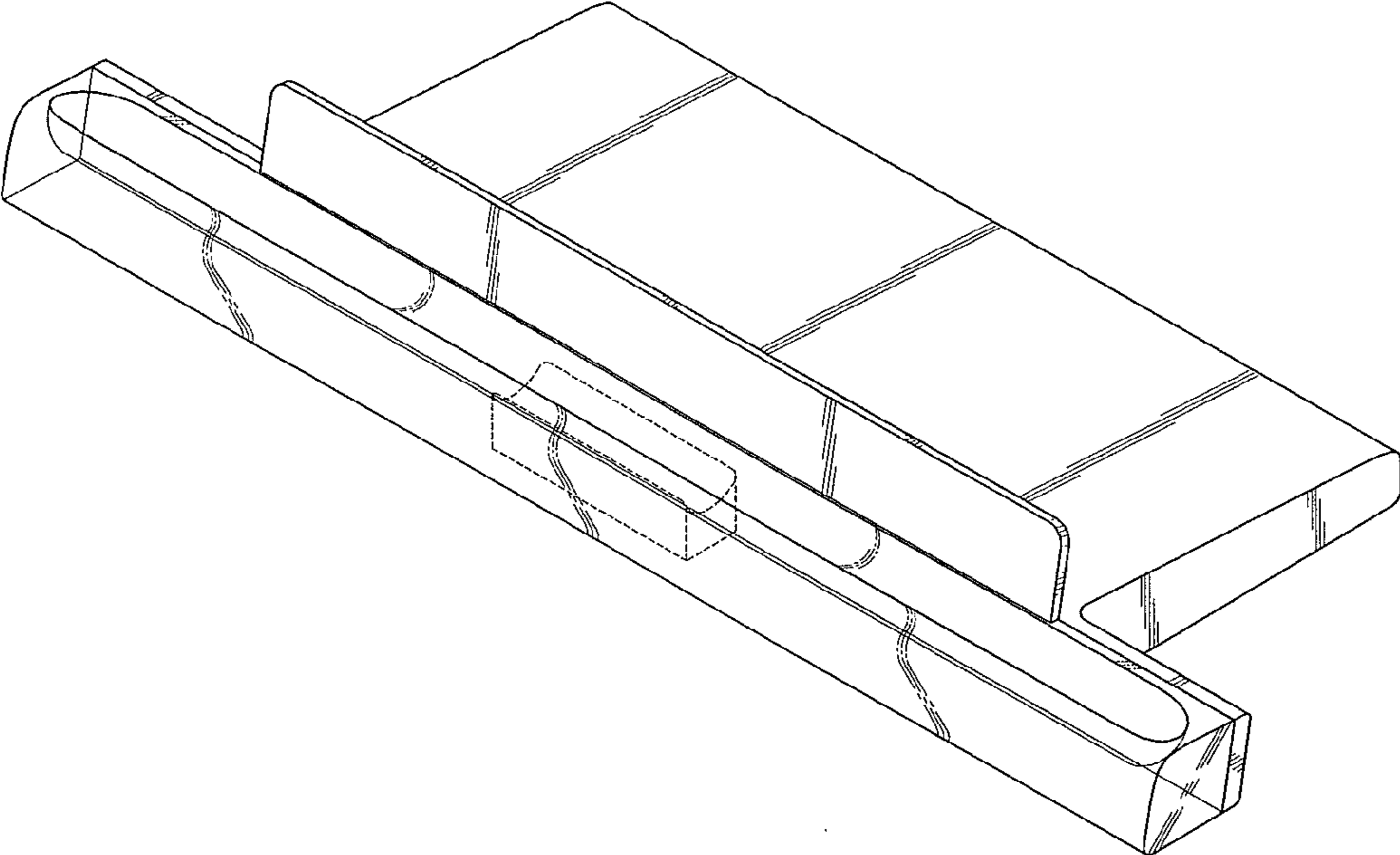


FIG.1

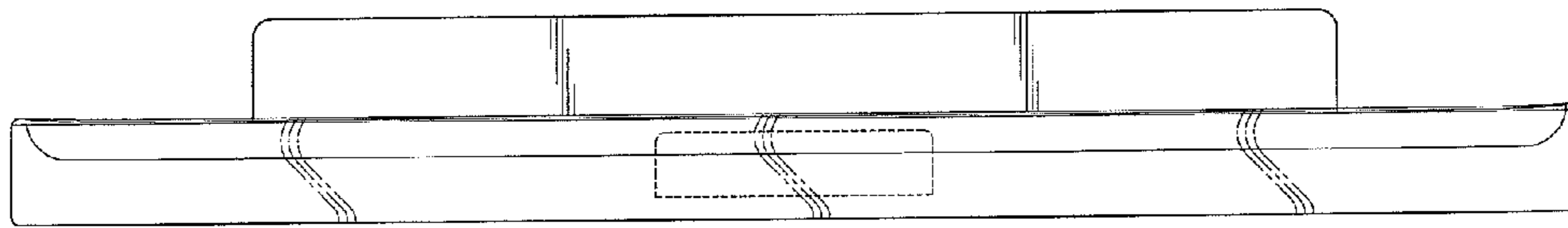


FIG.2

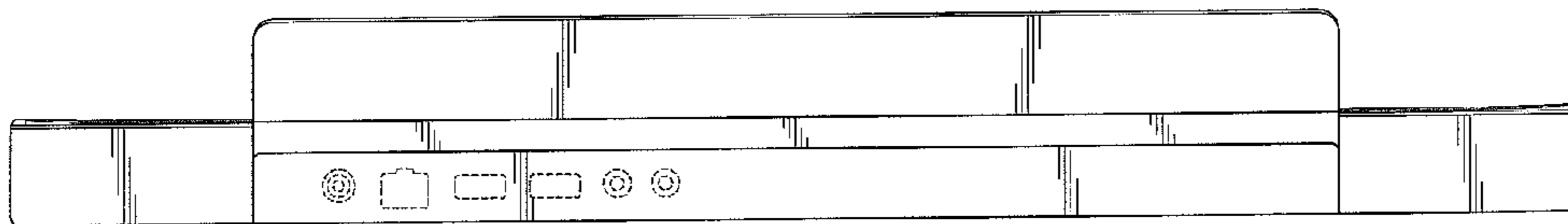


FIG.3

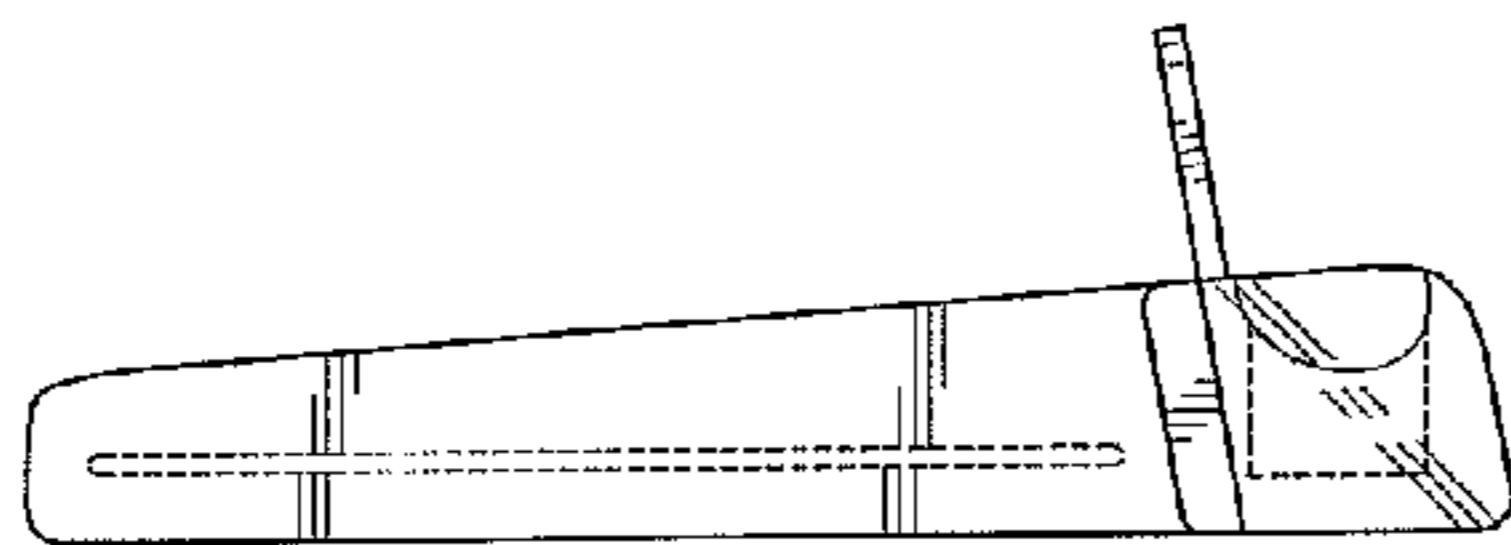


FIG.4

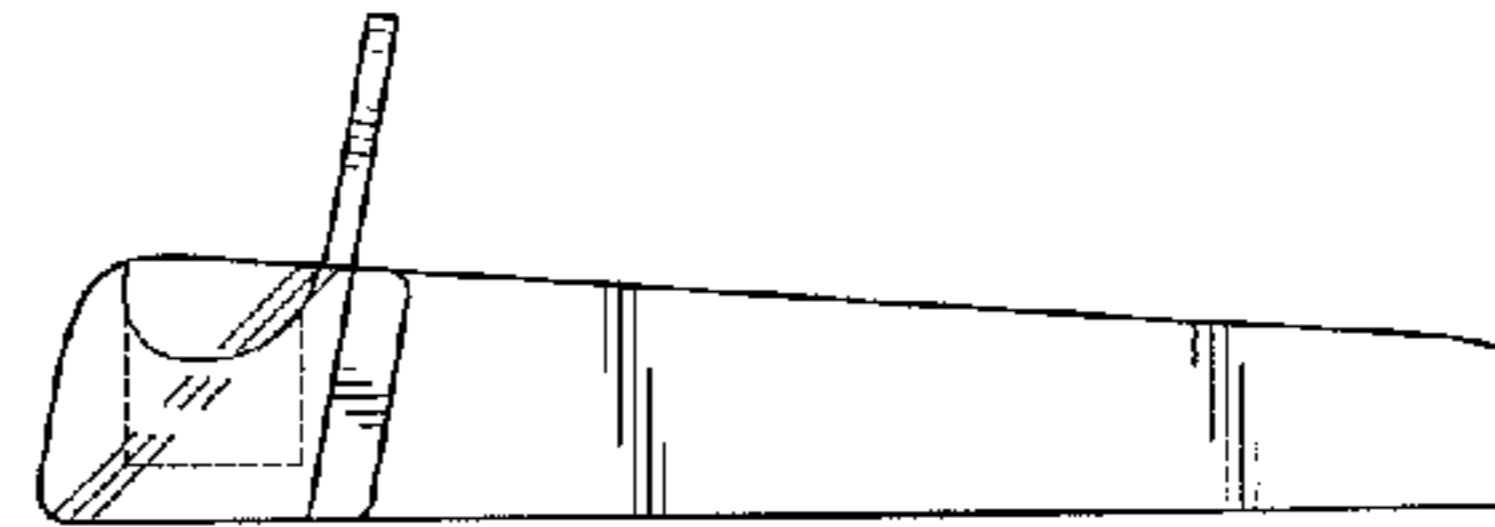


FIG.5

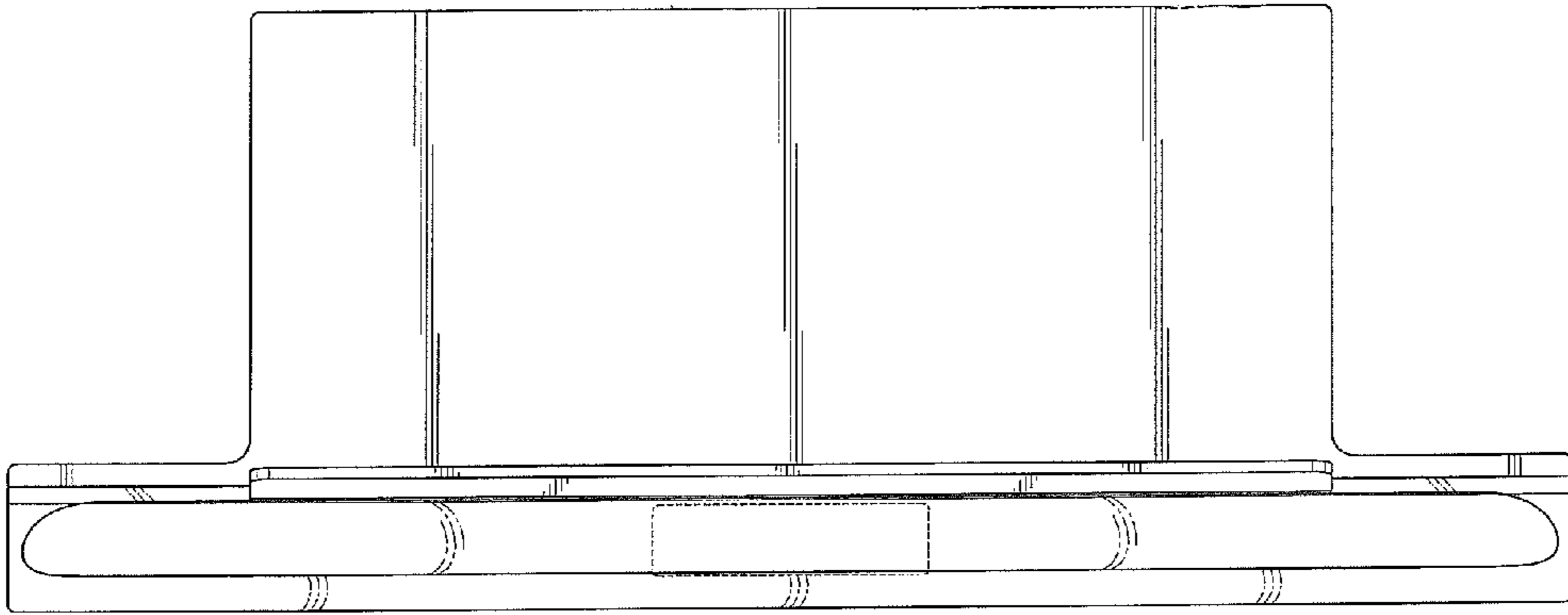


FIG.6

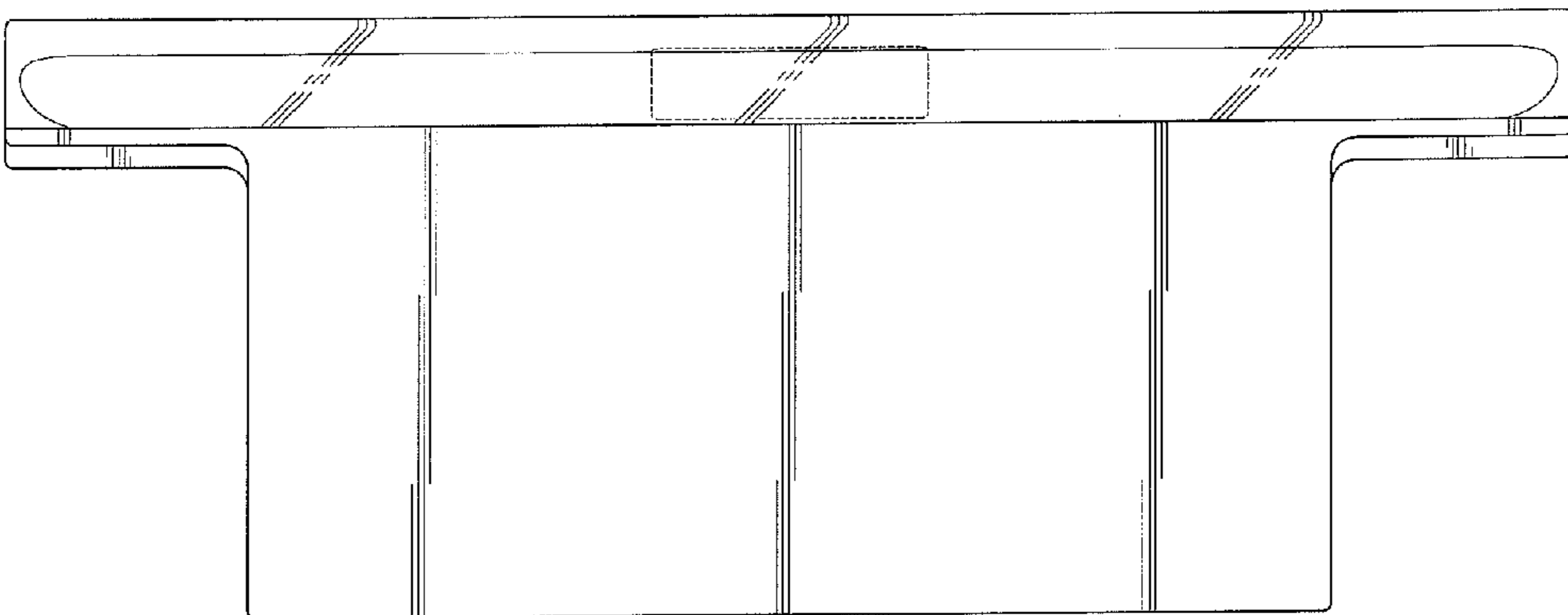


FIG.7

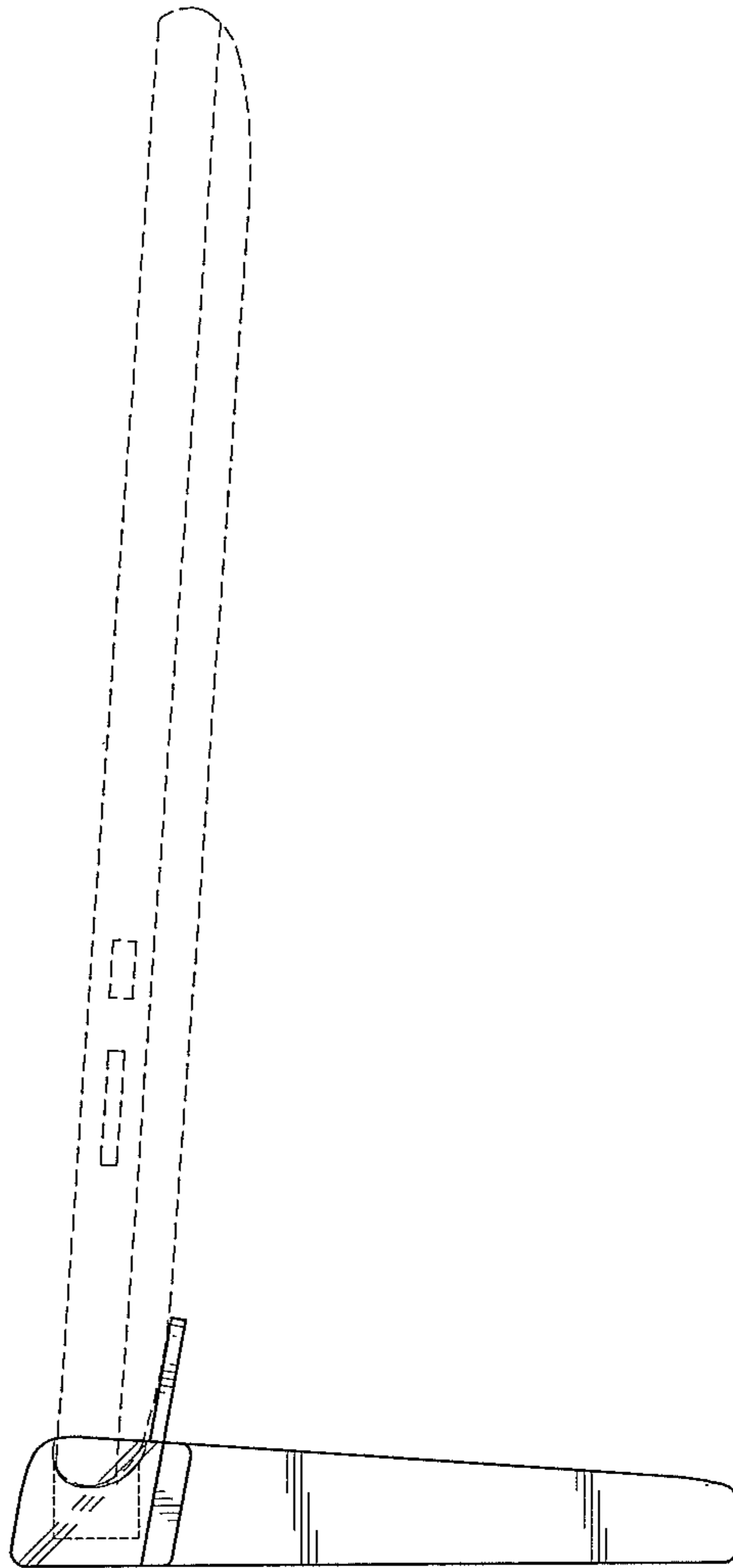


FIG.8