



US00D726726S

(12) **United States Design Patent**  
**Bellinghausen et al.**

(10) **Patent No.:** **US D726,726 S**  
(45) **Date of Patent:** **\*\* Apr. 14, 2015**

(54) **CONTROLLER**

(71) Applicant: **Valve Corporation**, Bellevue, WA (US)

(72) Inventors: **Jeffrey Bellinghausen**, Bellevue, WA (US); **Claire Michelle Gottschalk**, Bellevue, WA (US); **Eric Hope**, Duvall, WA (US); **Jeffrey Keyzer**, Redmond, WA (US); **Amy Narae Kim**, New York, NY (US)

(73) Assignee: **Valve Corporation**, Bellevue, WA (US)

(\*\*) Term: **14 Years**

(21) Appl. No.: **29/485,023**

(22) Filed: **Mar. 14, 2014**

(51) **LOC (10) Cl.** ..... **14-03**

(52) **U.S. Cl.**  
USPC ..... **D14/401; D21/333**

(58) **Field of Classification Search**  
CPC ..... A63F 13/02; A63F 9/24; A63F 13/12;  
A63F 9/00; A63F 11/00; A63F 71/00; G06F  
3/02; G06F 3/033; G09G 5/00  
USPC ..... D14/399-401, 412-418; D21/148 B;  
463/1, 29-39, 46, 47; 345/156-161,  
345/905

See application file for complete search history.

(56) **References Cited**

**U.S. PATENT DOCUMENTS**

D420,660 S \* 2/2000 Chen ..... D14/401

D478,590 S \* 8/2003 Hussaini et al. .... D14/401  
7,235,012 B2 \* 6/2007 DiDato ..... 463/38  
D585,931 S \* 2/2009 Palmer ..... D18/7  
7,762,553 B2 \* 7/2010 Harris ..... 273/148 B  
D620,939 S \* 8/2010 Suetake et al. .... D14/401  
D638,016 S \* 5/2011 Ikeda ..... D14/401  
8,205,220 B2 \* 6/2012 Kim et al. .... 720/648  
D685,434 S \* 7/2013 Ali et al. .... D21/333  
D694,830 S \* 12/2013 Crowley et al. .... D21/333  
8,628,085 B2 \* 1/2014 Sternberg ..... 273/148 B  
D700,182 S \* 2/2014 Kidakarn ..... D14/401

\* cited by examiner

*Primary Examiner* — Prabhakar Deshmukh

(74) *Attorney, Agent, or Firm* — Barceló, Harrison & Walker, LLP

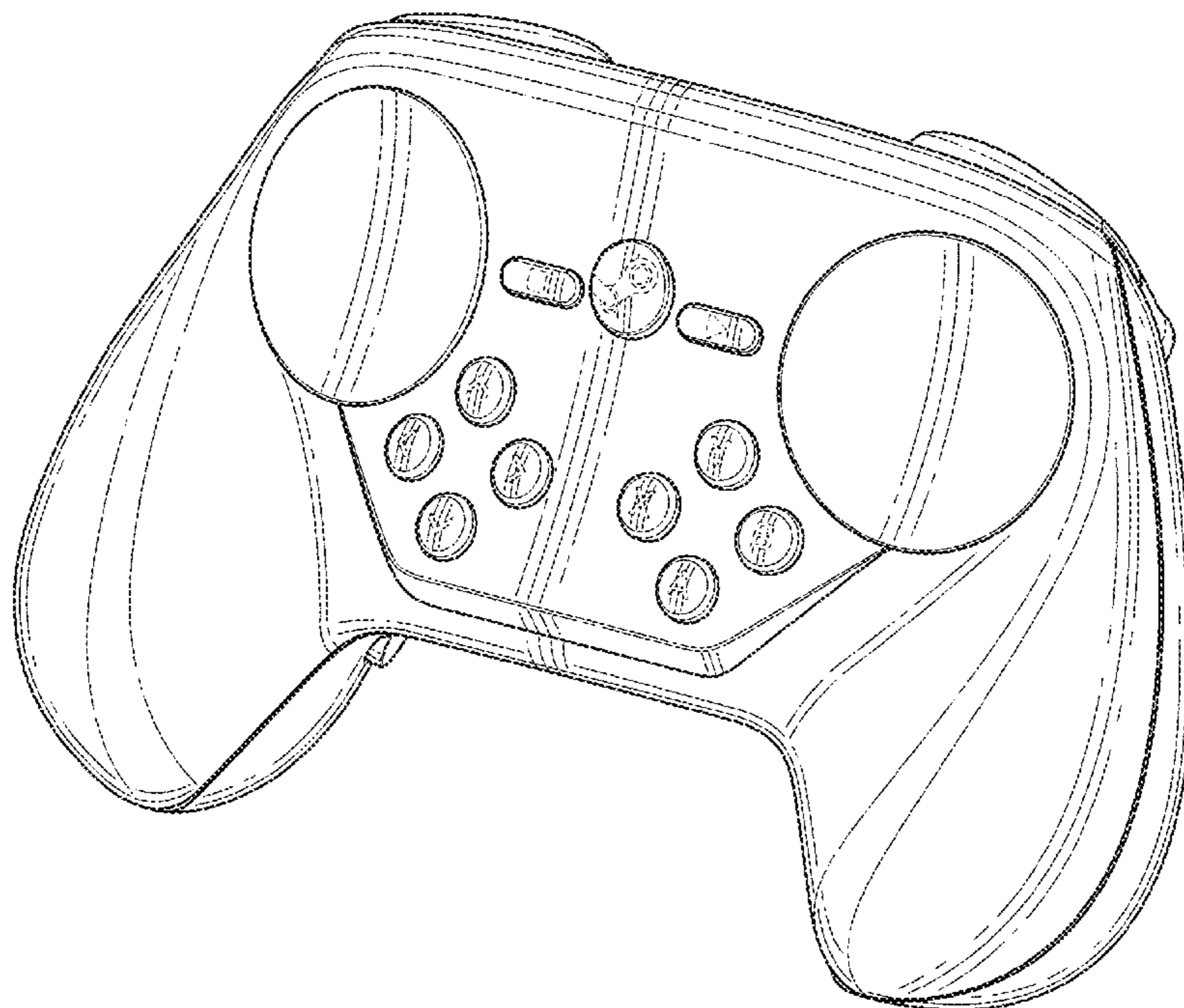
(57) **CLAIM**

The ornamental design for a controller, as shown and described.

**DESCRIPTION**

FIG. 1 is a perspective view of a controller showing our new design;  
FIG. 2 is a front elevation thereof;  
FIG. 3 is a rear elevation thereof;  
FIG. 4 is a left side elevation thereof;  
FIG. 5 is a right side elevation thereof;  
FIG. 6 is a top plan view thereof; and,  
FIG. 7 is a bottom plan view thereof.

**1 Claim, 7 Drawing Sheets**



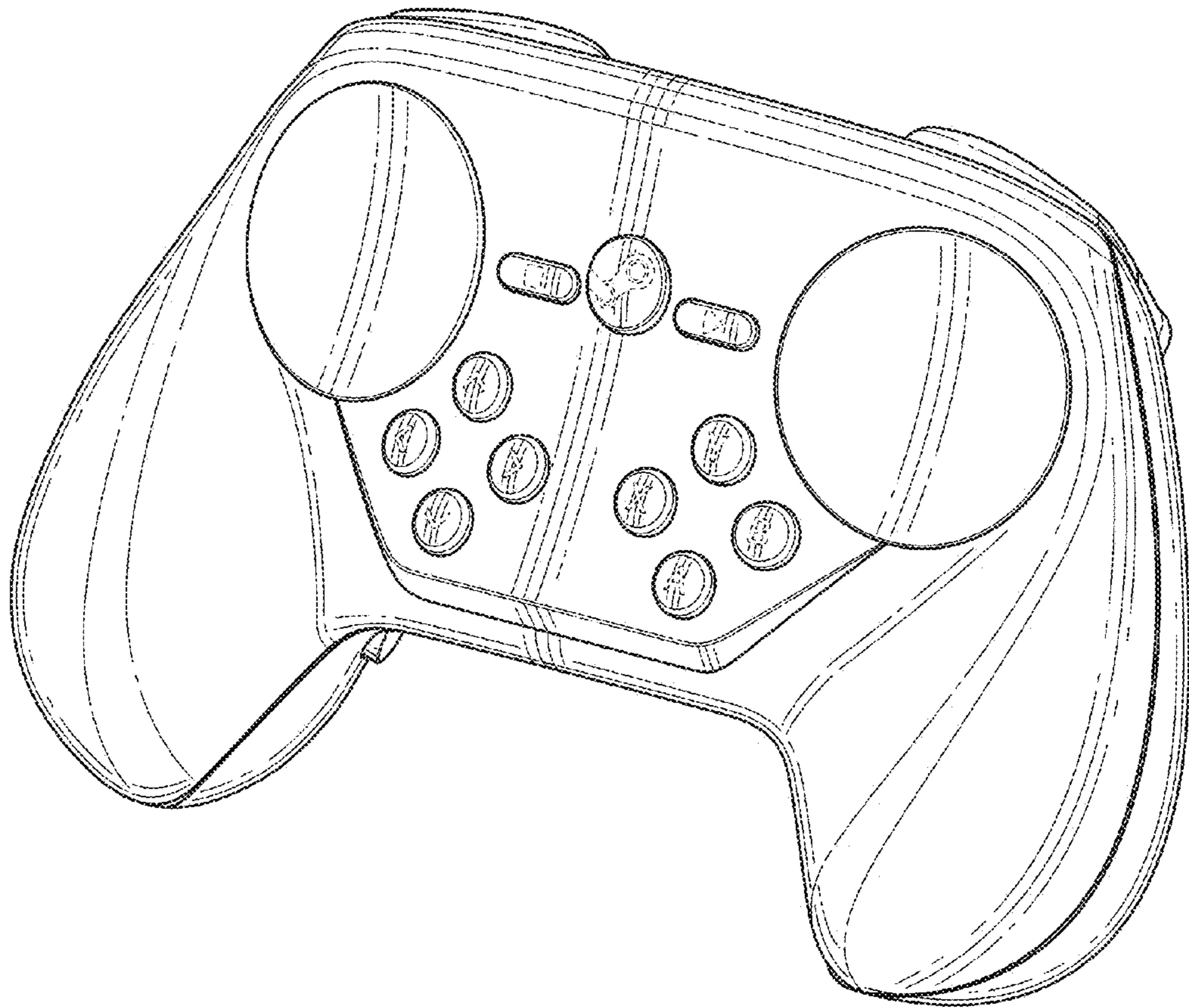


FIG. 1

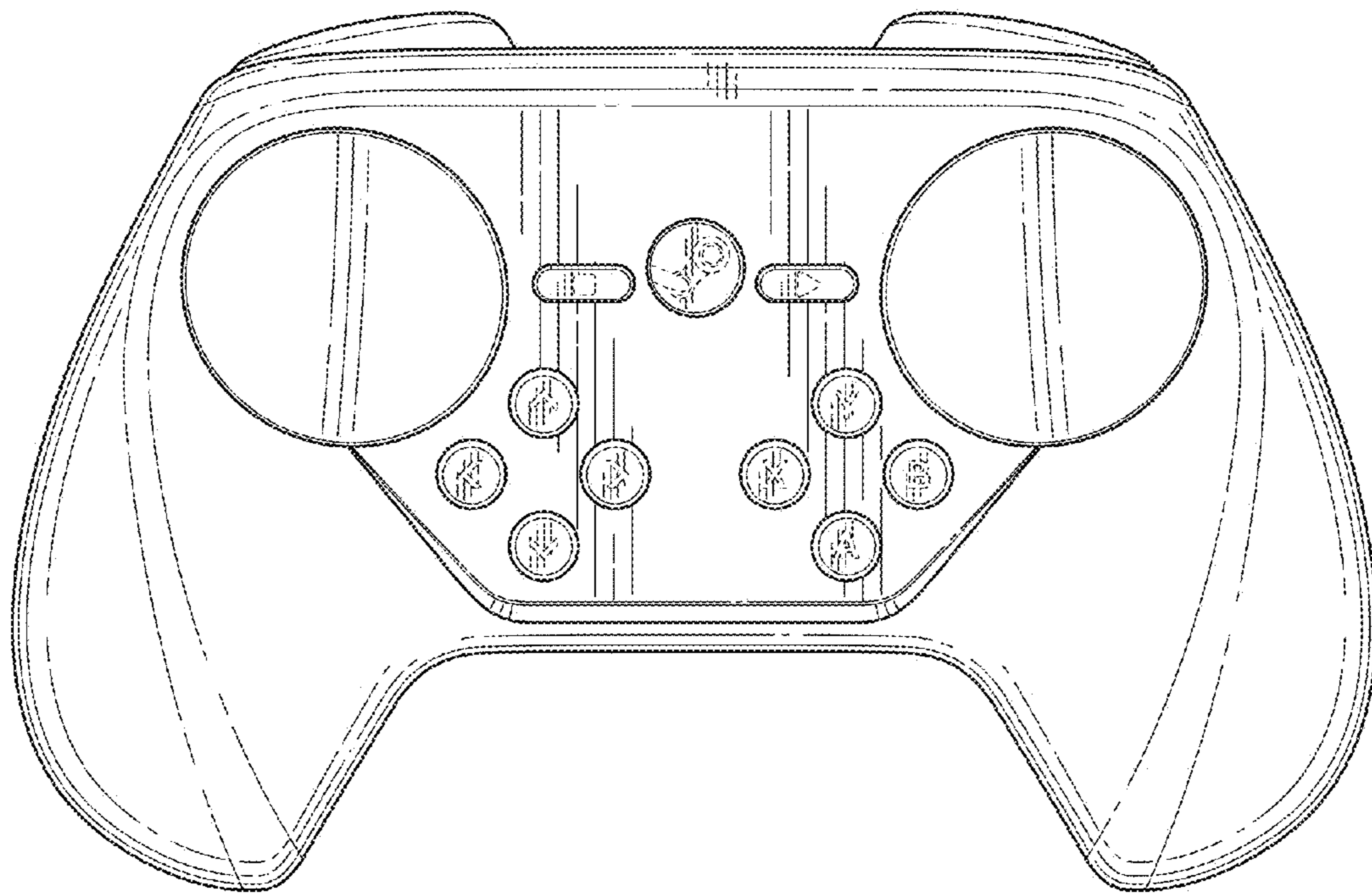


FIG. 2

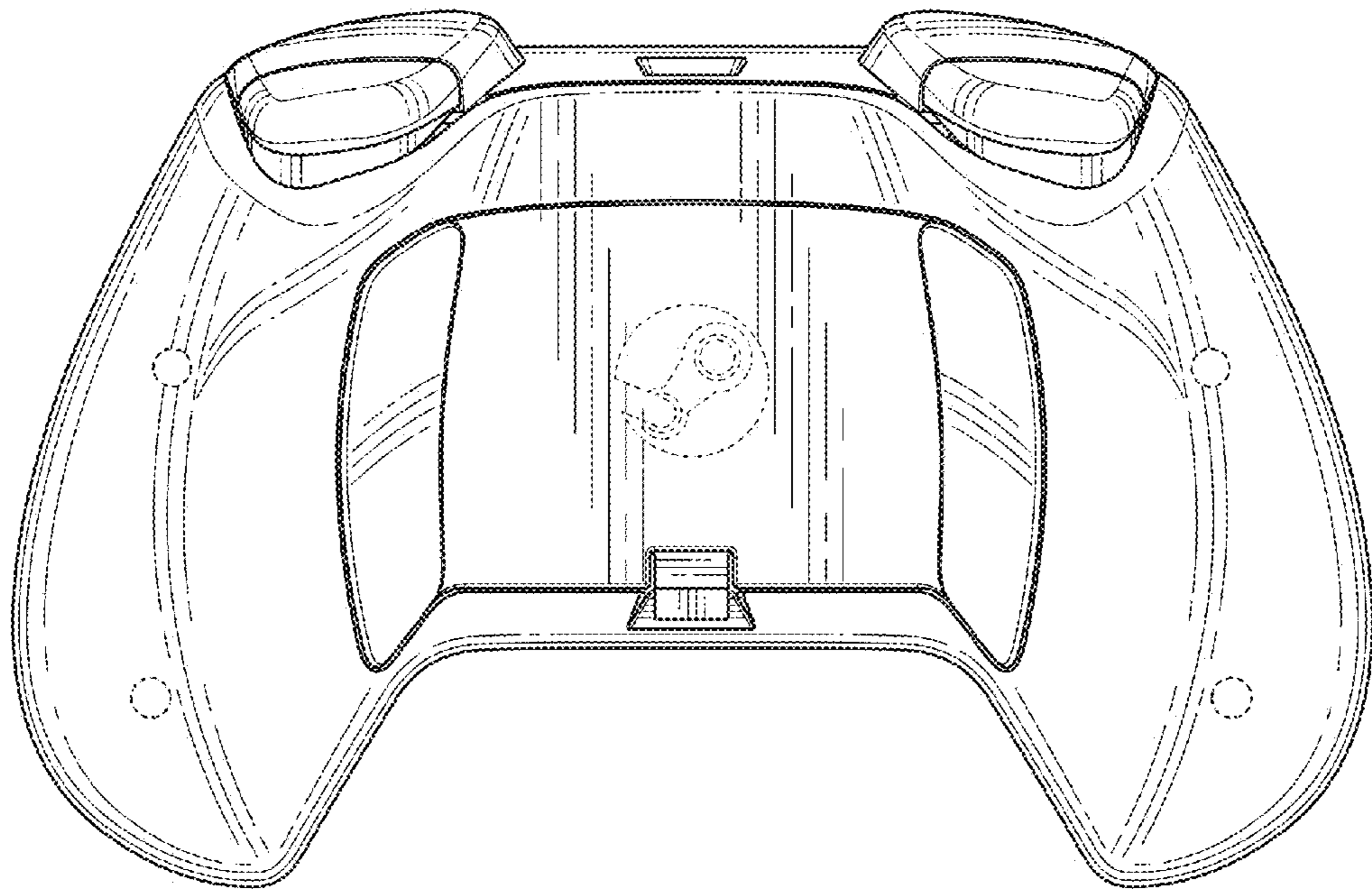


FIG. 3

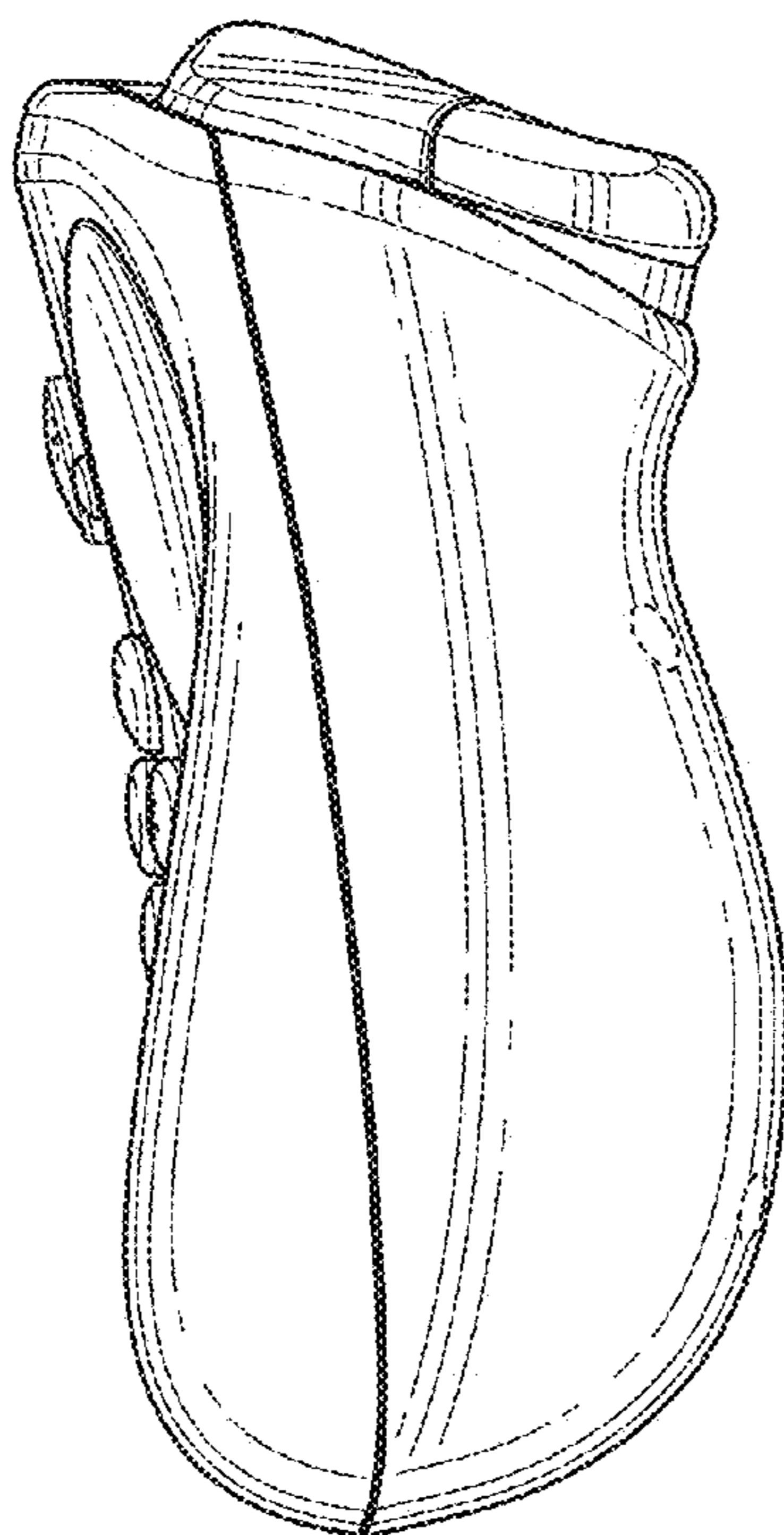


FIG. 4

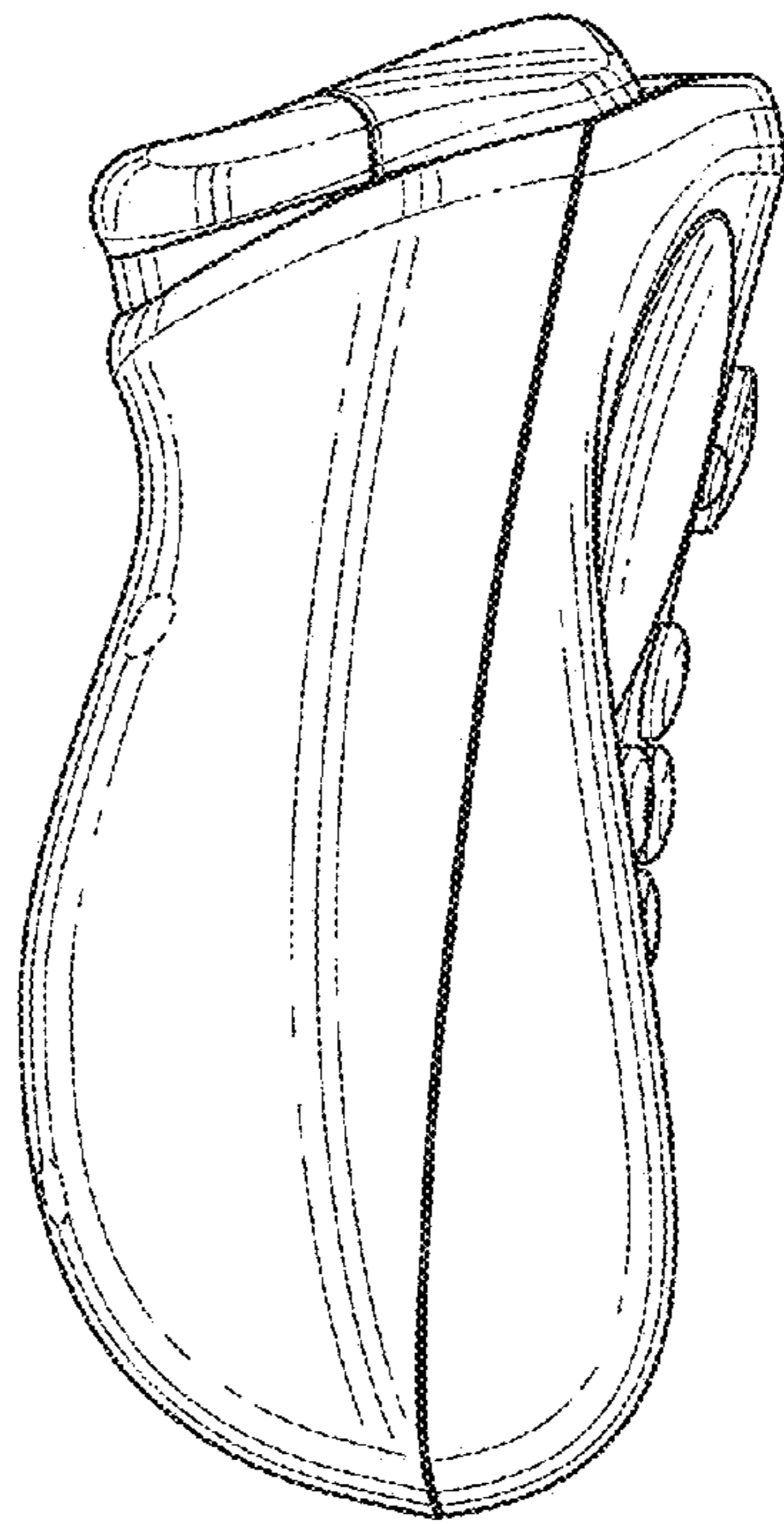


FIG. 5

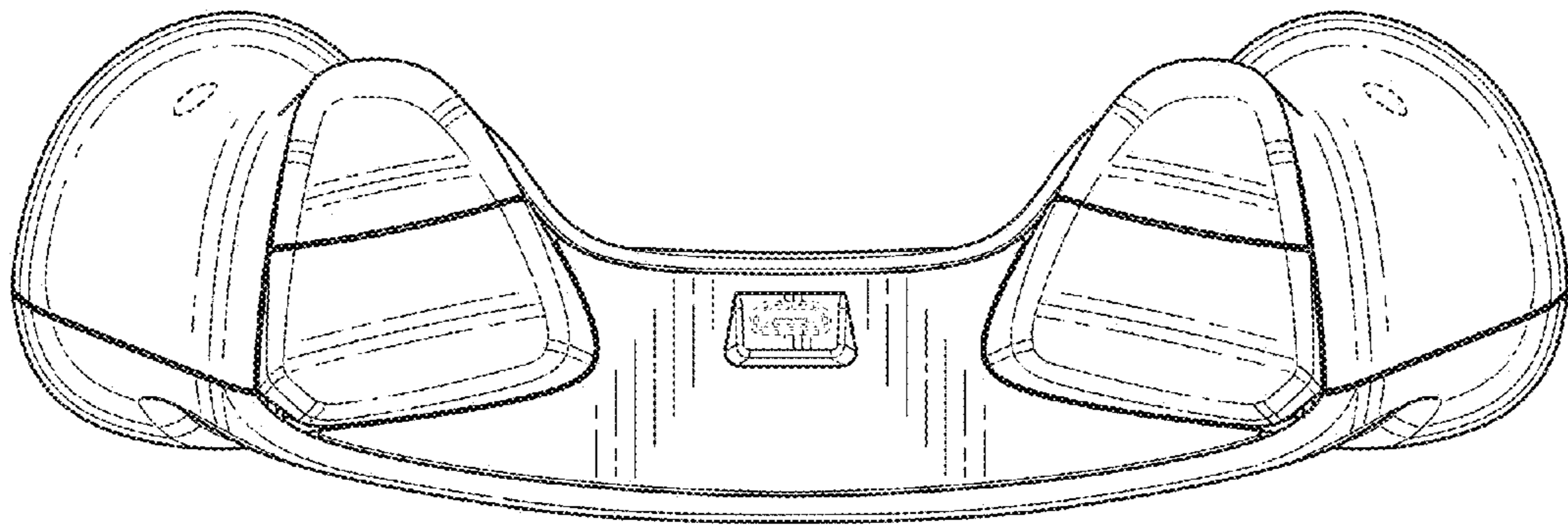


FIG. 6

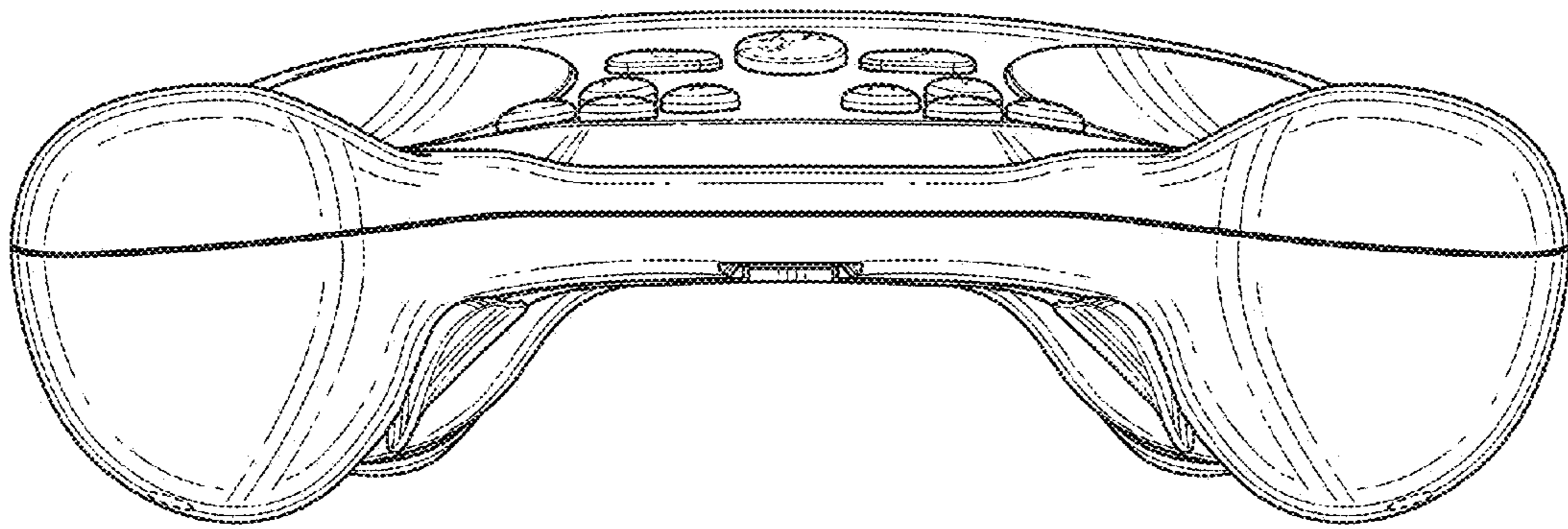


FIG. 7