

US00D726723S

(12) **United States Design Patent**
Georgiou et al.

(10) **Patent No.:** **US D726,723 S**
(45) **Date of Patent:** **** Apr. 14, 2015**

(54) **COMPUTER DETECTABLE MANIPULATIVE**

(71) Applicants: **Phylaktis Georgiou**, Cambridge, MA (US); **William G. Gridley**, New York, NY (US)

(72) Inventors: **Phylaktis Georgiou**, Cambridge, MA (US); **William G. Gridley**, New York, NY (US)

(73) Assignee: **Kidtellect Inc.**, Cambridge, MA (US)

(**) Term: **14 Years**

(21) Appl. No.: **29/434,682**

(22) Filed: **Oct. 16, 2012**

(51) **LOC (10) Cl.** **14-02**

(52) **U.S. Cl.**
USPC **D14/388**; D21/333; D21/386

(58) **Field of Classification Search**
USPC D14/388, 403, 299; D21/333, 385, 386, D21/389, 398, 406, 468, 470, 471, 473, D21/476; D7/672, 675; D24/193-195; D30/160; 434/362

See application file for complete search history.

(56) **References Cited**

U.S. PATENT DOCUMENTS

D60,947 S *	5/1922	Patrich	D24/194
D200,382 S *	2/1965	Smith	D24/194
D369,836 S *	5/1996	Mazzio	D21/386
D374,692 S *	10/1996	Stroud et al.	D21/476
D403,072 S *	12/1998	Rogers Huante	D24/194
D541,352 S *	4/2007	Andersen	D21/386

D645,468 S *	9/2011	Skulina et al.	D14/388
D687,105 S *	7/2013	Menting	D21/398
D697,977 S *	1/2014	Houvener et al.	D21/300
D704,276 S *	5/2014	Carmack	D21/405
D716,877 S *	11/2014	Raymond	D21/385
2013/0302777 A1 *	11/2013	Tomkins et al.	434/362

OTHER PUBLICATIONS

Biggs, John. "The Tiggly Educational App Lets Babies Learn Shapes on Your Expensive Tablet." TechCrunch. N.p., Oct. 31, 2012. Web. Dec. 16, 2014. <<http://techcrunch.com/2012/10/31/the-tiggly-educational-app-lets-babies-learn-shapes-on-your-expensive-tablet/>>.*

* cited by examiner

Primary Examiner — Deanna L Pratt

(74) *Attorney, Agent, or Firm* — Lando & Anastasi, LLP

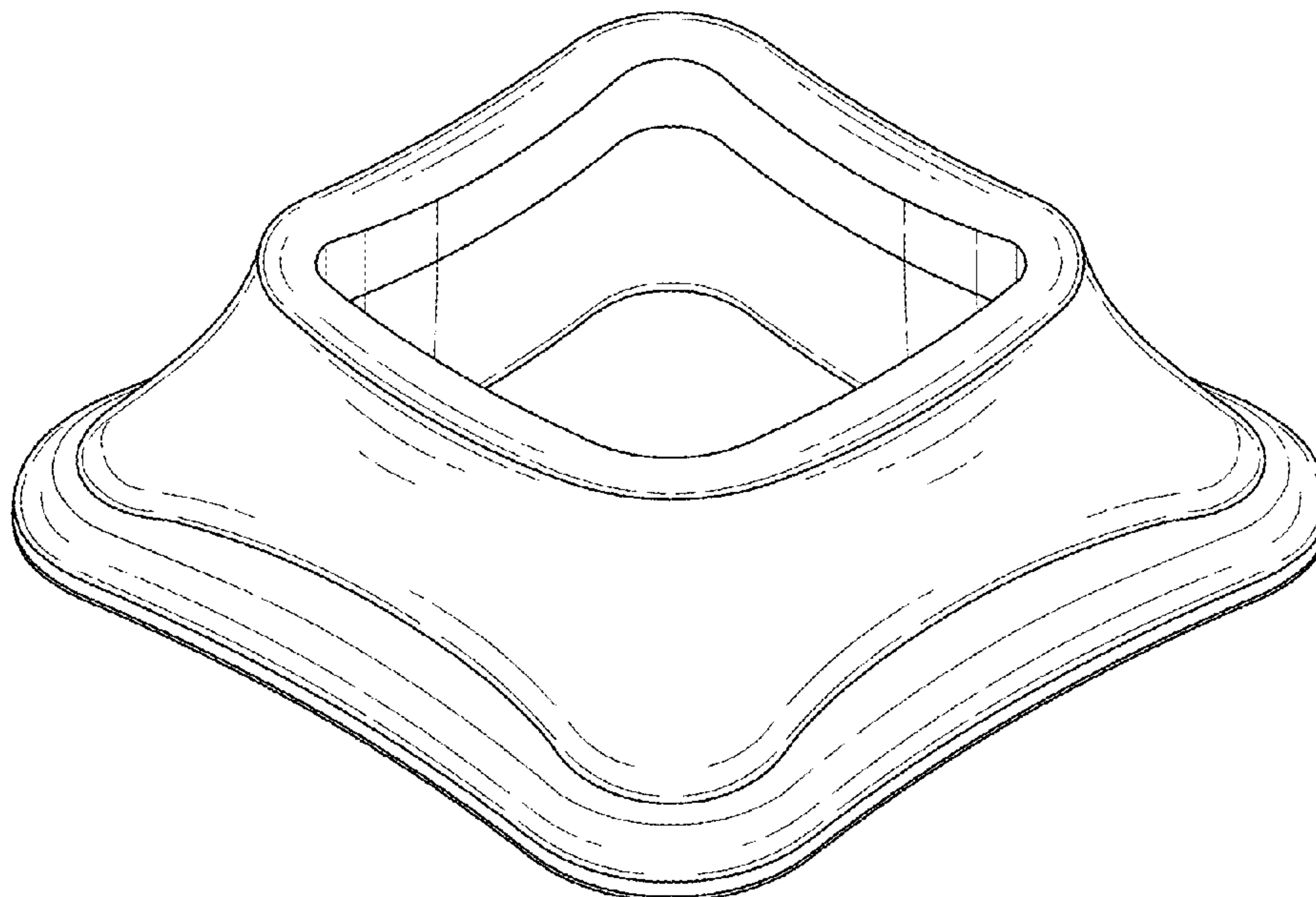
(57) **CLAIM**

The ornamental design for a computer detectable manipulative, as shown and described.

DESCRIPTION

FIG. 1 is a perspective view of the computer detectable manipulative according to our new design; FIG. 2 is a top view thereof; FIG. 3 is a bottom view thereof; FIG. 4 is a front view thereof; FIG. 5 is a back view thereof; FIG. 6 is a left side view thereof; and, FIG. 7 is a right side view thereof. The broken lines illustrate portions of the computer detectable manipulative that form no part of the claimed design.

1 Claim, 7 Drawing Sheets



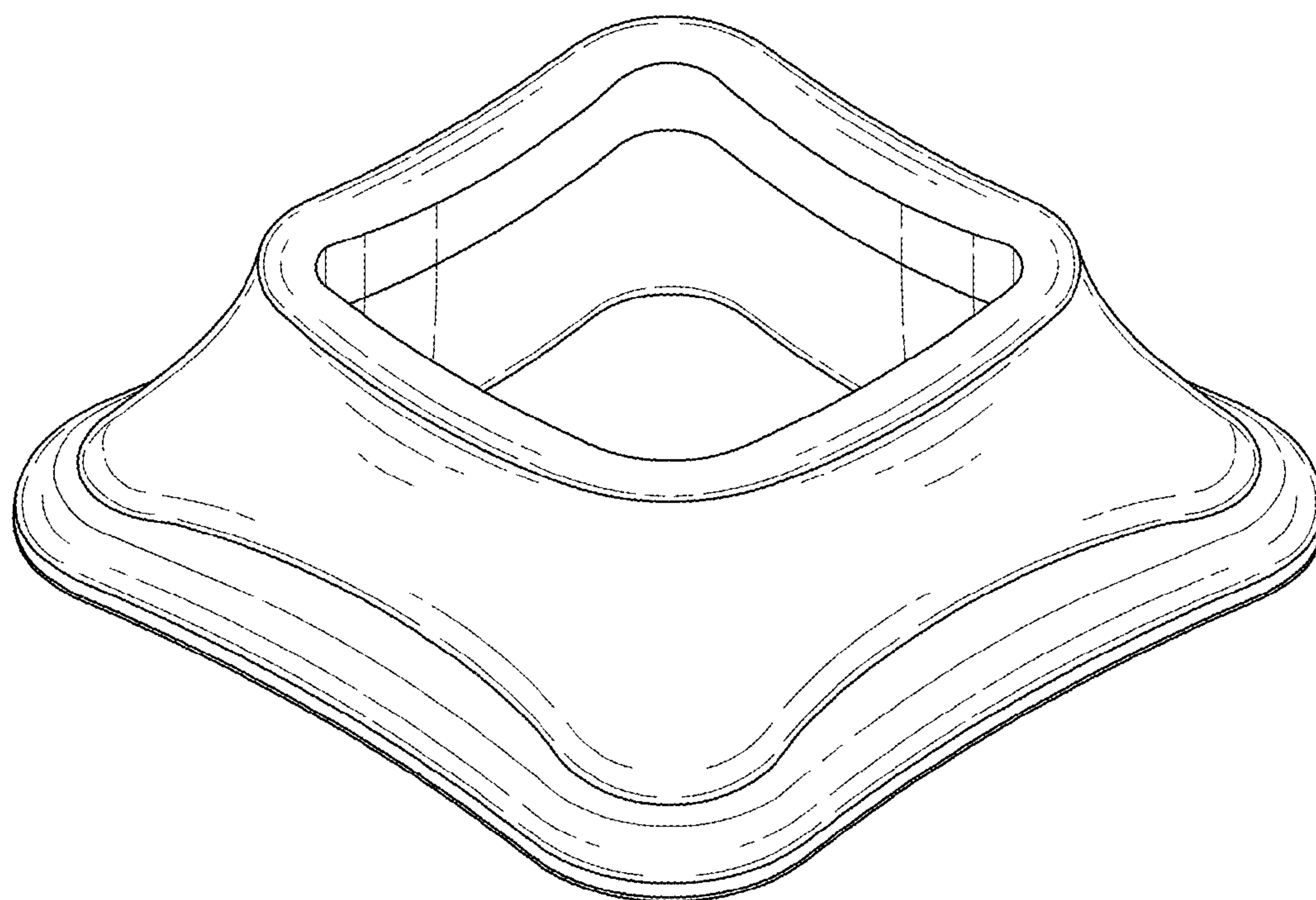


FIG. 1

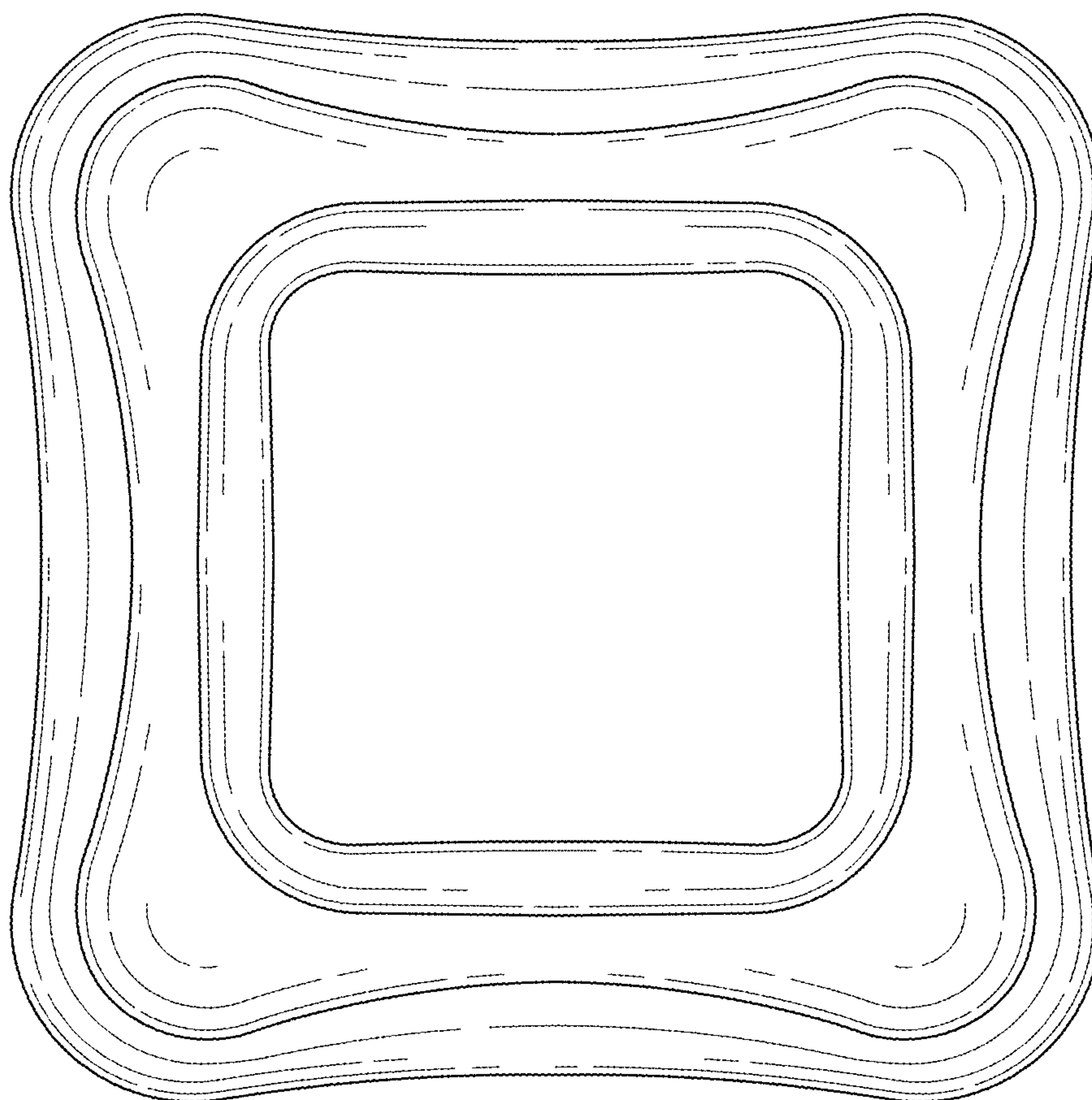


FIG. 2

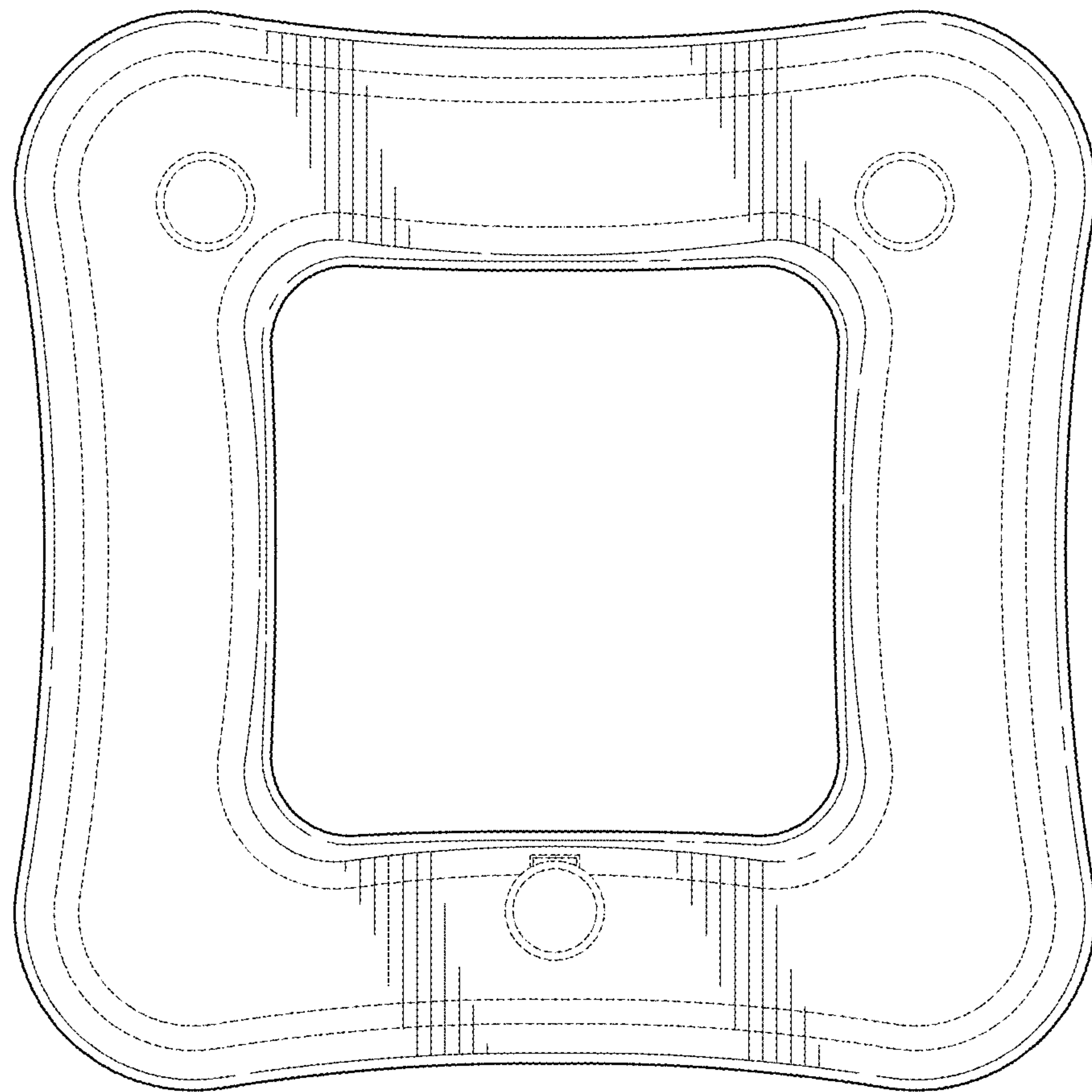


FIG. 3

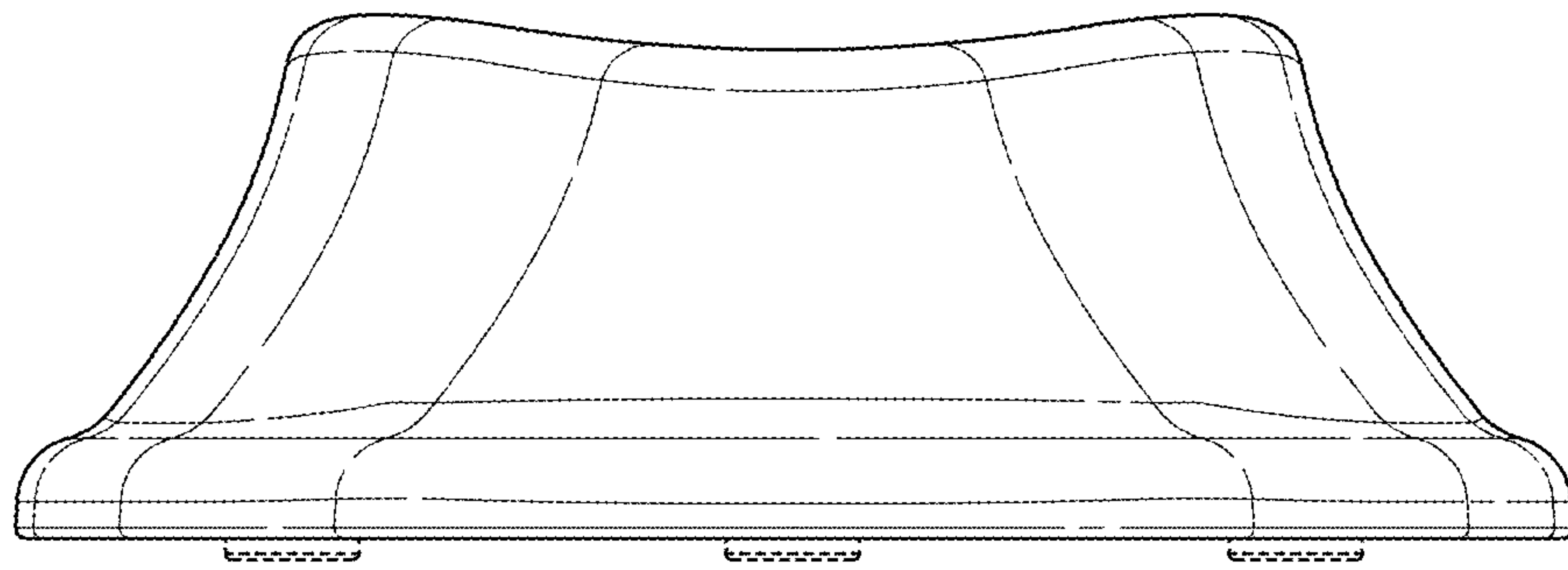


FIG. 4

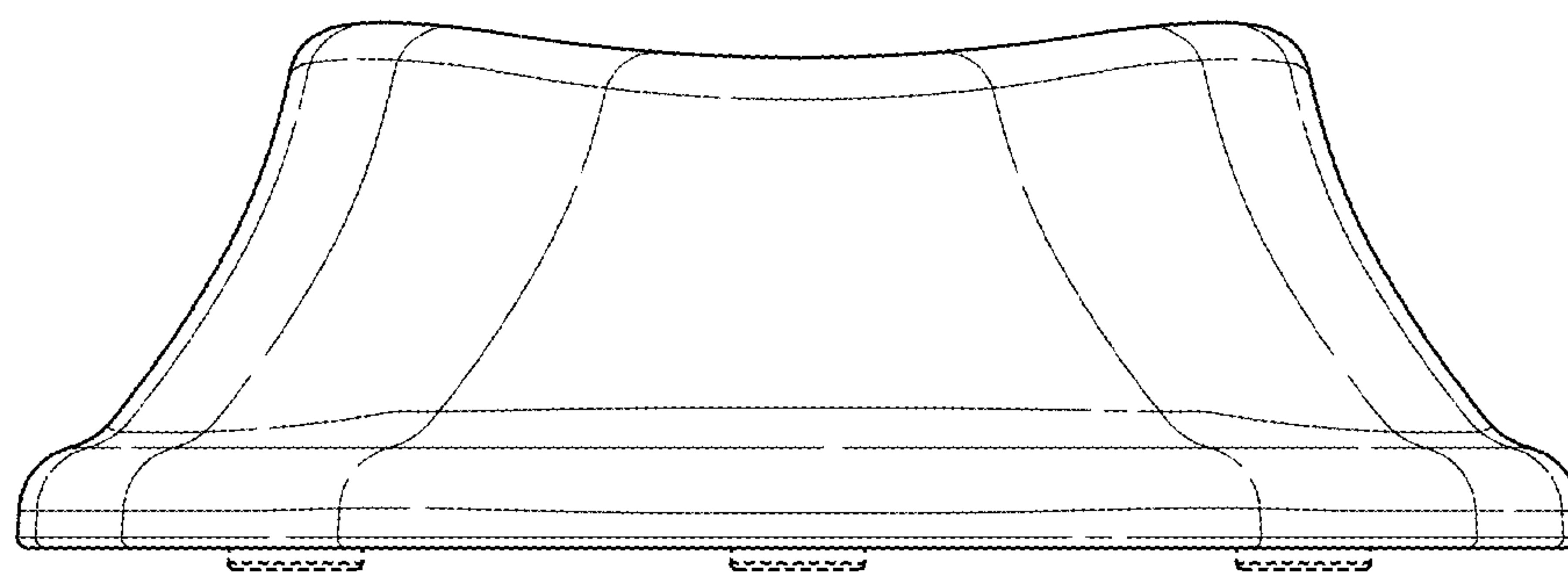


FIG. 5

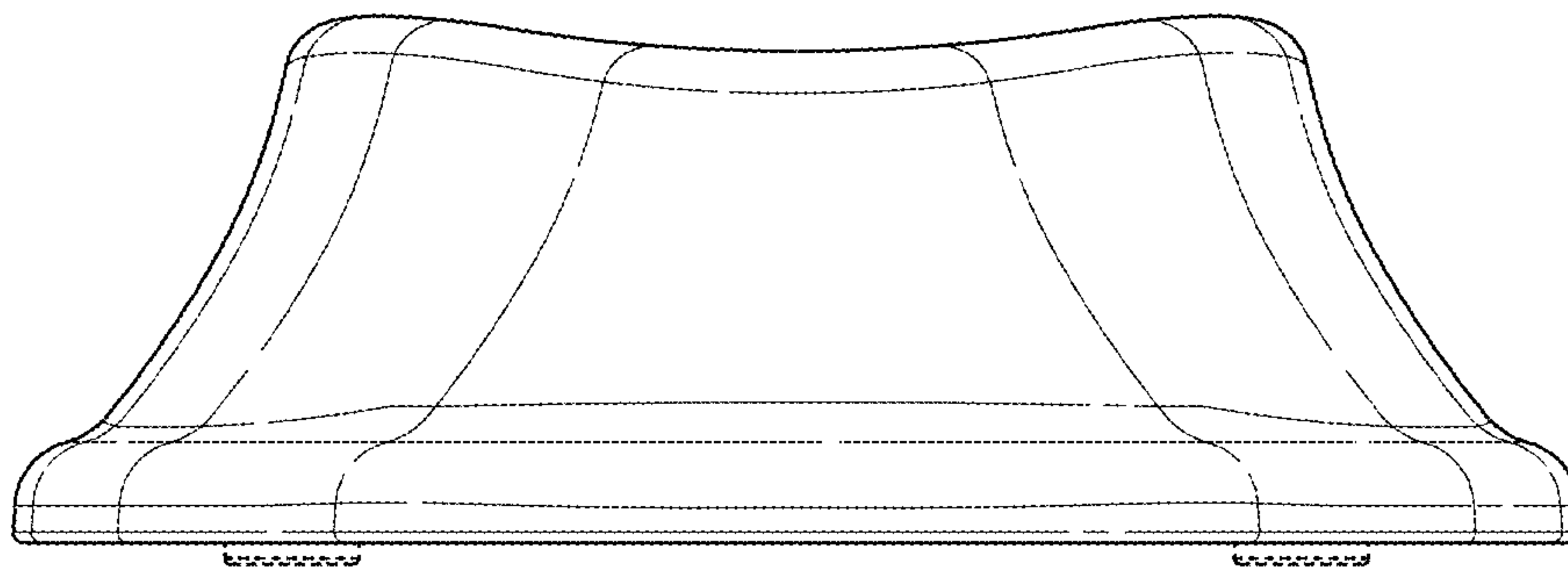


FIG. 6

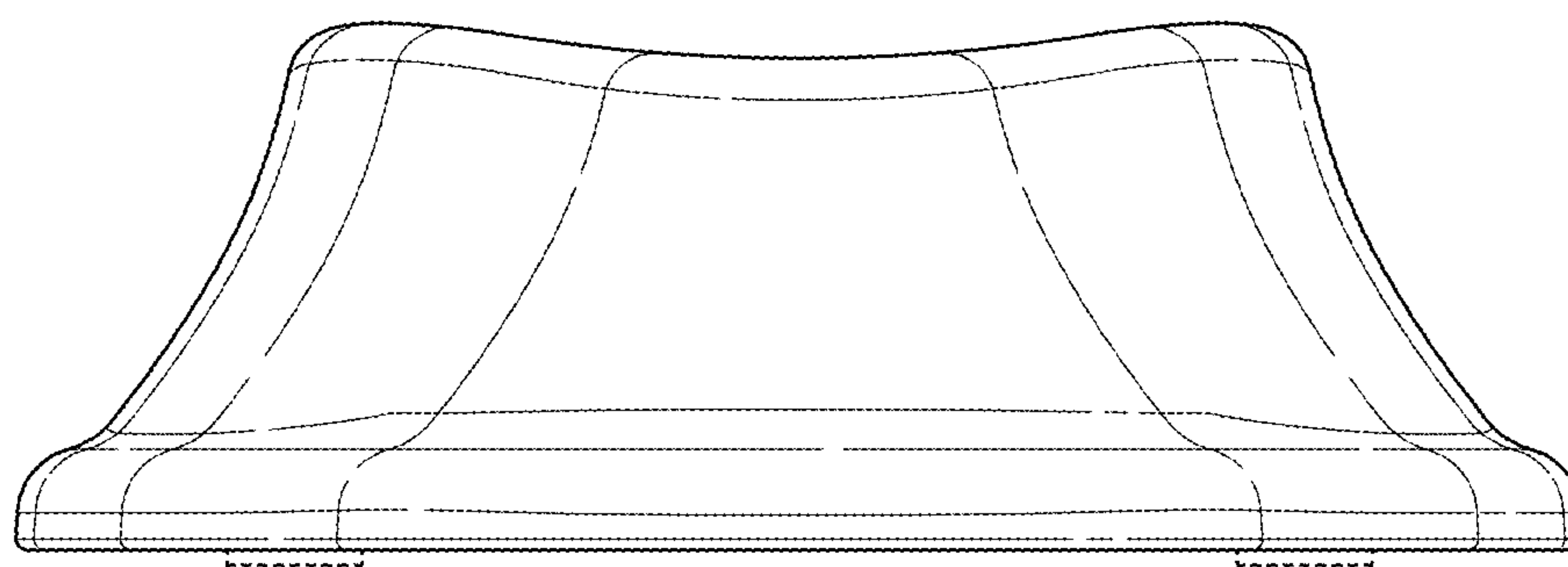


FIG. 7