



US00D726718S

(12) **United States Design Patent**
Choo et al.

(10) **Patent No.:** **US D726,718 S**
(45) **Date of Patent:** **** Apr. 14, 2015**

(54) **HEAD MOUNTED DISPLAY DEVICE**

(71) Applicant: **LG Electronics Inc.**, Seoul (KR)

(72) Inventors: **Zhimin Choo**, Seoul (KR); **Seihyun Cho**, Seoul (KR); **Sanghyuck Lee**, Seoul (KR); **Soonhyun Park**, Seoul (KR)

(73) Assignee: **LG Electronics Inc.**, Seoul (KR)

(**) Term: **14 Years**

(21) Appl. No.: **29/502,463**

(22) Filed: **Sep. 16, 2014**

(30) **Foreign Application Priority Data**

Mar. 17, 2014 (KR) 30-2014-0013283

(51) **LOC (10) CL.** **14-02**

(52) **U.S. CL.**
USPC **D14/372**

(58) **Field of Classification Search**
CPC G02B 27/017; G02B 27/0158; G02B 27/0161; G02B 27/0181; G02B 27/0185; G02B 27/0189
USPC D14/372, 496, 432, 371, 125, 126, 129, D14/299; D16/300-342; 351/158, 153, 144; 345/7-9, 905; 455/344; 348/115, 53, 348/121, 739
See application file for complete search history.

(56) **References Cited**

U.S. PATENT DOCUMENTS

D334,557 S *	4/1993	Hunter et al.	D14/372
D337,320 S *	7/1993	Hunter et al.	D14/372
D402,651 S *	12/1998	Depay et al.	D14/372
D429,253 S *	8/2000	Robertson et al.	D14/496
D436,960 S *	1/2001	Budd et al.	D14/372
6,747,611 B1 *	6/2004	Budd et al.	345/7
D512,985 S *	12/2005	Travers et al.	D14/206

D521,493 S *	5/2006	Wai	D14/205
D533,893 S *	12/2006	Canavan et al.	D16/330
D565,082 S *	3/2008	McClure et al.	D16/309
D659,739 S *	5/2012	Olsson et al.	D16/300
D659,740 S *	5/2012	Olsson et al.	D16/300
D660,341 S *	5/2012	Olsson et al.	D16/300
D662,964 S *	7/2012	Olsson et al.	D16/300
D664,184 S *	7/2012	Olsson et al.	D16/309
D664,586 S *	7/2012	Olsson	D16/300
D665,008 S *	8/2012	Olsson et al.	D16/309
D671,589 S *	11/2012	Olsson	D16/300
D688,727 S *	8/2013	Olsson	D16/300
D691,602 S *	10/2013	Sugihara et al.	D14/300
D692,424 S *	10/2013	Pombo et al.	D14/372

(Continued)

Primary Examiner — Austin Murphy

(74) *Attorney, Agent, or Firm* — Birch, Stewart, Kolasch & Birch, LLP

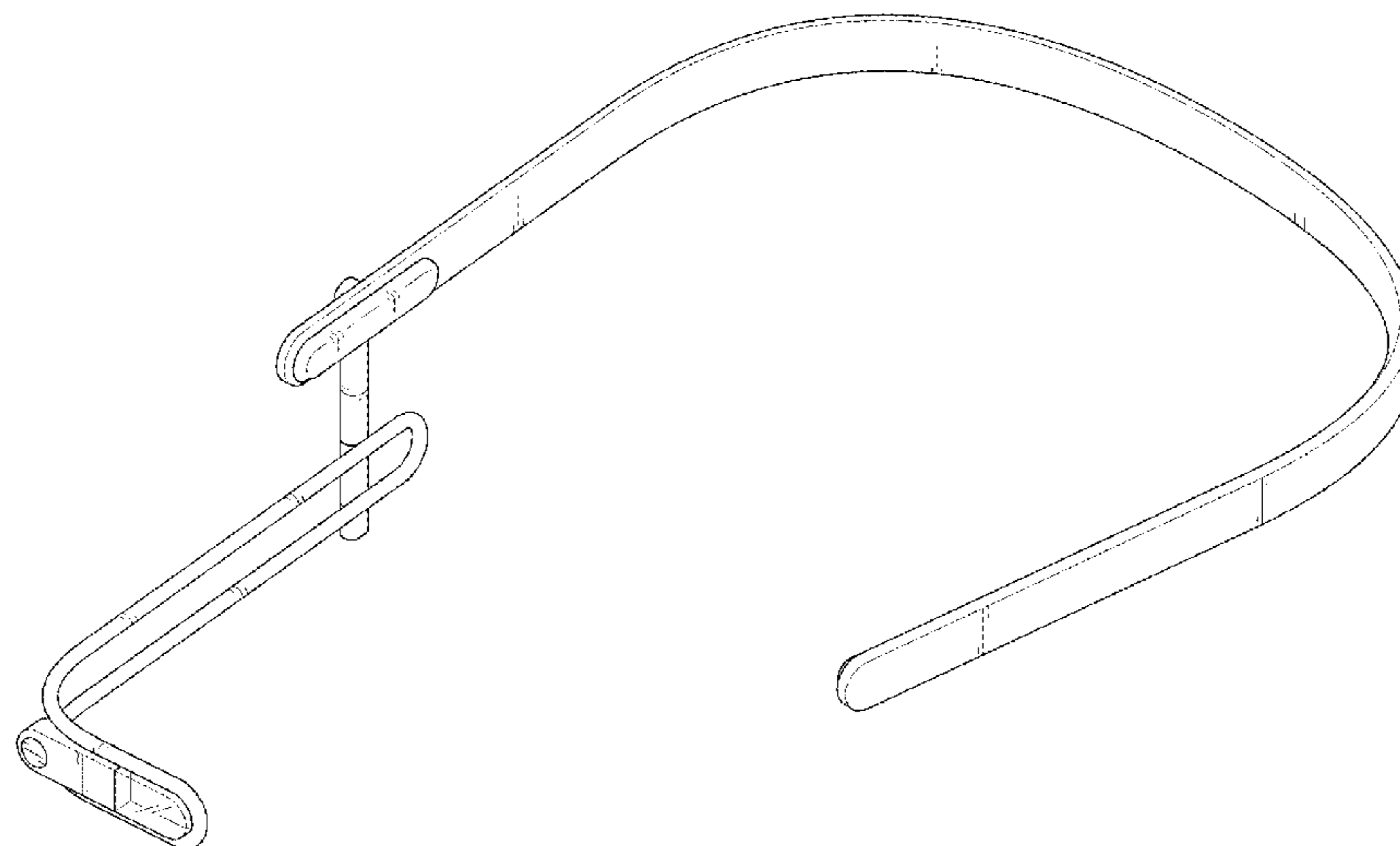
(57) **CLAIM**

The ornamental design for a head mounted display device, as shown and described.

DESCRIPTION

FIG. 1 is a perspective view of a head mounted display device showing our new design;
 FIG. 2 is a front view thereof;
 FIG. 3 is a rear view thereof;
 FIG. 4 is a left side view thereof;
 FIG. 5 is a right side view thereof;
 FIG. 6 is a top plan view thereof;
 FIG. 7 is a bottom plan view thereof;
 FIG. 8 is a left side view thereof, showing the display portion of the article in broken lines and in an alternate position of use;
 FIG. 9 is a left side view thereof showing the article in a position of use; and,
 FIG. 10 is a front view thereof, but with a portion of the article shown as transparent.
 The broken lines are just for illustrative purposes only and form no part of the claimed design.

1 Claim, 8 Drawing Sheets



(56)

References Cited

U.S. PATENT DOCUMENTS

D696,712 S * 12/2013 Armstrong et al. D16/300
D697,962 S * 1/2014 Olsson D16/300
D701,506 S * 3/2014 Pombo D14/372
D703,724 S * 4/2014 Olsson D16/300

D708,181 S * 7/2014 Olsson et al. D14/372
D711,373 S * 8/2014 Lee et al. D14/372
D711,375 S * 8/2014 Lee et al. D14/372
D711,376 S * 8/2014 Lee et al. D14/372
D715,295 S * 10/2014 Lee et al. D14/372
D716,299 S * 10/2014 Olsson et al. D14/372

* cited by examiner

FIG. 1

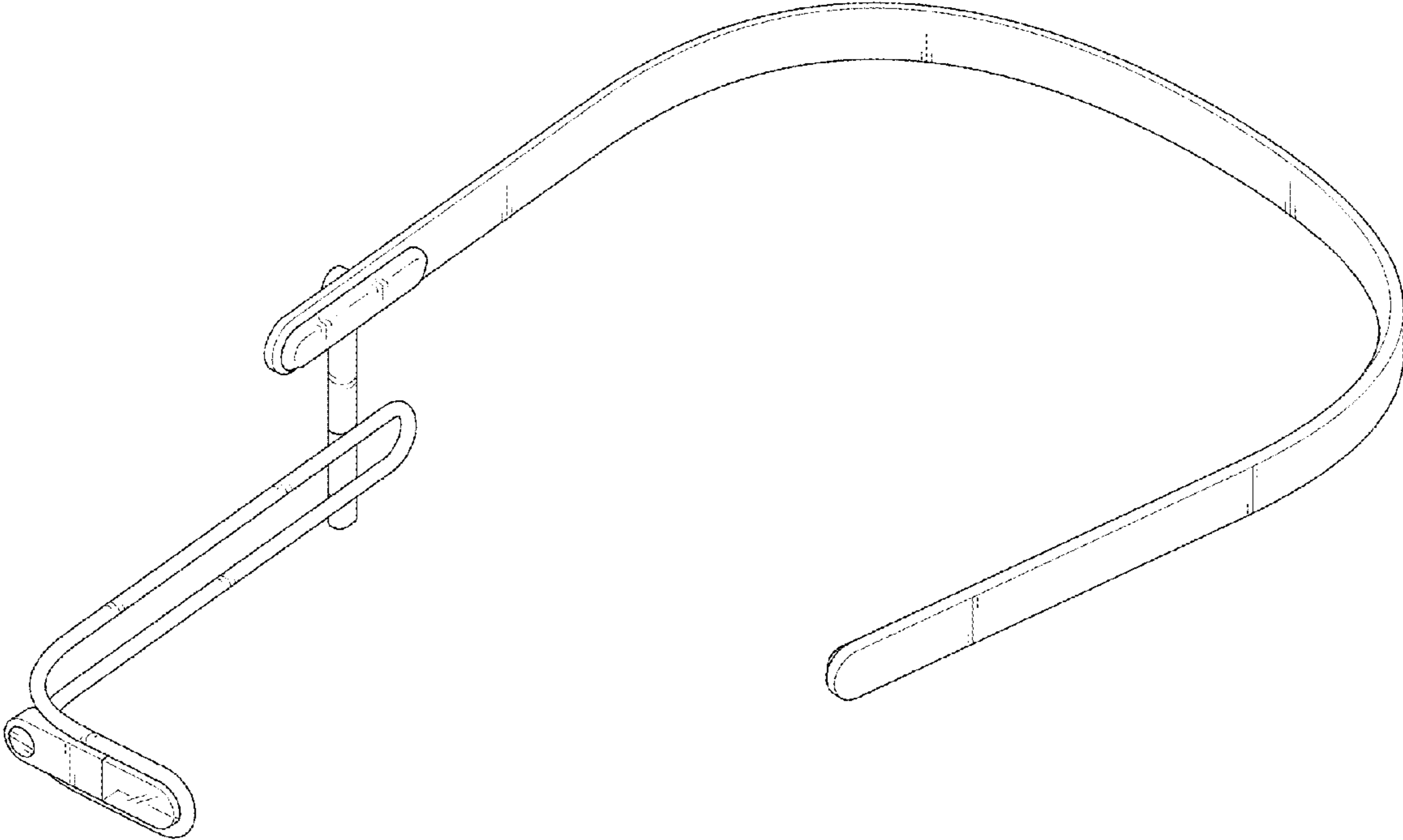


FIG. 2

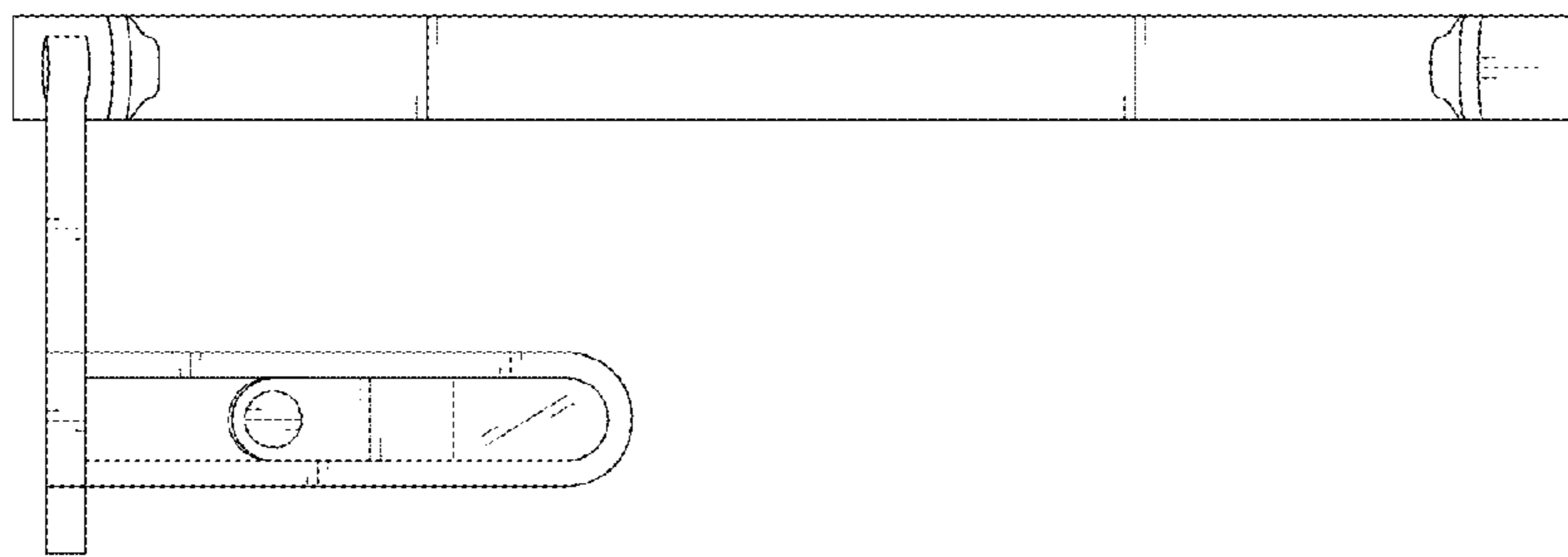


FIG. 3

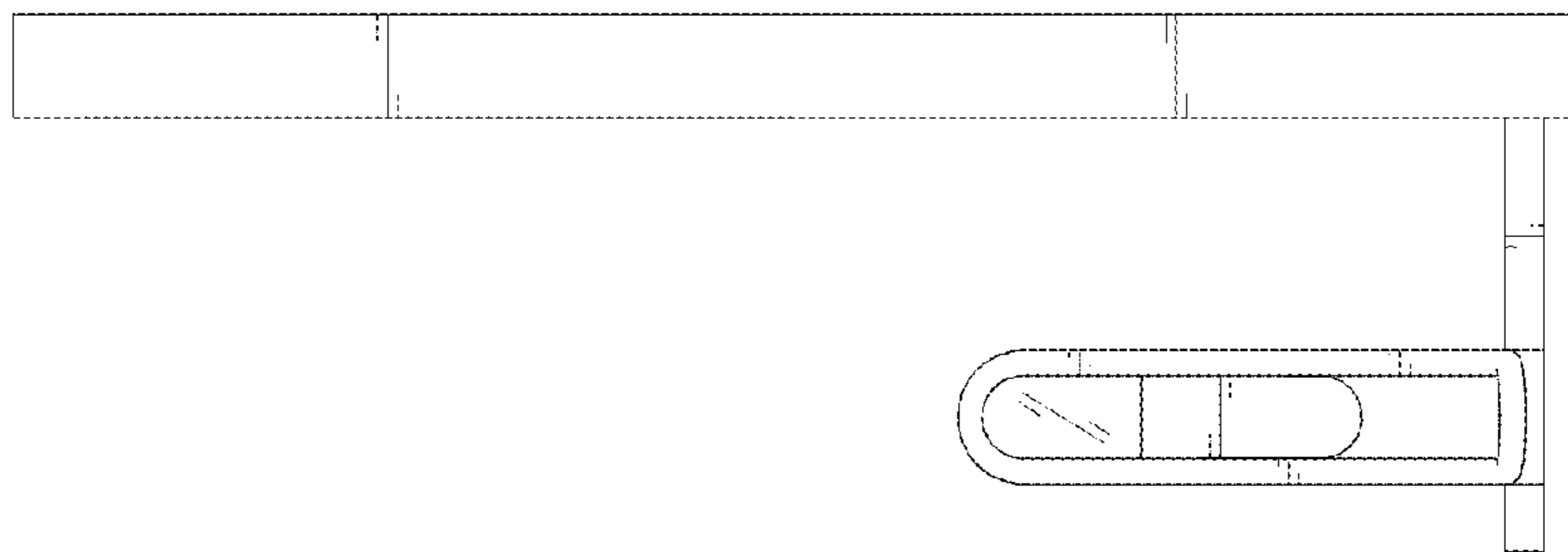


FIG. 4

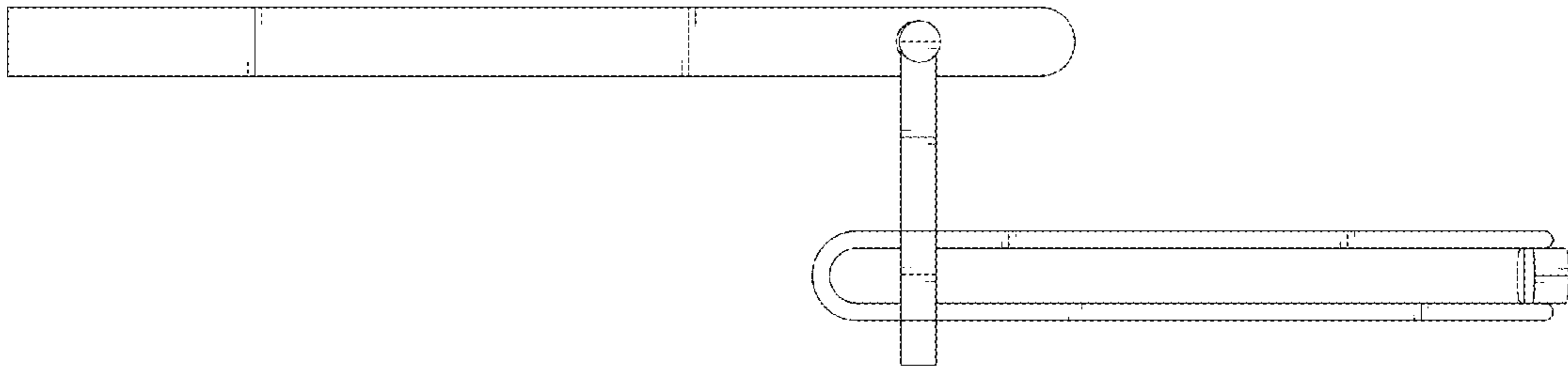


FIG. 5

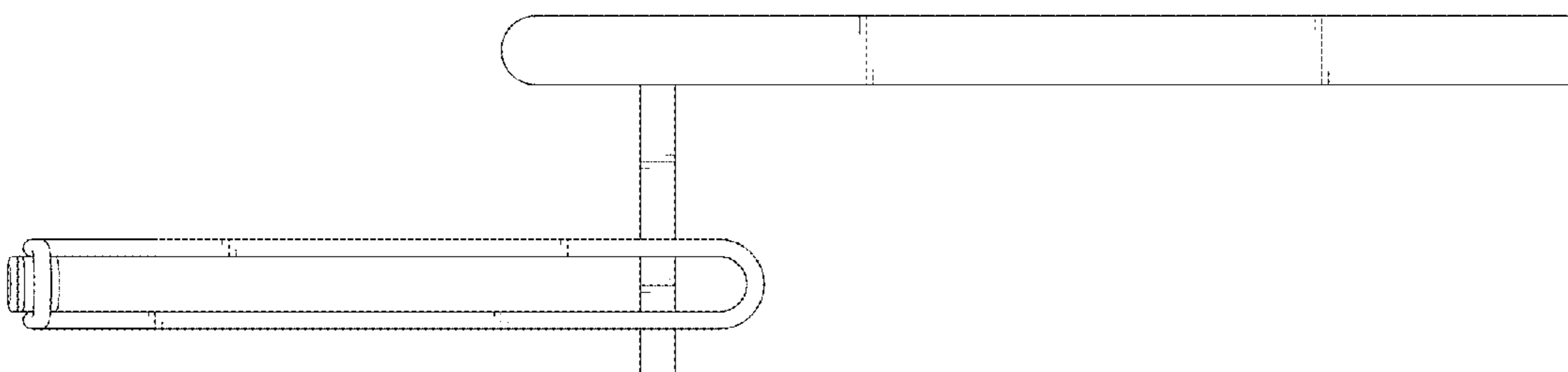


FIG. 6

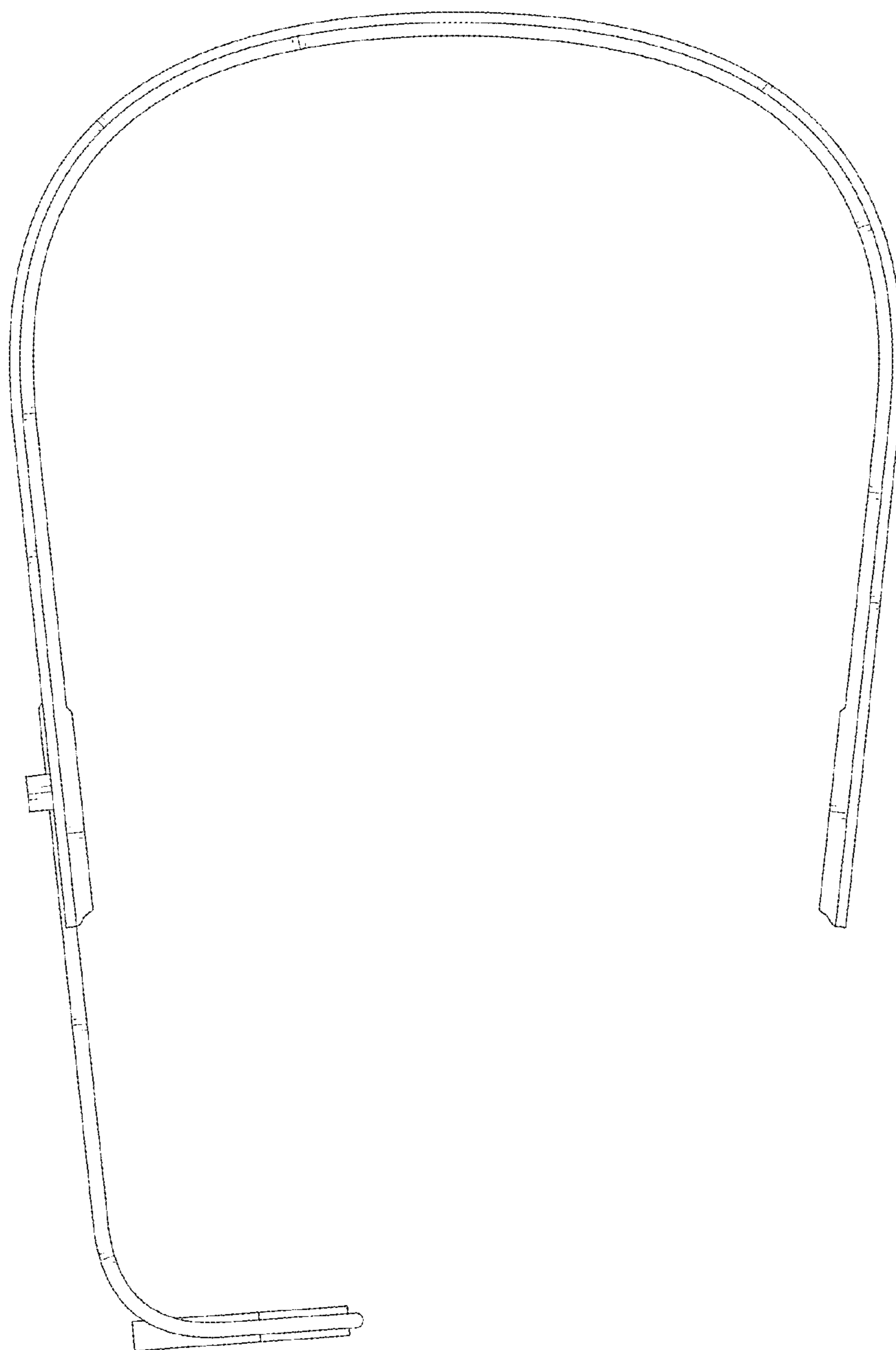


FIG. 7

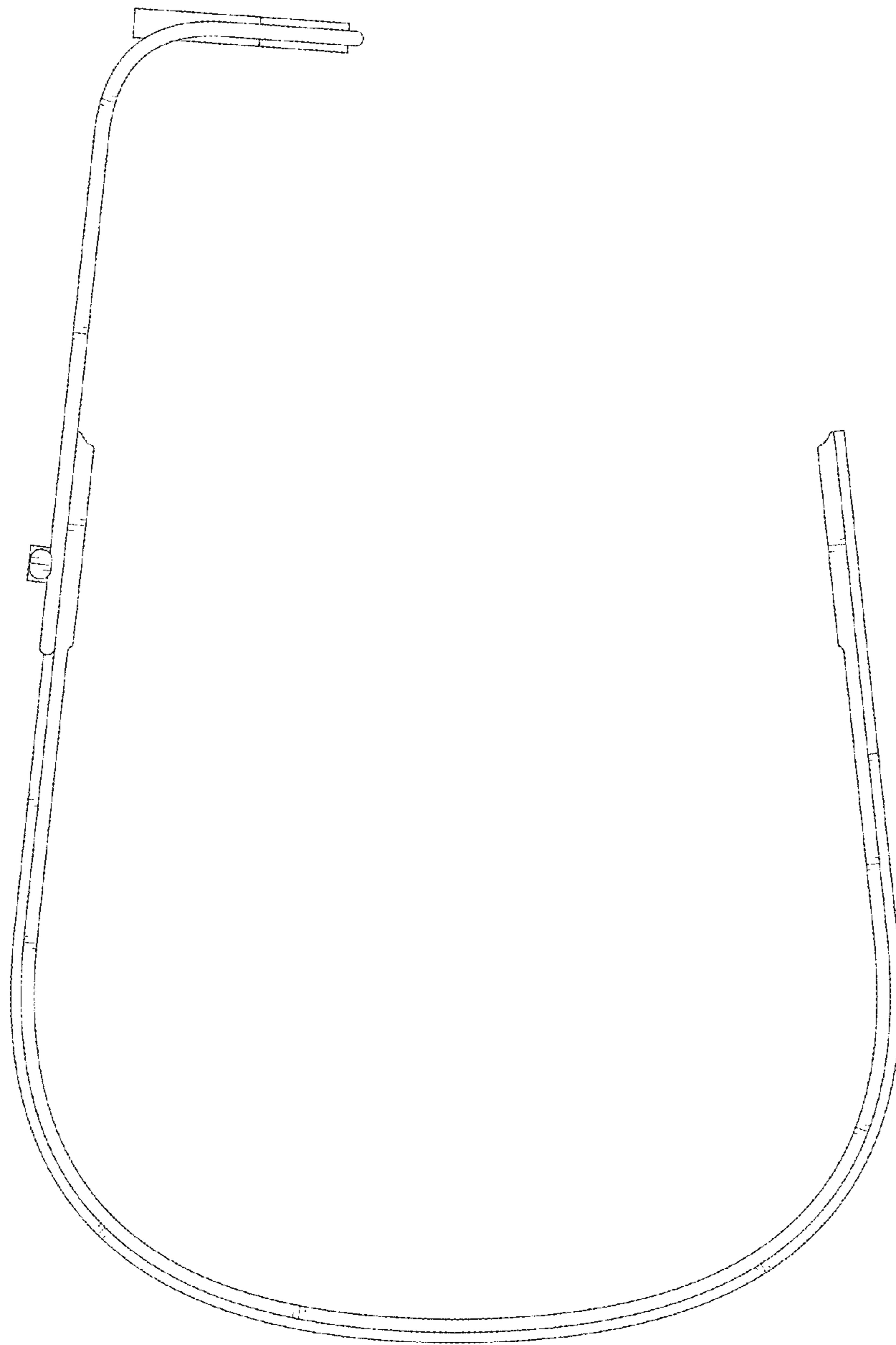


FIG. 8

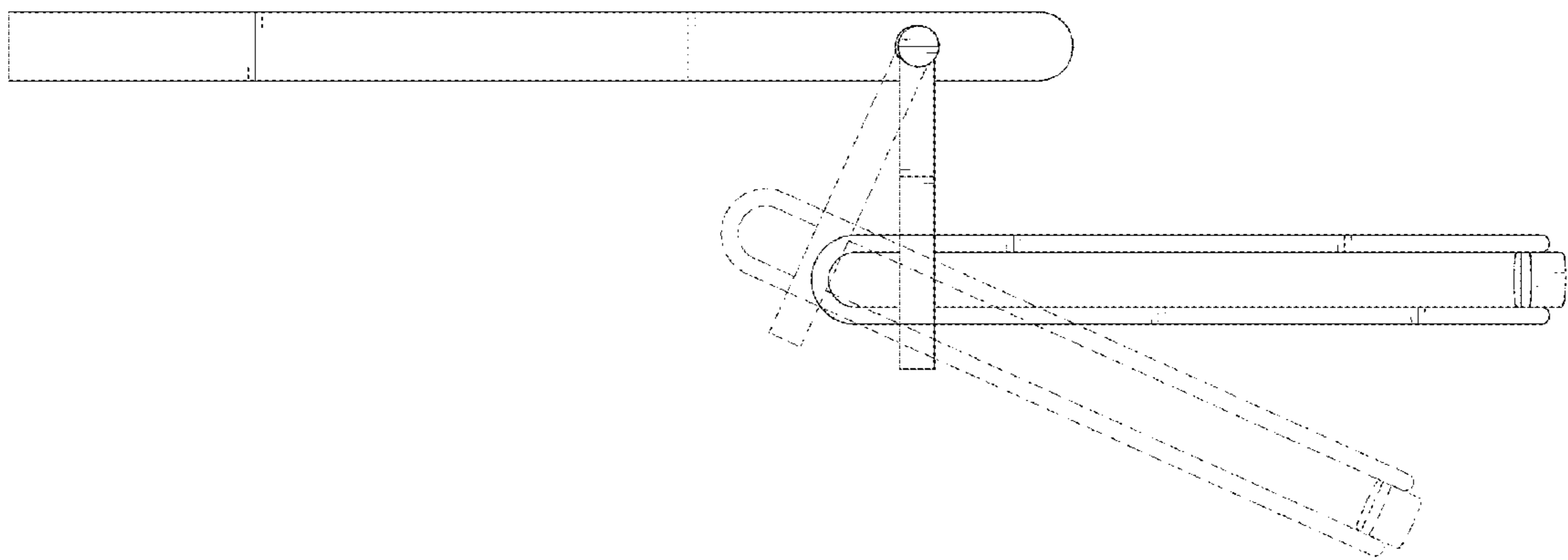


FIG. 9

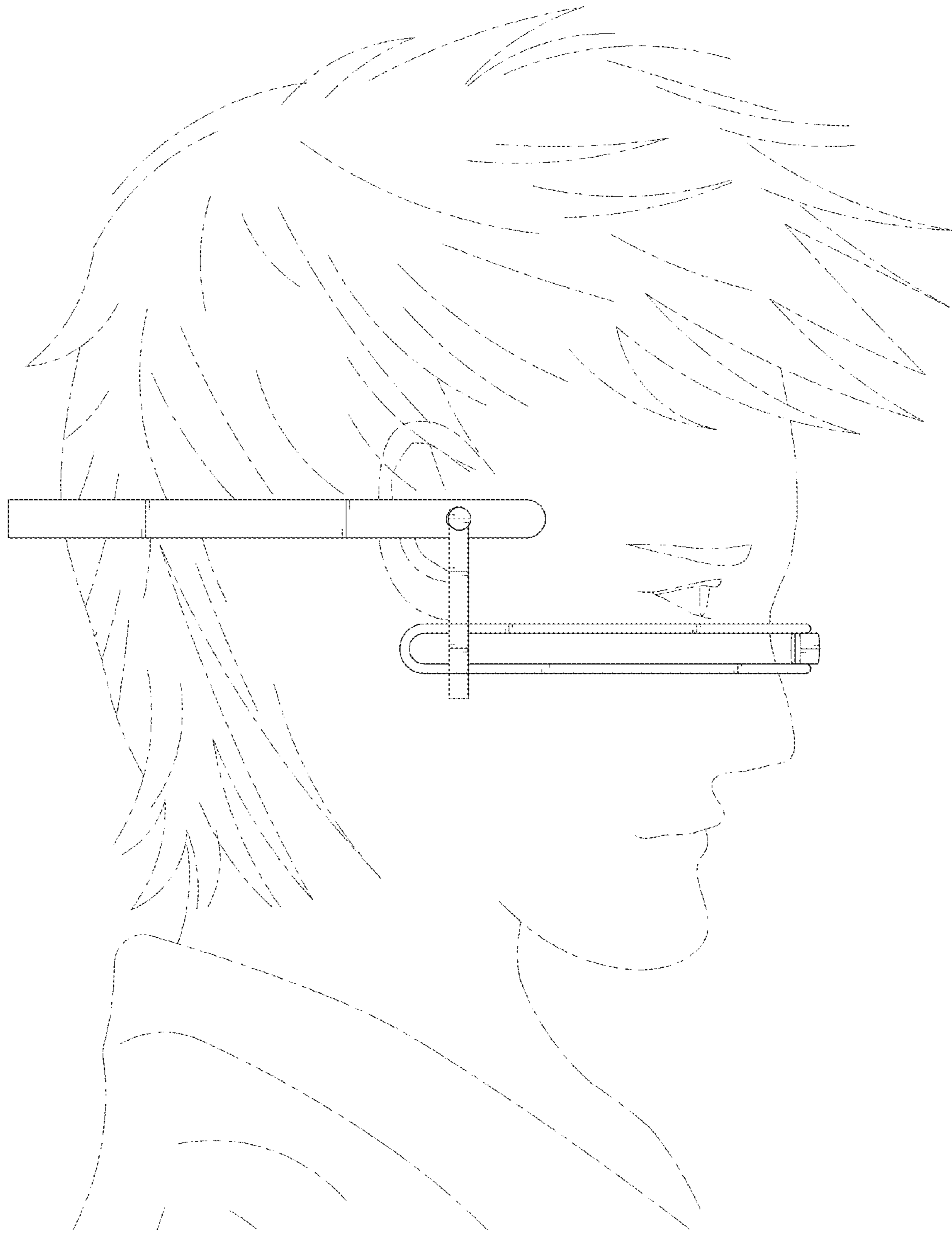


FIG. 10

