



US00D726717S

(12) **United States Design Patent**
Lee et al.

(10) **Patent No.:** **US D726,717 S**
(45) **Date of Patent:** **** Apr. 14, 2015**

(54) **DISPLAY DEVICE**

- (71) Applicant: **Dell Products L.P.**, Round Rock, TX
(US)
- (72) Inventors: **Yun Qin Lee**, Singapore (SG); **Etienne Thetard**, Singapore (SG)
- (73) Assignee: **Dell Products L.P.**, Round Rock, TX
(US)
- (**) Term: **14 Years**
- (21) Appl. No.: **29/470,872**
- (22) Filed: **Oct. 25, 2013**
- (51) **LOC (10) Cl.** **14-02**
- (52) **U.S. Cl.**
USPC **D14/371**
- (58) **Field of Classification Search**
USPC D14/371-375, 125-129, 336, 337;
341/12; 345/104, 156, 168, 173;
348/180, 184, 325, 739; 349/1, 2, 11,
349/62; 361/679.01, 679.05-679.07,
361/679.21; D6/300, 308

See application file for complete search history.

(56) **References Cited**

U.S. PATENT DOCUMENTS

7,280,665	B2 *	10/2007	Tamura et al.	381/333
D572,682	S *	7/2008	Won et al.	D14/126
D647,898	S *	11/2011	Haller et al.	D14/336
D653,254	S *	1/2012	Lu et al.	D14/374
D672,770	S *	12/2012	Shih et al.	D14/374
2013/0044411	A1 *	2/2013	Zhen et al.	361/679.01

* cited by examiner

Primary Examiner — Freda S Nunn

(74) *Attorney, Agent, or Firm* — Terrile, Cannatti, Chambers & Holland, LLP; Stephen A. Terrile

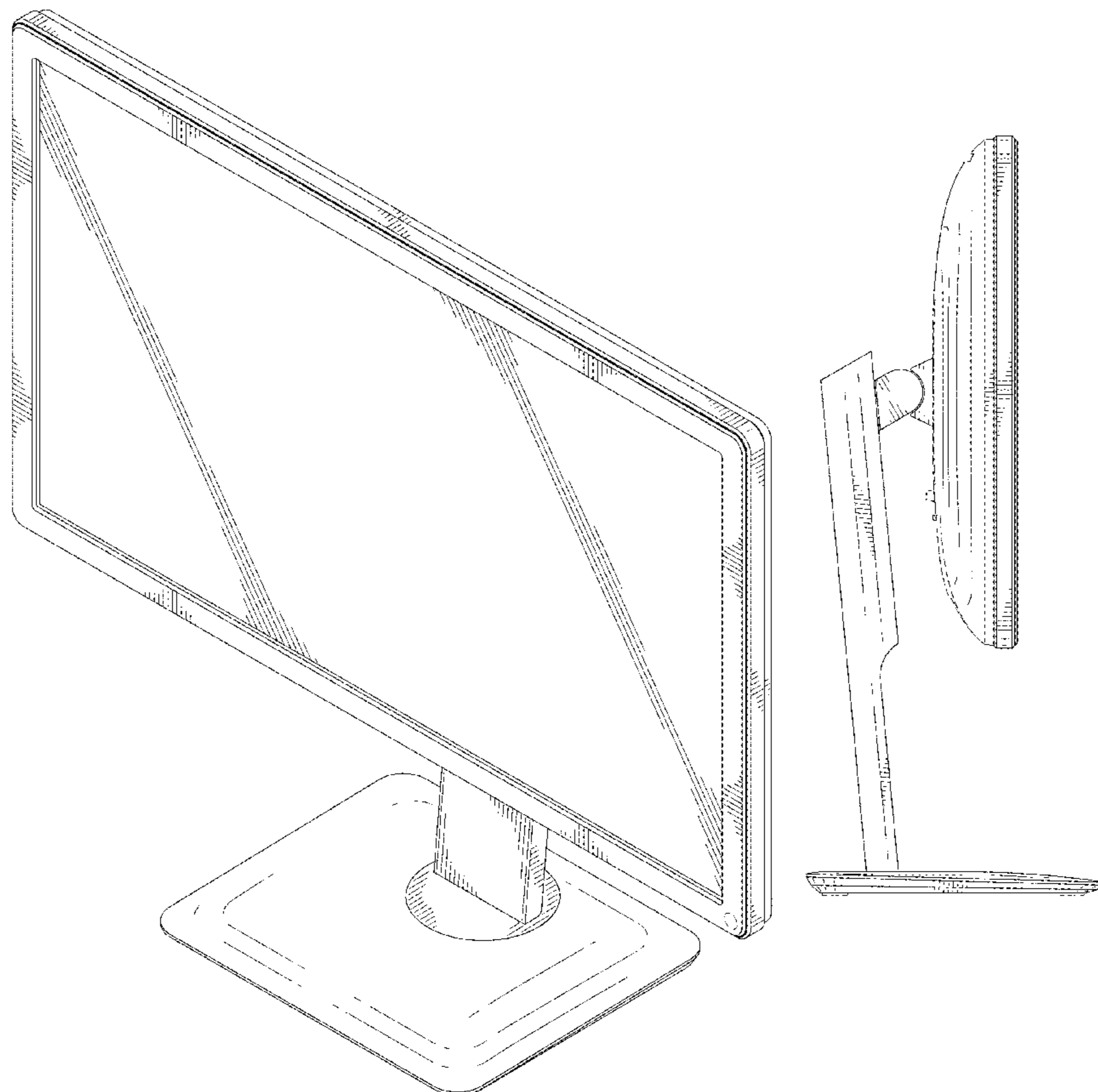
(57) **CLAIM**

We claim the ornamental design for a display device, as shown and described.

DESCRIPTION

FIG. 1 is a front perspective view of the display device comprising the present invention;
 FIG. 2 is a front view thereof;
 FIG. 3 is a rear view thereof;
 FIG. 4 is a left side view thereof;
 FIG. 5 is a right side view thereof;
 FIG. 6 is a top view thereof;
 FIG. 7 is a bottom view thereof; and,
 FIG. 8 is a rear perspective view thereof.
 Broken lines shown in the drawings illustrate portions of the display device, and form no part of the claimed design.

1 Claim, 6 Drawing Sheets



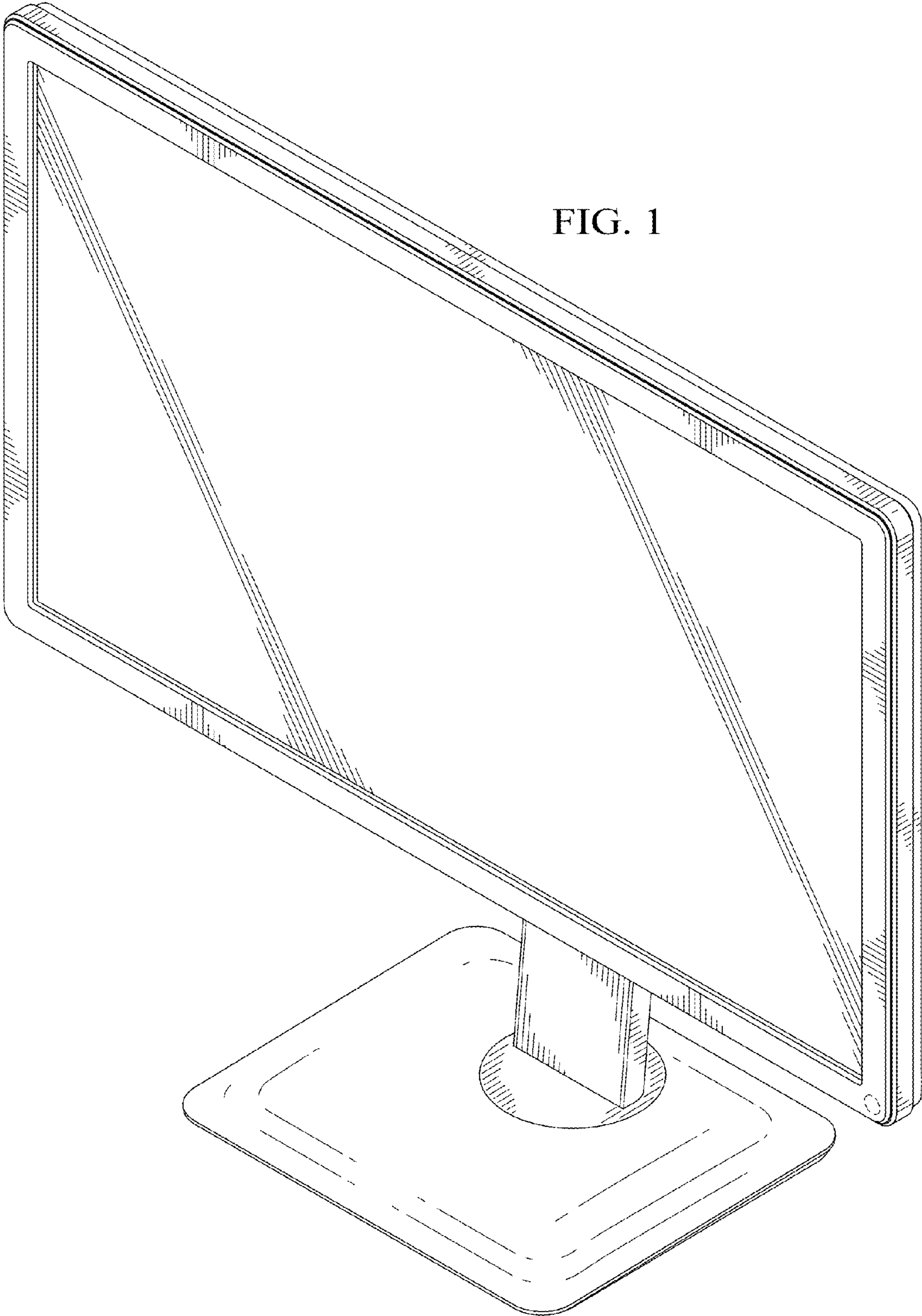


FIG. 1

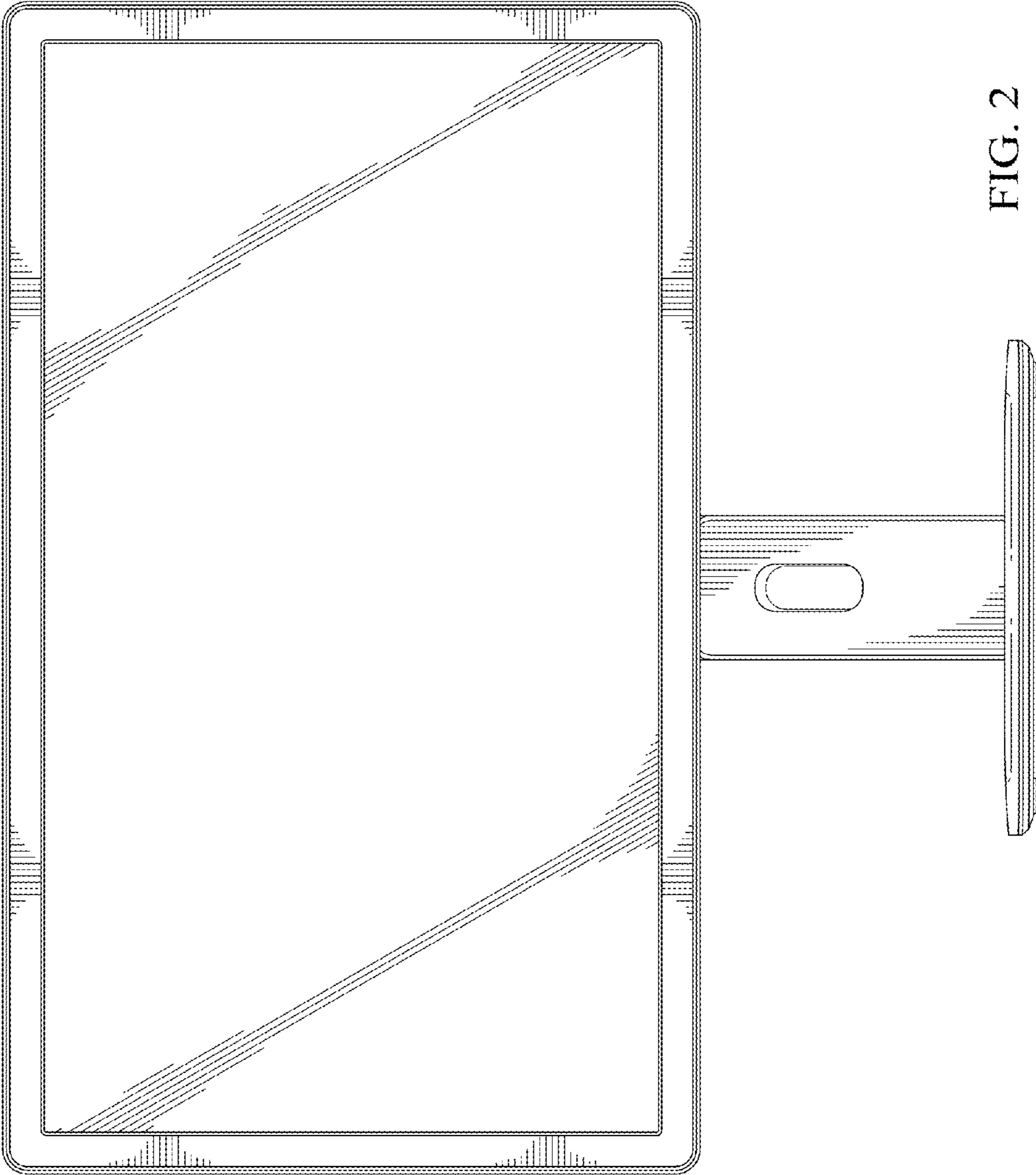


FIG. 2

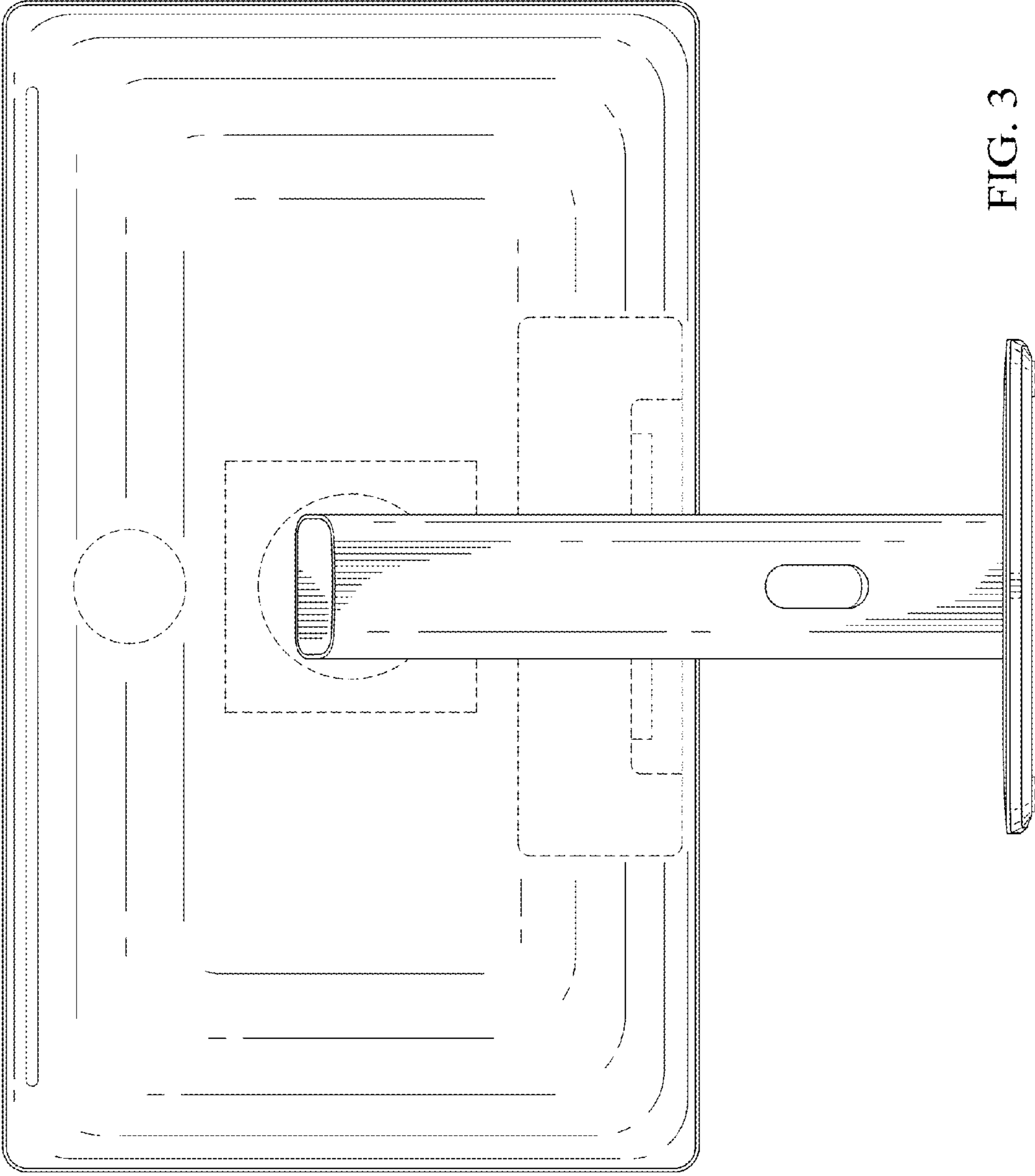


FIG. 3

FIG. 5

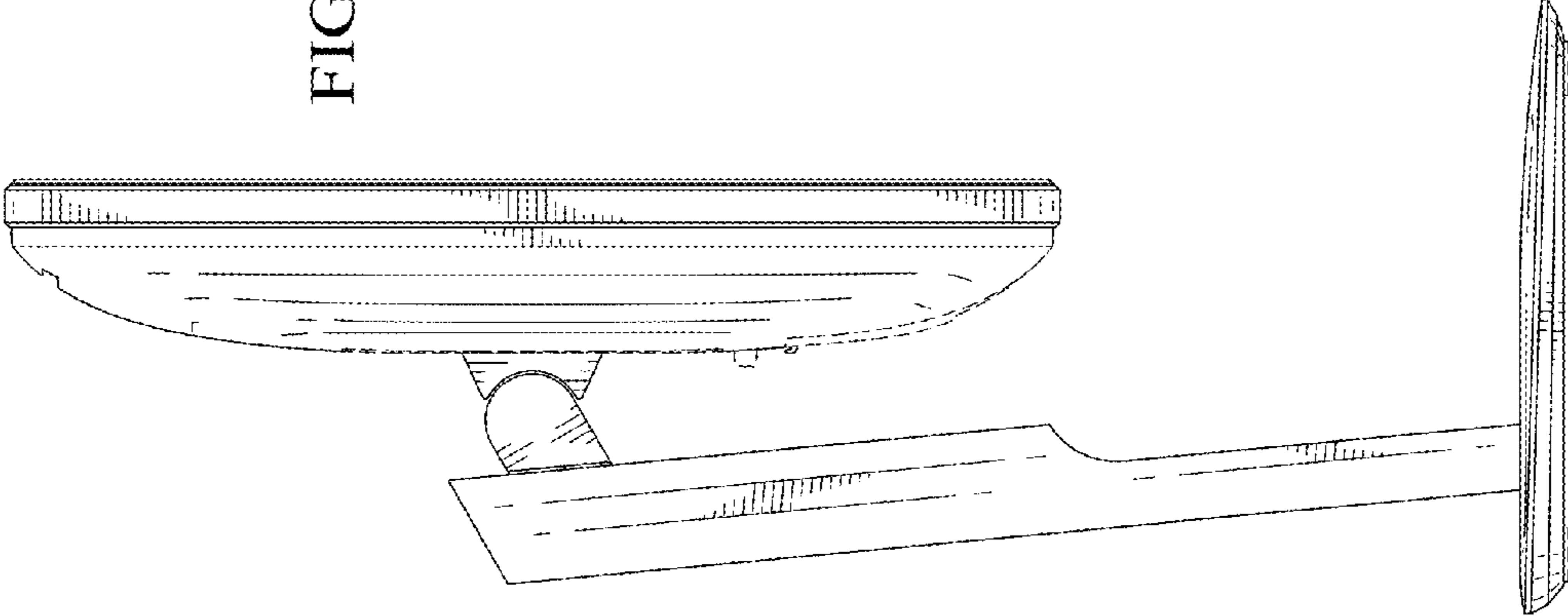
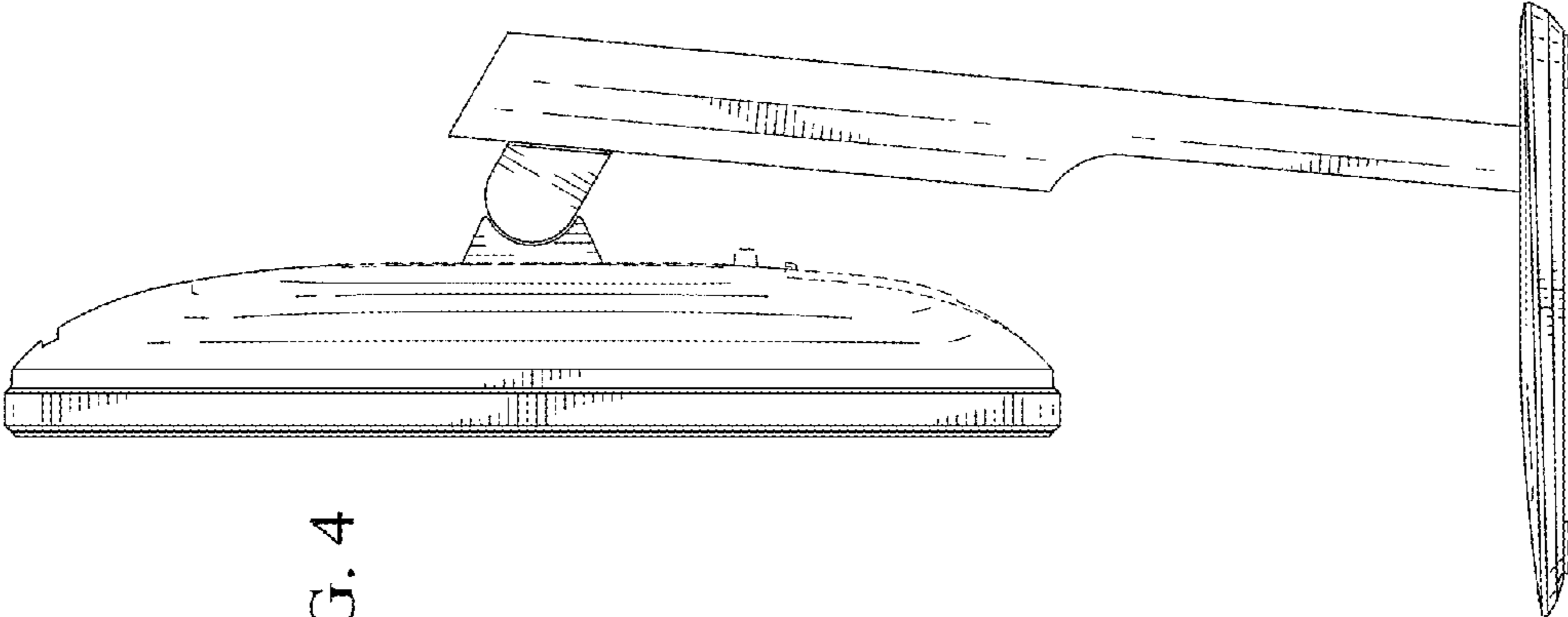
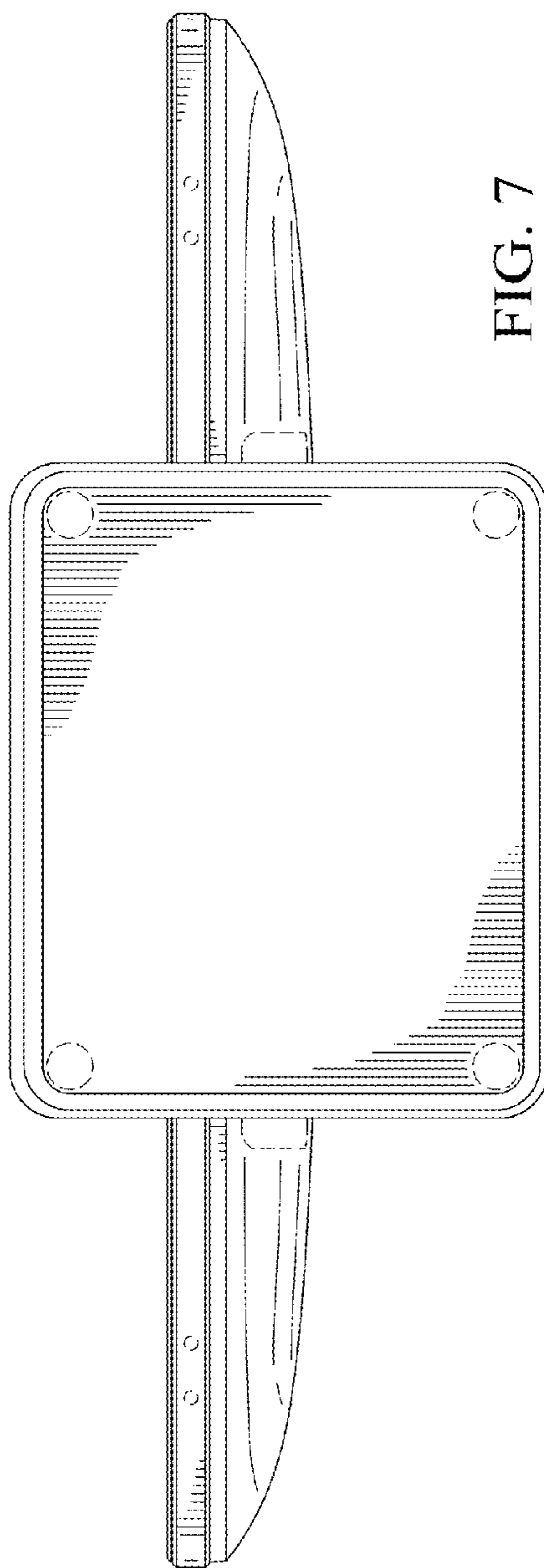
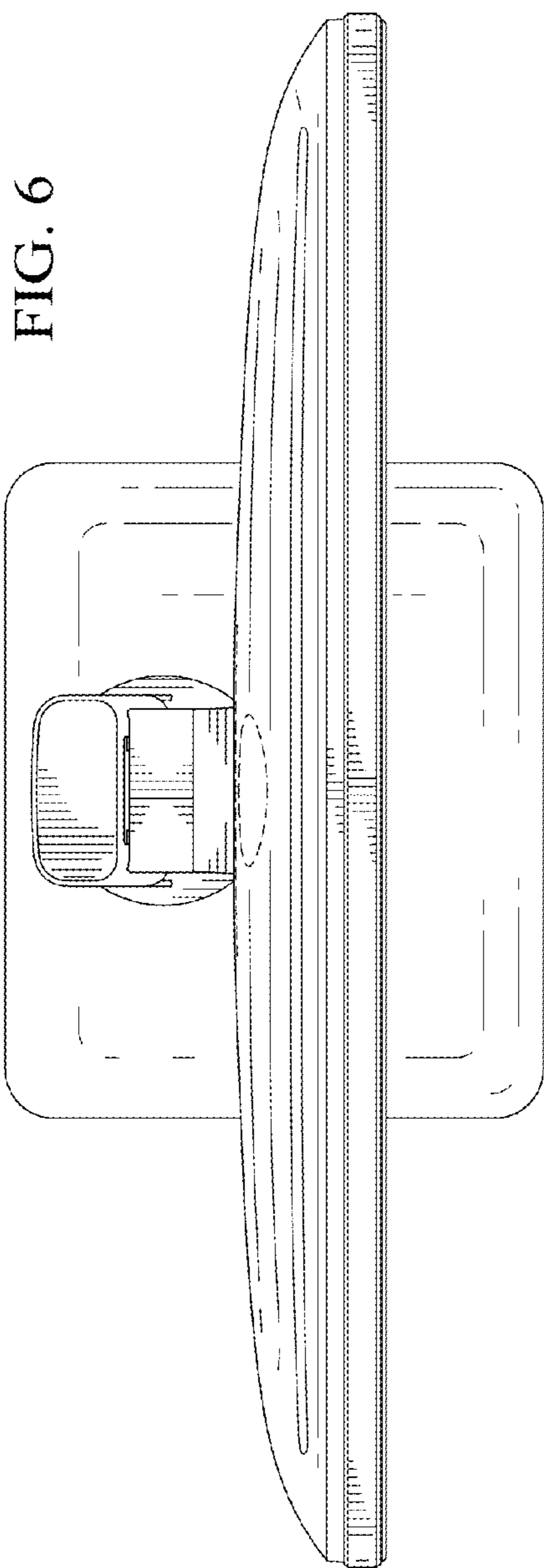


FIG. 4





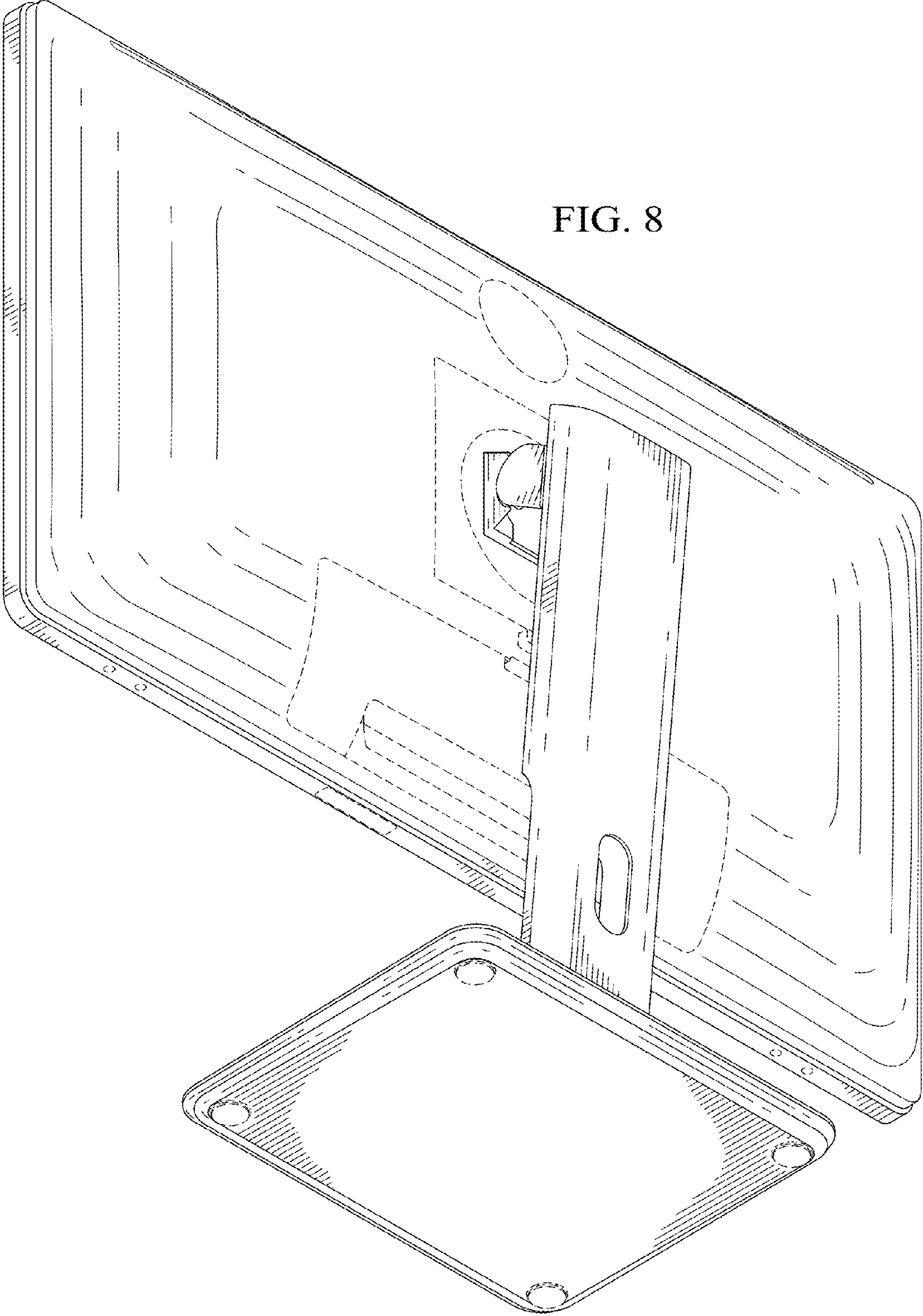


FIG. 8