



US00D726716S

(12) **United States Design Patent**
Green et al.

(10) **Patent No.:** **US D726,716 S**
(45) **Date of Patent:** **** *Apr. 14, 2015**

(54) **ELECTRONIC TABLET DEVICE**

(71) Applicant: **Amazon Technologies, Inc.**, Reno, NV
(US)

(72) Inventors: **Christopher Green**, San Francisco, CA
(US); **Kam Sheng Leang**, Pacifica, CA
(US); **Jonathan Howard Biddle**, San
Francisco, CA (US); **Shih-Tao Chang**,
Sunnyvale, CA (US)

(73) Assignee: **Amazon Technologies, Inc.**, Seattle, WA
(US)

(*) Notice: This patent is subject to a terminal dis-
claimer.

(**) Term: **14 Years**

(21) Appl. No.: **29/466,816**

(22) Filed: **Sep. 11, 2013**

(51) **LOC (10) Cl.** **14-02**

(52) **U.S. Cl.**
USPC **D14/341**

(58) **Field of Classification Search**

USPC D14/341-347, 137, 138 R, 138 AA,
D14/138 C, 138 G, 496, 203.1, 203.3, 203.4,
D14/203.7, 129, 130, 147, 218, 248, 389,
D14/388, 426, 420; D10/65, 104.1;
D18/6-7; D21/324, 329, 330;
455/556.1, 556.2, 566, 575.1, 90.3;
379/433.04, 433.01, 433.06, 916;
345/173, 901, 905; 361/679.26, 679.3,
361/679.55, 679.56

See application file for complete search history.

(56) **References Cited**

U.S. PATENT DOCUMENTS

D617,793 S * 6/2010 Chiang et al. D14/341
D633,461 S * 3/2011 Kim et al. D14/138 AD
D639,266 S * 6/2011 DeLorenzo et al. D14/142
D654,074 S * 2/2012 Wood et al. D14/341
D663,281 S * 7/2012 Hwang D14/138 G

D663,298 S * 7/2012 Song et al. D14/341
D667,397 S * 9/2012 Koh D14/341
D667,399 S * 9/2012 Koh D14/341
D668,650 S * 10/2012 Han D14/341
D668,651 S * 10/2012 Kim et al. D14/341
D669,468 S * 10/2012 Akana et al. D14/341

(Continued)

OTHER PUBLICATIONS

The Canadian Office Action mailed Aug. 19, 2014 for Canadian
design application No. 155331, a counterpart foreign application of
Design U.S. Appl. No. 29/466,816, 1 page.

(Continued)

Primary Examiner — Barbara Fox

(74) *Attorney, Agent, or Firm* — Lee & Hayes, PLLC

(57) **CLAIM**

The ornamental design for an electronic tablet device, as
shown and described.

DESCRIPTION

FIG. 1 is a first perspective view of an electronic tablet device
showing the new design, taken from above;

FIG. 2 is a second perspective view of the electronic tablet
device of FIG. 1, taken from below;

FIG. 3 is a top plan view of the electronic tablet device of FIG.
1;

FIG. 4 is a bottom plan view of the electronic tablet device of
FIG. 1;

FIG. 5 is a back elevation view of the electronic tablet device
of FIG. 1;

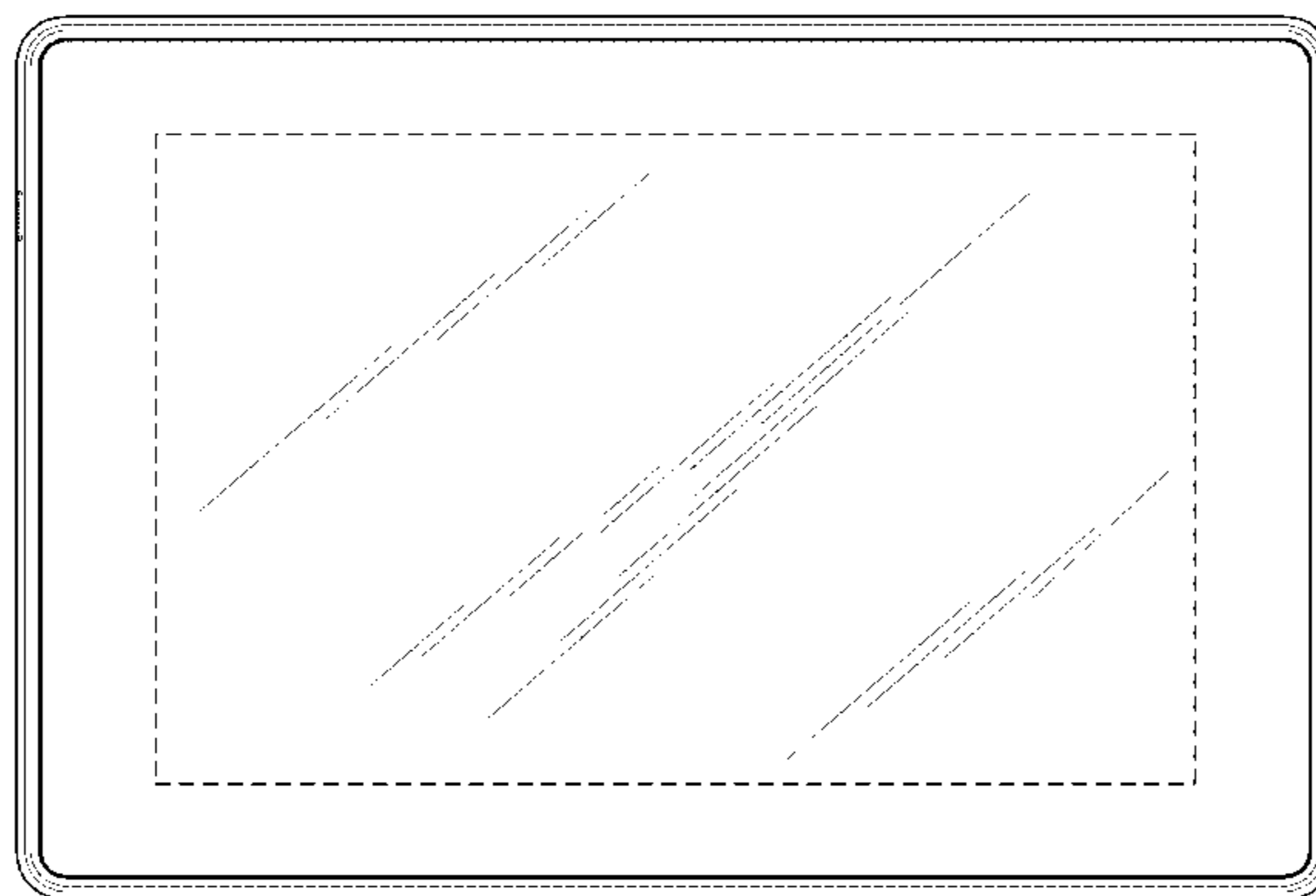
FIG. 6 is a front elevation view of the electronic tablet device
of FIG. 1;

FIG. 7 is a left-side elevation view of the electronic tablet
device of FIG. 1; and,

FIG. 8 is a right-side elevation view of the electronic tablet
device of FIG. 1.

The broken lines shown in the drawings represent portions of
the electronic tablet device which form no part of the claimed
design.

1 Claim, 6 Drawing Sheets



(56)

References Cited

U.S. PATENT DOCUMENTS

D670,286	S	*	11/2012	Akana et al.	D14/341
D670,692	S	*	11/2012	Akana et al.	D14/341
D671,514	S	*	11/2012	Kim et al.	D14/138 G
D671,940	S	*	12/2012	Kim	D14/374
D675,203	S	*	1/2013	Yang	D14/341
D677,255	S	*	3/2013	McManigal et al.	D14/341
D677,660	S	*	3/2013	Groene et al.	D14/341
D678,271	S	*	3/2013	Chiu	D14/341
D679,706	S	*	4/2013	Tang et al.	D14/341
D684,969	S	*	6/2013	Smith et al.	D14/341
D687,032	S	*	7/2013	Sanjo et al.	D14/341
D687,820	S	*	8/2013	Kim	D14/341
D687,823	S	*	8/2013	Ryu et al.	D14/341
D687,824	S	*	8/2013	Chun et al.	D14/341
D687,827	S	*	8/2013	Song et al.	D14/341
D689,481	S	*	9/2013	Song et al.	D14/341
D689,482	S	*	9/2013	Akana et al.	D14/341
D690,297	S	*	9/2013	Chang et al.	D14/341
D690,300	S	*	9/2013	Akana et al.	D14/341
D691,996	S	*	10/2013	Ohshima	D14/341
D692,877	S	*	11/2013	Zuege	D14/341
D693,340	S	*	11/2013	Ohshima	D14/341
D694,212	S	*	11/2013	Yuu et al.	D14/138 G
D695,249	S	*	12/2013	Kim et al.	D14/138 G
D695,250	S	*	12/2013	Kim et al.	D14/138 G
D696,246	S	*	12/2013	Kim	D14/341
D696,250	S	*	12/2013	Wang et al.	D14/341
D701,202	S	*	3/2014	Choi	D14/341
D702,229	S	*	4/2014	Lim et al.	D14/341
D702,233	S	*	4/2014	Lee et al.	D14/341
D704,186	S	*	5/2014	Bajwa et al.	D14/341
D705,779	S	*	5/2014	Akana et al.	D14/341

OTHER PUBLICATIONS

The Canadian Office Action mailed Aug. 19, 2014 for Canadian design application No. 155330, a counterpart foreign application of Design U.S. Appl. No. 29/466,811, 1 page.

The Canadian Office Action mailed Aug. 19, 2014 for Canadian design application No. 155329, a counterpart foreign application of Design U.S. Appl. No. 29/466,805, 1 page.

Translated Indian Office Action mailed Jun. 12, 2014 for Indian patent application No. 260866, a counterpart foreign application of U.S. Appl. No. 29/466,805, 27 pages.

Translated Indian Office Action mailed Jun. 12, 2014 for Indian patent application No. 260867, a counterpart foreign application of U.S. Appl. No. 29/466,811, 27 pages.

The Indian Office Action mailed Jun. 12, 2014 for Indian design application No. 260868, a counterpart foreign application of Design U.S. Appl. No. 29/466,816, 11 pages.

Translated Office Action mailed Jul. 4, 2014 for Japanese design application No. 2014-004973, a counterpart foreign application of Design U.S. Appl. No. 29/466,811, 5 pages.

Translated Office Action mailed Jul. 4, 2014 for Japanese design application No. 2014-004972, a counterpart foreign application of Design U.S. Appl. No. 29/466,805, 5 pages.

Translated Japanese Office Action mailed Jul. 4, 2014 for Japanese design application No. 2014-004974, a counterpart foreign application of Design U.S. Appl. No. 29/466,816, 5 pages.

The Korean Office Action mailed Aug. 1, 2014 for Korean design application No. 30-2014-12014, a counterpart foreign application of Design U.S. Appl. No. 29/466,811, 2 pages.

* cited by examiner

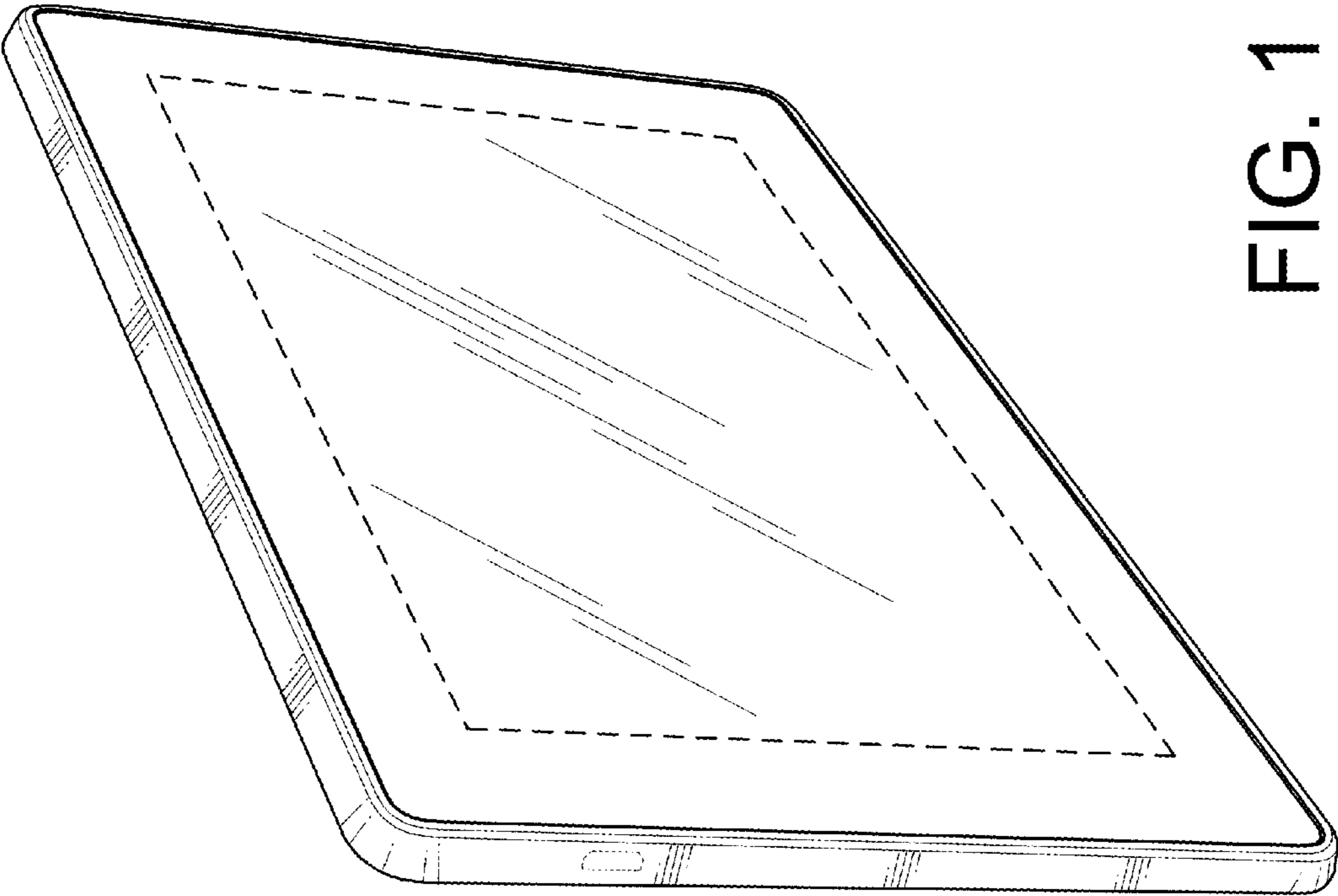


FIG. 1

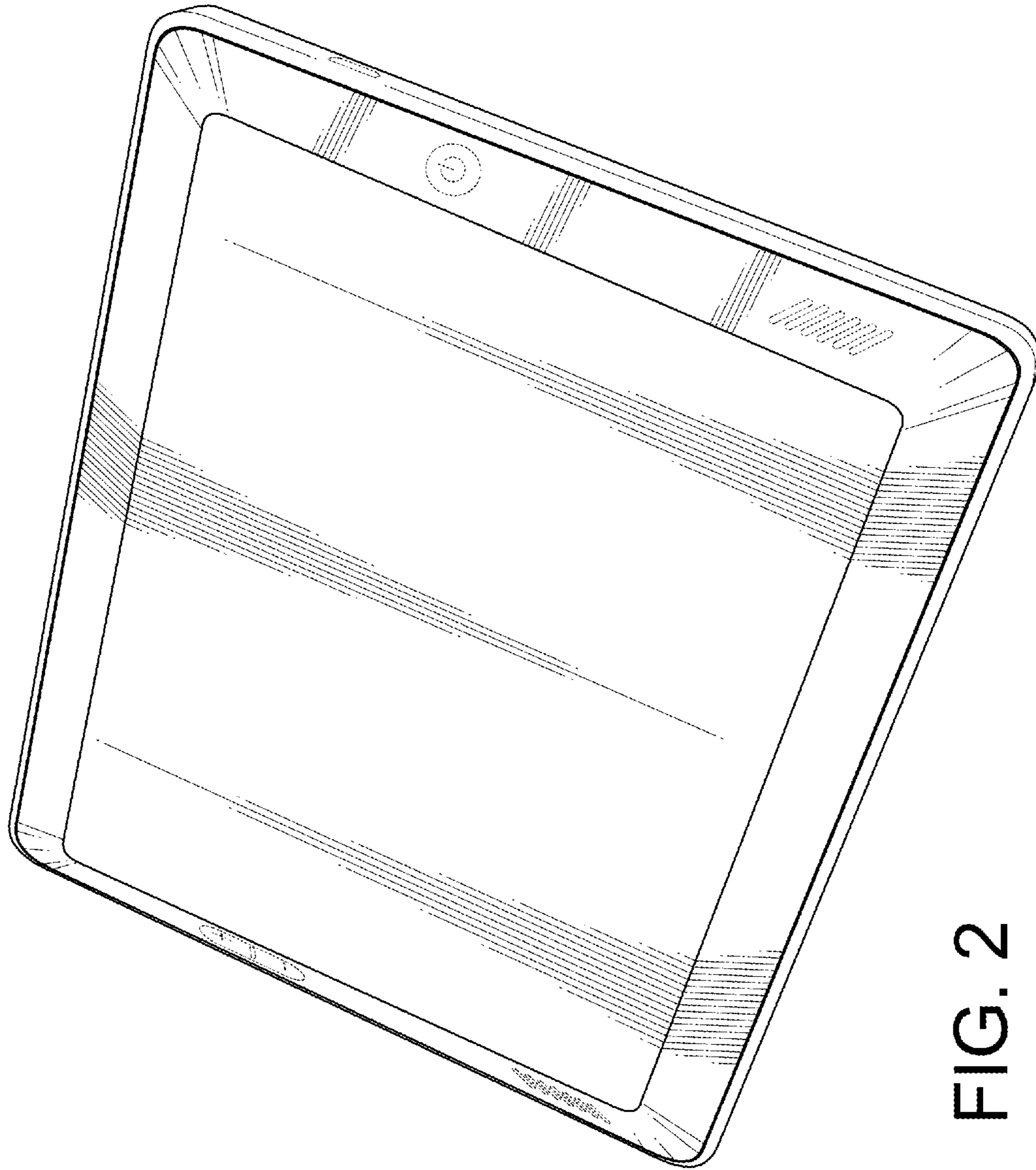


FIG. 2

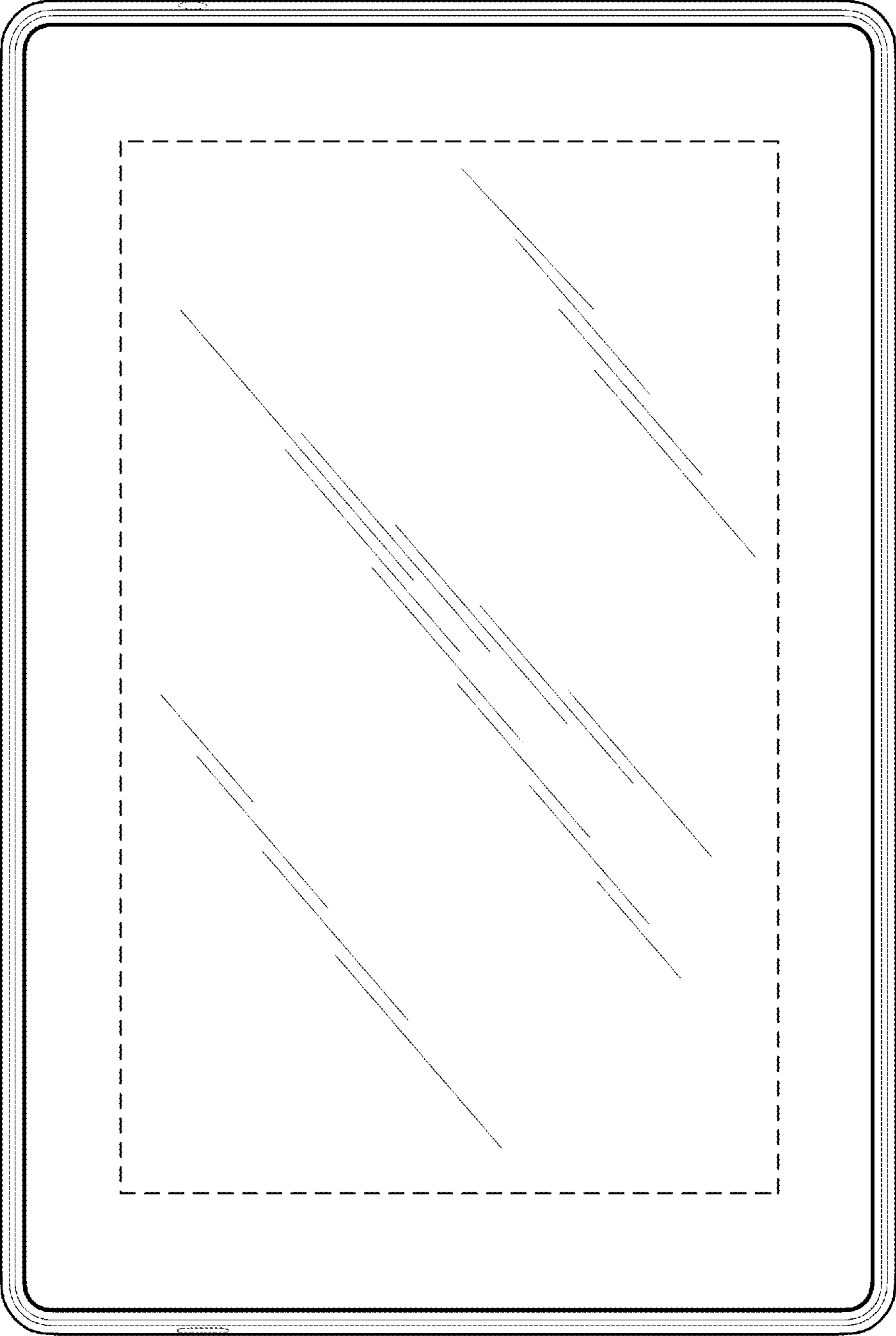


FIG. 3

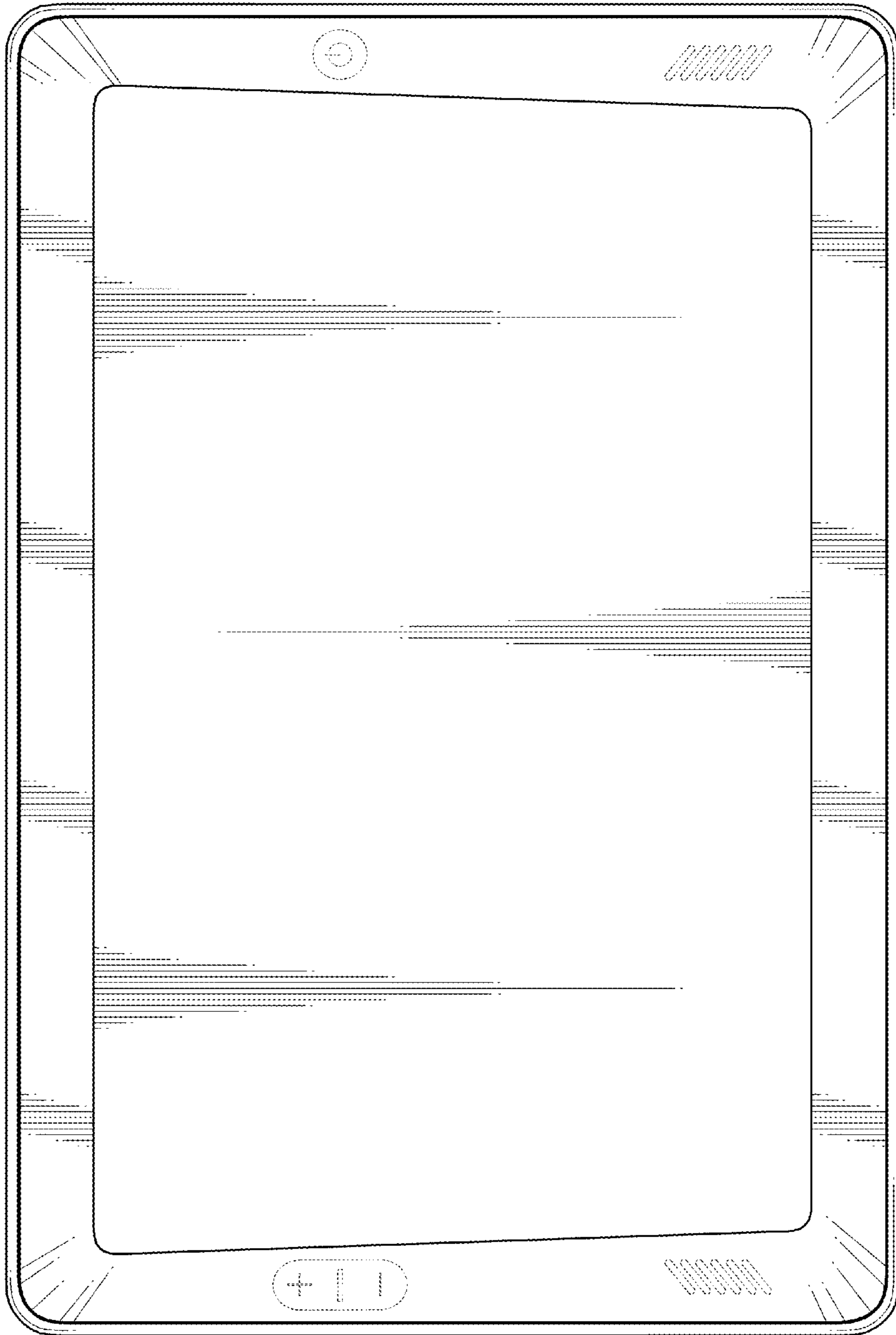


FIG. 4

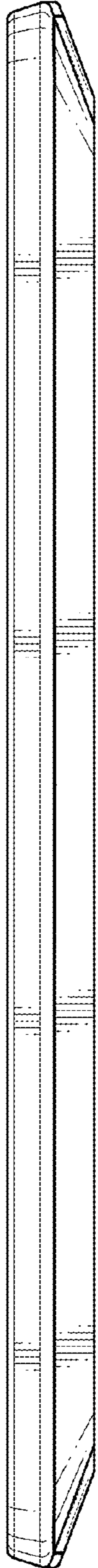


FIG. 5

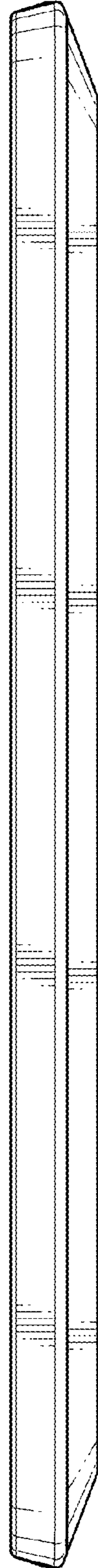


FIG. 6

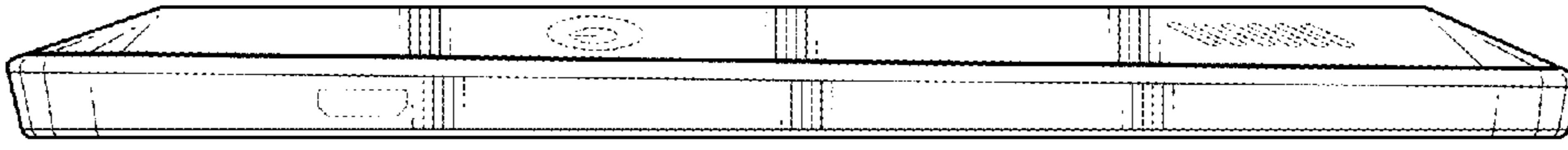


FIG. 8

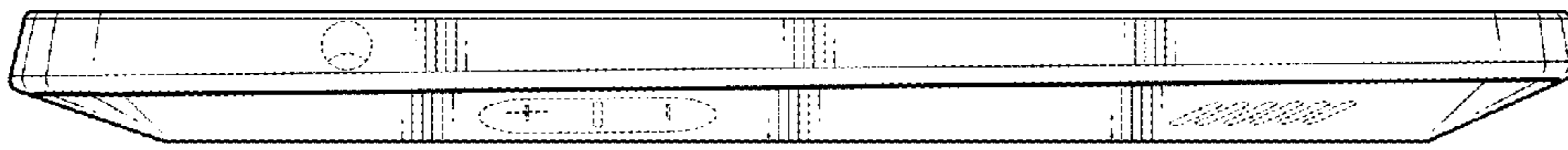


FIG. 7