



US00D726715S

(12) **United States Design Patent**
Sung et al.

(10) **Patent No.:** **US D726,715 S**
(45) **Date of Patent:** **** Apr. 14, 2015**

(54) **NOTEBOOK COMPUTER**

(71) Applicant: **Samsung Electronics Co., Ltd.**,
Suwon-Si (KR)

(72) Inventors: **Whan Oh Sung**, Seoul (KR); **Jooyeon Lee**, Gunposi (KR); **Kyu Eun Hwang**, Seoul (KR); **Yongkeun Lee**, Seoul (KR); **Jochen Backs**, San Francisco, CA (US)

(73) Assignee: **Samsung Electronics Co., Ltd.**,
Suwon-si (KR)

(**) Term: **14 Years**

(21) Appl. No.: **29/466,175**

(22) Filed: **Sep. 5, 2013**

(30) **Foreign Application Priority Data**

Mar. 5, 2013 (KR) 30-2013-0011222

(51) **LOC (10) Cl.** **14-02**

(52) **U.S. Cl.**
USPC **D14/331**

(58) **Field of Classification Search**
USPC D14/315-327, 331; D18/1, 2, 7, 11;
235/145 A, 145 R; 341/22, 23; 345/104,
345/156, 168, 169, 173; 361/679.08,
361/679.09, 679.11, 679.26, 679.27;
379/433.12; 16/341, 367

See application file for complete search history.

(56) **References Cited**

U.S. PATENT DOCUMENTS

D366,032	S	*	1/1996	Soderburg	D14/331
6,775,129	B1	*	8/2004	Ghosh et al.	361/679.27
D551,223	S	*	9/2007	Luminosu et al.	D14/320
D593,091	S	*	5/2009	Behar et al.	D14/371
8,289,688	B2	*	10/2012	Behar et al.	361/679.3
D687,031	S	*	7/2013	Chen et al.	D14/327
2003/0151888	A1	*	8/2003	Chien et al.	361/680
2004/0114319	A1	*	6/2004	Hill et al.	361/683

* cited by examiner

Primary Examiner — Freda S Nunn

(74) *Attorney, Agent, or Firm* — NSIP Law

(57) **CLAIM**

The ornamental design for a notebook computer, as shown and described.

DESCRIPTION

FIG. 1 is a front perspective view of a notebook computer showing our new design;

FIG. 2 is a front view thereof;

FIG. 3 is a rear view thereof;

FIG. 4 is a left-side view thereof;

FIG. 5 is a right-side view thereof;

FIG. 6 is a top view thereof;

FIG. 7 is a bottom view thereof; and,

FIG. 8 is another perspective view in which the notebook computer is shown in a closed position.

FIG. 9 is an exploded view of the notebook computer in which the keyboard is shown outside of the notebook computer; and, FIG. 10 is another right-side view of the notebook computer in which the notebook computer is shown in a fully extended position.

The broken lines are for environmental purposes only and form no part of the claimed design.

1 Claim, 10 Drawing Sheets

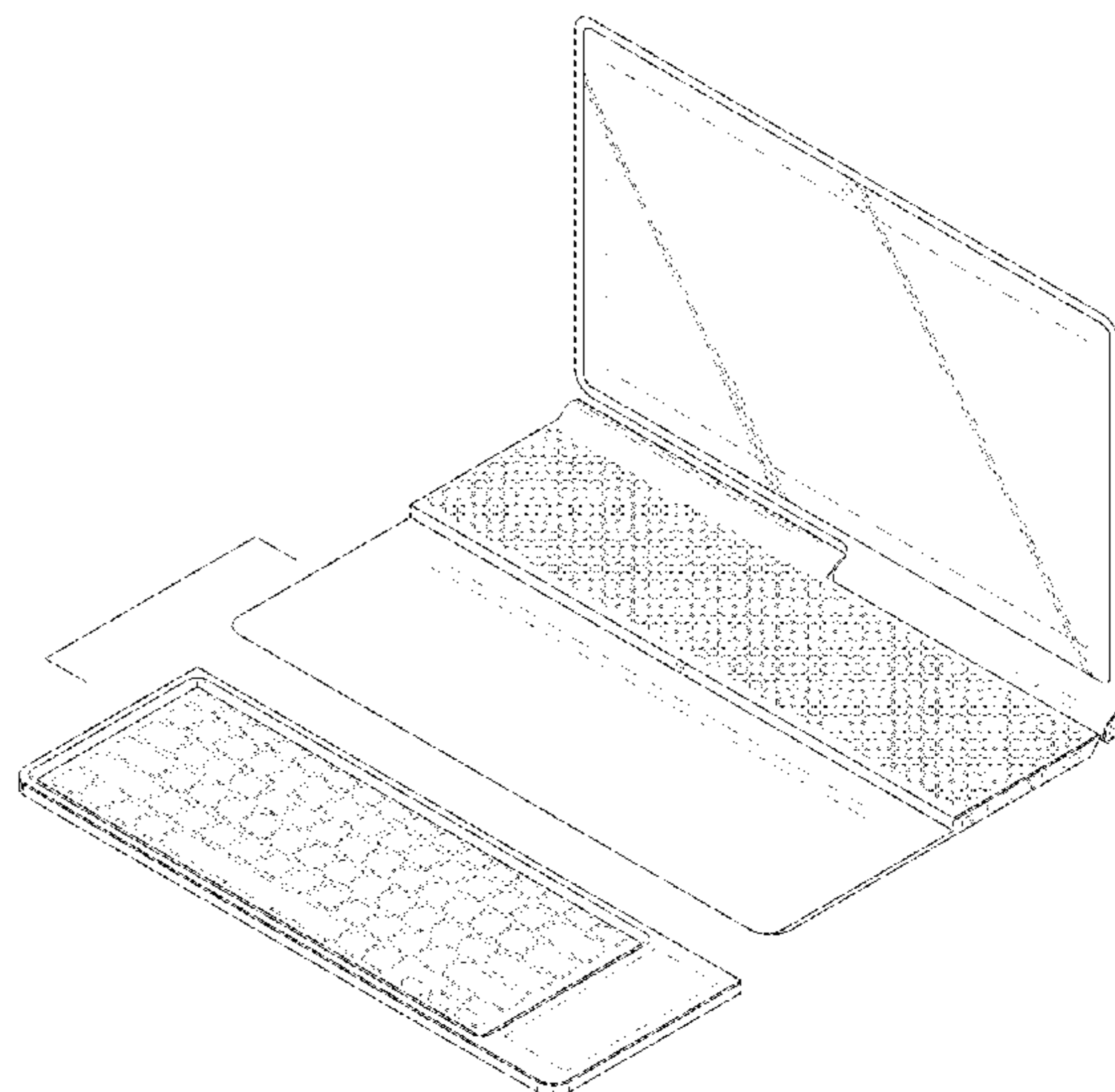
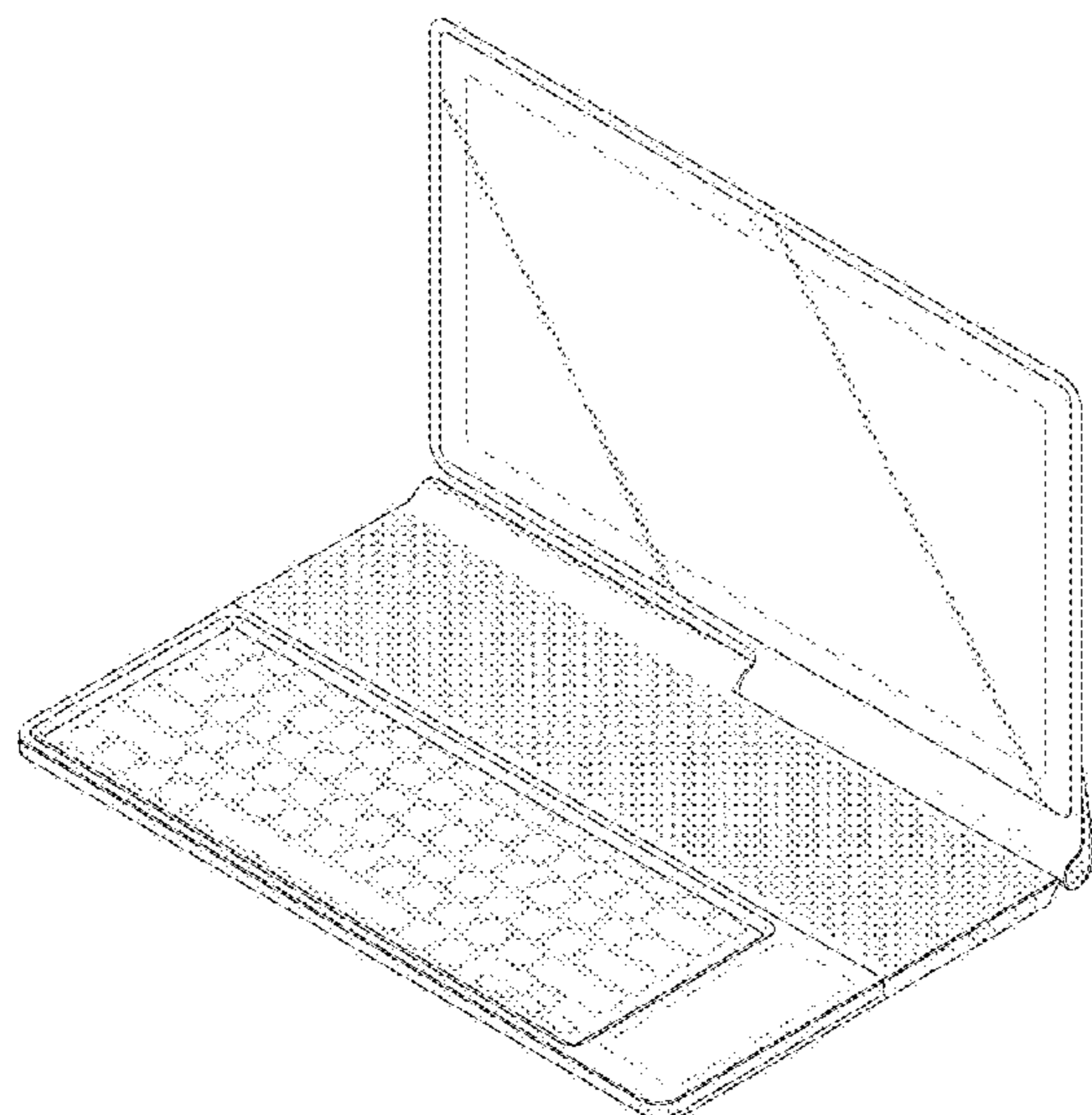


FIG. 1

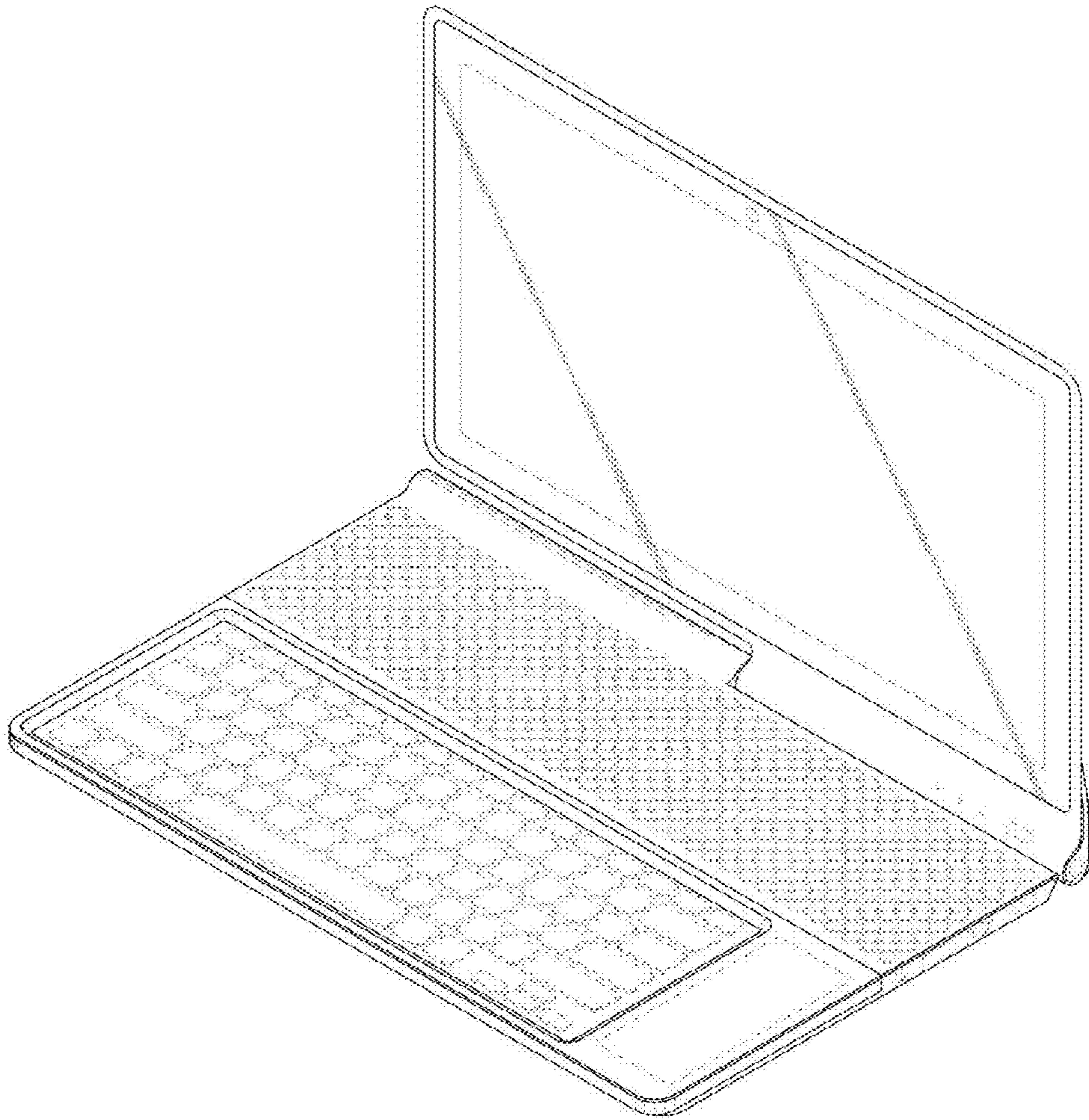


FIG. 2

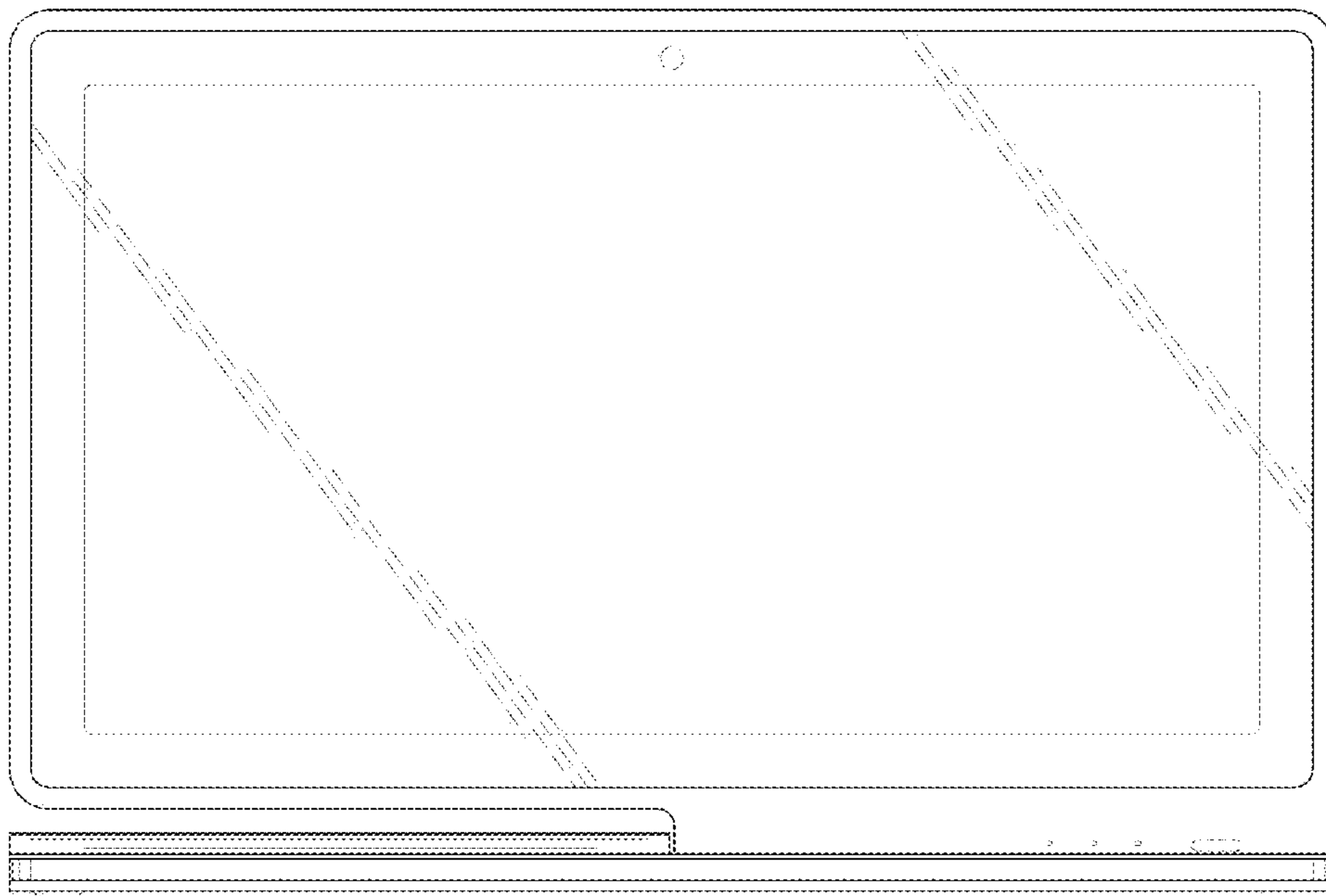


FIG. 3

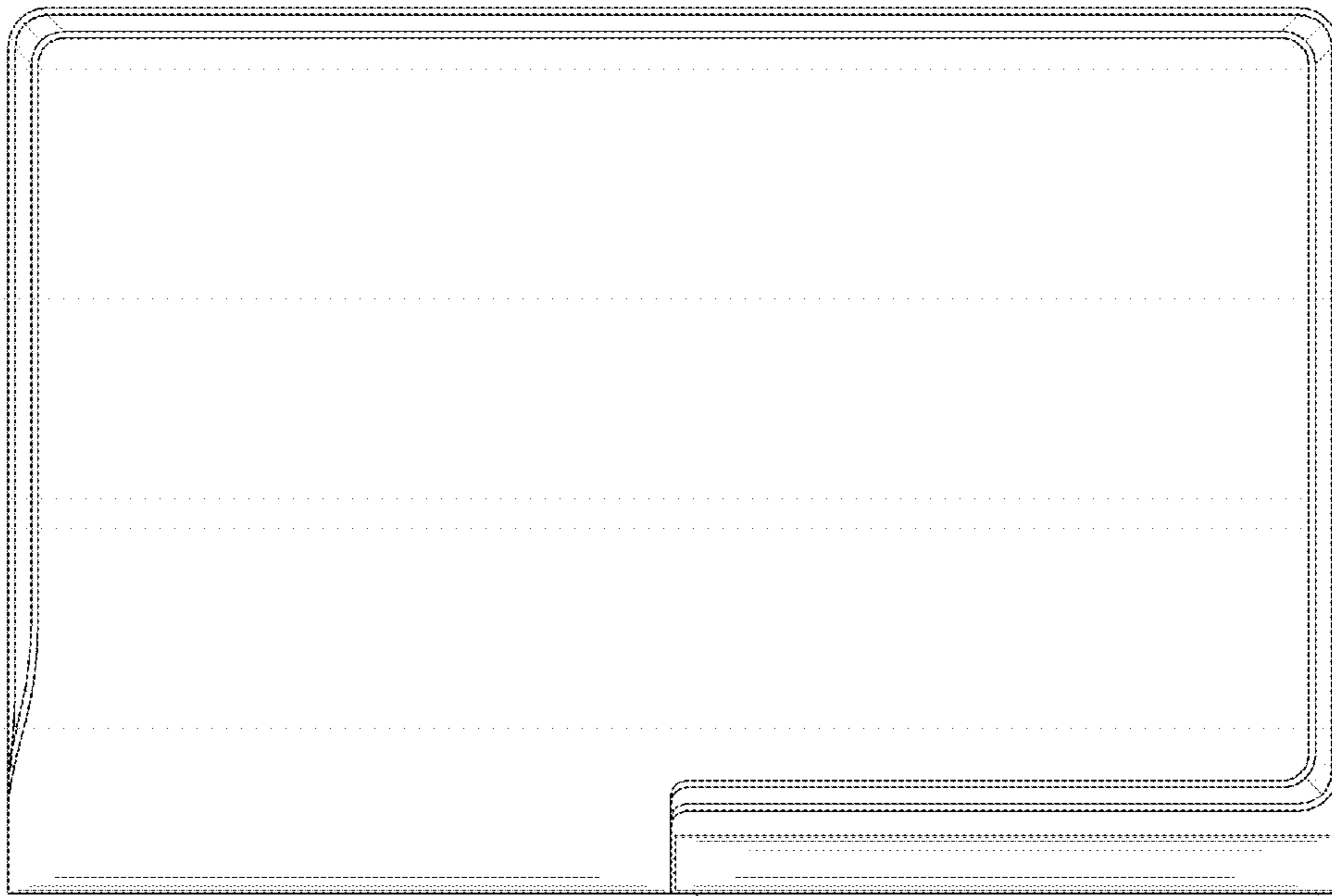


FIG. 4

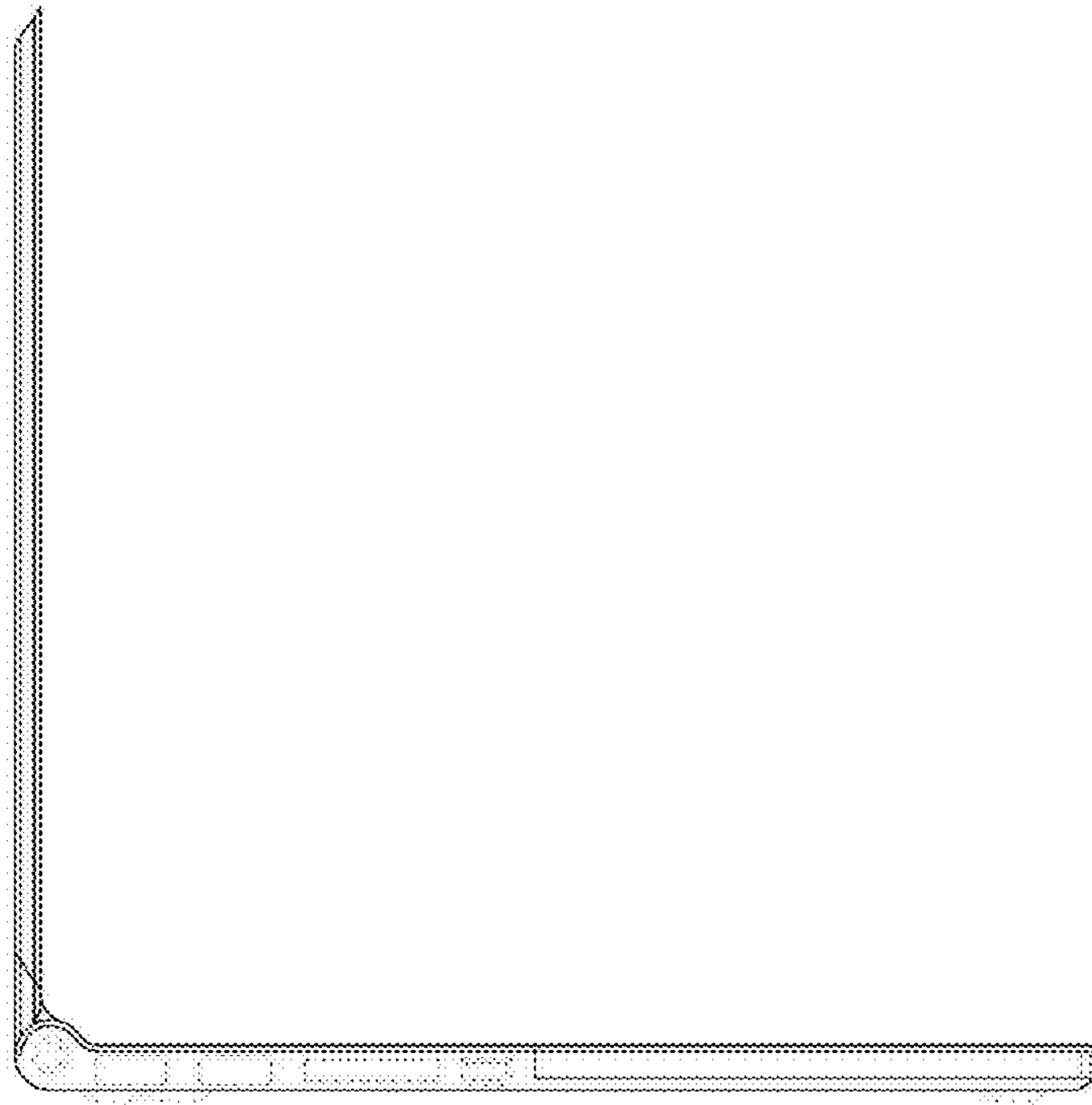


FIG. 5

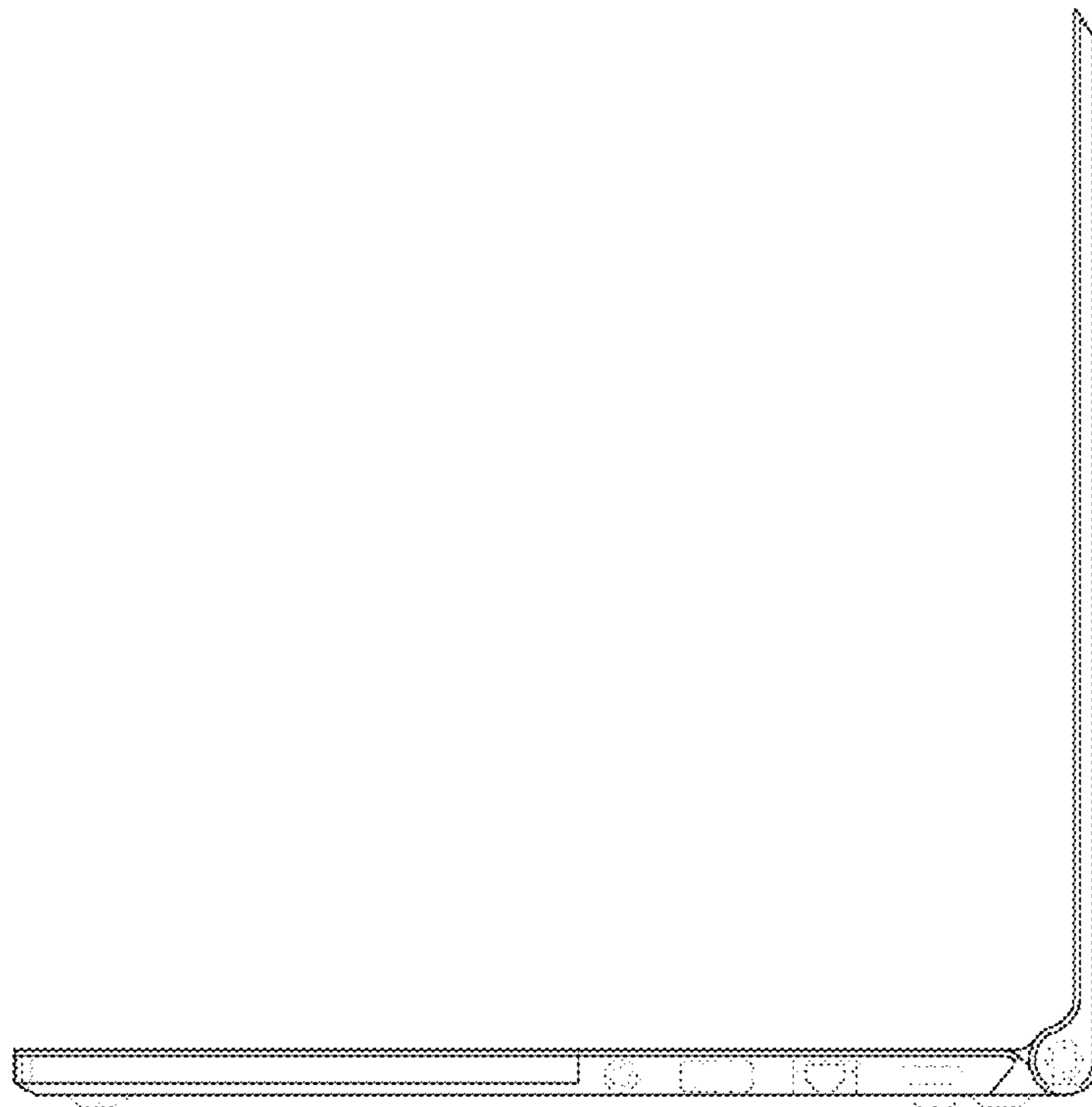


FIG. 6

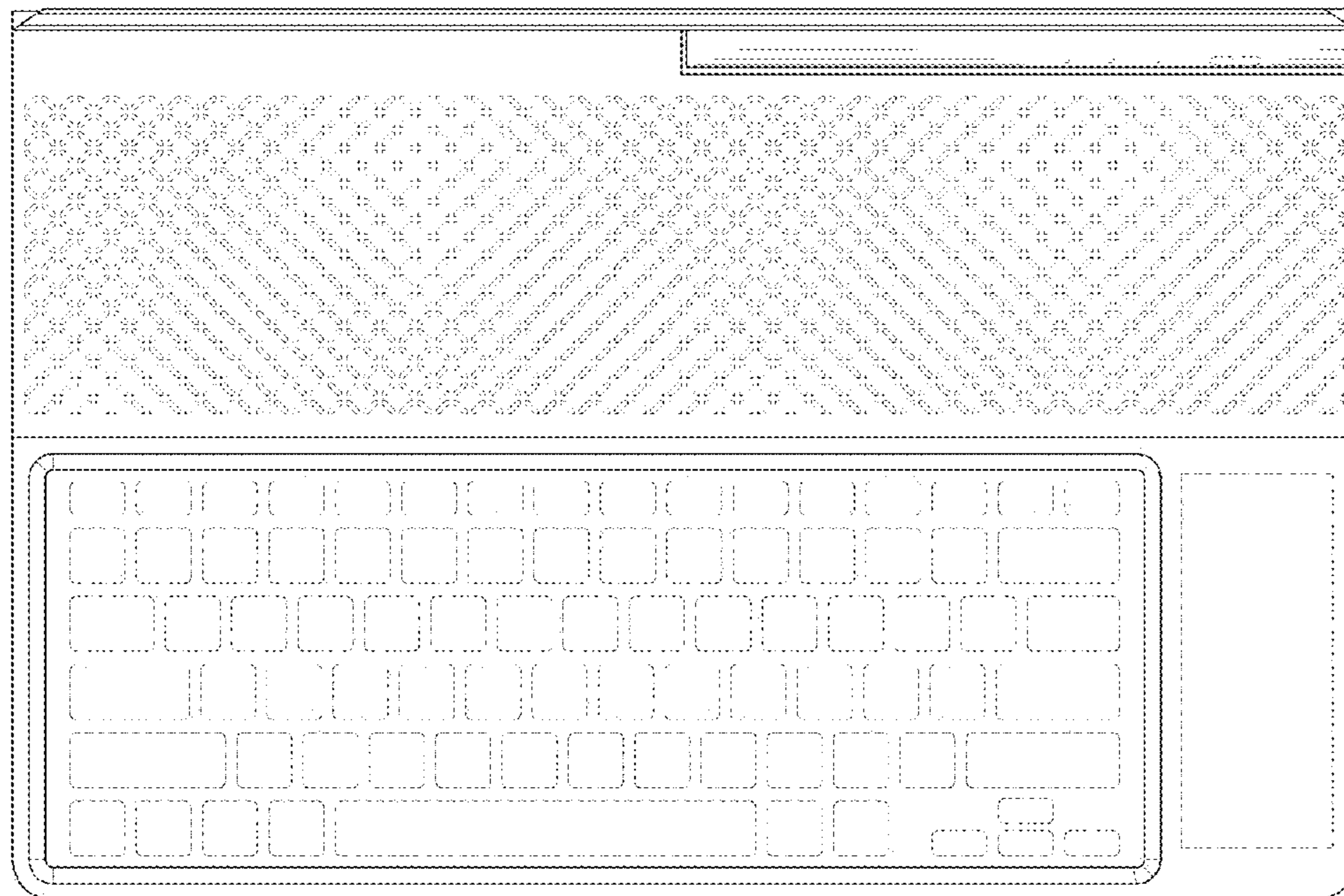


FIG. 7

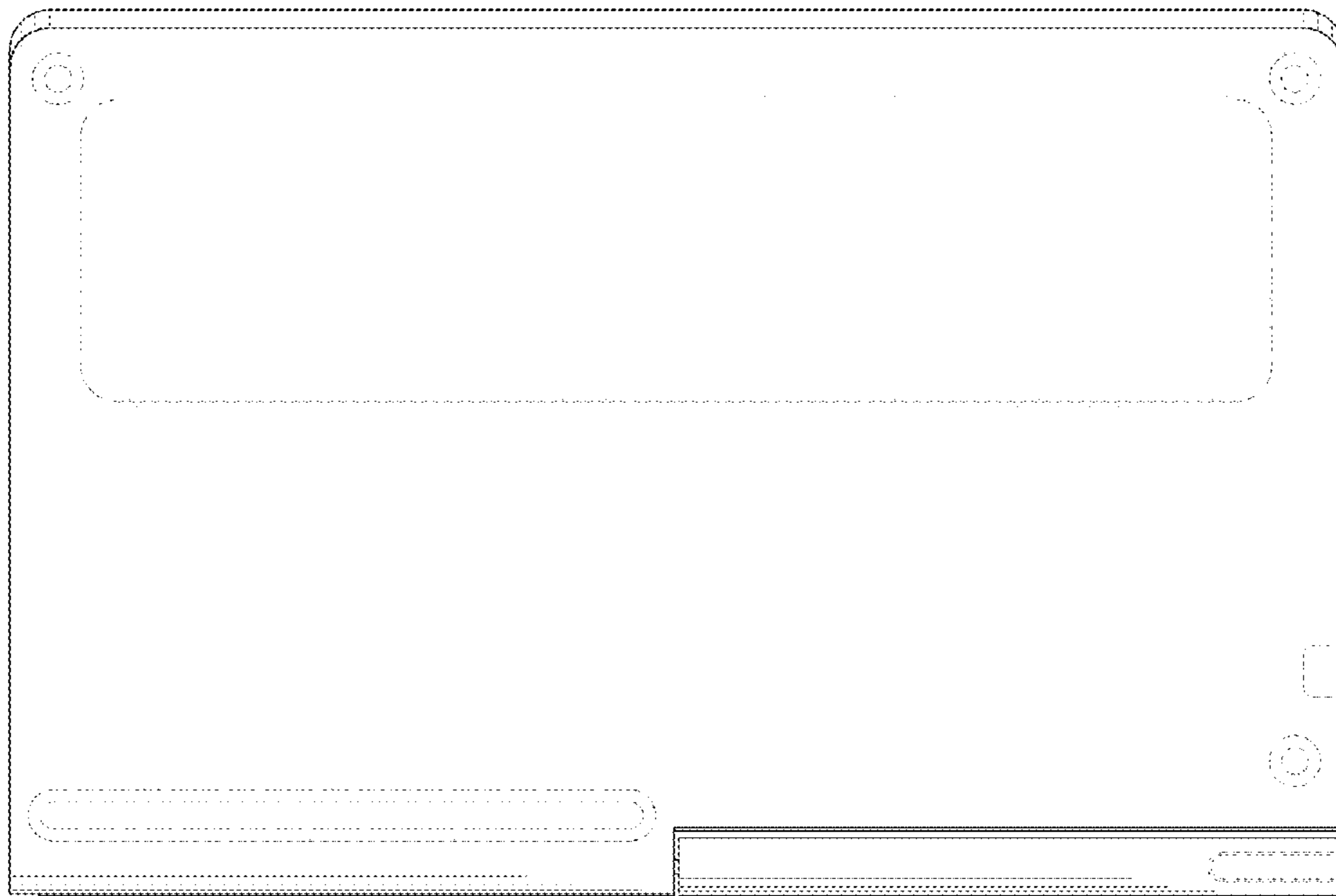


FIG. 8

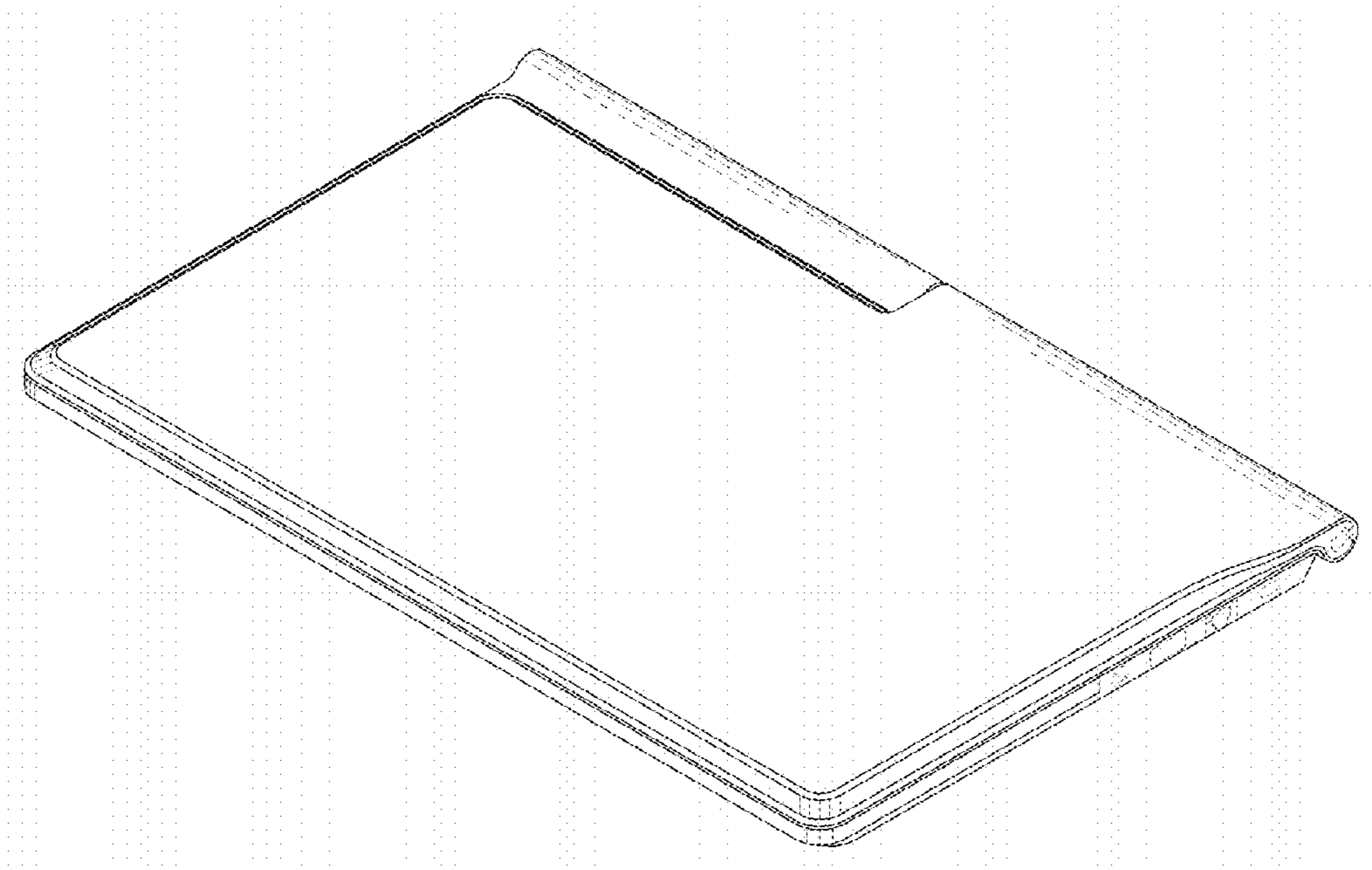


FIG. 9

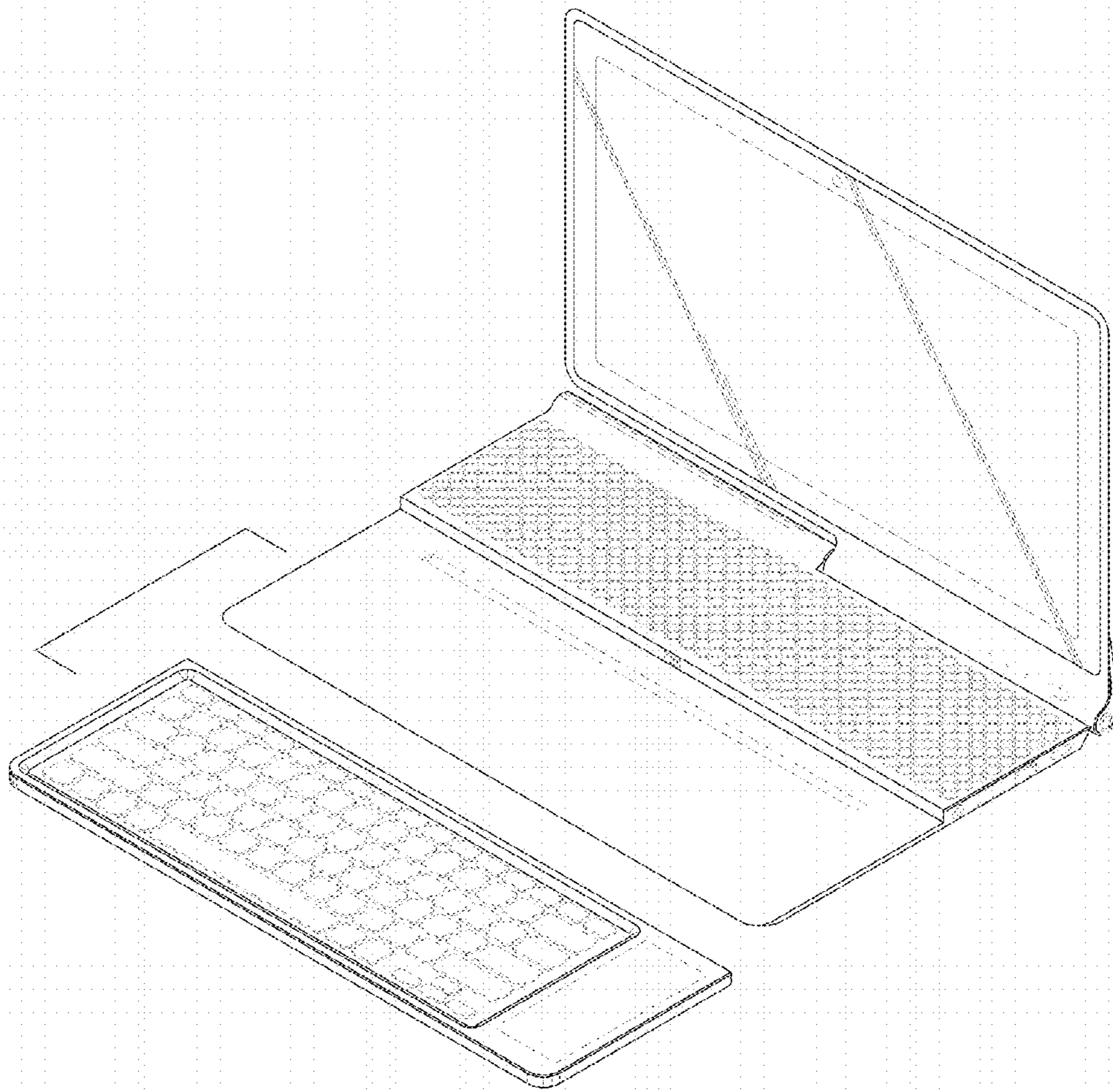


FIG. 10

