



US00D726710S

(12) **United States Design Patent**
Lee et al.

(10) **Patent No.:** **US D726,710 S**
(45) **Date of Patent:** **** Apr. 14, 2015**

(54) **NOTEBOOK COMPUTER**

(56) **References Cited**

(71) Applicant: **Samsung Electronics, Ltd.**, Suwon-Si (KR)

U.S. PATENT DOCUMENTS

(72) Inventors: **Jooyeon Lee**, Gunposi (KR); **Kyu Eun Hwang**, Seoul (KR); **Whan Oh Sung**, Seoul (KR); **Youngkeun Lee**, Seoul (KR); **Jochen Backs**, San Francisco, CA (US)

6,129,430	A *	10/2000	Wu	312/223.2
6,392,639	B1 *	5/2002	Lee et al.	345/179
D596,668	S *	7/2009	Ehara et al.	D19/55
D623,650	S *	9/2010	Ishibashi et al.	D14/411
7,825,913	B2 *	11/2010	Solomon et al.	345/179
8,390,602	B2 *	3/2013	Liang	345/179
8,405,641	B2 *	3/2013	Tseng	345/179
2002/0003532	A1 *	1/2002	Huat	345/179
2005/0128693	A1 *	6/2005	Itoh et al.	361/683
2007/0115618	A1 *	5/2007	Love	361/679
2009/0153524	A1 *	6/2009	Tang et al.	345/179
2010/0084202	A1 *	4/2010	Selin et al.	178/19.01
2011/0157100	A1 *	6/2011	Hsieh et al.	345/179

(73) Assignee: **Samsung Electronics Co., Ltd.**, Suwon-si (KR)

* cited by examiner

(**) Term: **14 Years**

Primary Examiner — Freda S Nunn
(74) *Attorney, Agent, or Firm* — NSIP Law

(21) Appl. No.: **29/466,223**

(22) Filed: **Sep. 5, 2013**

(57) **CLAIM**

The ornamental design for a notebook computer, as shown and described.

(30) **Foreign Application Priority Data**

DESCRIPTION

Mar. 5, 2013 (KR) 30-2013-0011219

(51) **LOC (10) Cl.** **14-02**

(52) **U.S. Cl.**
USPC **D14/315**; D14/411

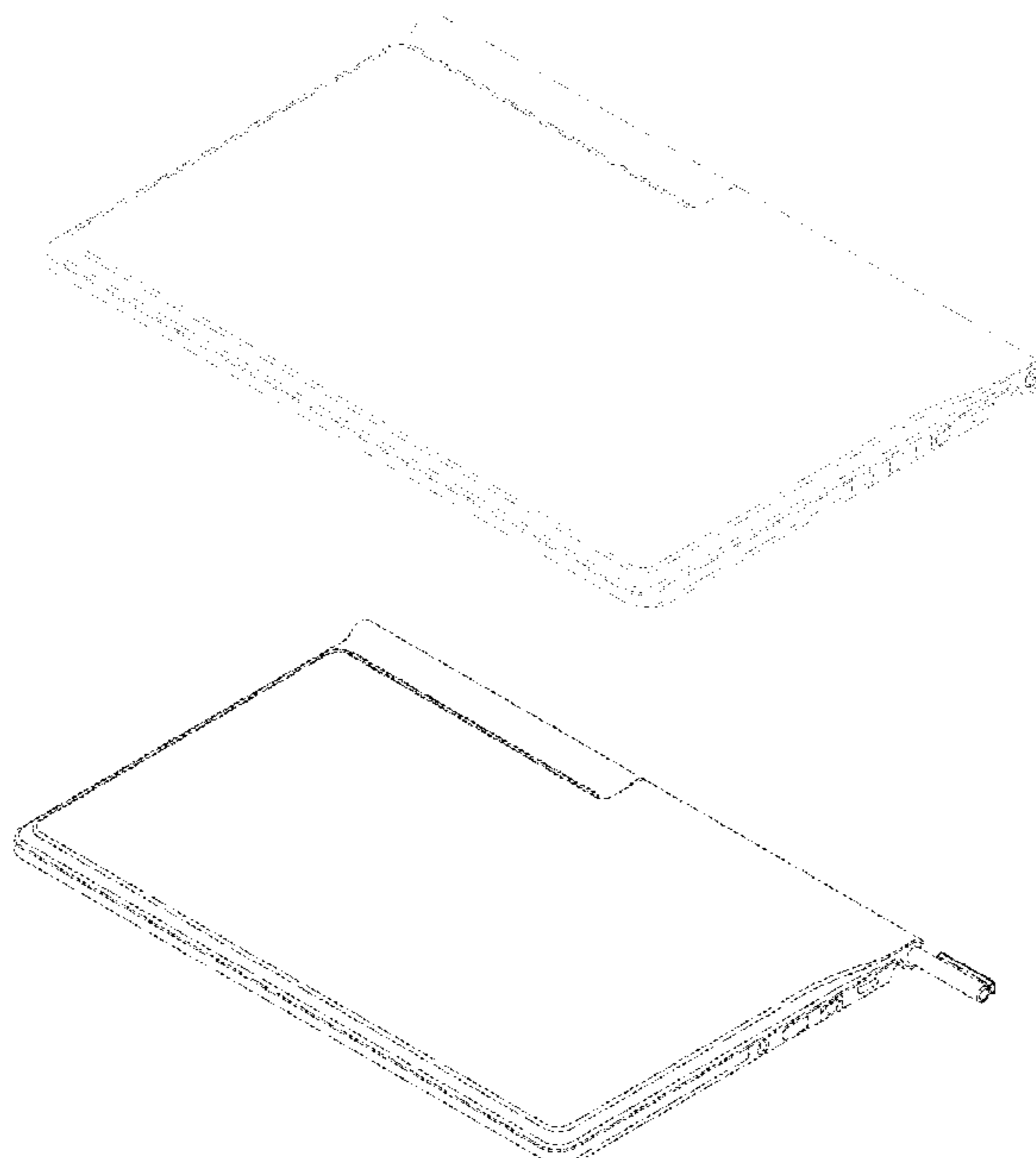
(58) **Field of Classification Search**
USPC D14/315–327, 411; D18/1, 2, 7, 11;
235/145 A, 145 R; 341/22, 23; 345/104,
345/156, 168, 169, 173, 179, 683;
361/679.08, 679.09, 679.11, 679.26,
361/679.27, 679.32, 679.58; 379/433.12;
16/341, 367; D19/35, 36, 41–51,
D19/54–58; 312/223.2; 178/19.01

FIG. 1 is a front perspective view of a notebook computer showing our new design;
FIG. 2 is a front view thereof;
FIG. 3 is a rear view thereof;
FIG. 4 is a left-side view thereof;
FIG. 5 is a right-side view thereof;
FIG. 6 is a top view thereof;
FIG. 7 is a bottom view thereof; and,
FIG. 8 is another perspective view the notebook computer in which a stylus instrument is shown in a partially extended position.

The broken lines are for environmental purposes only and form no part of the claimed design.

See application file for complete search history.

1 Claim, 8 Drawing Sheets



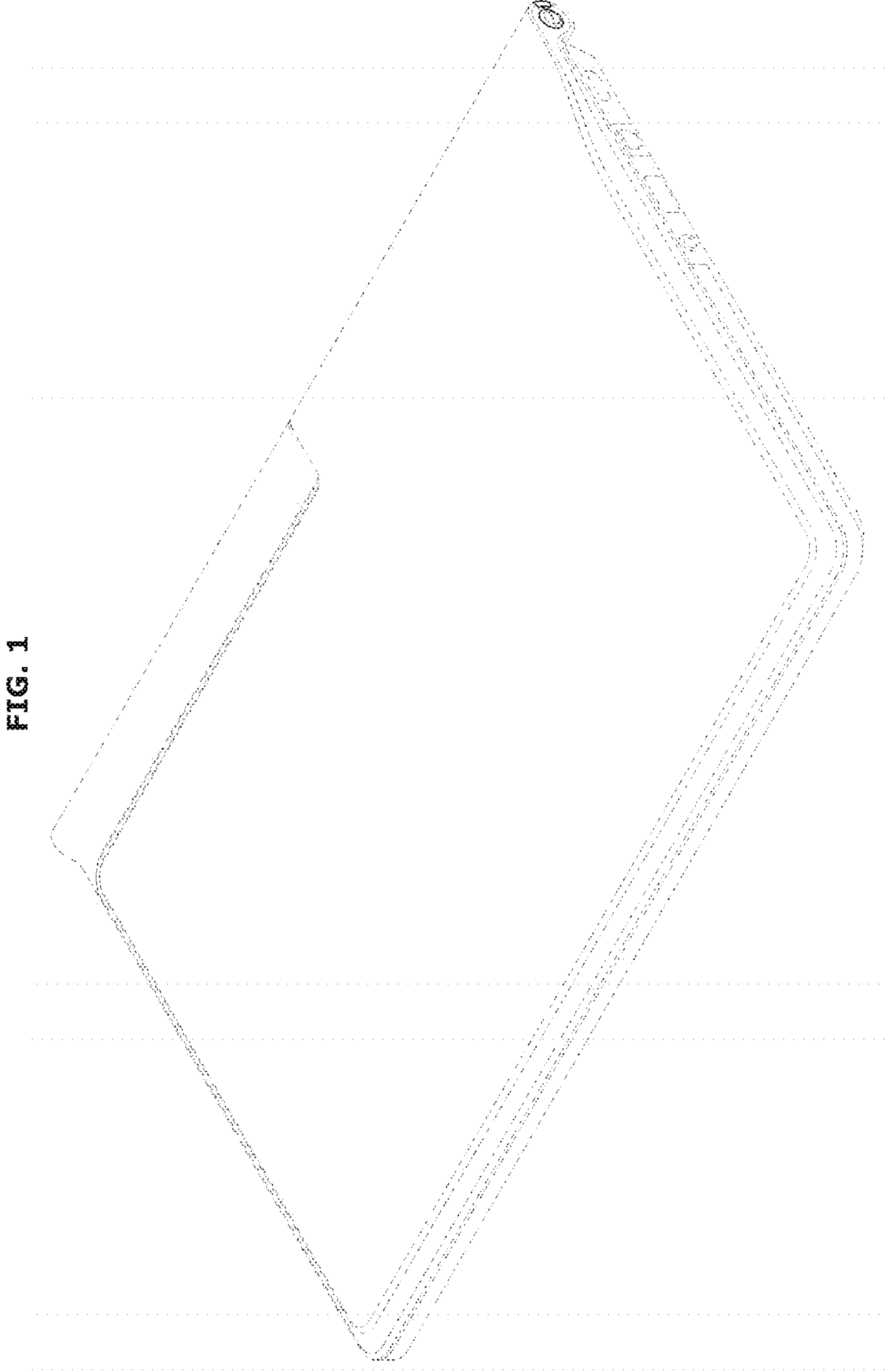


FIG. 2

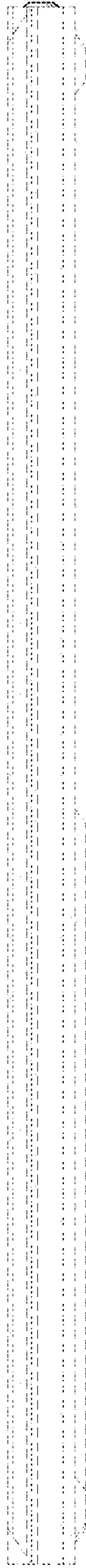


FIG. 3

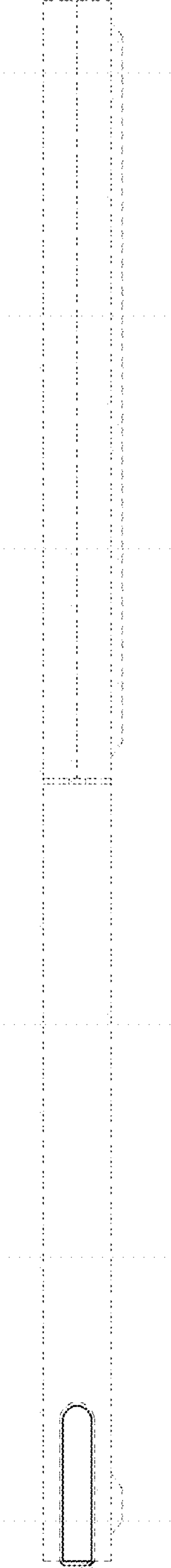


FIG. 4



FIG. 5



FIG. 6



FIG. 7

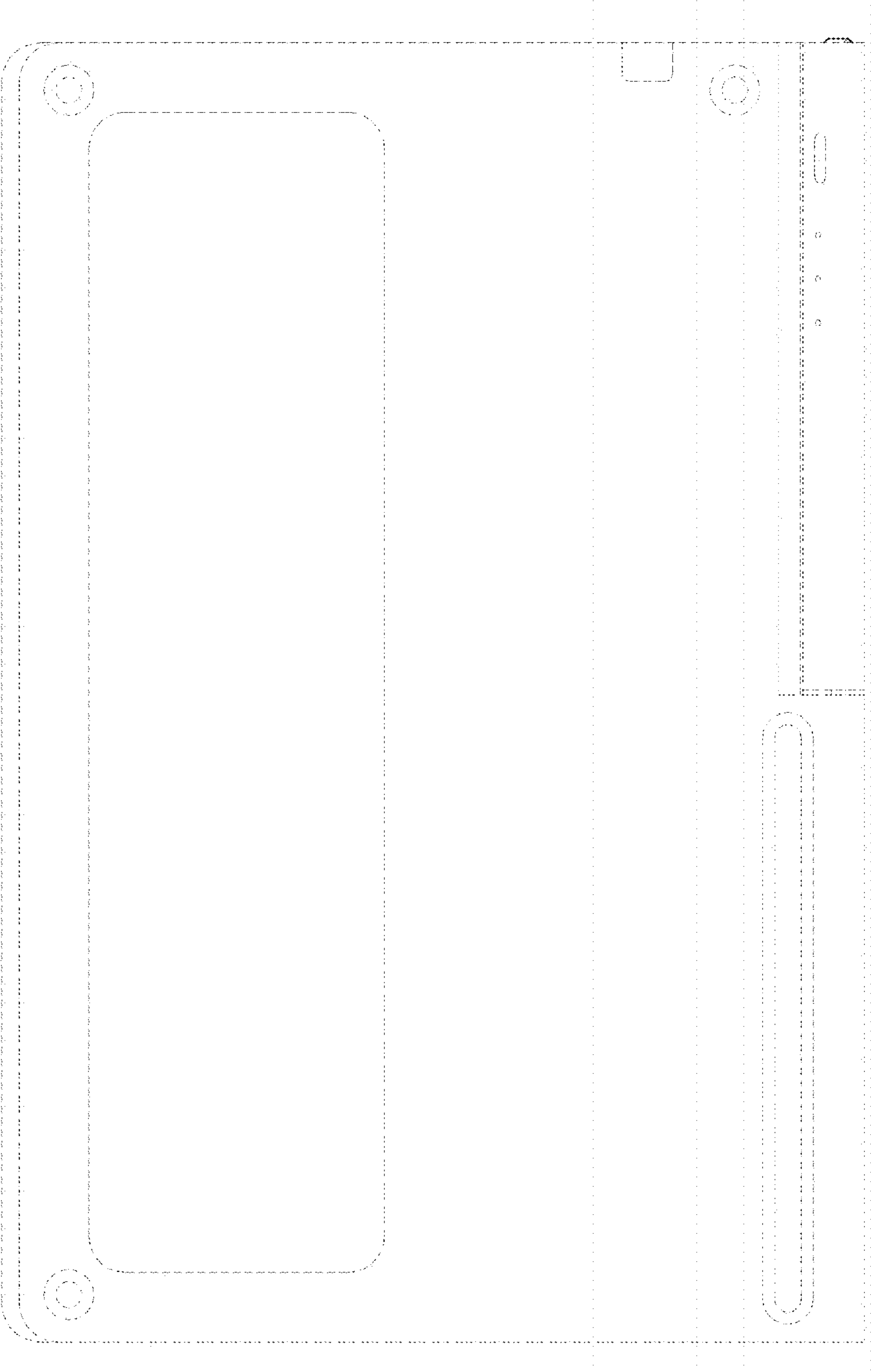


FIG. 8

