



US00D726708S

(12) **United States Design Patent**
Lee et al.

(10) **Patent No.:** **US D726,708 S**
(45) **Date of Patent:** **** Apr. 14, 2015**

(54) **NOTEBOOK COMPUTER**

(56) **References Cited**

(71) Applicant: **Samsung Electronics Co., Ltd.**,
Suwon-Si (KR)
(72) Inventors: **Jooyeon Lee**, Gunposi (KR); **Kyu Eun Hwang**, Seoul (KR); **Whan Oh Sung**, Seoul (KR); **Youngkeun Lee**, Seoul (KR); **Jochen Backs**, San Francisco, CA (US)

U.S. PATENT DOCUMENTS

6,519,139 B2 * 2/2003 Kambayashi 361/679.09
6,775,129 B1 * 8/2004 Ghosh et al. 361/679.27
D593,091 S * 5/2009 Behar et al. D14/371
D624,911 S * 10/2010 Lee et al. D14/315
8,289,688 B2 * 10/2012 Behar et al. 361/679.3
D679,705 S * 4/2013 McManigal et al. D14/318
D687,031 S * 7/2013 Chen et al. D14/327
2009/0244012 A1 * 10/2009 Behar et al. 345/169
2011/0157100 A1 * 6/2011 Hsieh et al. 345/179

(73) Assignee: **Samsung Electronics Co., Ltd.**,
Suwon-si (KR)

* cited by examiner

(**) Term: **14 Years**

Primary Examiner — Freda S Nunn

(21) Appl. No.: **29/466,168**

(74) *Attorney, Agent, or Firm* — NSIP Law

(22) Filed: **Sep. 5, 2013**

(57) **CLAIM**

The ornamental design for a notebook computer, as shown and described.

(30) **Foreign Application Priority Data**

DESCRIPTION

Mar. 5, 2013 (KR) 30-2013-0011220

(51) **LOC (10) Cl.** **14-02**

(52) **U.S. Cl.**
USPC **D14/315**

(58) **Field of Classification Search**
USPC D14/315-327, 331; D18/1, 2, 7, 11;
235/145 A, 145 R; 341/22, 23; 345/104,
345/156, 168, 169, 173; 361/679.08,
361/679.09, 679.11, 679.26, 679.27;
379/433.12; 16/341, 367

FIG. 1 is a front perspective view of a notebook computer showing our new design;
FIG. 2 is a front view thereof;
FIG. 3 is a rear view thereof;
FIG. 4 is a left-side view thereof;
FIG. 5 is a right-side view thereof;
FIG. 6 is a top view thereof; and,
FIG. 7 is a bottom view thereof;
FIG. 8 is a rear perspective view of the notebook computer in which the notebook computer is shown in an open position; and,
FIG. 9 is a left-side view thereof.
The broken lines are for environmental purposes only and form no part of the claimed design.

See application file for complete search history.

1 Claim, 6 Drawing Sheets

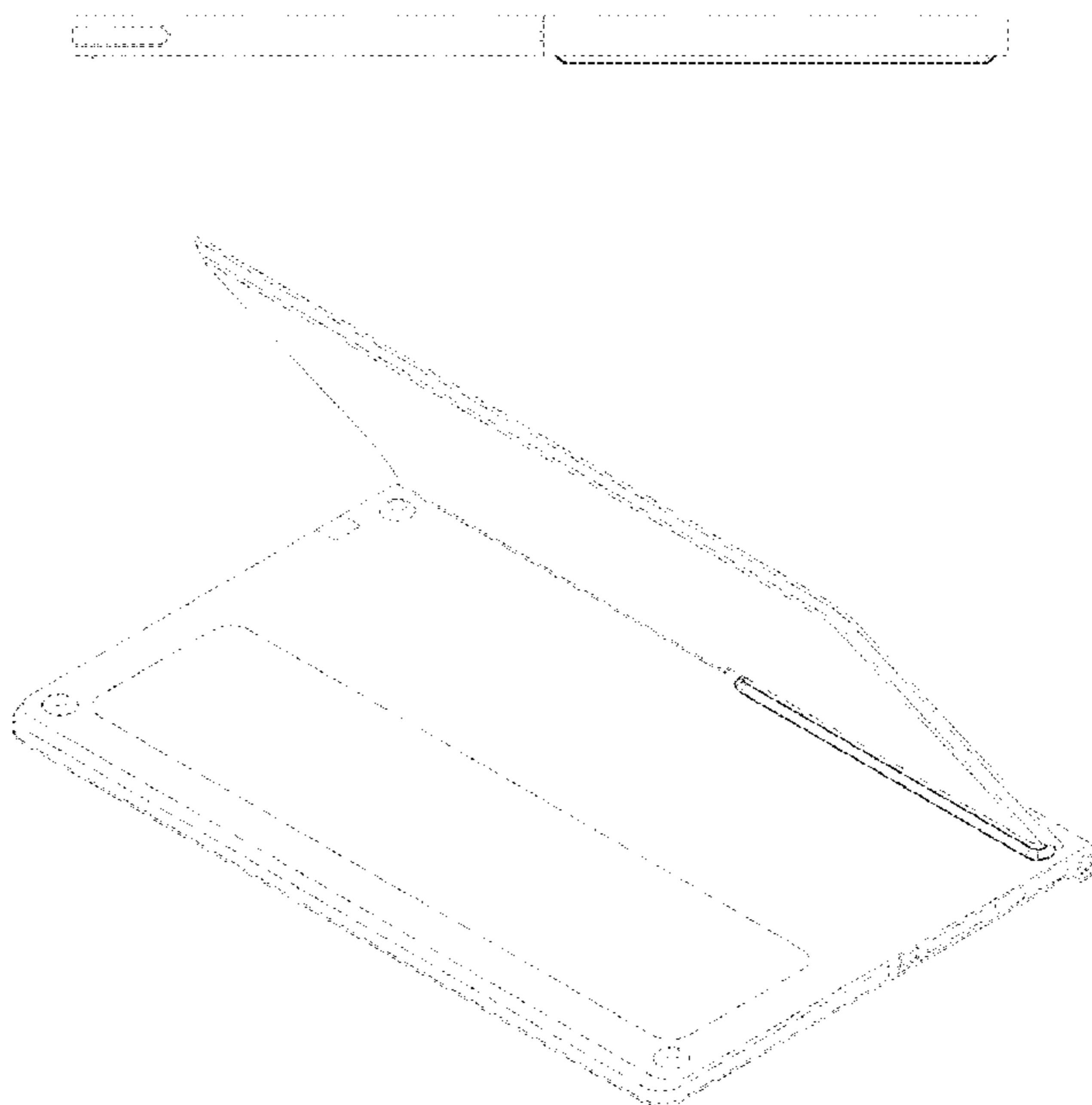


FIG. 1

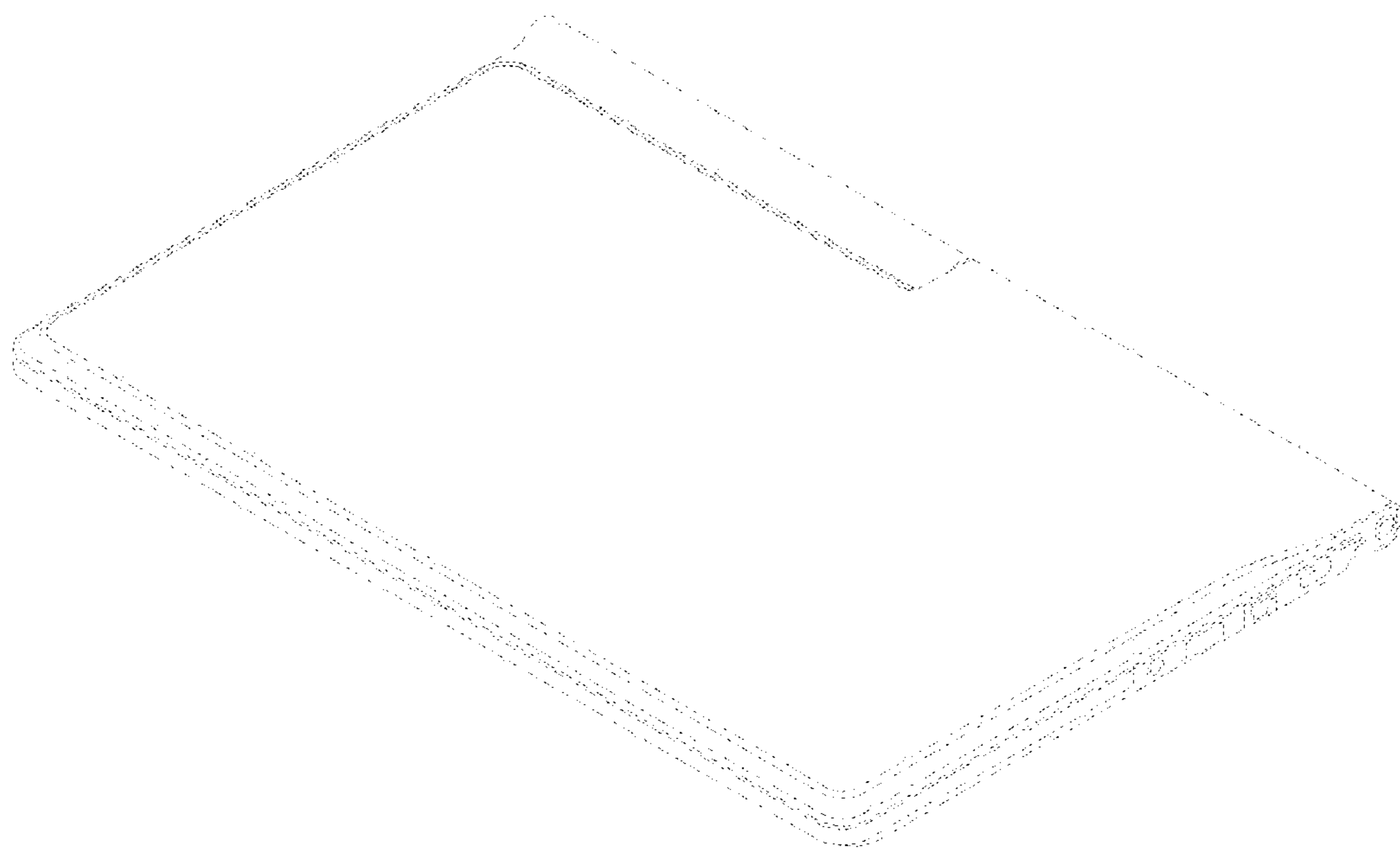


FIG. 2

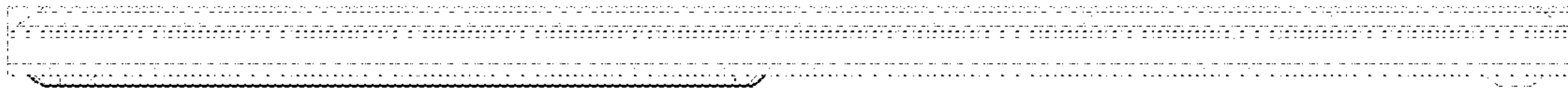


FIG. 3

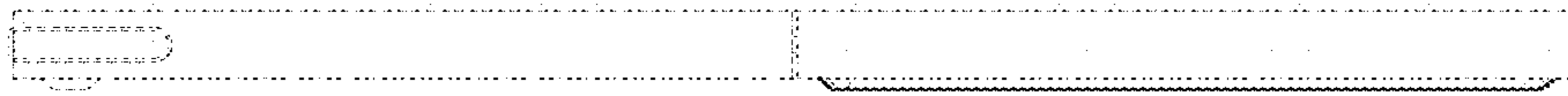


FIG. 4

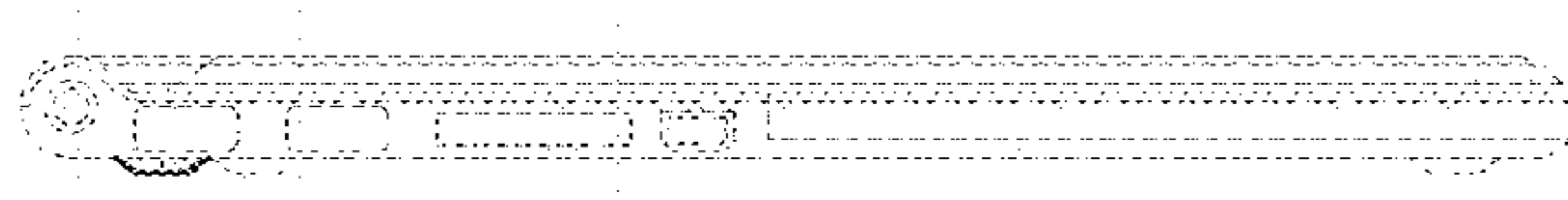


FIG. 5

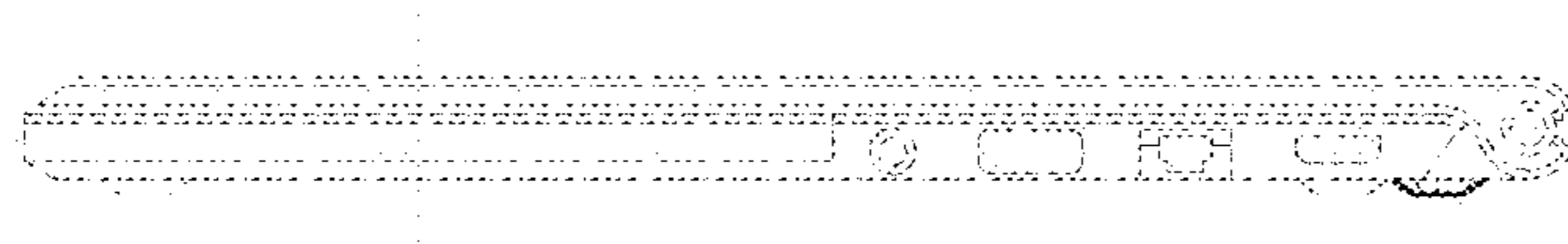


FIG. 6

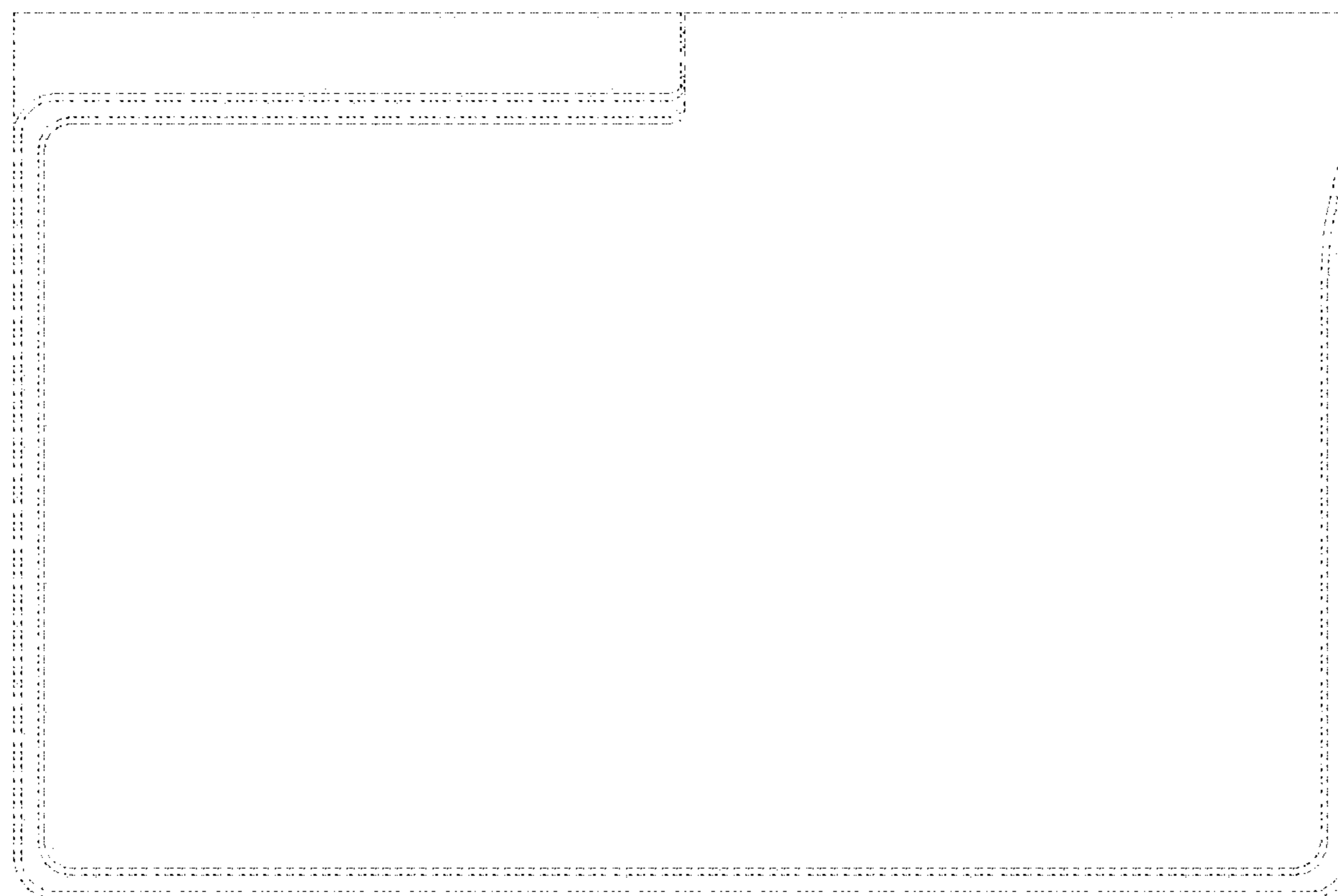


FIG. 7

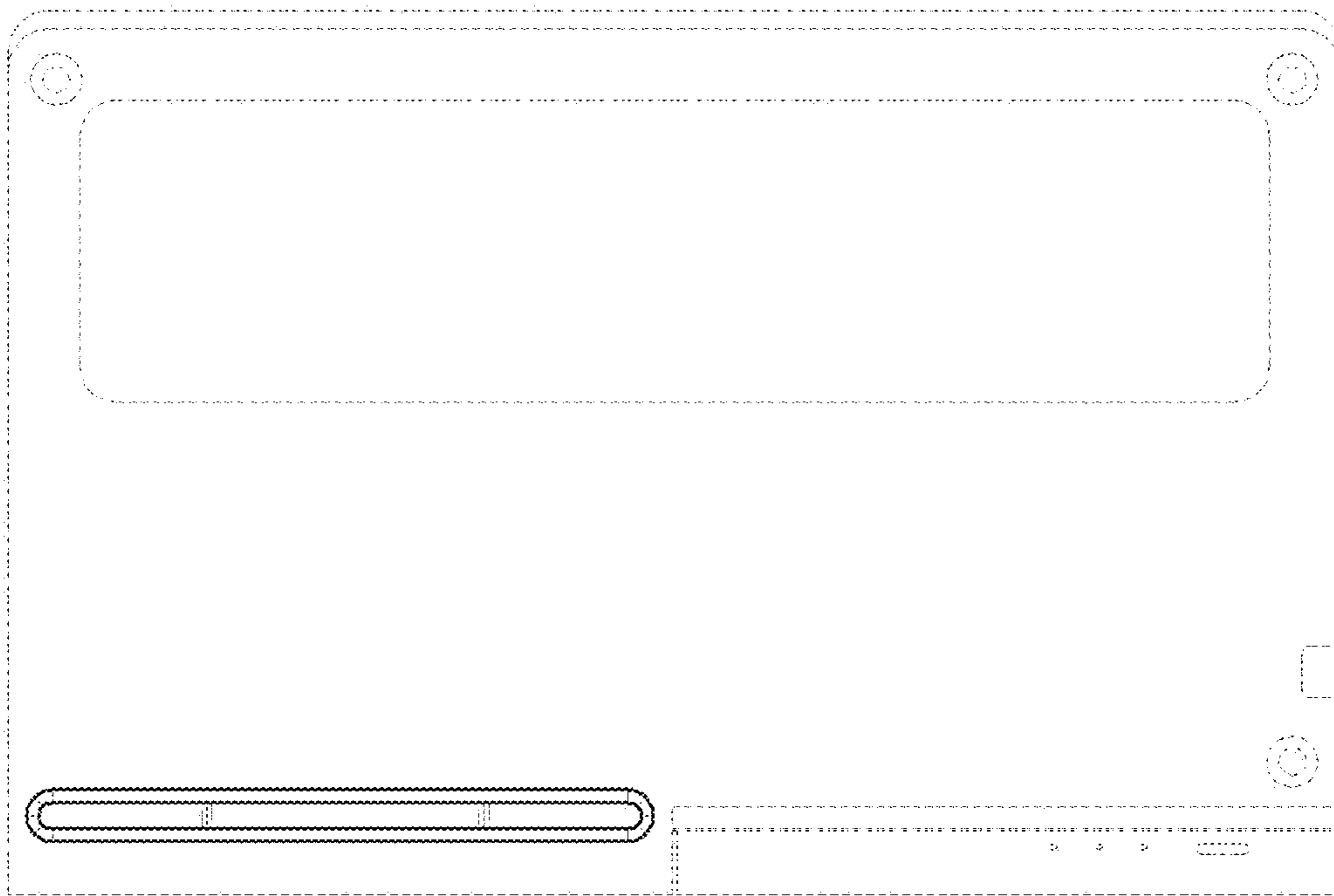


FIG. 8

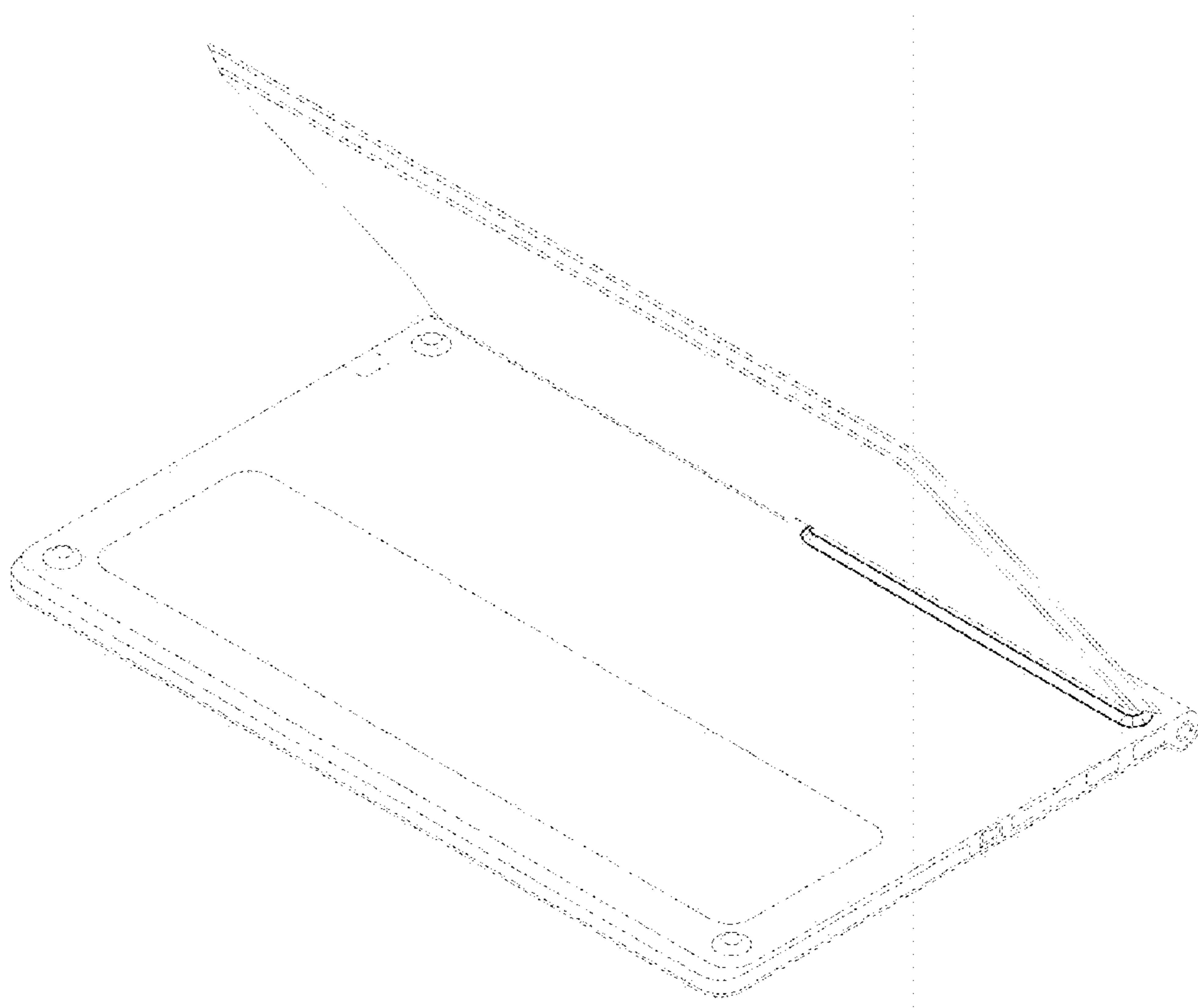


FIG. 9

