



US00D726705S

(12) **United States Design Patent**  
**Kang et al.**

(10) **Patent No.:** **US D726,705 S**  
(45) **Date of Patent:** **\*\* Apr. 14, 2015**

(54) **PHONE AND WRITING INSTRUMENT  
HOLDER**

(71) Applicant: **Fellowes, Inc.**, Itasca, IL (US)

(72) Inventors: **Richard M. Kang**, Bloomingdale, IL  
(US); **Taiwon Choi**, Glenview, IL (US)

(73) Assignee: **Fellowes, Inc.**, Itasca, IL (US)

(\*\*) Term: **14 Years**

(21) Appl. No.: **29/482,014**

(22) Filed: **Feb. 12, 2014**

(51) **LOC (10) Cl.** ..... **14-03**

(52) **U.S. Cl.**  
USPC ..... **D14/252**; D19/77

(58) **Field of Classification Search**  
USPC ..... D3/206, 315; D6/512, 708, 708.16,  
D6/672, 682.1, 682.2, 567; D7/701-708;  
D19/77-85, 91; 24/15, 3.2, 3.4, 3.5,  
24/3.6; 206/214; 211/69, 69.1-69.9, 70;  
D14/217, 252, 253, 434

See application file for complete search history.

(56) **References Cited**

**U.S. PATENT DOCUMENTS**

D291,747 S \* 9/1987 Bunge ..... D3/310  
D311,213 S \* 10/1990 Ancona et al. .... D19/77  
D320,991 S \* 10/1991 Nagai et al. .... D14/251  
5,317,691 A \* 5/1994 Traeger ..... 709/250

D354,312 S \* 1/1995 Pohlman ..... D19/90  
D396,160 S \* 7/1998 Huang ..... D6/567  
5,862,980 A \* 1/1999 Samuelson ..... 229/104  
D441,713 S \* 5/2001 Gartrell ..... D13/108  
D466,516 S \* 12/2002 Peiker ..... D14/447  
D474,737 S \* 5/2003 Yoshida ..... D13/108  
D477,848 S \* 7/2003 Chen ..... D19/78  
D541,741 S \* 5/2007 Yosef et al. .... D13/110  
D600,813 S \* 9/2009 Bell et al. .... D24/169  
D601,258 S \* 9/2009 Bell et al. .... D24/169  
8,561,816 B2 \* 10/2013 Martin et al. .... 211/50

\* cited by examiner

*Primary Examiner* — Elizabeth Albert

(74) *Attorney, Agent, or Firm* — Pillsbury Winthrop Shaw  
Pittman LLP

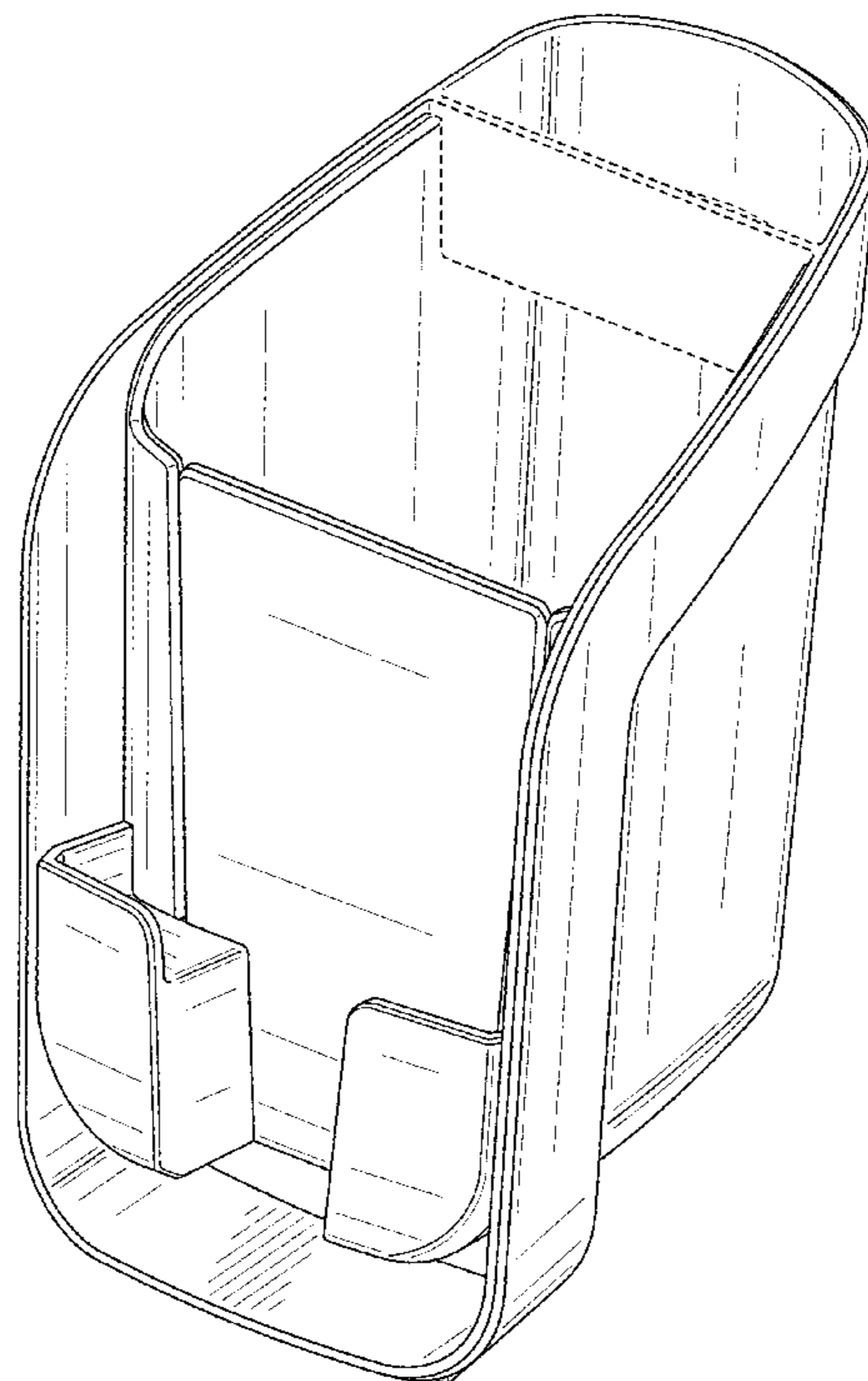
(57) **CLAIM**

The ornamental design for a phone and writing instrument  
holder, as shown and described.

**DESCRIPTION**

FIG. 1 is a perspective view of a phone and writing instrument  
holder showing our new design;  
FIG. 2 is a front view of FIG. 1;  
FIG. 3 is a rear view of FIG. 1;  
FIG. 4 is a right side view of FIG. 1;  
FIG. 5 is a left side view of FIG. 1;  
FIG. 6 is a top plan view of FIG. 1; and,  
FIG. 7 is a bottom plan view of FIG. 1.  
The portions in broken lines in FIGS. 1-7 are included for the  
purpose of showing features that form no part of the claimed  
design.

**1 Claim, 7 Drawing Sheets**



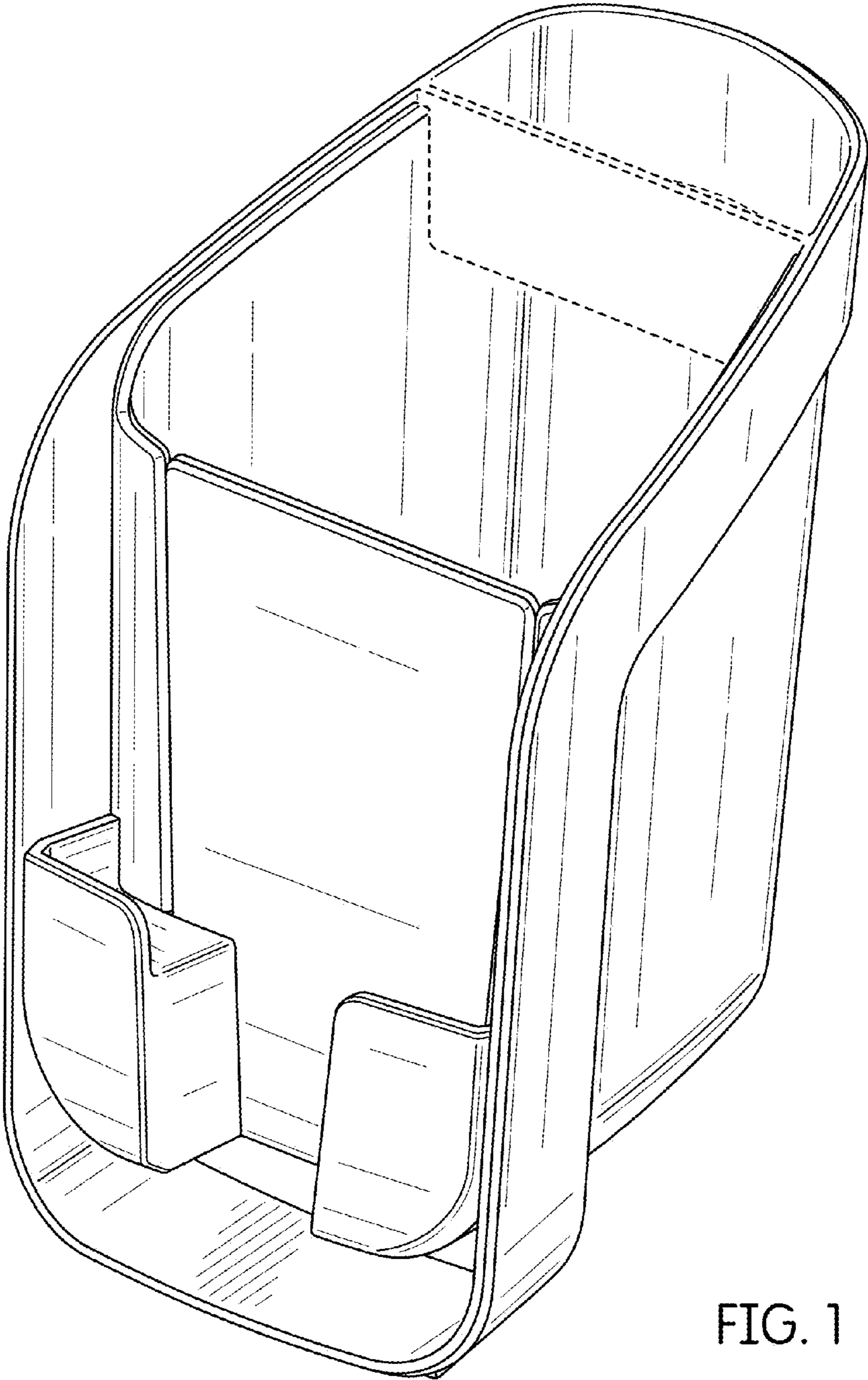


FIG. 1

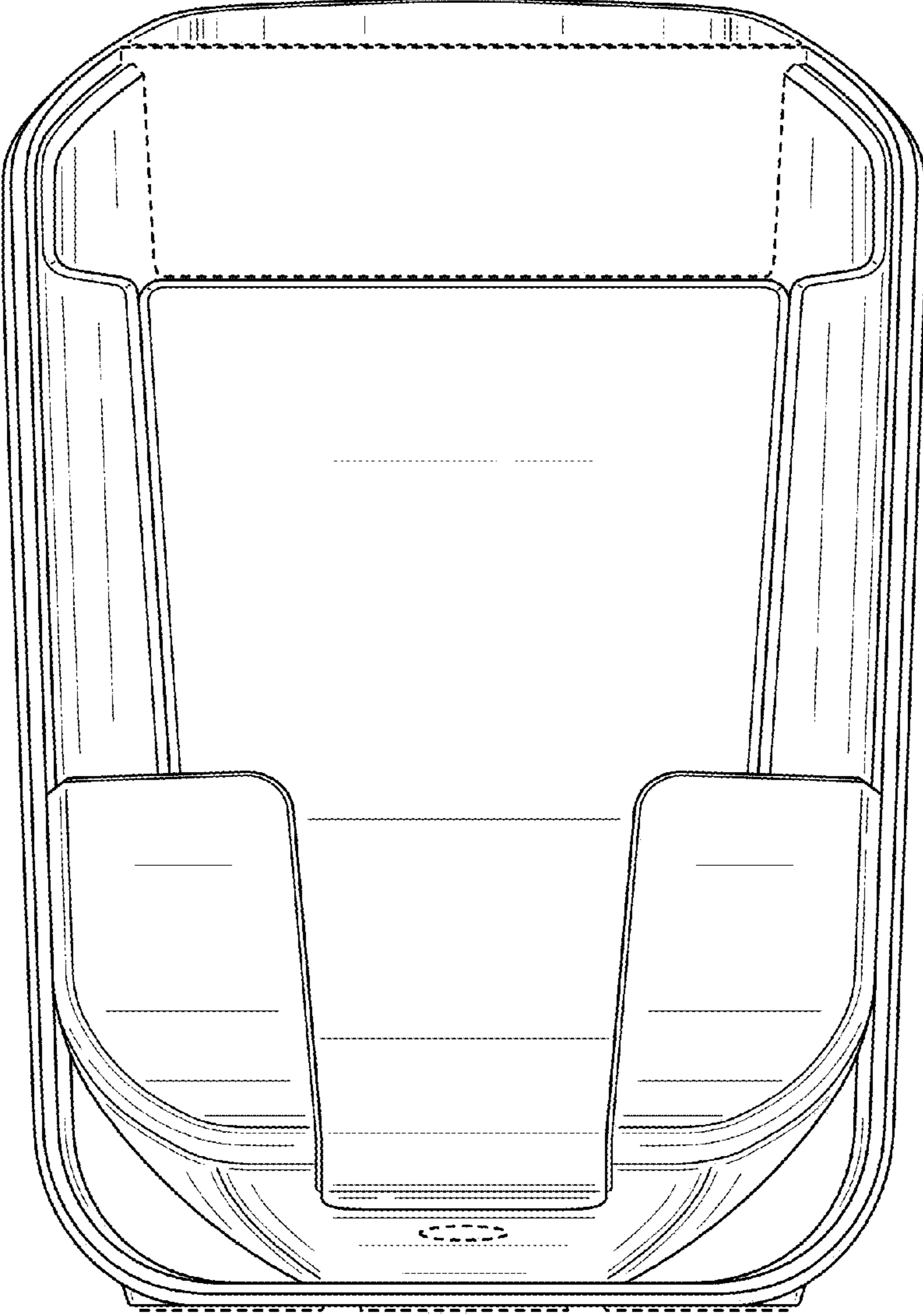


FIG. 2

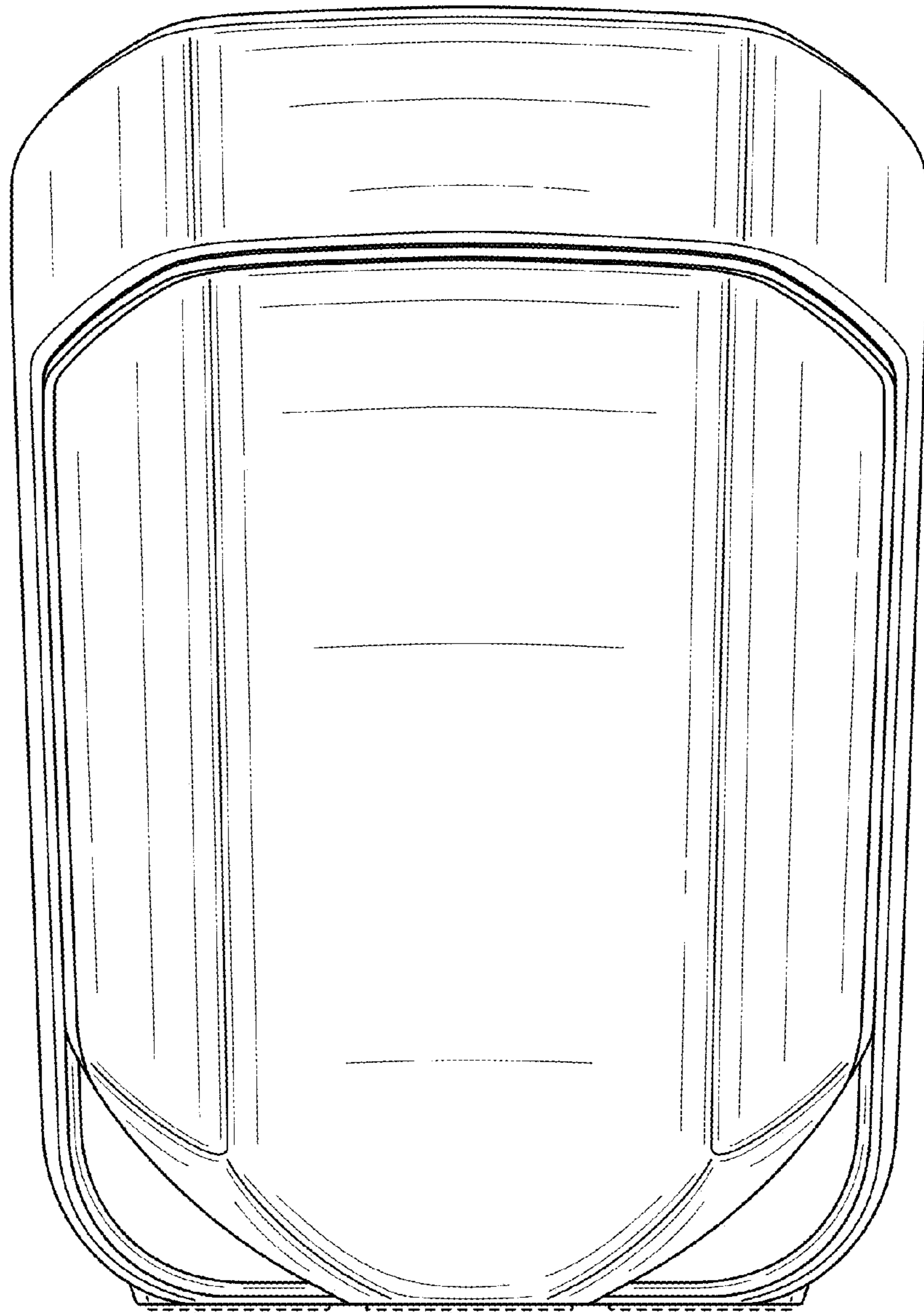


FIG. 3

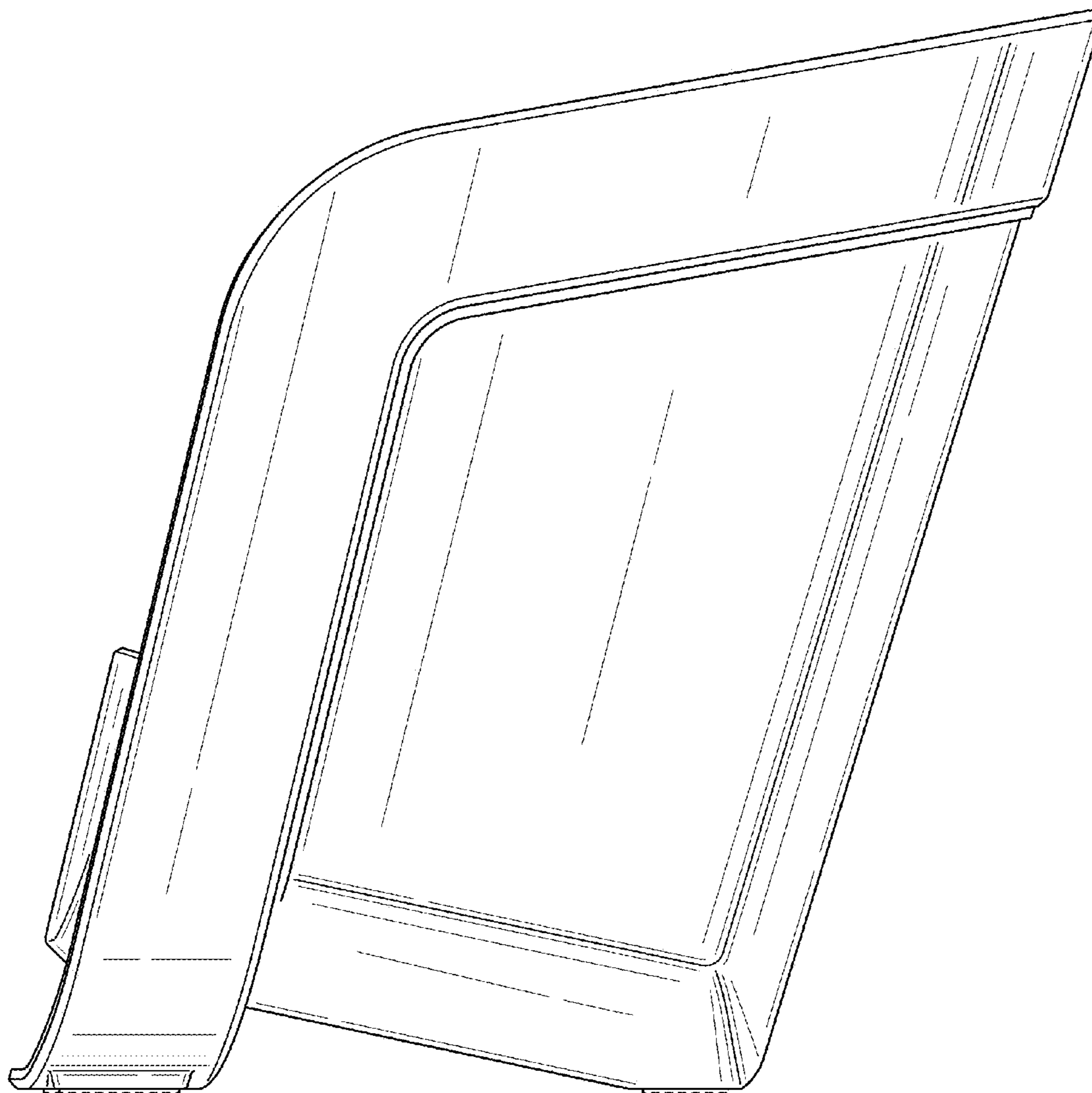


FIG. 4

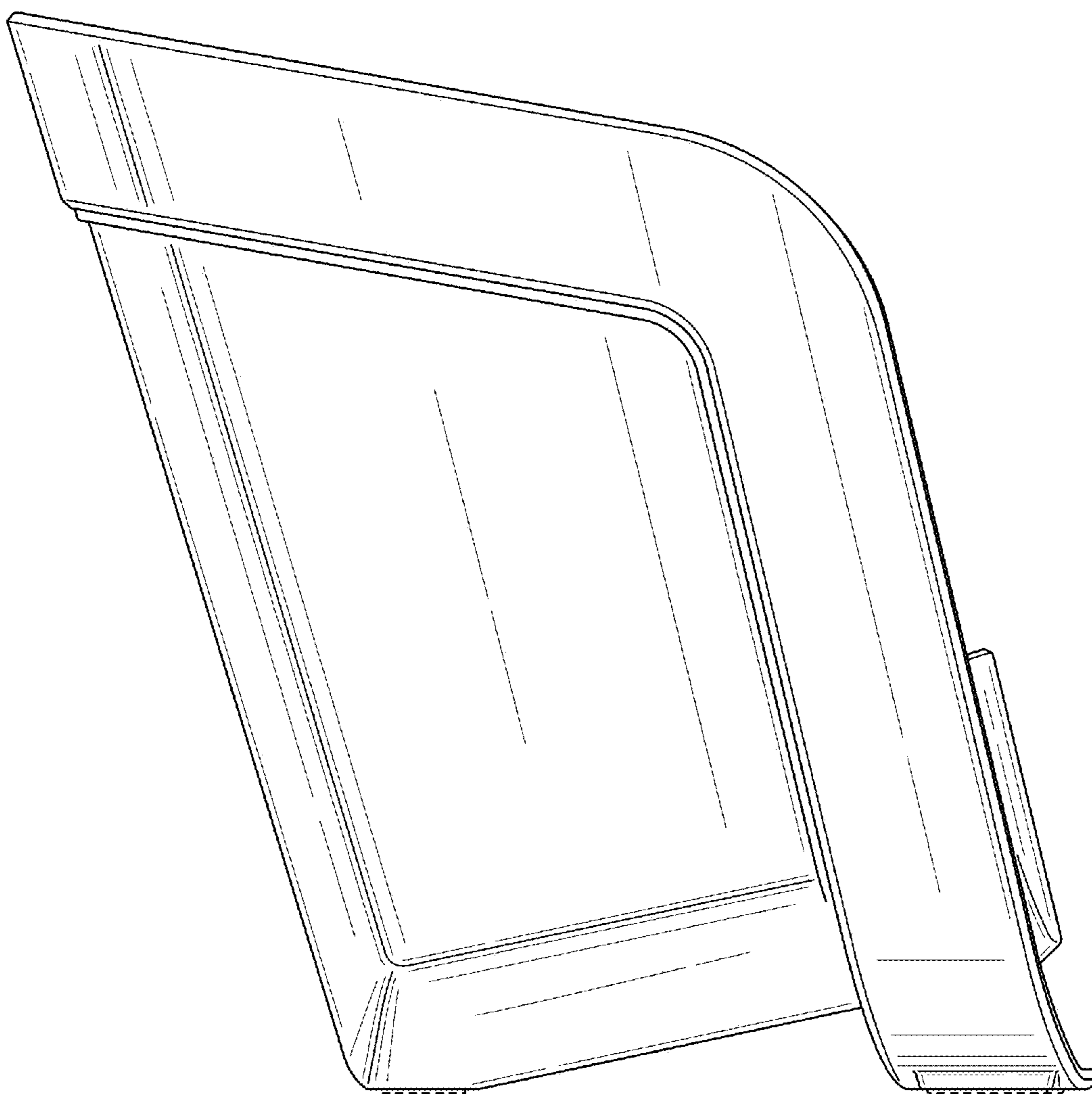


FIG. 5



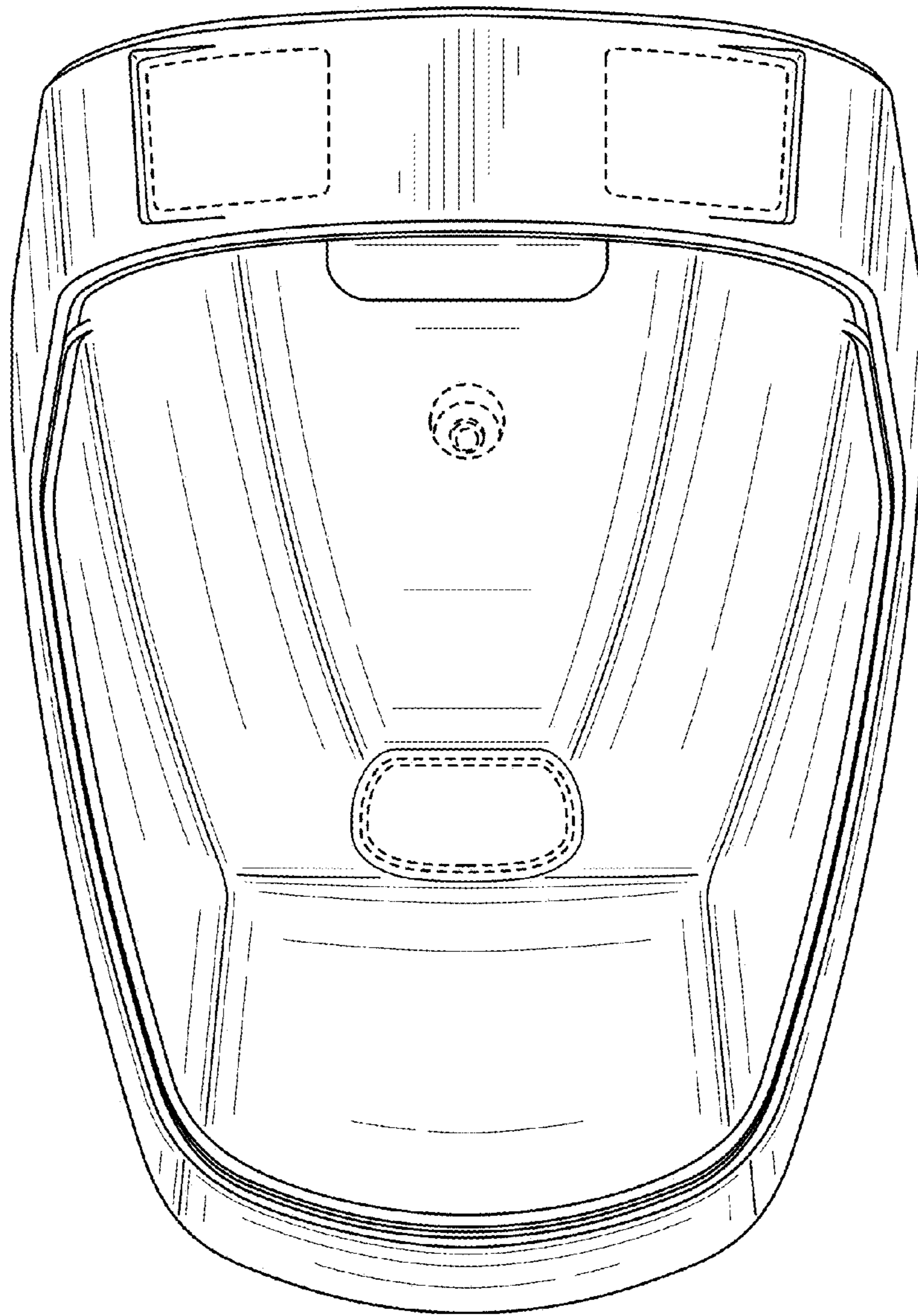


FIG. 7