



US00D726697S

(12) **United States Design Patent**  
**Nada et al.**

(10) **Patent No.:** **US D726,697 S**  
(45) **Date of Patent:** **\*\* Apr. 14, 2015**

(54) **DISPLAY EQUIPMENT**

(71) Applicant: **Omron Corporation**, Shimogyo-ku,  
Kyoto (JP)  
(72) Inventors: **Heita Nada**, Kyoto (JP); **Clement Van  
de Ven**, 's-Hertogenbosch (NL)  
(73) Assignee: **Omron Corporation**, Kyoto (JP)  
(\*\*) Term: **14 Years**

(21) Appl. No.: **29/468,883**

(22) Filed: **Oct. 4, 2013**

(30) **Foreign Application Priority Data**

Apr. 5, 2013 (JP) ..... 2013-007752

(51) **LOC (10) Cl.** ..... **14-03**

(52) **U.S. Cl.**  
USPC ..... **D14/239**

(58) **Field of Classification Search**  
USPC ..... D14/126, 239, 371, 136, 374-377, 440,  
D14/450, 448, 336, 342; 312/7.2; 348/836,  
348/838, 180, 184, 325, 739; 341/12;  
248/917-924, 465; 345/104, 133, 156,  
345/168, 87, 173; 720/605, 669, 600, 655;  
369/99, 197; 455/344, 347; D21/329,  
D21/515, 577, 622, 333, 433, 448, 452, 450,  
D21/331; D6/477, 479, 300; 273/148 B;  
446/484, 175, 356; D10/15, 26

See application file for complete search history.

(56) **References Cited**

U.S. PATENT DOCUMENTS

D546,303	S	*	7/2007	Fujii et al.	.....	D14/126
D597,043	S	*	7/2009	Honda et al.	.....	D14/126
D597,505	S	*	8/2009	Hirasawa et al.	.....	D14/126
D610,560	S	*	2/2010	Chen	.....	D14/126
D619,553	S	*	7/2010	Katsumata	.....	D14/126
D636,747	S	*	4/2011	Buzzard et al.	.....	D14/126
D639,258	S	*	6/2011	Chien	.....	D14/126
D664,513	S	*	7/2012	Laube et al.	.....	D14/126
D669,049	S	*	10/2012	Harper et al.	.....	D14/129
D679,670	S	*	4/2013	Takami et al.	.....	D14/126
D679,672	S	*	4/2013	Fujii et al.	.....	D14/126

\* cited by examiner

*Primary Examiner* — Randall Gholson

(74) *Attorney, Agent, or Firm* — Harness, Dickey & Pierce,  
P.L.C.

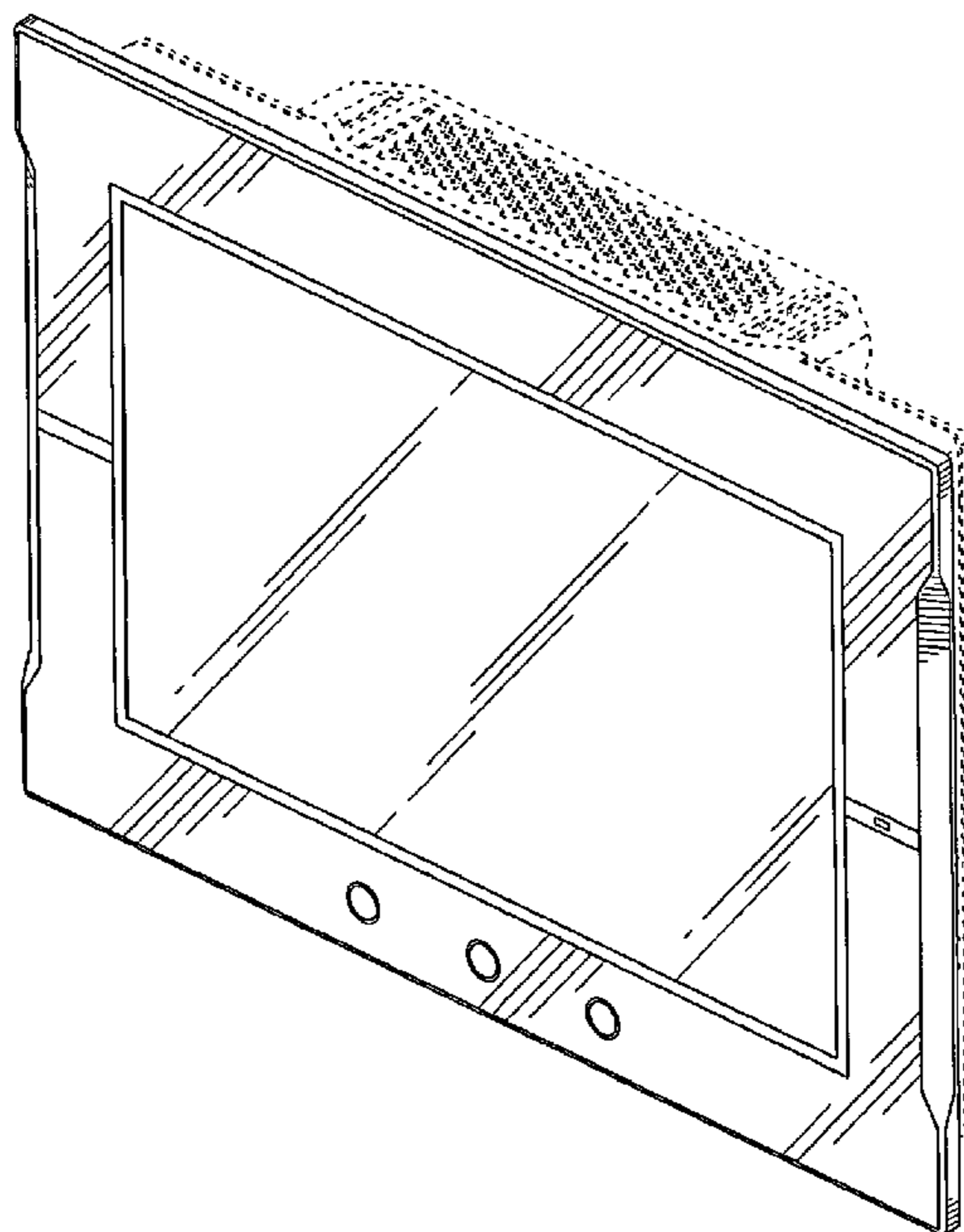
(57) **CLAIM**

The ornamental design for a display equipment, as shown and described.

**DESCRIPTION**

FIG. 1 is a top, front and right side perspective view of a display equipment showing our new design; FIG. 2 is a bottom, rear and left side perspective view thereof; FIG. 3 is a front elevational view thereof; FIG. 4 is a rear elevational view thereof; FIG. 5 is a left side view thereof; FIG. 6 is a right side view thereof; FIG. 7 is a top plan view thereof; and, FIG. 8 is a bottom plan view thereof. The broken lines depict environmental subject matter only and form no part of the claimed design.

**1 Claim, 6 Drawing Sheets**



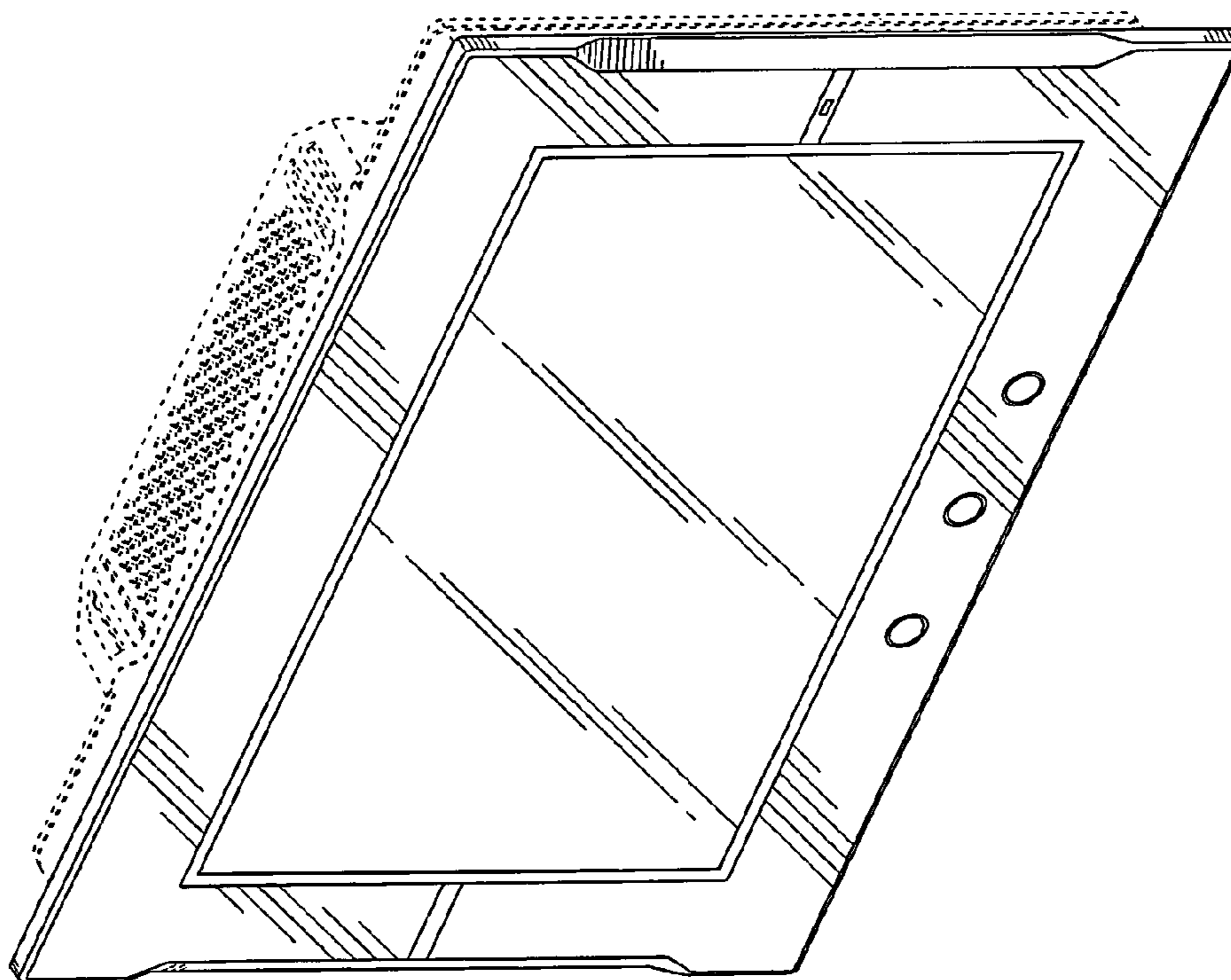


Fig. 1

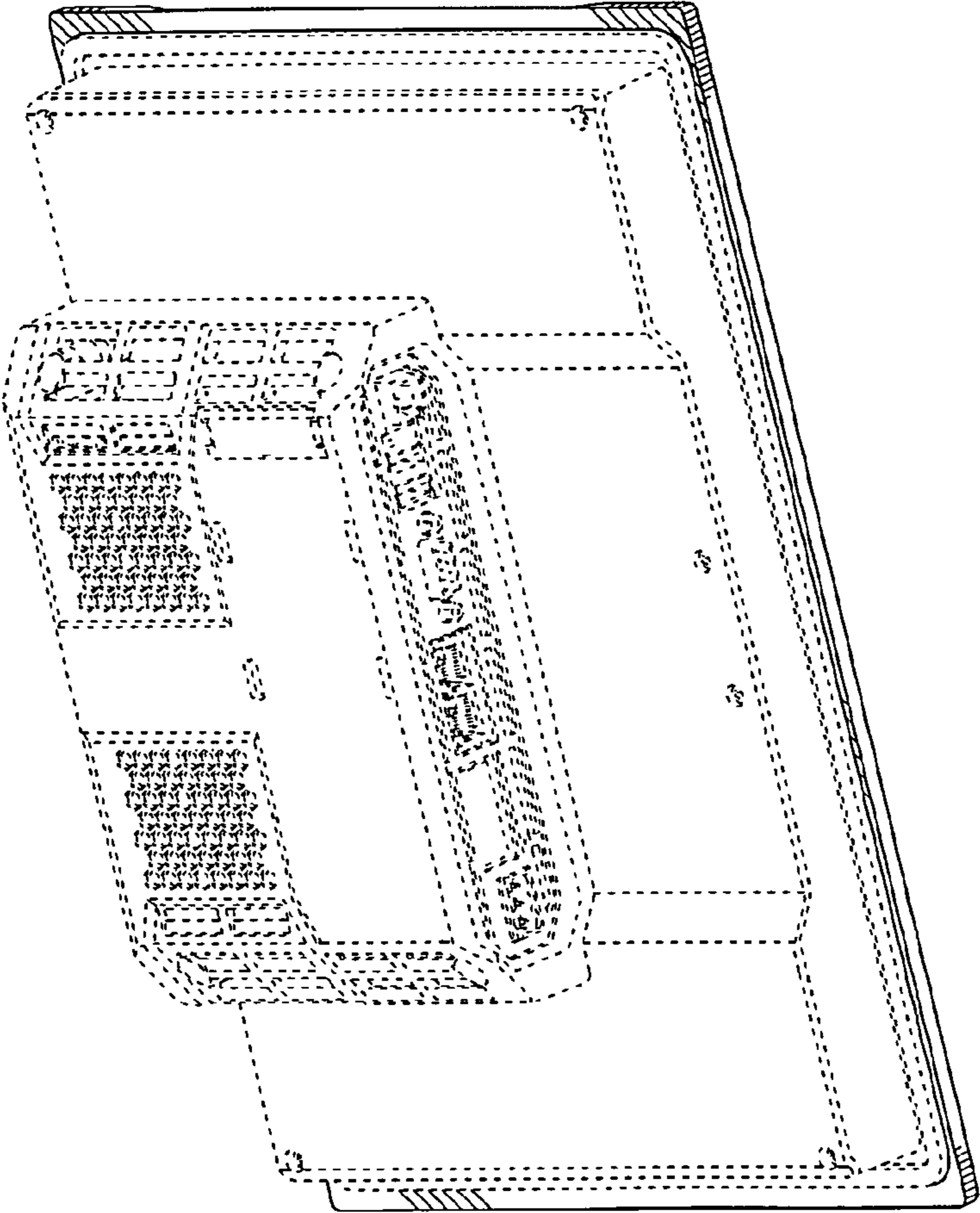


Fig. 2

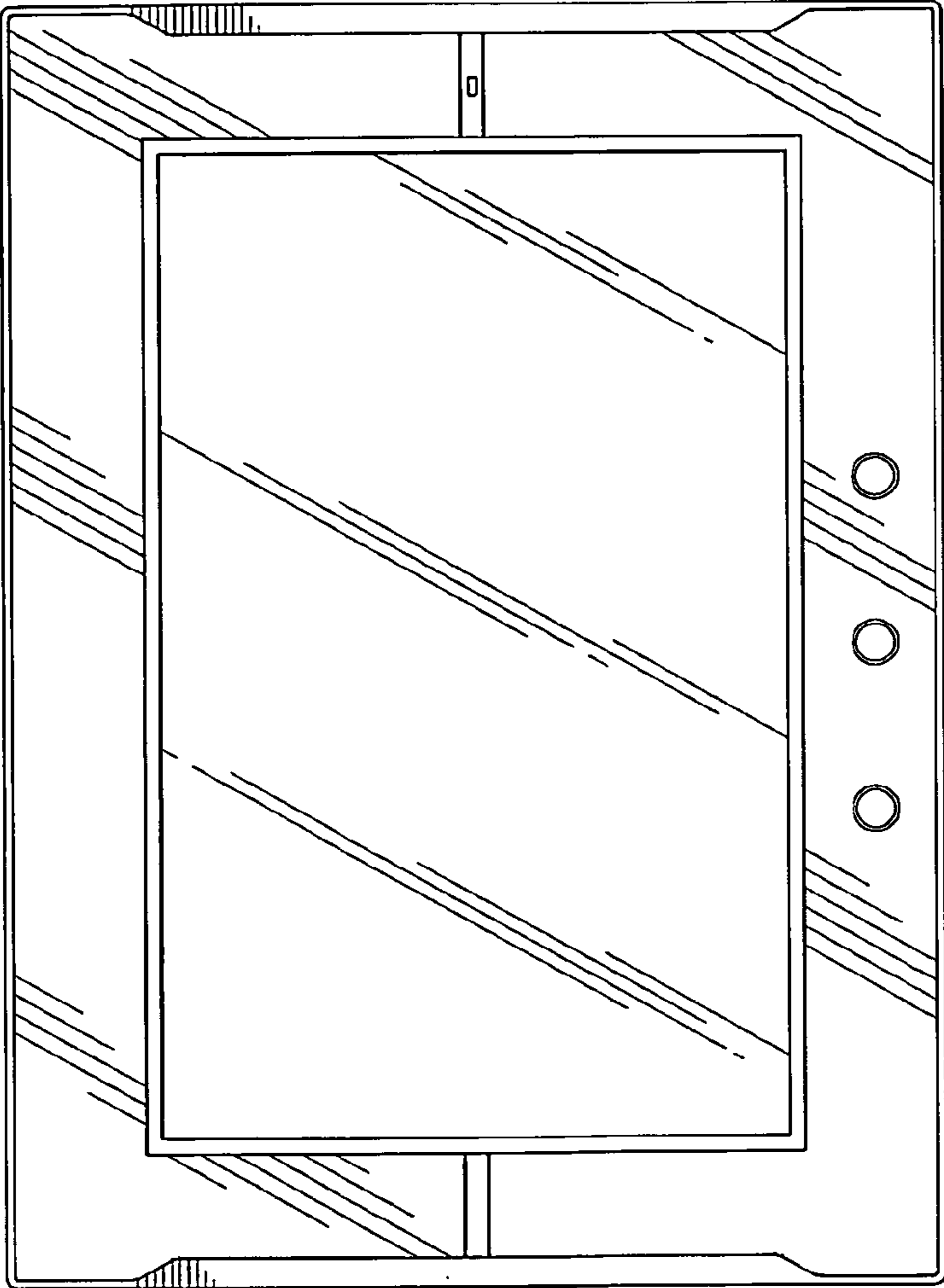


Fig. 3

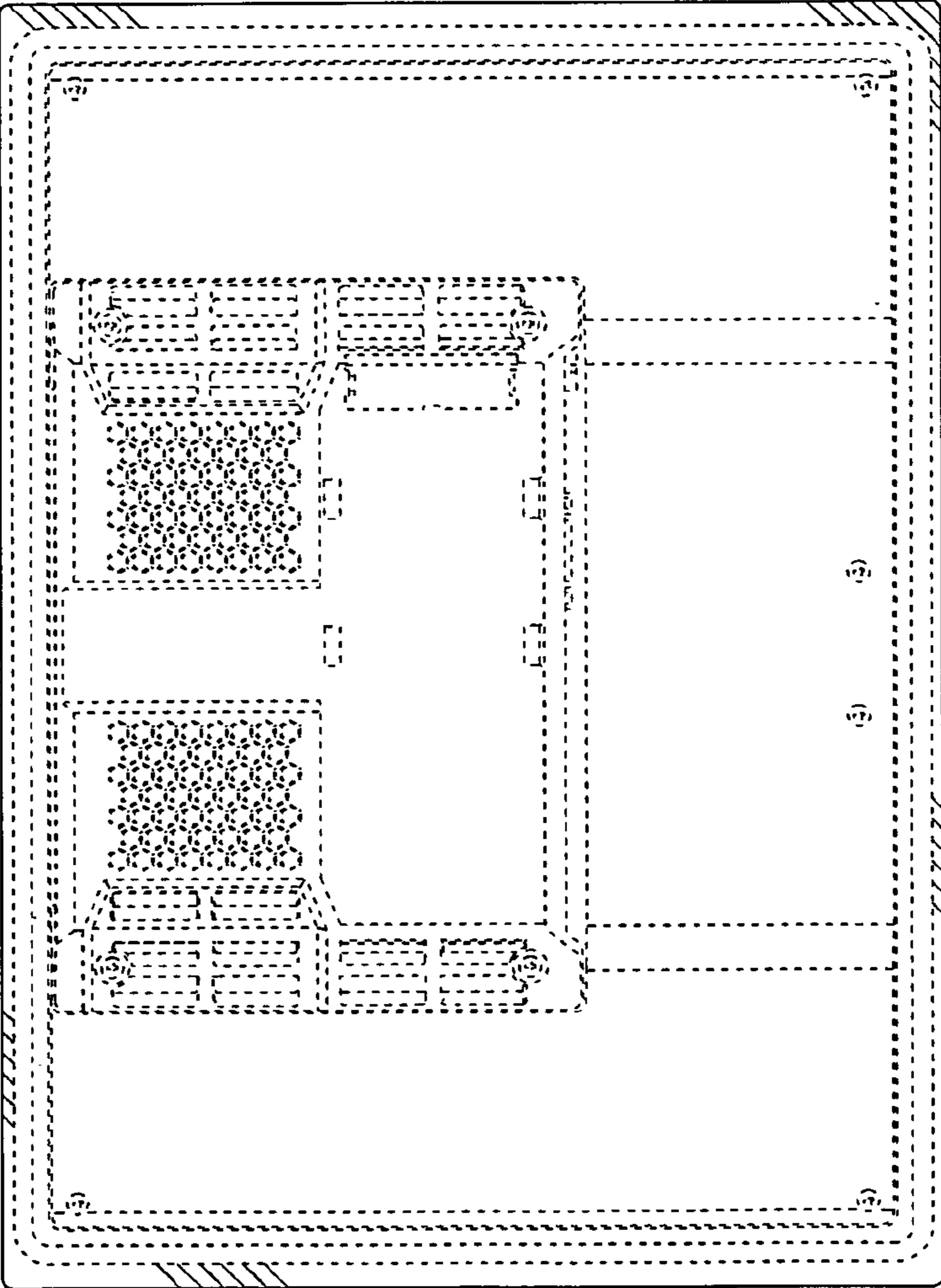


Fig. 4

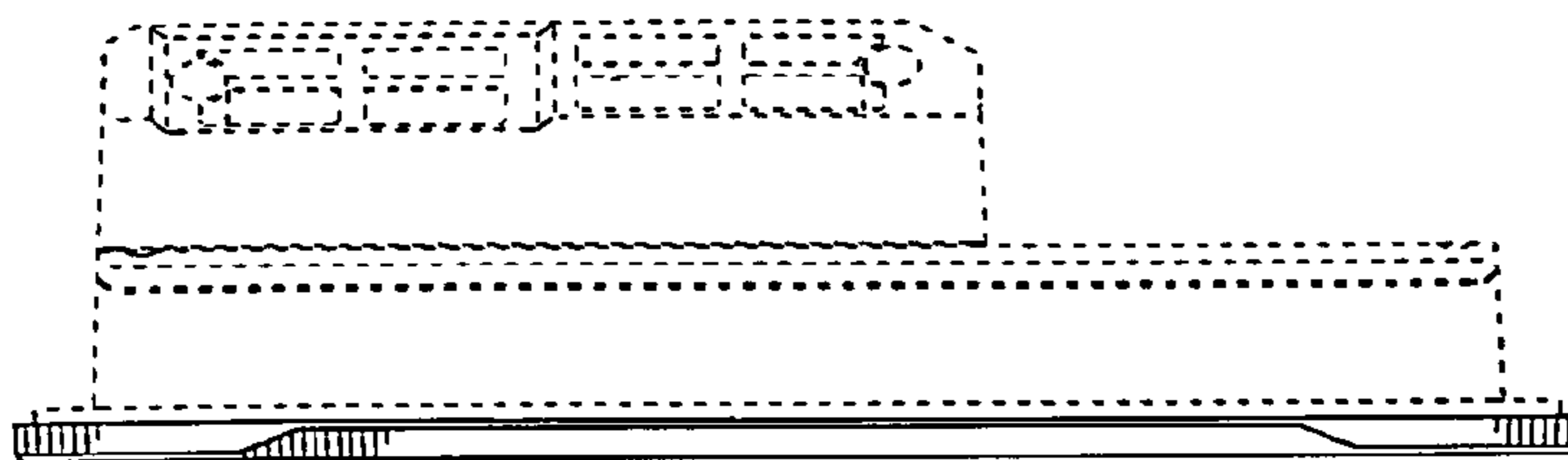


Fig. 6

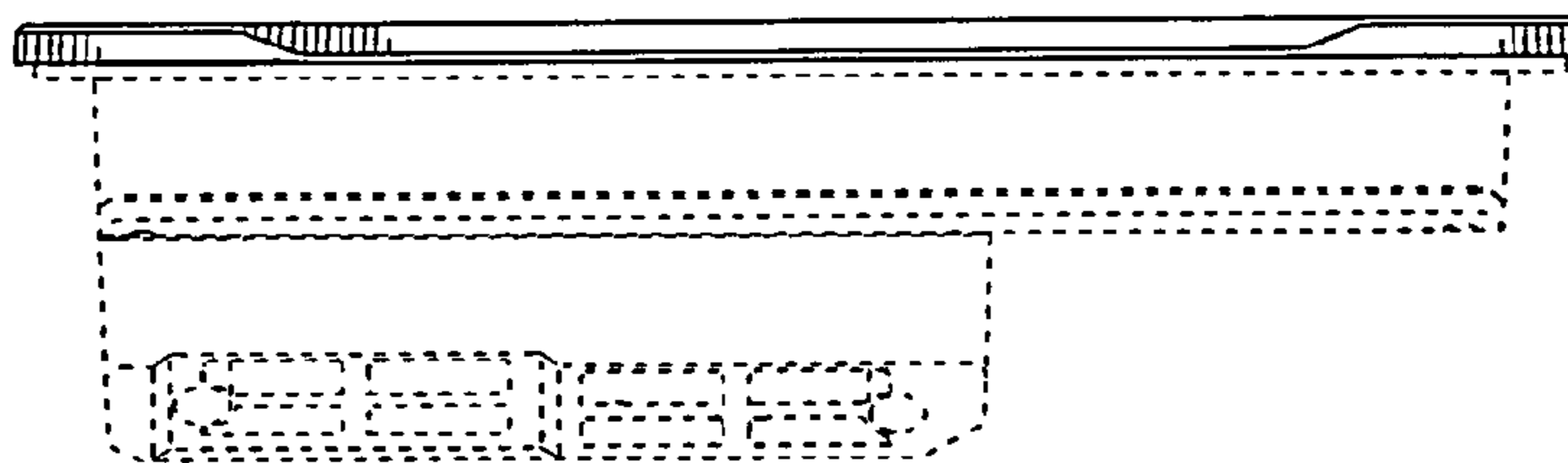


Fig. 5

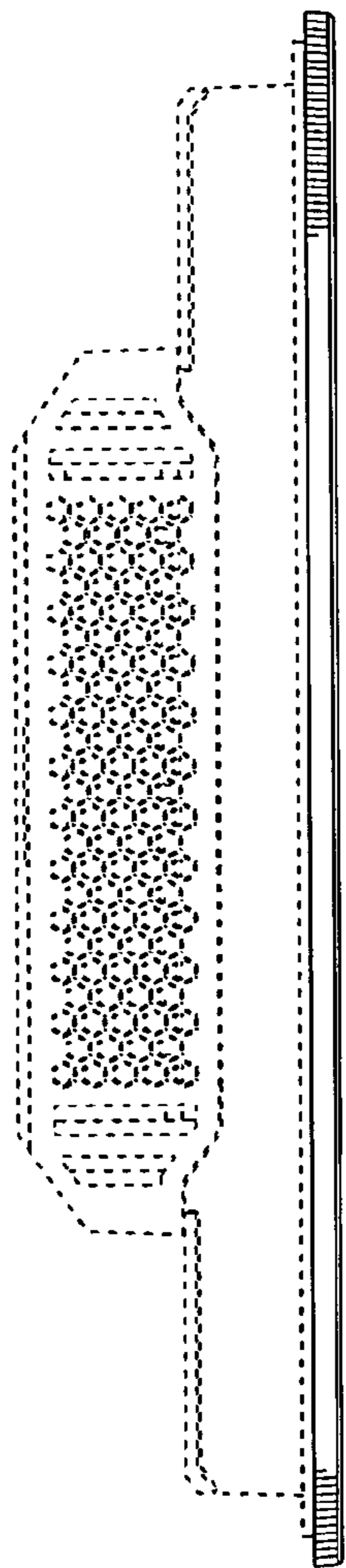


Fig. 7

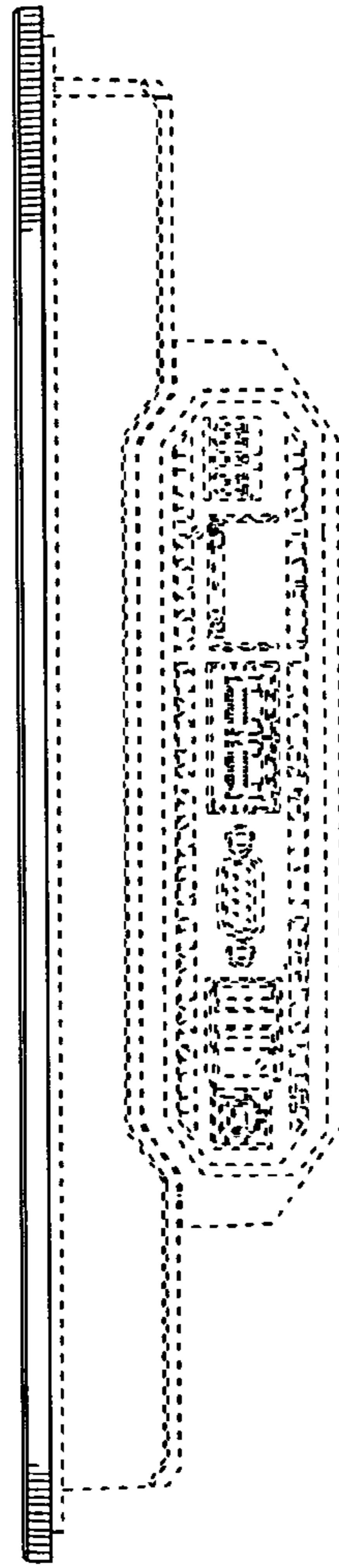


Fig. 8