

US00D726696S

(12) **United States Design Patent**
Kudo

(10) **Patent No.:** **US D726,696 S**
(45) **Date of Patent:** **** Apr. 14, 2015**

- (54) **VEHICLE ANTENNA**
- (75) Inventor: **Shigeki Kudo**, Tokyo (JP)
- (73) Assignee: **Harada Industry Co., Ltd.**, Tokyo (JP)
- (**) Term: **14 Years**
- (21) Appl. No.: **29/431,919**
- (22) Filed: **Sep. 12, 2012**
- (51) **LOC (10) Cl.** **14-03**
- (52) **U.S. Cl.**
USPC **D14/230**
- (58) **Field of Classification Search**
USPC D14/138, 230–238, 299, 358; D12/42,
D12/43; 343/700 MS, 700 R–705, 711–713,
343/735, 736, 741, 748, 767, 795, 819, 840,
343/846, 866, 871–908; 455/90.2, 90.3, 91,
455/128, 269, 344, 347, 562.1
See application file for complete search history.

6,177,911	B1	1/2001	Yuda et al.	
6,310,586	B1	10/2001	Takahashi et al.	
6,486,842	B2	11/2002	Wang	
6,501,427	B1	12/2002	Lilly et al.	
6,747,603	B1	6/2004	Tornatta et al.	
6,879,301	B2	4/2005	Kozlovski	
6,891,506	B2 *	5/2005	Jarmuszewski et al.	343/702
6,940,366	B2	9/2005	Komiya	
7,019,701	B2	3/2006	Ohno et al.	
7,037,144	B2	5/2006	Wang et al.	
7,148,850	B2	12/2006	Puente Baliarda et al.	
7,156,678	B2	1/2007	Feldman et al.	
7,164,386	B2	1/2007	Baliarda et al.	
7,170,459	B1	1/2007	McKim	
7,202,822	B2	4/2007	Baliarda et al.	
7,210,965	B1	5/2007	Zhong et al.	
D543,974	S *	6/2007	Oshima et al.	D14/230

(Continued)

FOREIGN PATENT DOCUMENTS

CN	201041825	3/2008
CN	101049878	7/2009

(Continued)

Primary Examiner — John Windmuller
(74) *Attorney, Agent, or Firm* — Wells St. John P.S.

(56) **References Cited**
U.S. PATENT DOCUMENTS

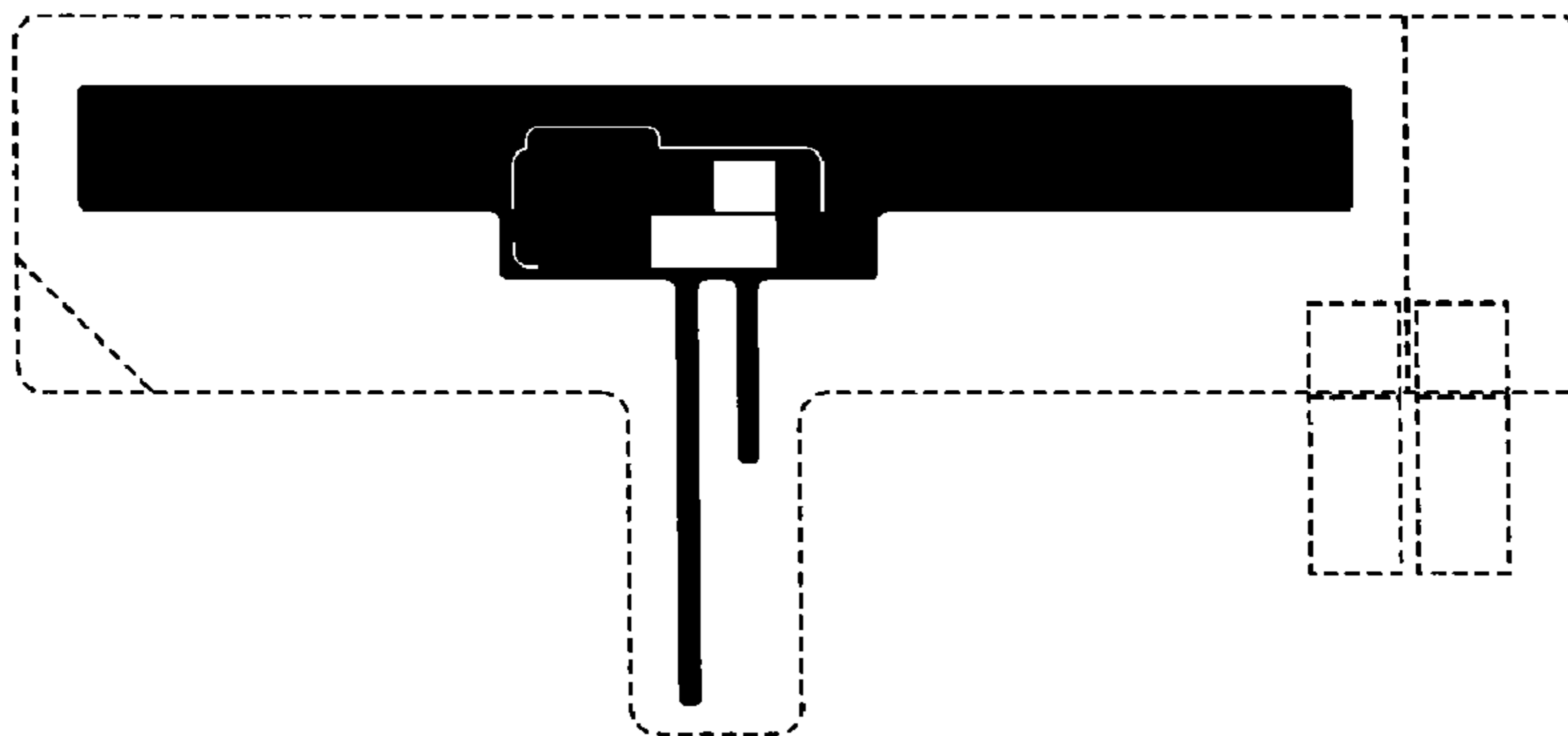
3,659,678	A	5/1972	Hall, Jr.
4,019,203	A	4/1977	Yamanashi et al.
4,490,003	A	12/1984	Robinson
4,563,659	A	1/1986	Sakamoto
4,781,623	A	11/1988	Philippson et al.
4,866,407	A	9/1989	Ikeda
5,195,014	A	3/1993	Krantz, Jr. et al.
5,198,958	A	3/1993	Krantz, Jr. et al.
5,363,114	A	11/1994	Shoemaker
5,525,071	A	6/1996	Obara et al.
5,565,877	A	10/1996	Du et al.
5,668,559	A	9/1997	Baro
5,732,440	A	3/1998	Wright
5,757,327	A	5/1998	Yajima et al.
5,797,771	A	8/1998	Garside
5,995,064	A	11/1999	Yanagisawa et al.
6,175,080	B1	1/2001	Nightingale

(57) **CLAIM**
I claim the ornamental design for a vehicle antenna, as shown and described.

DESCRIPTION

FIG. 1 is a plan view of the design for a vehicle antenna.
FIG. 2 is a bottom view thereof.
FIG. 3 is a rear view thereof.
FIG. 4 is a front view thereof.
FIG. 5 is a right view thereof; and,
FIG. 6 is a left view thereof.
The broken lines in the figures depict environment only and form no part of the claimed design.

1 Claim, 2 Drawing Sheets



(56)

References Cited

U.S. PATENT DOCUMENTS

7,271,773 B2 9/2007 Gorai et al.
 7,312,761 B2 12/2007 Gorai et al.
 7,394,438 B2 7/2008 Forster et al.
 7,414,588 B2 8/2008 Tateno
 7,420,517 B2 9/2008 Oshima et al.
 7,477,195 B2 * 1/2009 Vance 343/700 MS
 7,554,490 B2 6/2009 Baliarda et al.
 7,598,913 B2 10/2009 Rao et al.
 D603,850 S * 11/2009 Wu et al. D14/230
 7,671,504 B2 3/2010 Rohrer et al.
 7,845,983 B2 12/2010 Kawada et al.
 7,868,834 B2 1/2011 Ortigosa et al.
 D633,901 S * 3/2011 Tsai et al. D14/230
 D635,127 S * 3/2011 Tsai et al. D14/230
 D635,963 S * 4/2011 Podduturi D14/230
 7,928,913 B2 4/2011 Kaneda et al.
 7,952,533 B2 5/2011 Hur et al.
 7,961,065 B2 6/2011 Kobayashi et al.
 D649,962 S * 12/2011 Tseng et al. D14/230
 D651,198 S * 12/2011 Mi et al. D14/230
 D654,058 S * 2/2012 Mi et al. D14/230
 D654,059 S * 2/2012 Mi et al. D14/230
 8,207,893 B2 6/2012 Baliarda et al.
 8,212,726 B2 7/2012 Baliarda et al.
 D680,104 S * 4/2013 Huang et al. D14/230
 8,471,772 B2 6/2013 Baliarda et al.
 8,497,807 B2 7/2013 Wakui et al.
 8,502,742 B2 8/2013 Wakui et al.
 D694,738 S * 12/2013 Yang D14/230
 8,605,002 B2 12/2013 Nishi et al.
 D715,783 S * 10/2014 Forster et al. D14/230
 2001/0022716 A1 9/2001 Glaser et al.
 2001/0050649 A1 12/2001 Wang
 2002/0021254 A1 2/2002 Wang et al.
 2002/0050873 A1 5/2002 Tsunoda et al.
 2002/0080088 A1 6/2002 Boyle
 2003/0058186 A1 3/2003 Saito et al.
 2003/0112191 A1 6/2003 Maeda et al.
 2003/0228806 A1 12/2003 Wang et al.
 2004/0090366 A1 5/2004 Wong et al.
 2004/0119644 A1 6/2004 Puente-Baliarda et al.
 2004/0233108 A1 11/2004 Bordi
 2005/0017906 A1 * 1/2005 Man et al. 343/700 MS
 2005/0195112 A1 9/2005 Baliarda et al.
 2005/0200530 A1 9/2005 Aikawa et al.
 2005/0231427 A1 10/2005 Baliarda et al.
 2005/0264453 A1 12/2005 Baliarda et al.
 2006/0040562 A1 2/2006 Funatsu
 2006/0097937 A1 5/2006 Gorai et al.
 2006/0145931 A1 * 7/2006 Ranta 343/702
 2006/0187131 A1 8/2006 Oshima
 2006/0232488 A1 10/2006 Wang et al.
 2006/0274472 A1 12/2006 Saito et al.
 2006/0290587 A1 12/2006 Forster et al.
 2007/0152886 A1 7/2007 Baliarda et al.
 2007/0279302 A1 12/2007 Byrne et al.
 2008/0117111 A1 5/2008 Ikeda et al.
 2008/0198082 A1 8/2008 Soler Castany et al.
 2009/0002244 A1 * 1/2009 Woo 343/702
 2009/0109101 A1 4/2009 Baliarda et al.
 2009/0115551 A1 5/2009 Kobayashi et al.
 2009/0140927 A1 6/2009 Maeda et al.
 2009/0146906 A1 * 6/2009 Anguera Pros et al. 343/906
 2009/0153404 A1 6/2009 Ryou et al.
 2009/0156059 A1 6/2009 Zhu et al.
 2009/0207084 A1 8/2009 Ikeda et al.
 2009/0237313 A1 9/2009 Martinez Ortigosa
 2009/0267847 A1 10/2009 Sato et al.
 2009/0280688 A1 11/2009 Kawada et al.
 2009/0284441 A1 11/2009 Wakui
 2009/0295645 A1 12/2009 Campero et al.
 2009/0303134 A1 12/2009 Baliarda et al.
 2010/0007566 A1 1/2010 Kobayashi et al.

2010/0009565 A1 1/2010 Wang
 2010/0134358 A1 * 6/2010 Su et al. 343/700 MS
 2010/0245189 A1 9/2010 Wang
 2010/0265145 A1 10/2010 Chung
 2010/0265147 A1 10/2010 Wakui et al.
 2010/0277380 A1 11/2010 Breden et al.
 2011/0074524 A1 3/2011 Nishioka
 2011/0084889 A1 * 4/2011 Tsai et al. 343/846
 2011/0102269 A1 5/2011 Sato et al.
 2011/0177839 A1 7/2011 Baliarda et al.
 2011/0181478 A1 7/2011 Baliarda et al.
 2011/0181481 A1 7/2011 Baliarda et al.
 2011/0260934 A1 10/2011 Ilno et al.
 2012/0326934 A1 12/2012 Wakui et al.
 2013/0176180 A1 7/2013 Wakul et al.

FOREIGN PATENT DOCUMENTS

DE 60105892 10/2005
 EP 1143557 10/2001
 EP 1162685 12/2001
 JP S55-138913 10/1980
 JP S59-078711 5/1984
 JP S60-126963 7/1985
 JP 2-32223 2/1990
 JP H04-257111 9/1992
 JP H05-039009 2/1993
 JP H05-058223 3/1993
 JP H05-191124 7/1993
 JP H06-203897 7/1994
 JP H06-276013 9/1994
 JP 7-36381 4/1995
 JP H07-176929 7/1995
 JP H07-272942 10/1995
 JP H09-213528 8/1997
 JP H09-232851 9/1997
 JP H10-056315 2/1998
 JP H11-040920 2/1999
 JP 2000-353573 12/2000
 JP 2001-127522 5/2001
 JP 2001-291540 10/2001
 JP 2001-345613 12/2001
 JP 2002-359514 12/2002
 JP 2003-521146 7/2003
 JP 2003-264043 9/2003
 JP 2004-031068 1/2004
 JP 2004-082749 3/2004
 JP 2004-153502 5/2004
 JP 2004-159153 6/2004
 JP 2004-516700 6/2004
 JP 2005-102031 4/2005
 JP 2005-110200 4/2005
 JP 2006-033172 2/2006
 JP 2006-059646 3/2006
 JP 2006-108848 4/2006
 JP 2006-121369 5/2006
 JP 2006-166041 6/2006
 JP 2006-178647 6/2006
 JP 2006-186881 7/2006
 JP 2007-036354 2/2007
 JP 2007-072952 3/2007
 JP 2007-124892 5/2007
 JP 2008/035479 2/2008
 JP 2008-523671 7/2008
 JP 2009-290377 12/2009
 JP 2010-021856 1/2010
 JP 2011-035519 2/2011
 WO WO 01/31736 5/2001
 WO WO 2007/020902 2/2007
 WO PCT/JP2007/000505 5/2007
 WO WO 2008/001482 1/2008
 WO WO 2008/062746 5/2008
 WO PCT/JP2010/058364 5/2010
 WO PCT/JP2012/050527 3/2012

* cited by examiner

FIG. 1

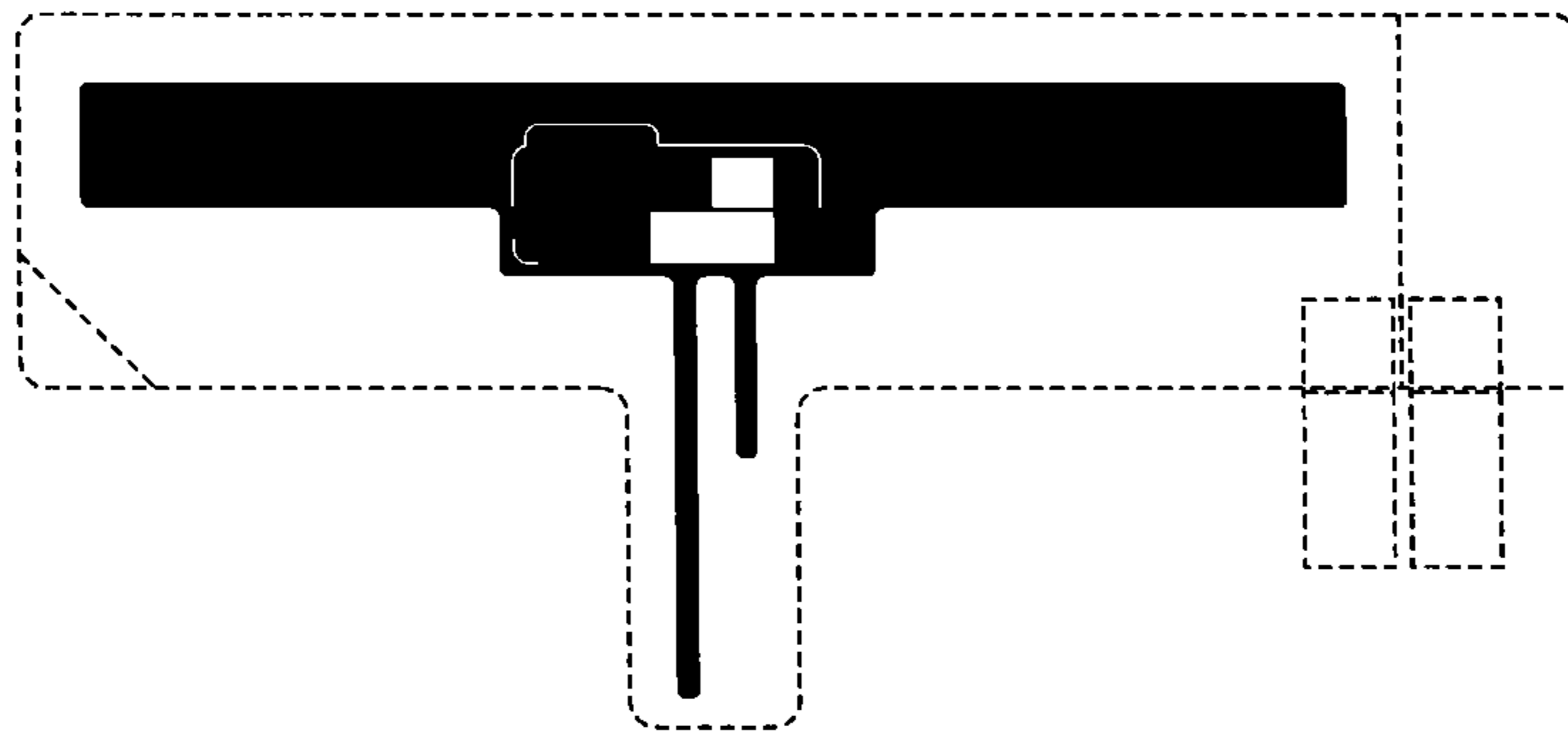


FIG. 2

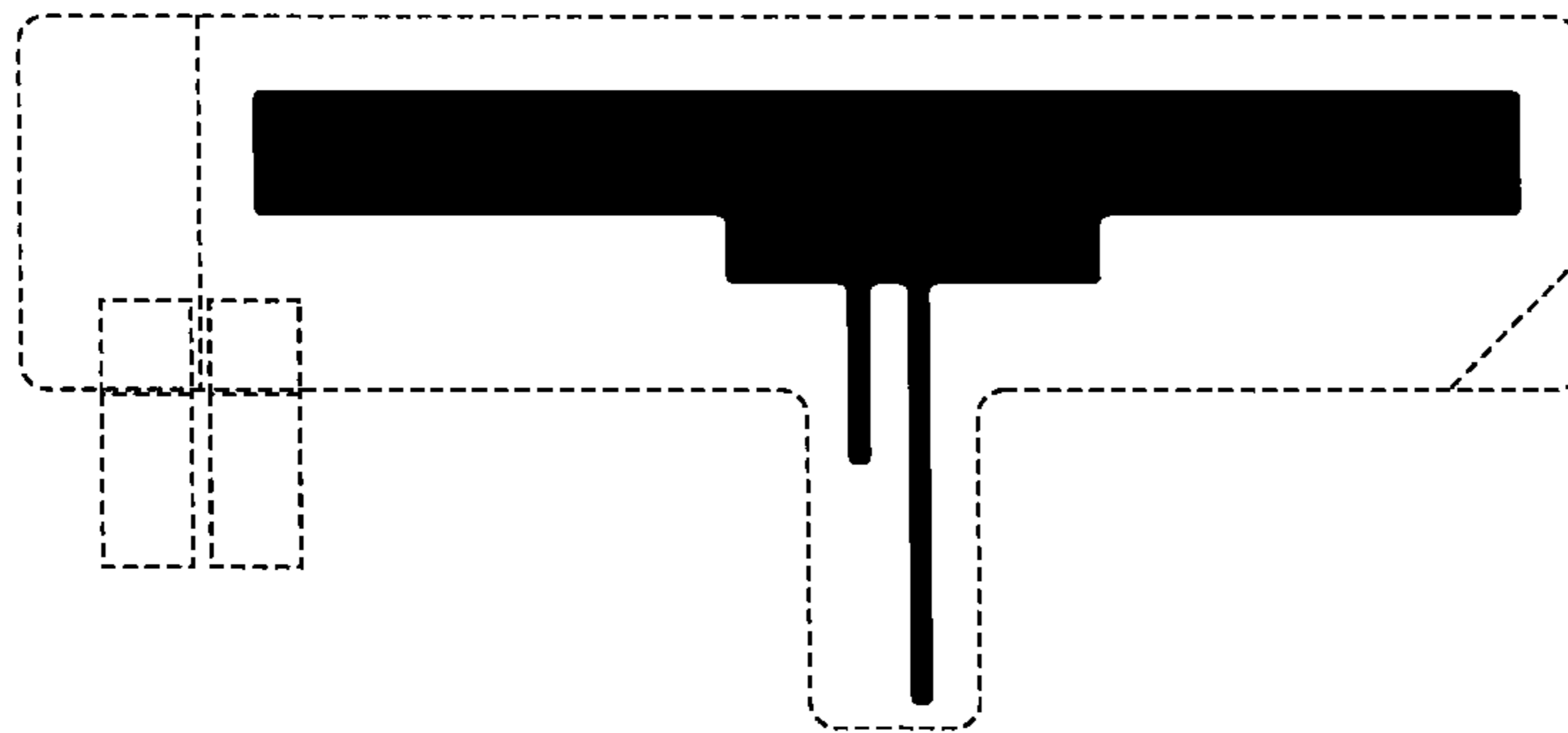


FIG. 3



FIG. 4



FIG. 5



FIG. 6

