



US00D726695S

(12) **United States Design Patent**
Cano, Jr.

(10) **Patent No.:** **US D726,695 S**
(45) **Date of Patent:** **** Apr. 14, 2015**

- (54) **HEADPHONE CORD SLEEVE**
- (71) Applicant: **Miguel A. Cano, Jr.**, Chicago, IL (US)
- (72) Inventor: **Miguel A. Cano, Jr.**, Chicago, IL (US)
- (**) Term: **14 Years**
- (21) Appl. No.: **29/489,589**
- (22) Filed: **Apr. 30, 2014**

Related U.S. Application Data

- (63) Continuation of application No. 13/118,359, filed on May 27, 2011, now abandoned.
- (51) **LOC (10) Cl.** **14-01**
- (52) **U.S. Cl.**
USPC **D14/224**
- (58) **Field of Classification Search**
CPC H04R 25/00
USPC D14/224, 224.1, 217; D8/356;
D16/100, 330; D21/694; 24/3.3, 16 R,
24/16 PB; D23/223; 381/327, 370, 385,
381/388, 384; 174/68.3, 137 R; 439/367,
439/501; 220/4.04
See application file for complete search history.

(56) **References Cited**

U.S. PATENT DOCUMENTS

666,960	A *	1/1901	Fuller et al.	248/61
D35,028	S *	9/1901	Ricker	D8/396
835,406	A *	11/1906	Dawson	403/272
1,453,311	A *	5/1923	Engel, Sr.	210/394
1,550,012	A *	8/1925	Cushway	381/384
2,043,044	A *	6/1936	Knoderer	174/102 D
2,819,650	A *	1/1958	Seron	351/156
3,093,448	A *	6/1963	Kirkpatrick et al.	264/272.11
3,226,882	A *	1/1966	Lichtenthaler	47/42

3,409,948	A *	11/1968	Goodwin	24/16 R
3,899,807	A *	8/1975	Sovish et al.	24/20 R
D272,617	S *	2/1984	Lopez	D12/192
4,541,696	A *	9/1985	Winger et al.	351/123
4,838,416	A *	6/1989	Carman	206/315.2
5,050,884	A *	9/1991	Flory	473/282
D445,856	S *	7/2001	McCraw	D21/684
D464,875	S *	10/2002	Koppang	D9/711
6,916,992	B1 *	7/2005	Ortiz	174/138 F
D582,354	S *	12/2008	Andre et al.	D13/158
7,883,301	B2 *	2/2011	Oostman	408/67
D642,644	S *	8/2011	Cutler	D21/771
D667,390	S *	9/2012	Matera	D14/223
8,625,836	B2 *	1/2014	Aase et al.	381/384
2009/0238395	A1 *	9/2009	Jubelirer et al.	381/370
2009/0272570	A1 *	11/2009	Chen	174/350

* cited by examiner

Primary Examiner — Paula Greene

(74) *Attorney, Agent, or Firm* — Richards Patent Law P.C.

(57) **CLAIM**

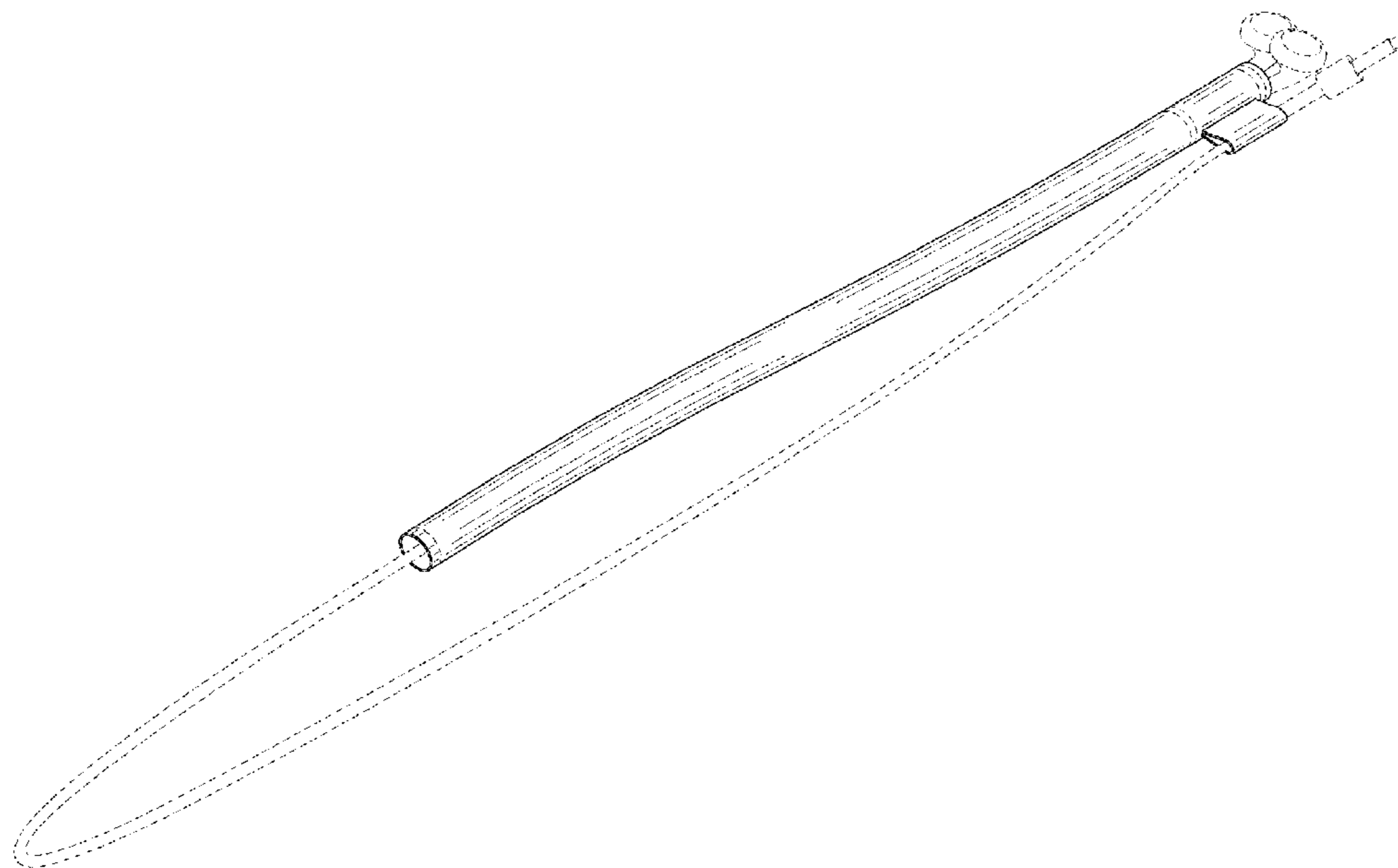
The ornamental design for a headphone cord sleeve, as shown and described.

DESCRIPTION

FIG. 1 is a top perspective view of a headphone cord sleeve showing my new design in combination with headphones; FIG. 2 is a top perspective view of the headphone cord sleeve; FIG. 3 is a front perspective view thereof; FIG. 4 is a back view thereof; FIG. 5 is a side view thereof; FIG. 6 is a side view thereof; FIG. 7 is a top view thereof; and, FIG. 8 is a bottom view thereof.

Those portions of the figures that are presented in broken lines merely illustrate the environment of the design and are not part of the claimed design.

1 Claim, 2 Drawing Sheets



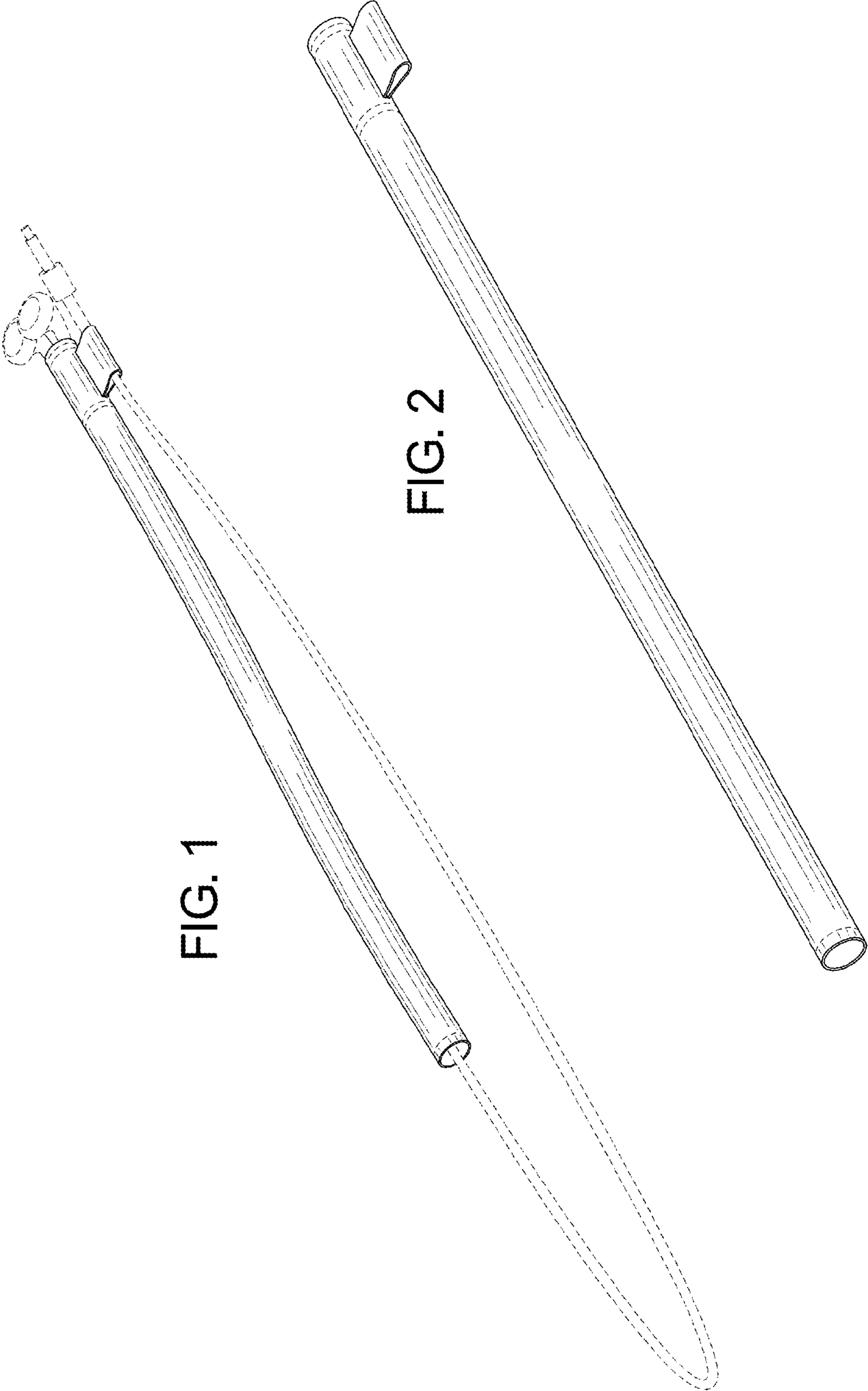


FIG. 1

FIG. 2

FIG. 3

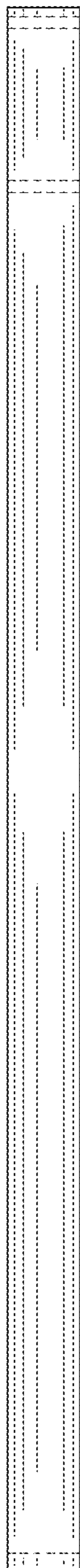


FIG. 7

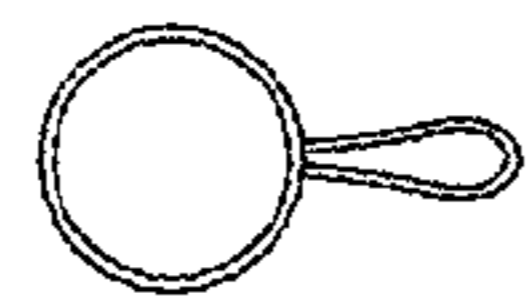


FIG. 4



FIG. 5

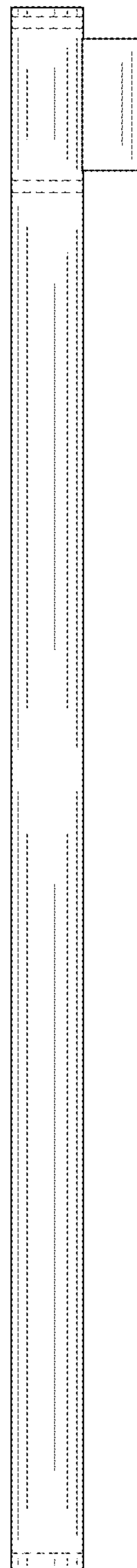


FIG. 8

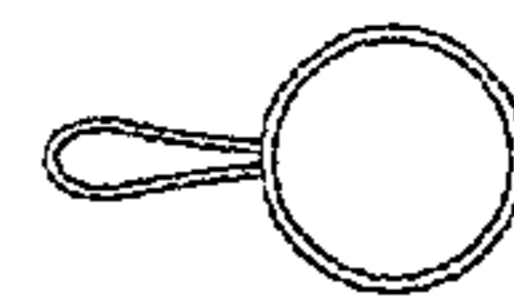


FIG. 6

