



US00D726693S

(12) **United States Design Patent**  
**Behar et al.**

(10) **Patent No.:** **US D726,693 S**  
(45) **Date of Patent:** **\*\* Apr. 14, 2015**

(54) **EAR PIECE**

(71) Applicant: **AliphCom**, San Francisco, CA (US)

(72) Inventors: **Yves Albert Behar**, San Francisco, CA (US); **Qin Li**, San Francisco, CA (US); **Diana Chang**, San Francisco, CA (US)

(73) Assignee: **AliphCom**, San Francisco, CA (US)

(\*\*) Term: **14 Years**

(21) Appl. No.: **29/470,964**

(22) Filed: **Oct. 25, 2013**

(51) **LOC (10) Cl.** ..... **14-01**

(52) **U.S. Cl.**  
USPC ..... **D14/223**

(58) **Field of Classification Search**  
CPC ..... H04R 1/10  
USPC ..... D14/223, 206; 181/129, 130, 135;  
379/430, 431, 420.01–420.04, 433.11;  
381/380, 381; 455/90.3, 575.1

See application file for complete search history.

(56) **References Cited**

**U.S. PATENT DOCUMENTS**

3,440,365	A *	4/1969	Hazell et al.	379/430
4,652,414	A *	3/1987	Schlaegel	264/154
D471,898	S *	3/2003	Bae	D14/223
6,690,807	B1 *	2/2004	Meyer	381/327
6,760,459	B2 *	7/2004	Bae	381/375
D538,271	S *	3/2007	Kim et al.	D14/223
D553,613	S *	10/2007	Sade et al.	D14/223
D566,108	S *	4/2008	Kan	D14/223
D568,301	S *	5/2008	Kim et al.	D14/223
D573,983	S *	7/2008	Bang et al.	D14/223
D582,398	S *	12/2008	Nam et al.	D14/223
D582,897	S *	12/2008	Christopher et al.	D14/223
D584,294	S *	1/2009	Nam et al.	D14/223
D585,431	S *	1/2009	Bradford et al.	D14/223
7,778,410	B2 *	8/2010	Liu et al.	379/430
D628,194	S *	11/2010	Koch	D14/223

D629,396	S *	12/2010	Andre et al.	D14/223
D632,674	S	2/2011	Behar et al.	
D632,675	S	2/2011	Behar et al.	
D632,676	S	2/2011	Behar et al.	
D633,480	S	3/2011	Behar et al.	
D641,341	S	7/2011	Behar et al.	
D643,420	S *	8/2011	Huang	D14/223

(Continued)

**FOREIGN PATENT DOCUMENTS**

CA	D 136330	6/2011
CA	D 136331	6/2011

(Continued)

**OTHER PUBLICATIONS**

European Design Certificate No. 001226781-0002, dated Sep. 9, 2010, 4 pages.

(Continued)

*Primary Examiner* — Paula Greene

(74) *Attorney, Agent, or Firm* — Kilpatrick Townsend & Stockton LLP

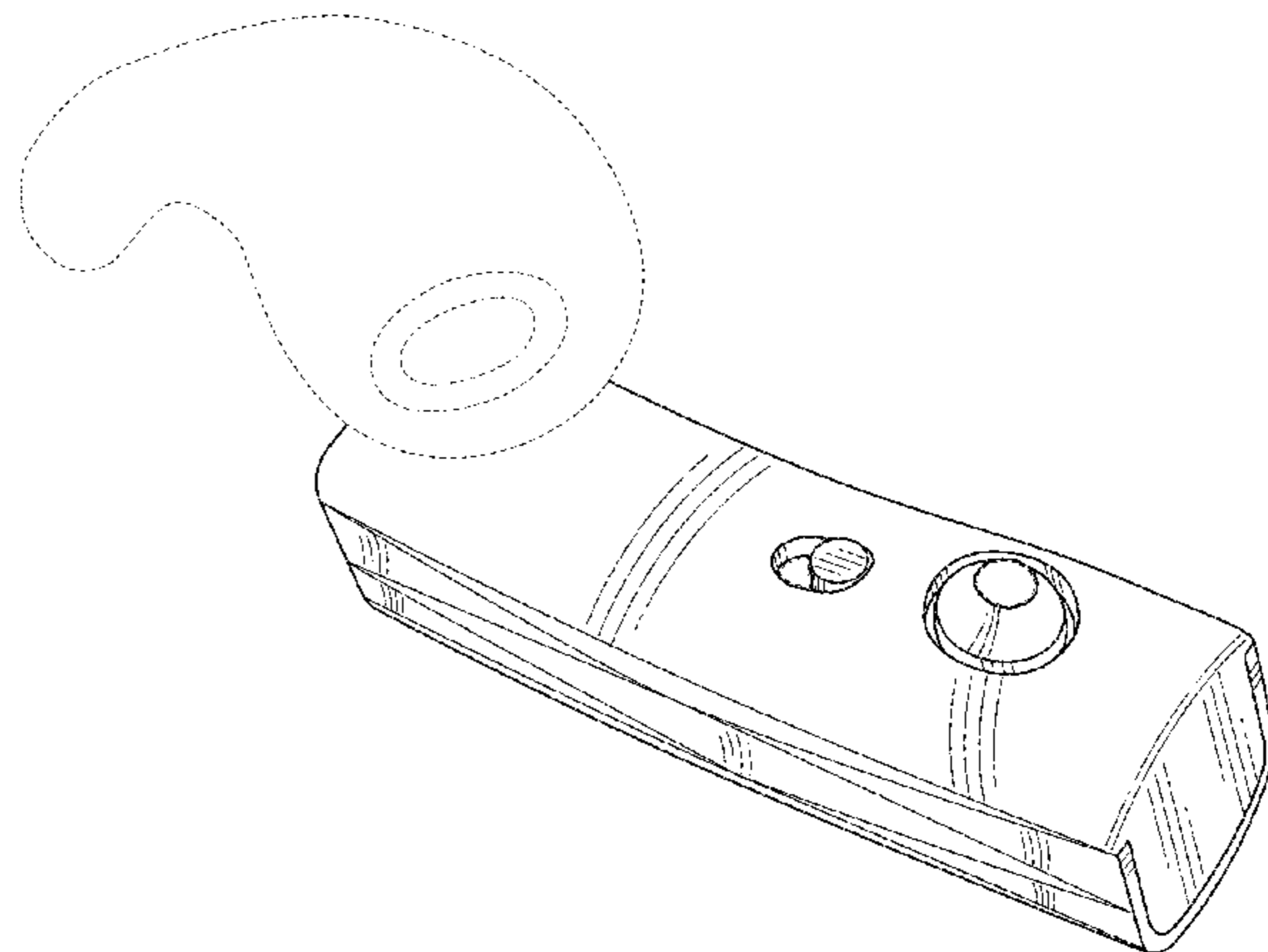
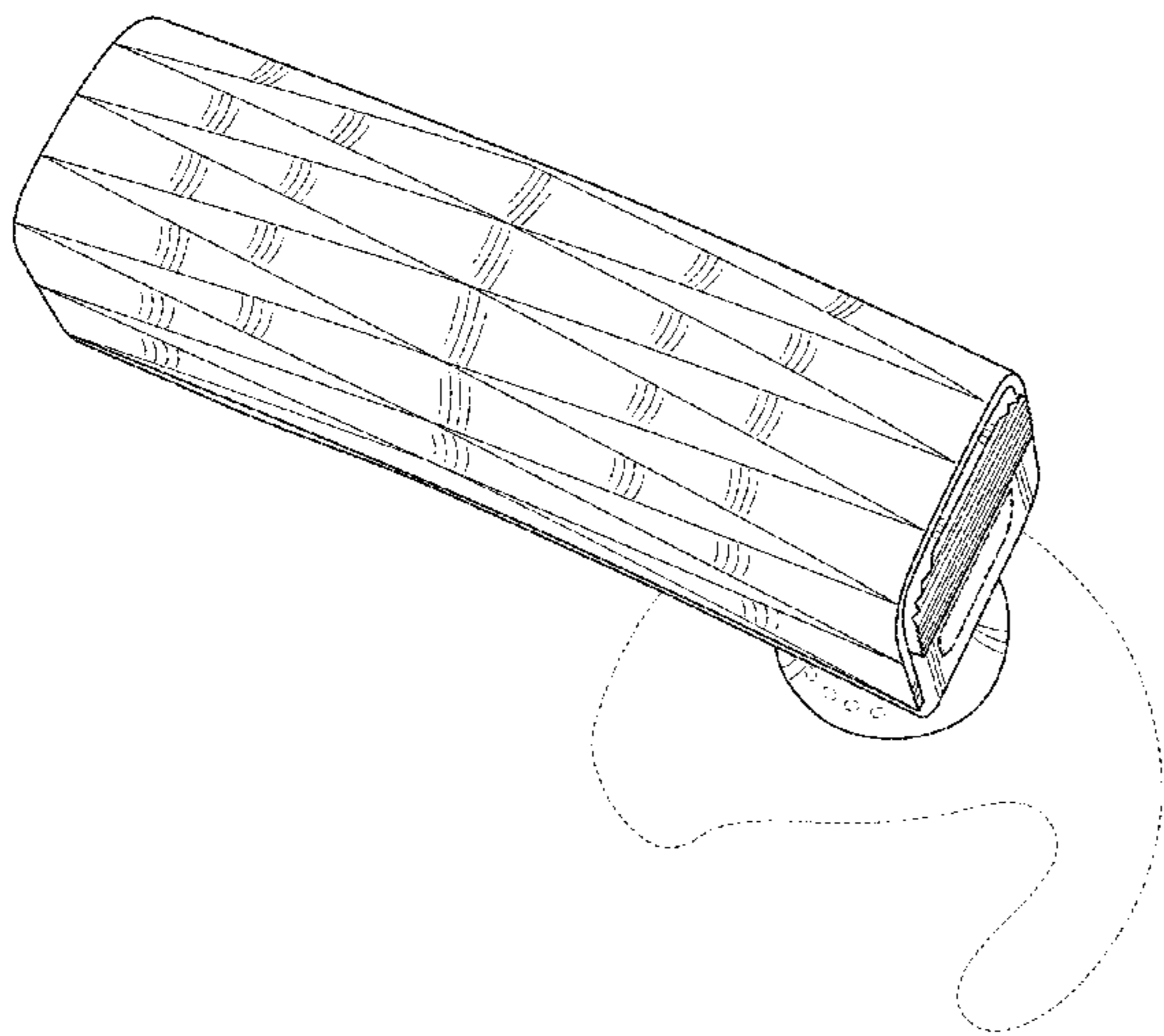
(57) **CLAIM**

The ornamental design for an ear piece, as shown and described.

**DESCRIPTION**

FIG. 1 is a front perspective view of an ear piece showing our new design;  
FIG. 2 is a rear perspective view thereof;  
FIG. 3 is a top plan elevational view thereof;  
FIG. 4 is a front elevational view thereof;  
FIG. 5 is a bottom plan elevational view thereof;  
FIG. 6 is a right side elevational view thereof; and,  
FIG. 7 is a left side elevational view thereof.  
Broken lines showing on the drawing disclosure are for illustrative purposes only and form no part of the claimed design.

**1 Claim, 6 Drawing Sheets**



(56)

**References Cited**

**OTHER PUBLICATIONS**

**U.S. PATENT DOCUMENTS**

D645,026 S 9/2011 Behar et al.  
D648,709 S 11/2011 Behar et al.  
D649,957 S \* 12/2011 Fahrendorff et al. .... D14/223  
D656,490 S \* 3/2012 Birger ..... D14/223  
D657,781 S \* 4/2012 Yang ..... D14/223  
D664,948 S 8/2012 Behar et al.  
D664,949 S 8/2012 Behar et al.

**FOREIGN PATENT DOCUMENTS**

CA D 136332 6/2011  
CA D 136333 6/2011  
CA D 136334 6/2011

European Design Certificate No. 001226781-0003, dated Sep. 9,  
2010, 4 pages.

European Design Certificate No. 001226781-0004, dated Sep. 9,  
2010, 4 pages.

European Design Certificate No. 001226781-0005, dated Sep. 9,  
2010, 4 pages.

\* cited by examiner

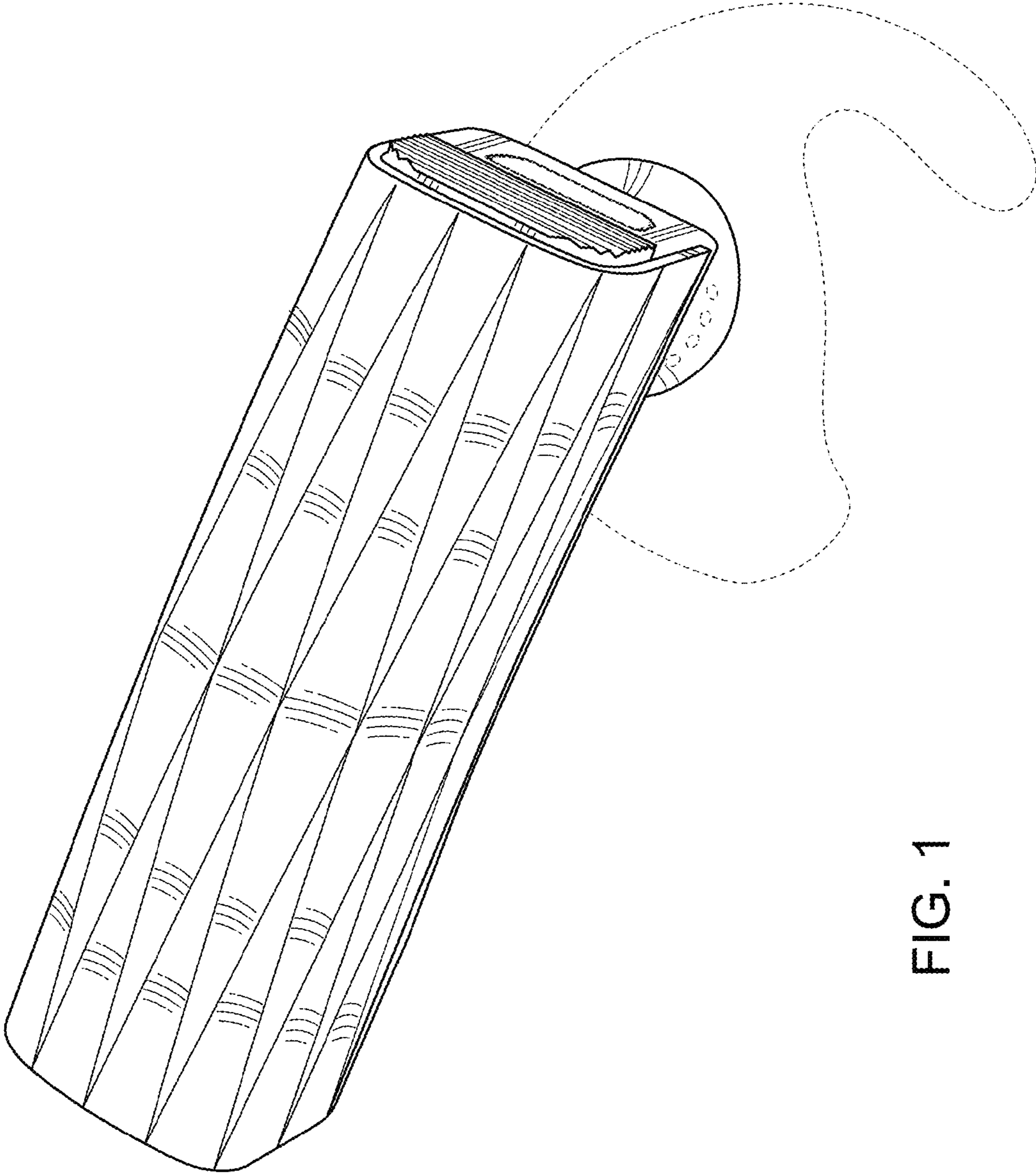


FIG. 1

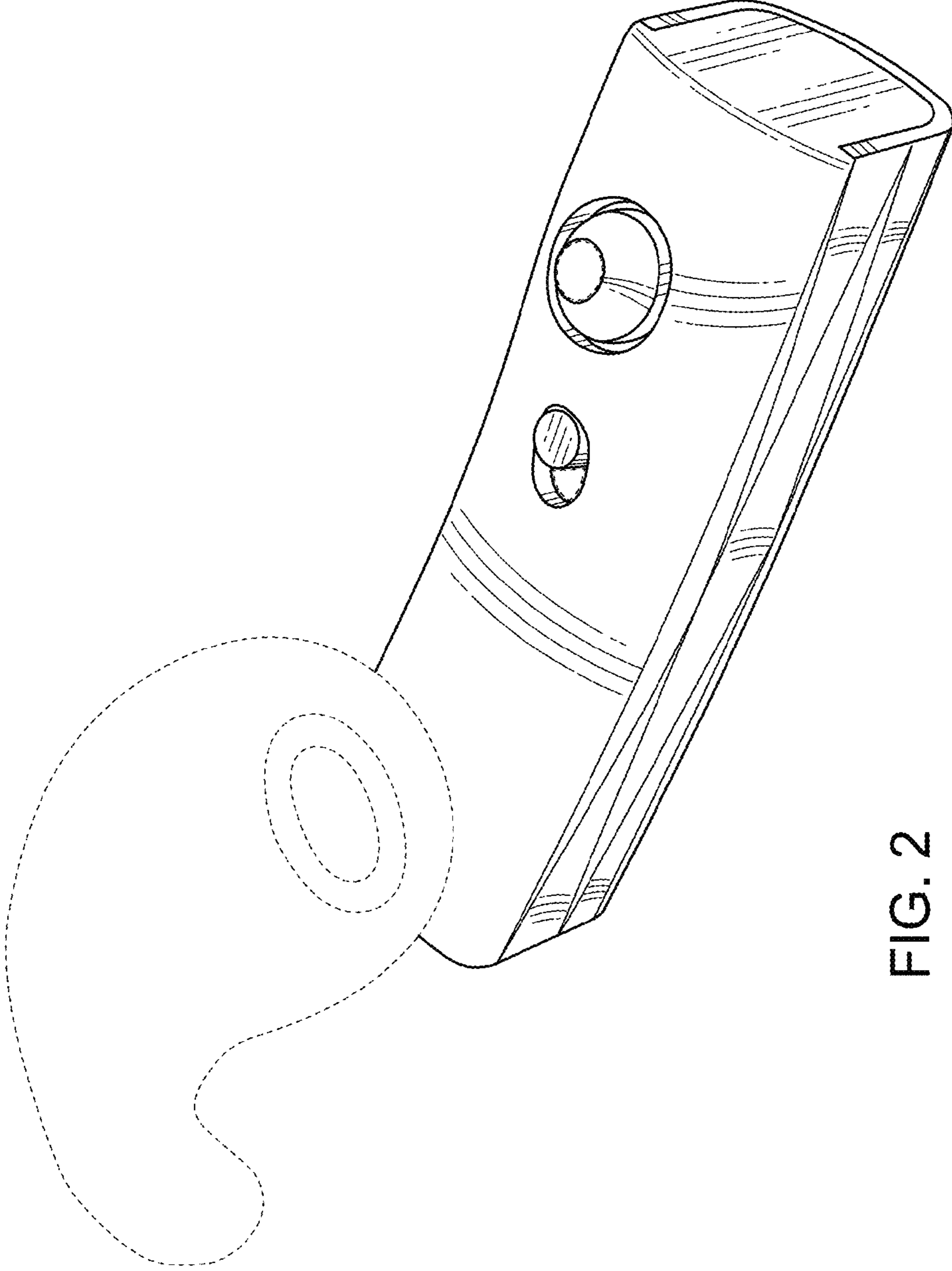


FIG. 2

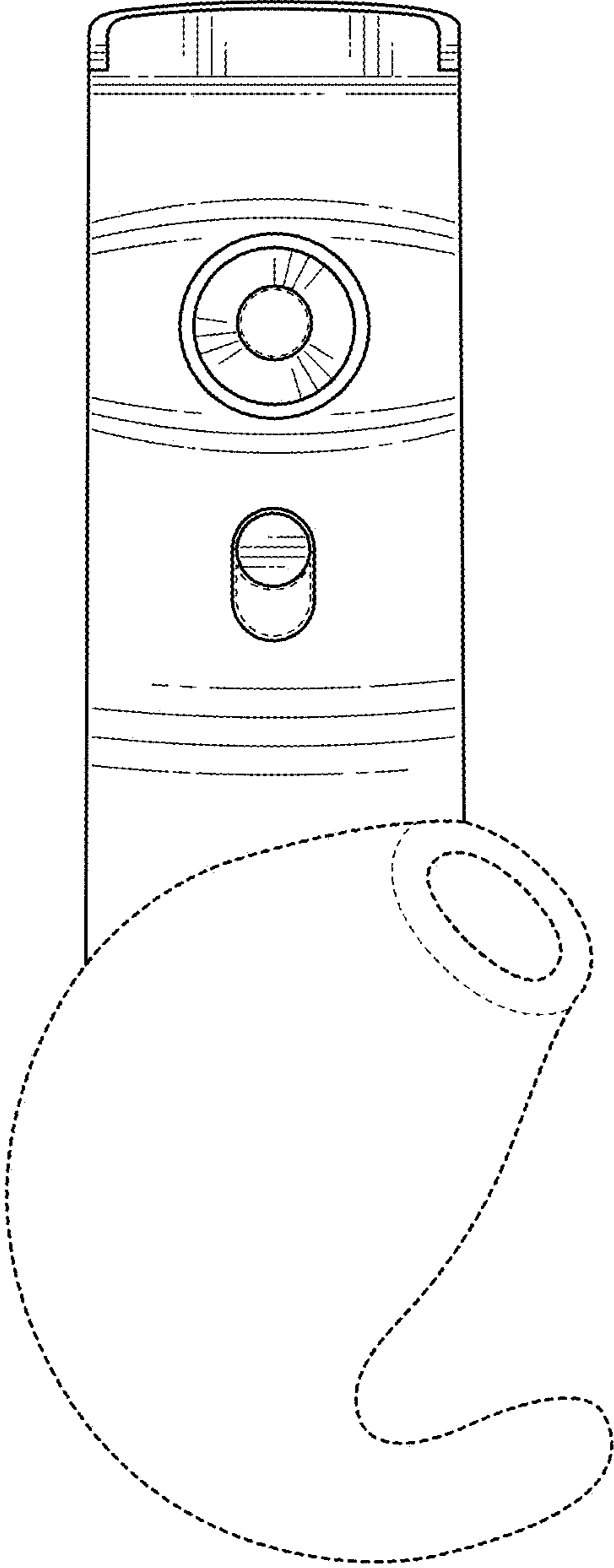


FIG. 3

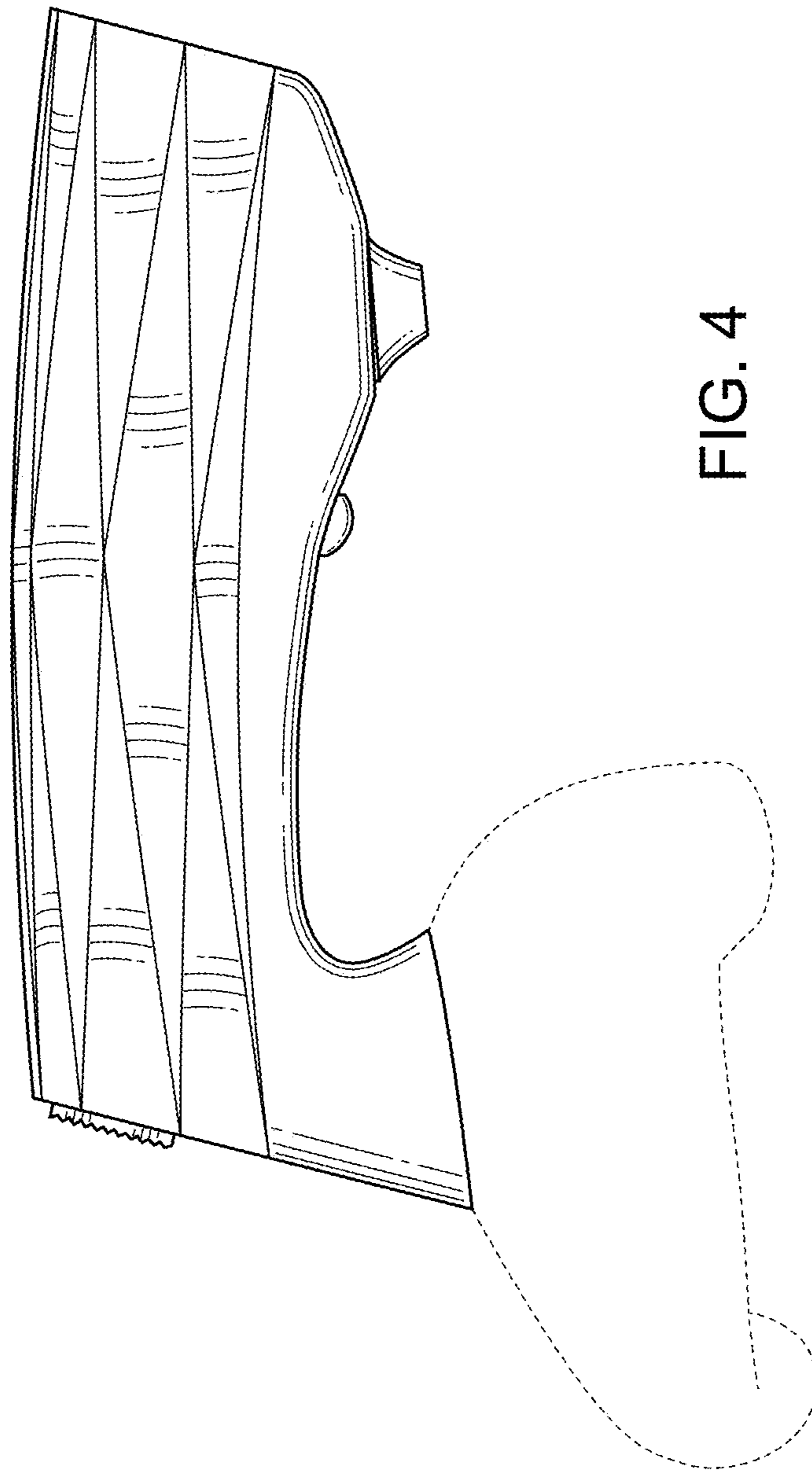


FIG. 4

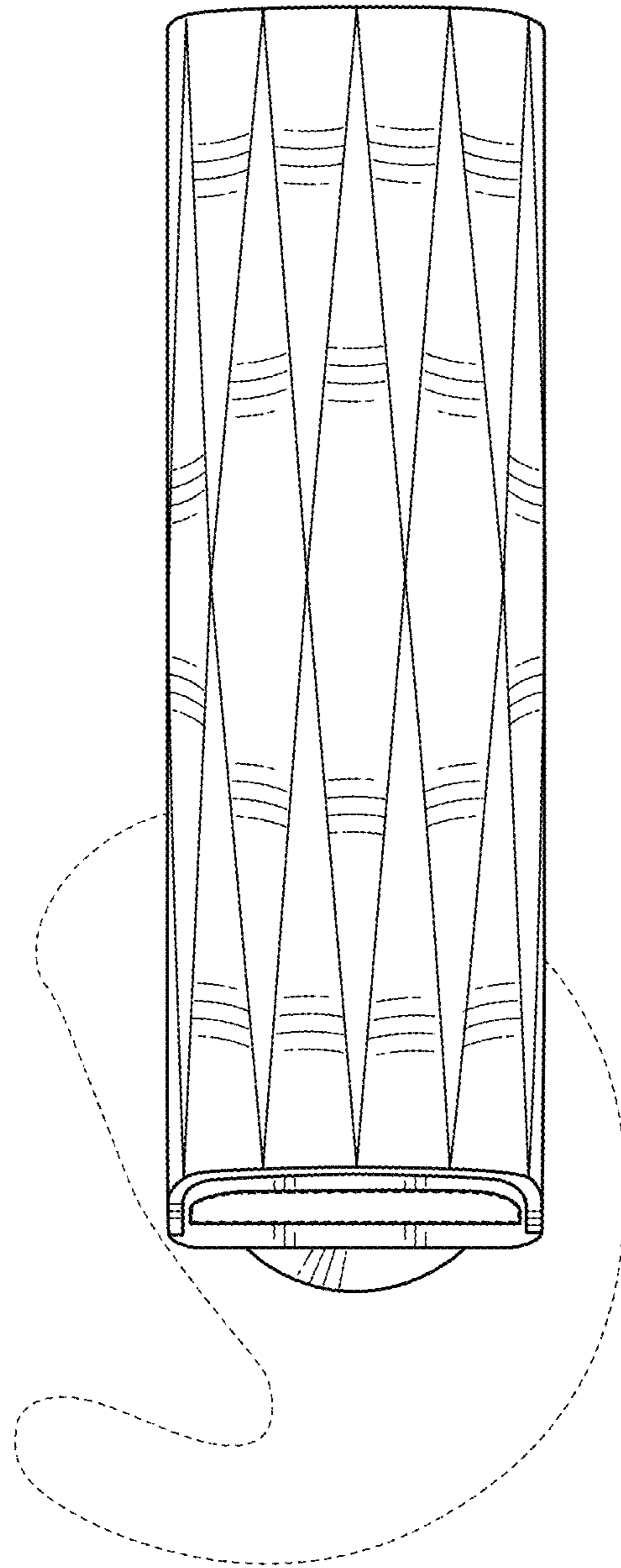


FIG. 5

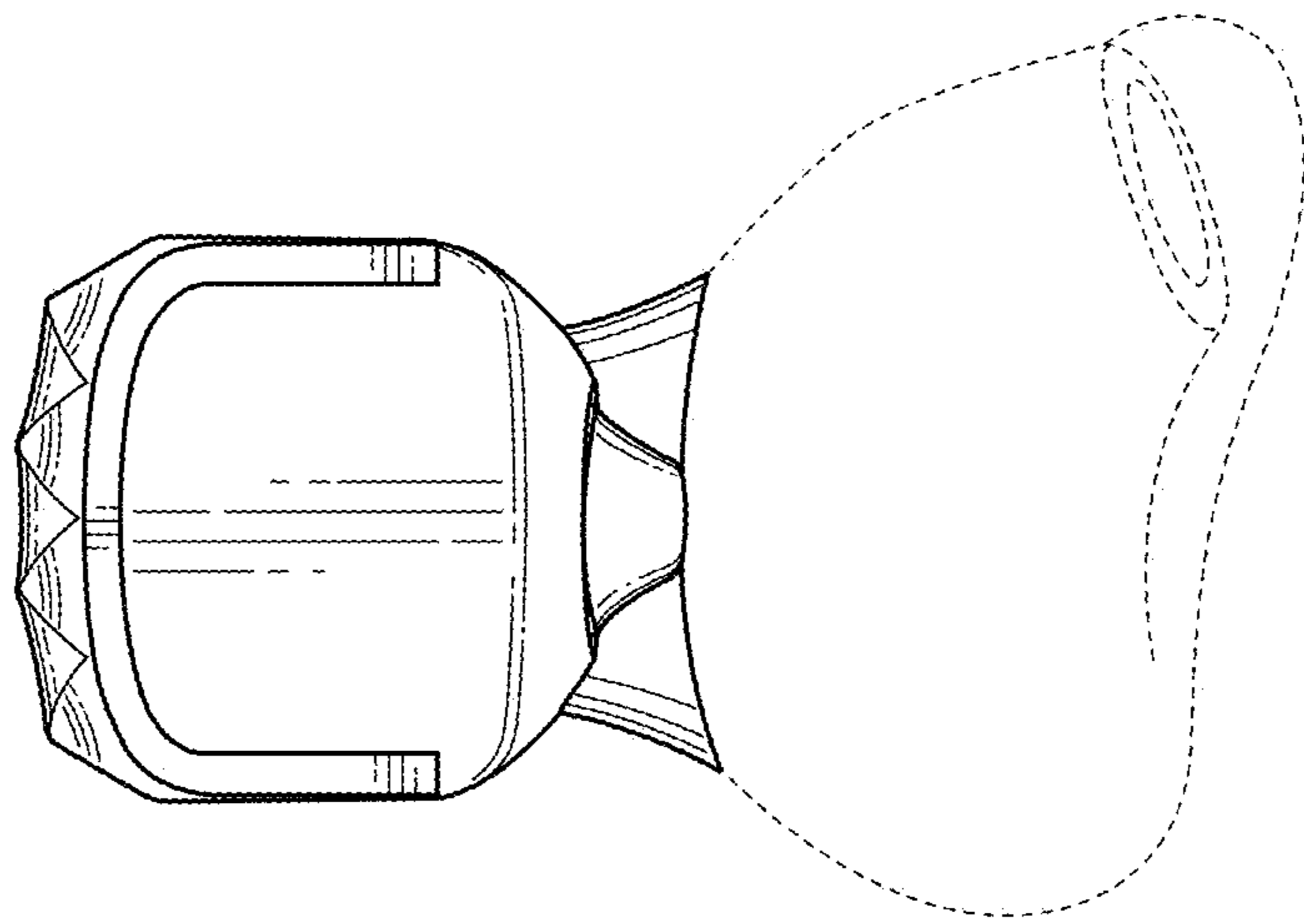


FIG. 7

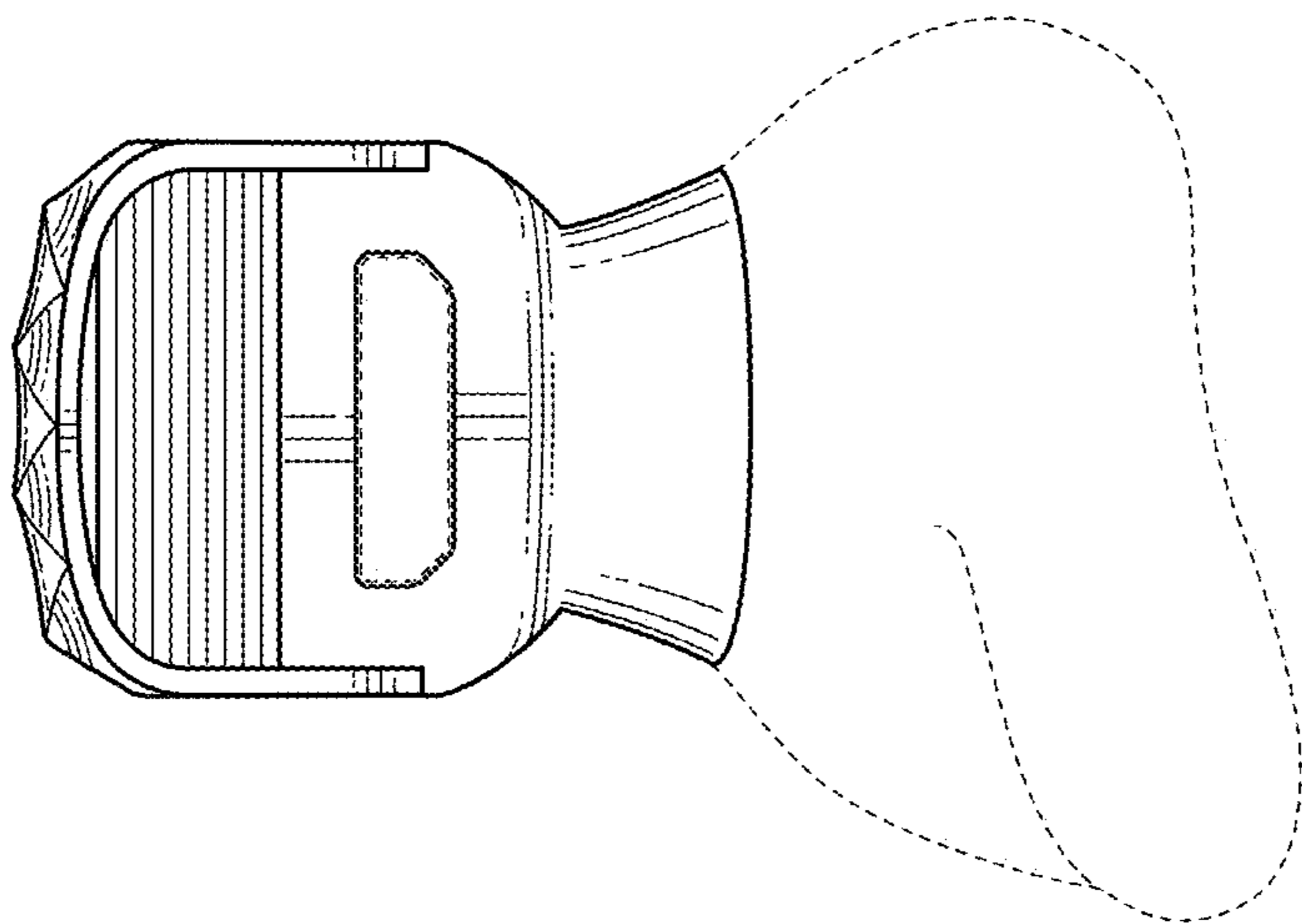


FIG. 6