



US00D726690S

(12) **United States Design Patent**
Andre et al.

(10) **Patent No.:** **US D726,690 S**
(45) **Date of Patent:** **** Apr. 14, 2015**

(54) **DOCKING STATION**

- (71) Applicant: **Apple Inc.**, Cupertino, CA (US)
- (72) Inventors: **Bartley K. Andre**, Palo Alto, CA (US);
Daniel J Coster, Francisco, CA (US);
Daniele De Iuliis, San Francisco, CA (US); **Richard P. Howarth**, San Francisco, CA (US); **Jonathan P. Ive**, San Francisco, CA (US); **Duncan Robert Kerr**, San Francisco, CA (US); **Shin Nishibori**, Kailua, HI (US); **Matthew Dean Rohrbach**, San Francisco, CA (US); **Douglas B. Satzger**, Menlo Park, CA (US); **Calvin Q. Seid**, Palo Alto, CA (US); **Christopher J. Stringer**, Woodside, CA (US); **Eugene Antony Whang**, San Francisco, CA (US); **Rico Zörkendörfer**, San Francisco, CA (US)
- (73) Assignee: **Apple Inc.**, Cupertino, CA (US)
- (**) Term: **14 Years**
- (21) Appl. No.: **29/461,475**
- (22) Filed: **Jul. 23, 2013**

Related U.S. Application Data

- (63) Continuation of application No. 29/425,719, filed on Jun. 26, 2012, now Pat. No. Des. 686,595, which is a continuation of application No. 29/237,687, filed on Sep. 2, 2005, now Pat. No. Des. 662,491.
 - (51) **LOC (10) Cl.** **14-03**
 - (52) **U.S. Cl.**
USPC **D14/217**
 - (58) **Field of Classification Search**
USPC D14/142, 149, 155, 157, 188, 191–193, D14/203.1–203.8, 217, 238.1, 251, 253, D14/432–435.1, 447, 451, 474, D14/480.1–480.7, 496; D13/107, 108, 118; D3/218; 248/221.11, 309.1; 320/107, 320/110, 113–115; 361/600; 439/529, 534; 455/556.1–556.2, 557
- See application file for complete search history.

(56) **References Cited**

U.S. PATENT DOCUMENTS

D288,555 S 3/1987 Gemmell
D327,060 S 6/1992 Wachob et al.

(Continued)

OTHER PUBLICATIONS

“iPod Dock Cradle,” downloaded Apr. 11, 2003, <www.bookendzdocks.com/bookendz/dock_cradle.htm>.

(Continued)

Primary Examiner — Keli L Hill

(74) *Attorney, Agent, or Firm* — Sterne, Kessler, Goldstein & Fox P.L.L.C.

(57) **CLAIM**

The ornamental design for a docking station, as shown and described.

DESCRIPTION

An example of a representative electronic device is shown and described, for example, in U.S. Design Pat. No. D538,820 and entitled “Media Device,” which is hereby incorporated by reference.

FIG. 1 is a top front perspective view of a docking station showing our new design;

FIG. 2 is a top rear perspective view thereof;

FIG. 3 is a top view thereof;

FIG. 4 is a bottom view thereof;

FIG. 5 is a front view thereof;

FIG. 6 is a rear view thereof;

FIG. 7 is a left side view thereof;

FIG. 8 is a right side view thereof;

FIG. 9 is a front view of a representative electronic device being inserted into the docking station;

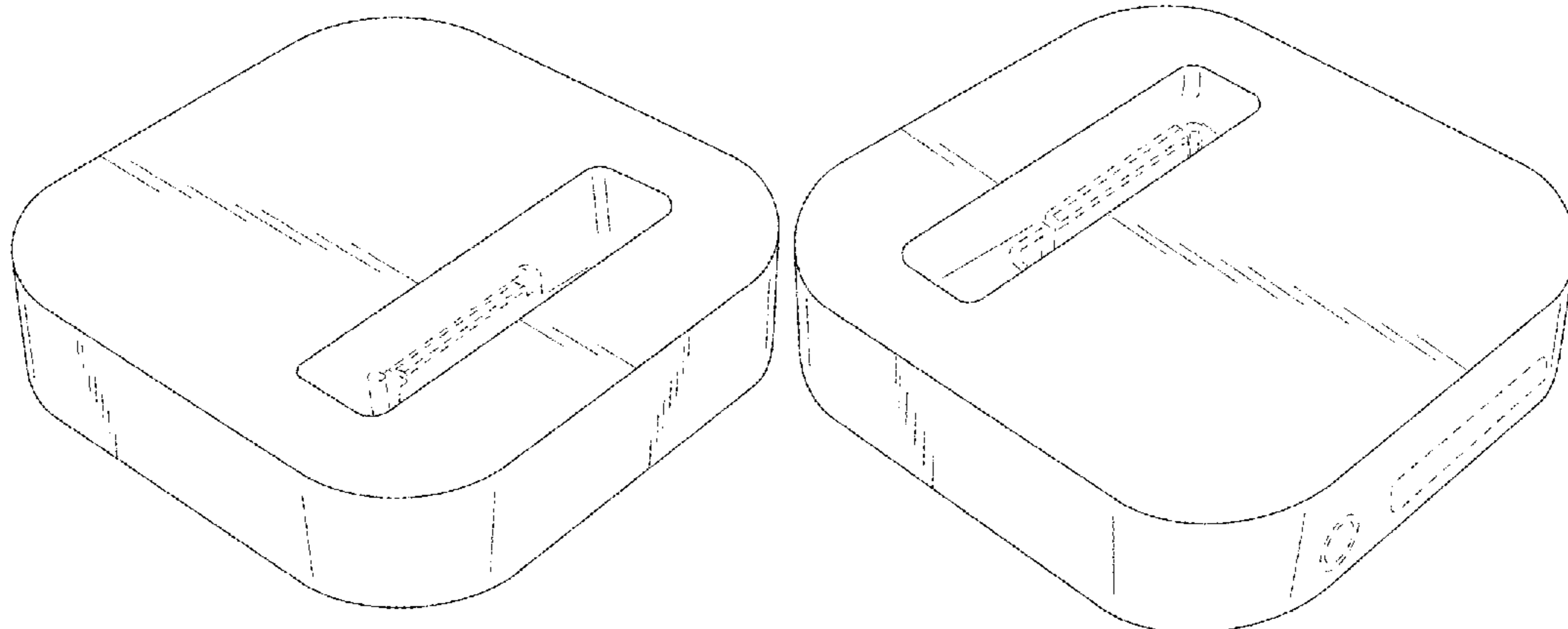
FIG. 10 is a front view of the docking station with the representative electronic device inserted therein; and,

FIG. 11 is a side view of the docking station with the representative electronic device inserted therein.

The broken lines in the Figures show portions of the docking station that form no part of the claimed design. The broken lines in the Figures showing the representative electronic device show environmental structure only and form no part of the claimed design.

The shade lines in the Figures show contour and not surface ornamentation.

1 Claim, 6 Drawing Sheets



(56)

References Cited

U.S. PATENT DOCUMENTS

D328,277 S 7/1992 Leman et al.
 D336,631 S 6/1993 Ivester
 D350,330 S 9/1994 Peterson
 D374,858 S 10/1996 Chu
 5,600,225 A 2/1997 Goto
 5,627,727 A 5/1997 Aguilera et al.
 5,627,777 A 5/1997 Tamanoi et al.
 D385,530 S 10/1997 Hames et al.
 D388,764 S 1/1998 Bartling et al.
 D397,996 S 9/1998 Smith
 D409,987 S 5/1999 Okumura
 D411,166 S 6/1999 Uemura et al.
 5,952,814 A 9/1999 Van Lerberghe
 D416,536 S 11/1999 Ross et al.
 D419,160 S 1/2000 Davidson et al.
 6,042,414 A 3/2000 Kunert
 D422,556 S 4/2000 Okura et al.
 D439,908 S 4/2001 Gozani
 D440,542 S 4/2001 Hawkins et al.
 D442,939 S 5/2001 Goldenburg
 D444,121 S 6/2001 Chun et al.
 D444,124 S 6/2001 Casey et al.
 6,307,348 B1 10/2001 Green
 D450,707 S 11/2001 Francavilla et al.
 D454,332 S 3/2002 Yokoyama
 D459,299 S 6/2002 Hughes et al.
 D461,476 S 8/2002 Evers et al.
 D463,361 S 9/2002 Ruohonen
 D466,122 S 11/2002 Moody
 D468,305 S 1/2003 Ma et al.
 6,524,240 B1 2/2003 Thede
 D472,900 S 4/2003 Matsumoto
 D477,823 S 7/2003 Lavello, Sr.
 D487,897 S 3/2004 Huang et al.
 6,711,005 B2 3/2004 Martin
 D495,336 S 8/2004 Andre et al.
 6,798,547 B2 9/2004 Wilson et al.
 6,798,647 B2 9/2004 Dickie
 6,813,528 B1 11/2004 Yang
 D503,679 S 4/2005 Andre et al.
 6,898,080 B2 5/2005 Yin et al.
 D510,091 S 9/2005 Mori et al.
 D510,991 S 10/2005 Harbutt et al.
 D525,616 S 7/2006 Andre et al.
 7,075,579 B2 7/2006 Whitby et al.
 D526,321 S 8/2006 Hayes et al.
 D526,648 S 8/2006 Andre et al.

D530,717 S 10/2006 Mori et al.
 D532,005 S 11/2006 Leith
 D533,177 S 12/2006 Andre et al.
 7,145,603 B2 12/2006 Whitby et al.
 D535,314 S 1/2007 Chang
 D535,614 S 1/2007 Majanen et al.
 D542,288 S 5/2007 Andre et al.
 D551,212 S 9/2007 Andre et al.
 D551,213 S 9/2007 Andre et al.
 D552,085 S 10/2007 Andre et al.
 D558,738 S 1/2008 Andre et al.
 D558,739 S 1/2008 Andre et al.
 D590,770 S 4/2009 Moss
 D592,187 S 5/2009 Ledbetter et al.
 D596,621 S 7/2009 Andre et al.
 7,580,255 B2 8/2009 Crooijmans et al.
 7,719,830 B2 5/2010 Howarth et al.
 D648,707 S 11/2011 Akana et al.
 D660,794 S 5/2012 Fahrendorff et al.
 D662,471 S 6/2012 Fahrendorff et al.
 D662,491 S 6/2012 Andre et al.
 D685,321 S * 7/2013 Smith et al. D13/108
 D686,595 S 7/2013 Andre et al.
 D687,377 S * 8/2013 Huang et al. D13/108
 D697,475 S * 1/2014 Regole D13/108
 D700,614 S * 3/2014 Hamblet D14/447
 D702,664 S * 4/2014 Kim D14/217
 D702,665 S * 4/2014 Kim D14/217
 8,724,837 B2 * 5/2014 Crooijmans et al. 381/335
 2002/0103008 A1 8/2002 Rahn et al.
 2003/0198015 A1 10/2003 Vogt
 2007/0047198 A1 3/2007 Crooijmans et al.
 2009/0009957 A1 1/2009 Crooijmans et al.

OTHER PUBLICATIONS

“BookEndz Home Page,” downloaded Apr. 11, 2003, <www.bookendzdocks.com/bookendz/index.htm>.
 “Atech Flash Technology Iduo Ipod Dock and Card Reader,” downloaded Nov. 21, 2005, <www.thegadgeteer.com>.
 “Adaptec xHub for Notebooks,” downloaded Nov. 22, 2005, <http://www.everythingusb.com/hardware/index/Adaptec_xHub_for_Notebooks.htm>.
 “Belkin’s Top Loading USB Hub for iPod Shuffle,” downloaded Nov. 22, 2005, <http://www.everythingusb.com/belkin_hispeed_usb_2.0_4-port_hub.html>.
 “Belkin Hi-Speed USB 2.07-Port Hub,” downloaded Nov. 22, 2005, <[http://www.everythingusb.com/hardware/index/Belkin_Hi-Speed_USB_2.0_7-Port_Hub . . .](http://www.everythingusb.com/hardware/index/Belkin_Hi-Speed_USB_2.0_7-Port_Hub...)>.

* cited by examiner

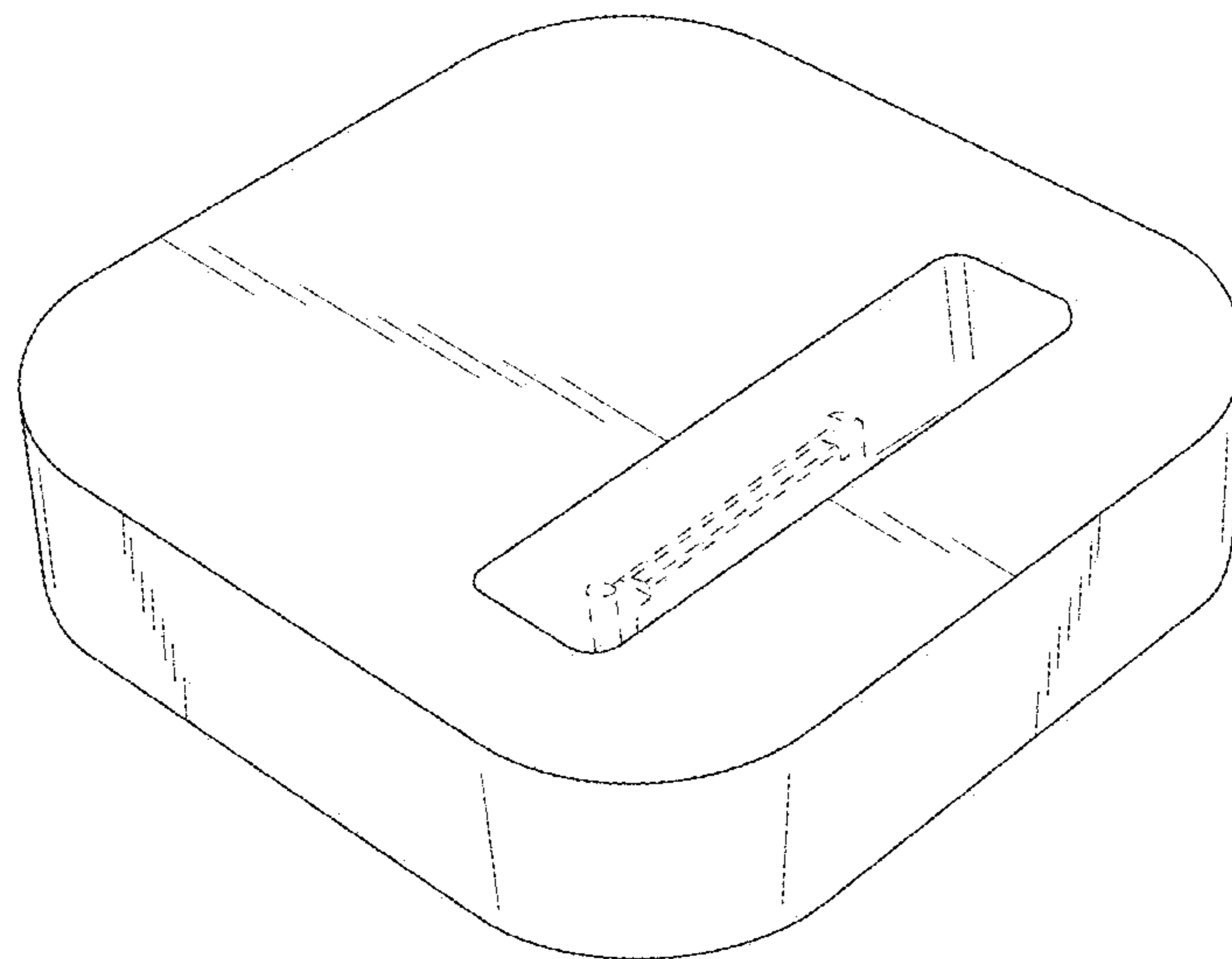


FIG. 1

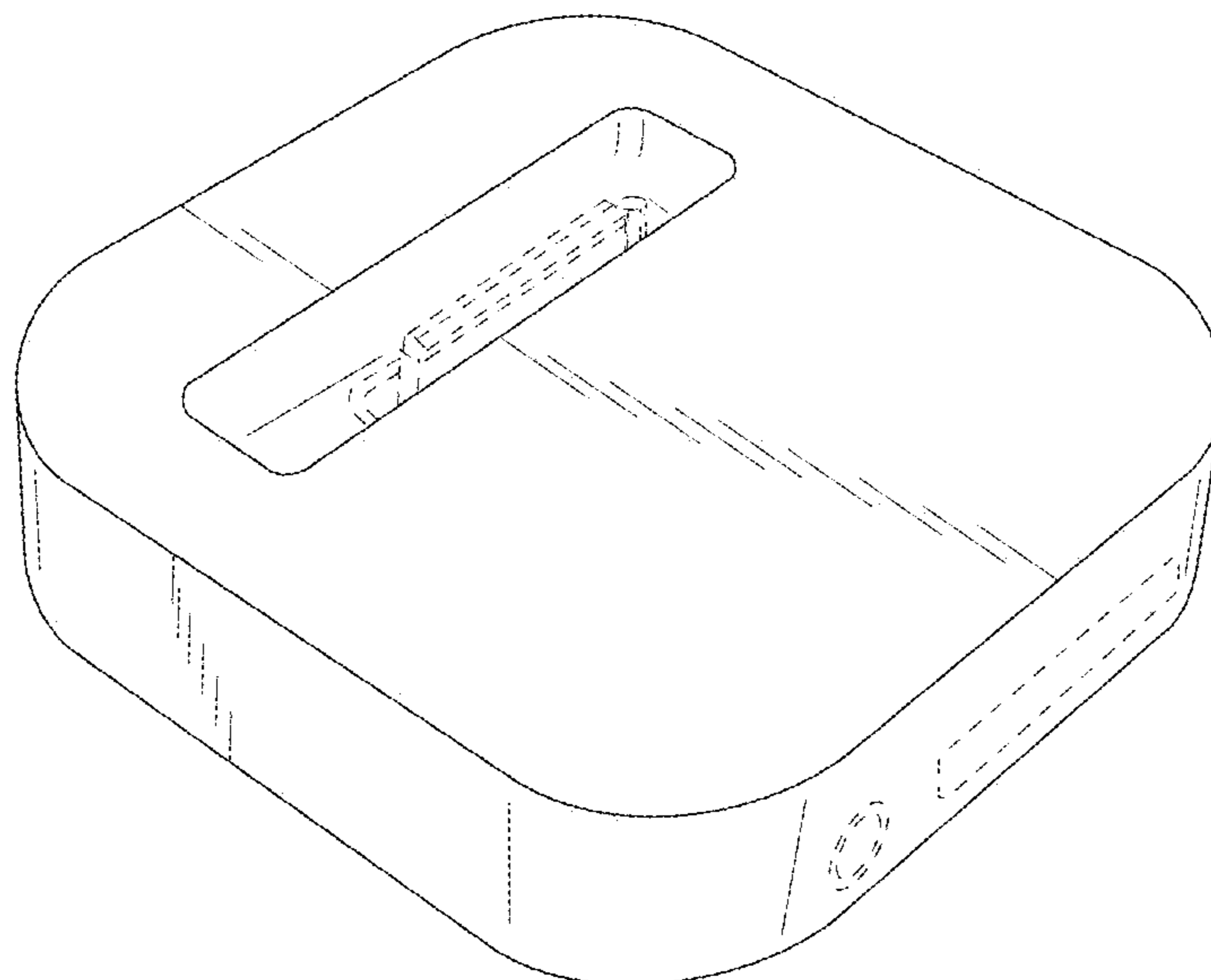


FIG. 2

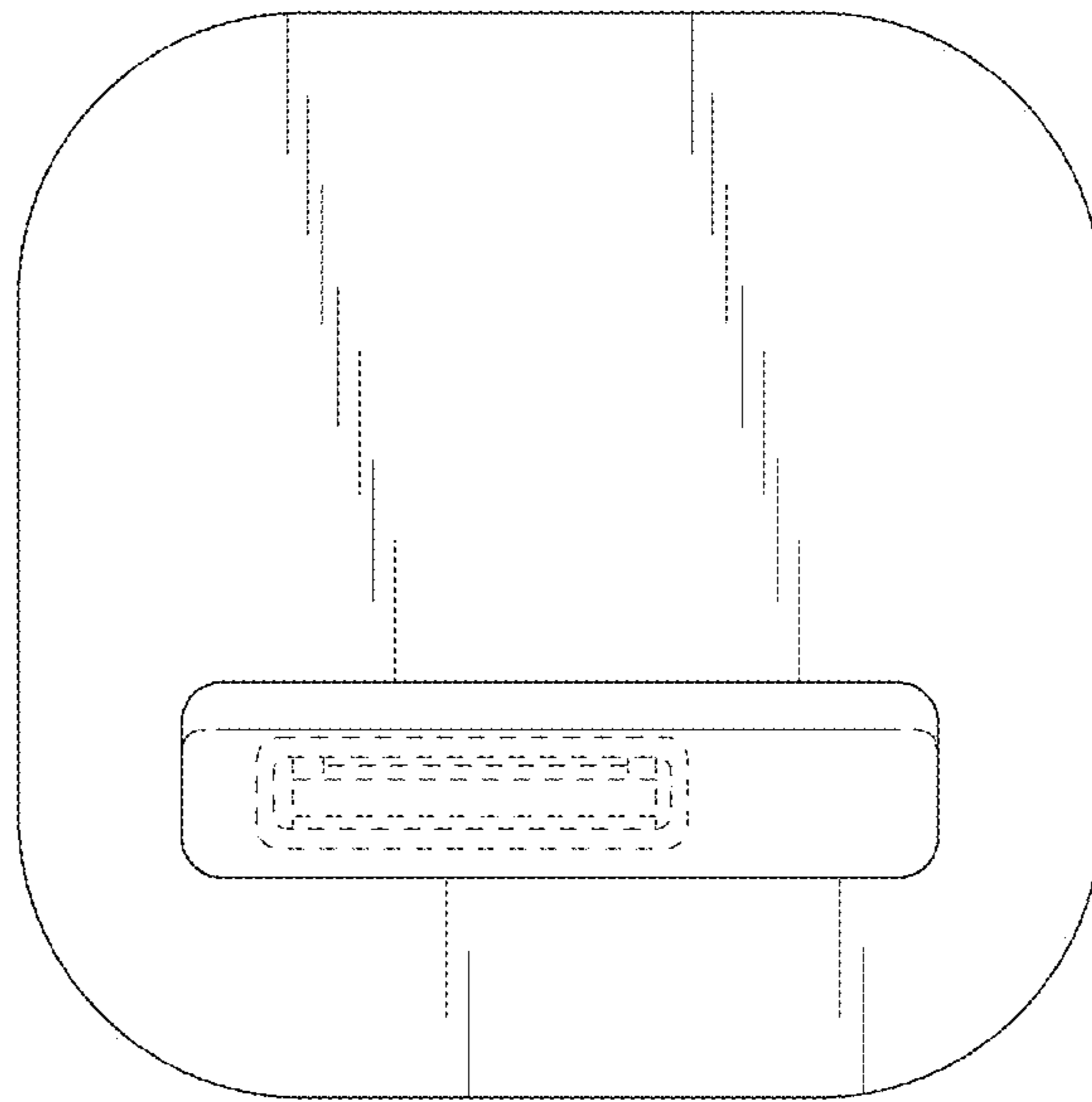


FIG. 3

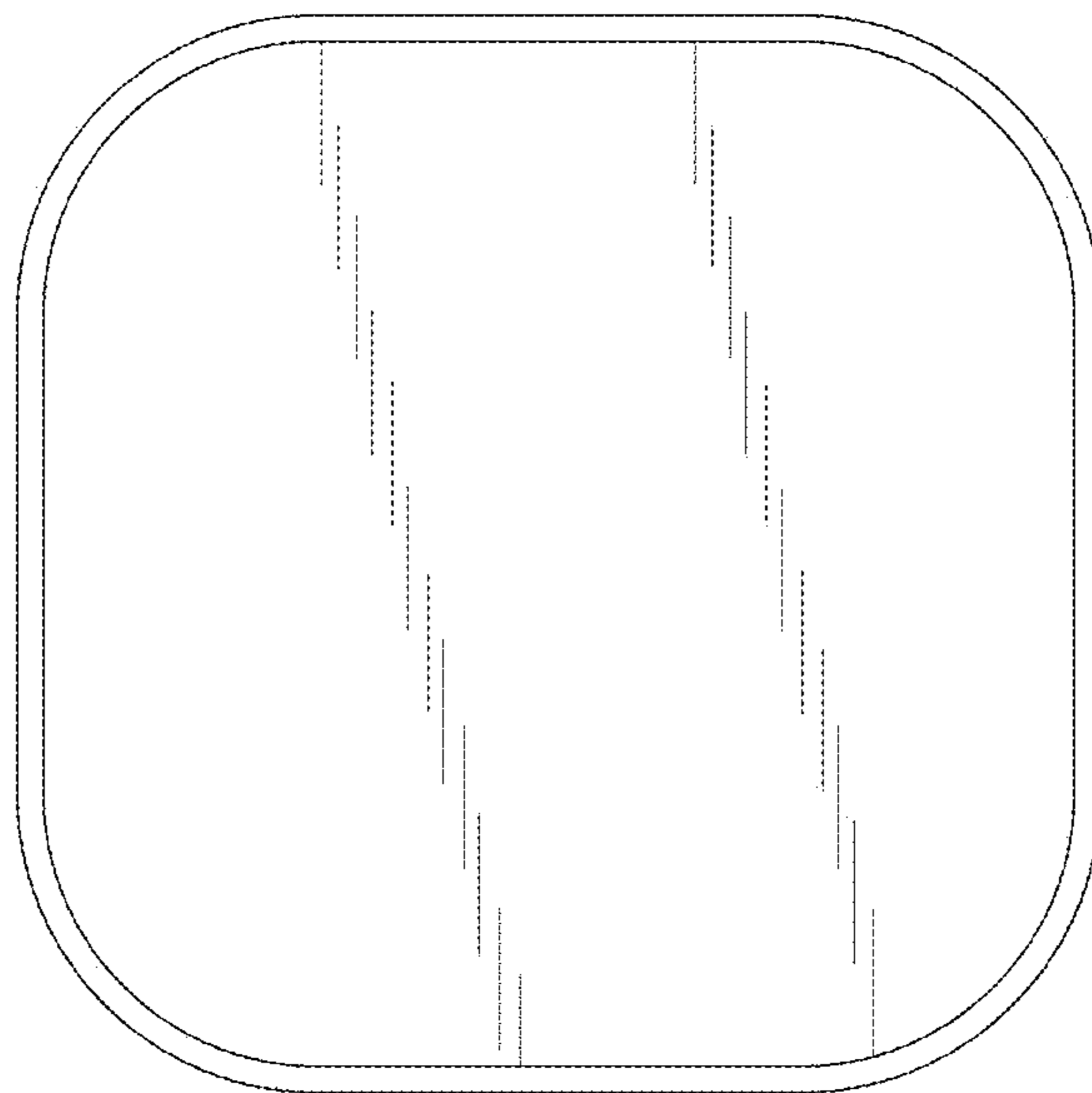


FIG. 4

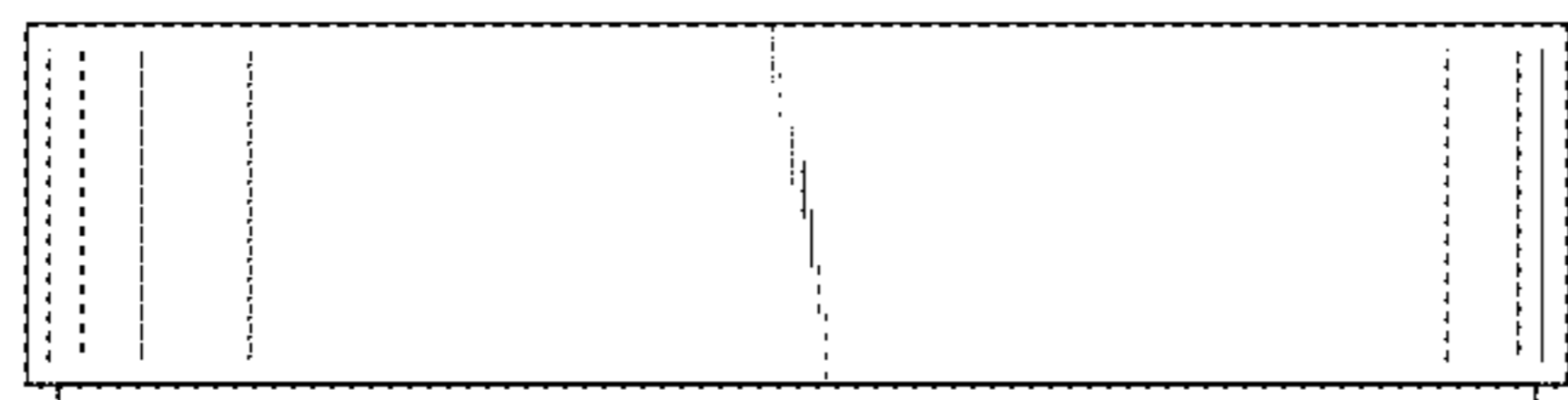


FIG. 5

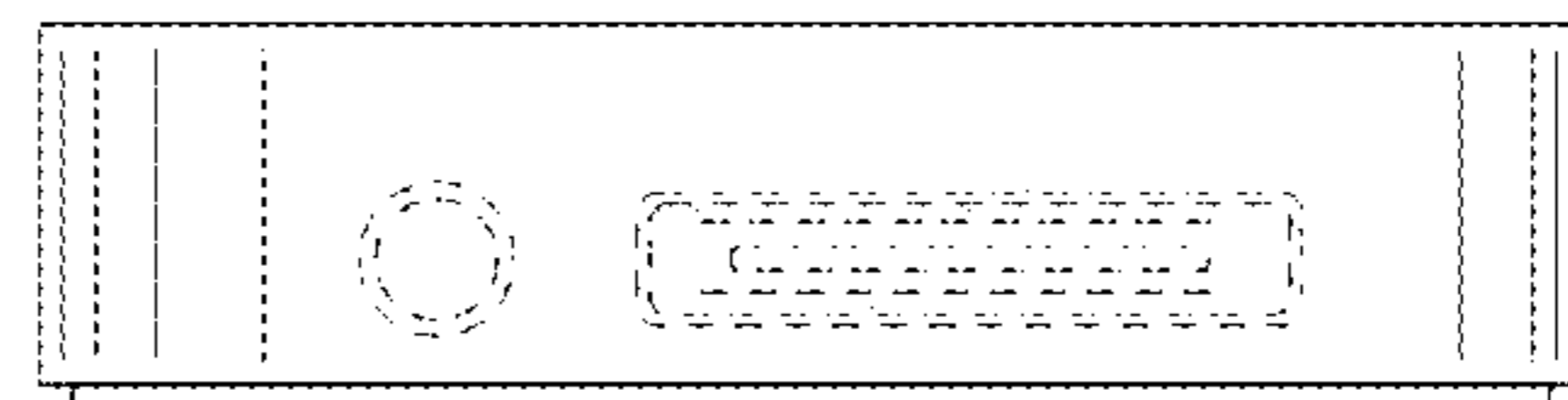


FIG. 6

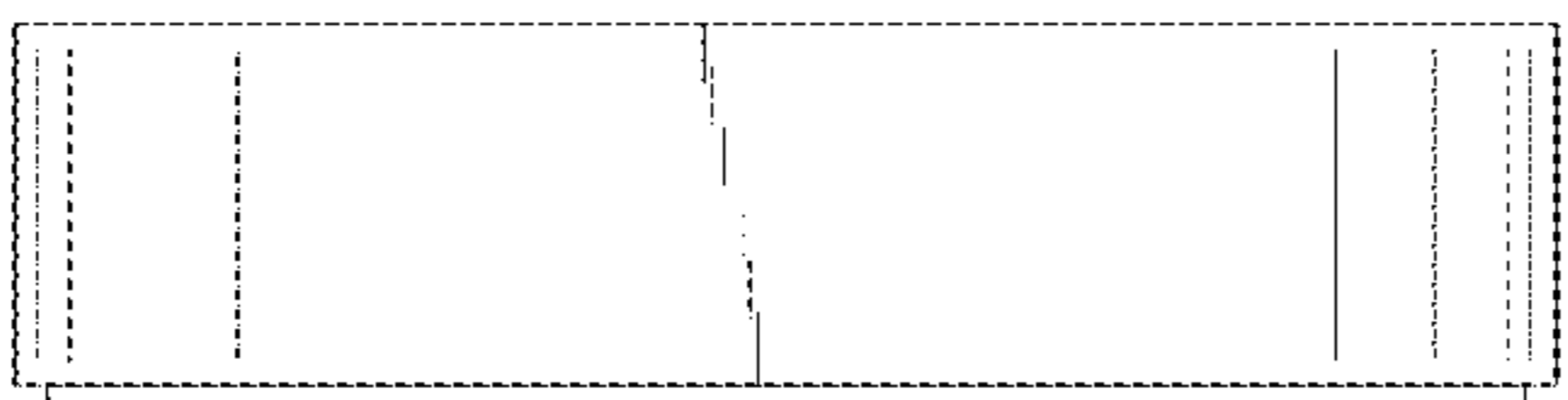


FIG. 7

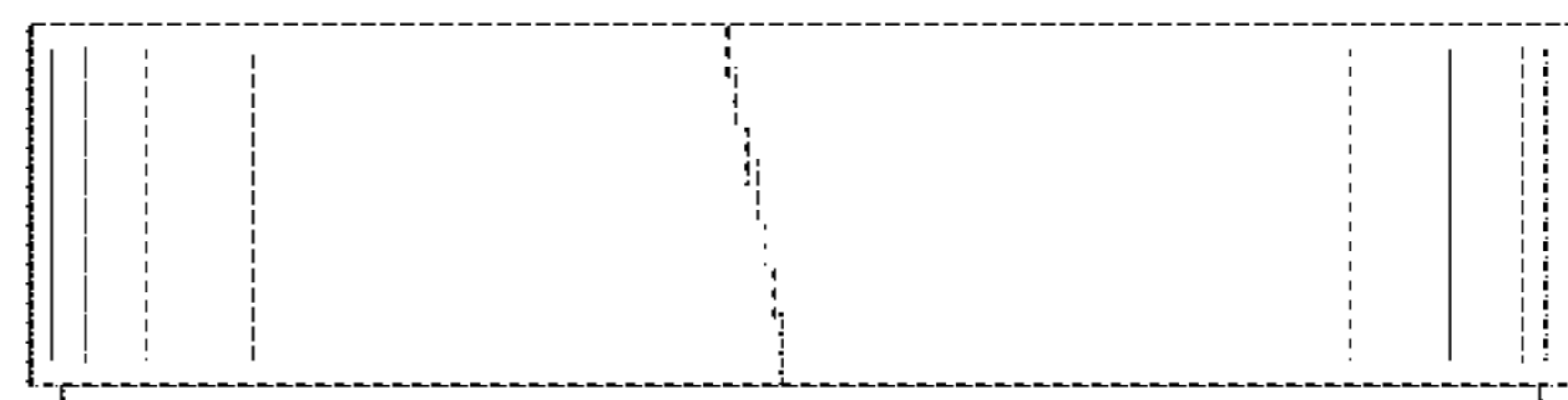


FIG. 8

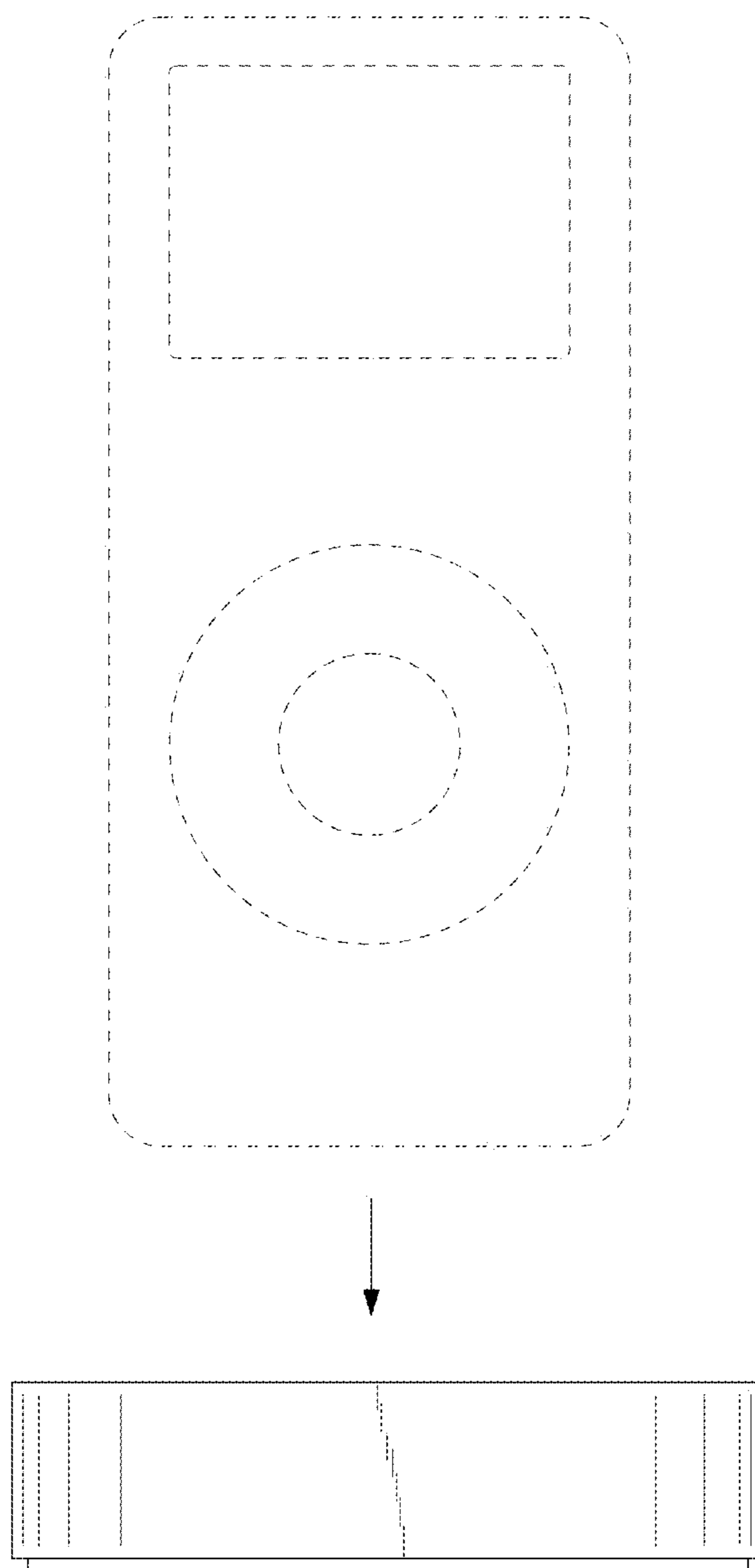


FIG. 9

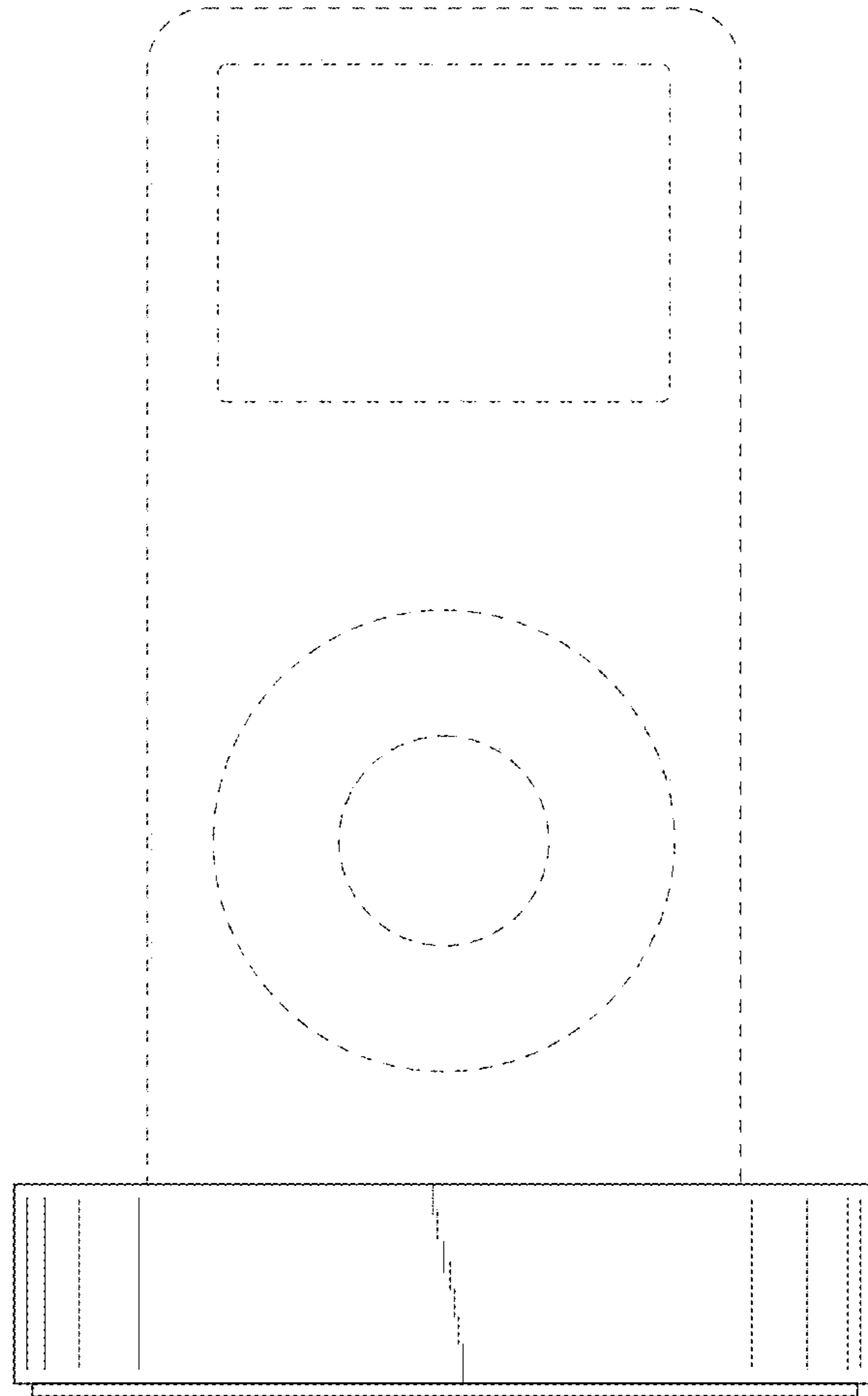


FIG. 10

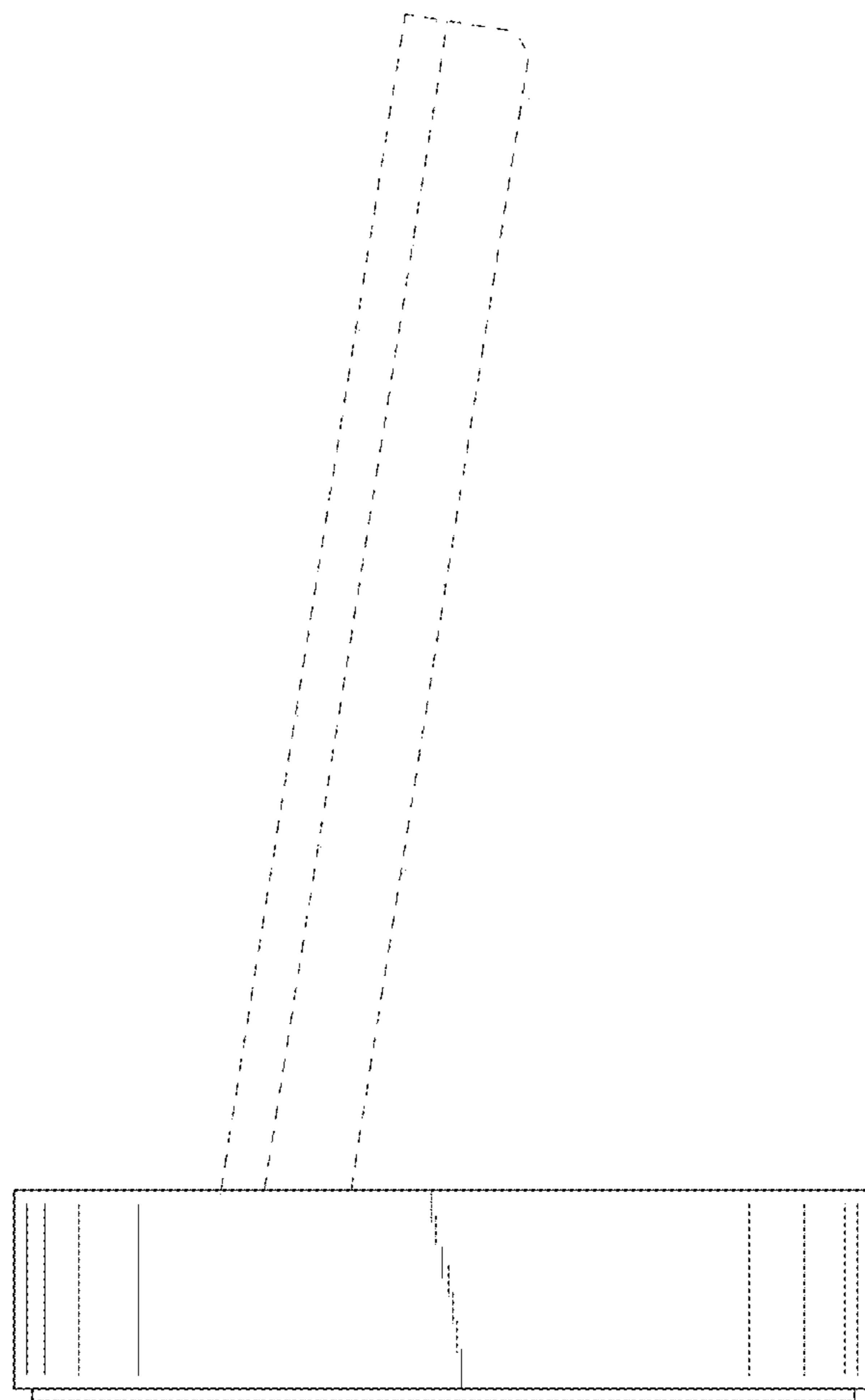


FIG. 11