



US00D726686S

(12) **United States Design Patent**
Yoon

(10) **Patent No.:** **US D726,686 S**
(45) **Date of Patent:** **** Apr. 14, 2015**

(54) **LOUDSPEAKER**

(71) Applicant: **Harman International Industries, Incorporated, Northridge, CA (US)**

(72) Inventor: **Hyungwoo Yoon, Shenzhen (CN)**

(73) Assignee: **Harman International Industries, Incorporated, Northridge, CA (US)**

(**) Term: **14 Years**

(21) Appl. No.: **29/461,544**

(22) Filed: **Jul. 24, 2013**

(51) **LOC (10) Cl.** **14-03**

(52) **U.S. Cl.**
USPC **D14/216**

(58) **Field of Classification Search**
USPC D14/167, 168, 170–172, 188, 194–196,
D14/204, 207, 209.1, 210–216, 219, 221,
D14/222, 224, 496; 181/143, 144, 147, 148,
181/150, 153, 157, 198, 199; 381/300–303,
381/306, 332, 333, 336, 345, 361–364,
381/386–388; 369/6–12
See application file for complete search history.

(56) **References Cited**

U.S. PATENT DOCUMENTS

D223,580 S * 5/1972 Richards D14/215
D258,444 S * 3/1981 Mineshima D16/218

D355,663 S * 2/1995 Van Cort D16/130
D378,095 S * 2/1997 Hasegawa D16/203
D505,941 S * 6/2005 Hirano D14/215
D555,636 S * 11/2007 Chen et al. D14/216
D571,359 S * 6/2008 Chang D14/216
D598,899 S * 8/2009 Tkachuk D14/216
D606,043 S * 12/2009 Lin D14/216
D611,450 S * 3/2010 Miyazaki D14/209.1
D644,206 S * 8/2011 Ponnert D14/216
D669,108 S * 10/2012 Maeyama D16/202

* cited by examiner

Primary Examiner — Keli L Hill

(74) *Attorney, Agent, or Firm* — Plumsea Law Group, LLC

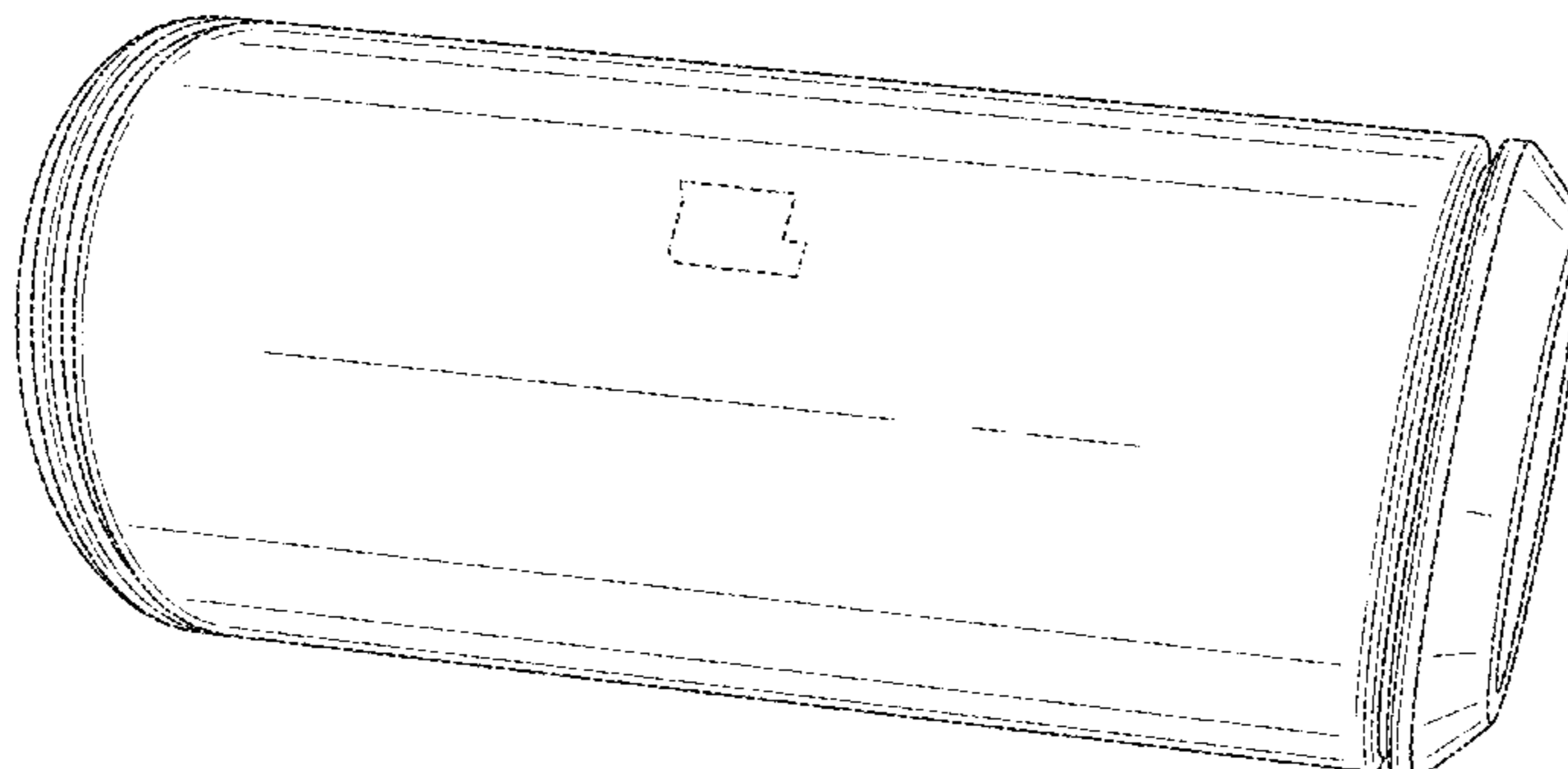
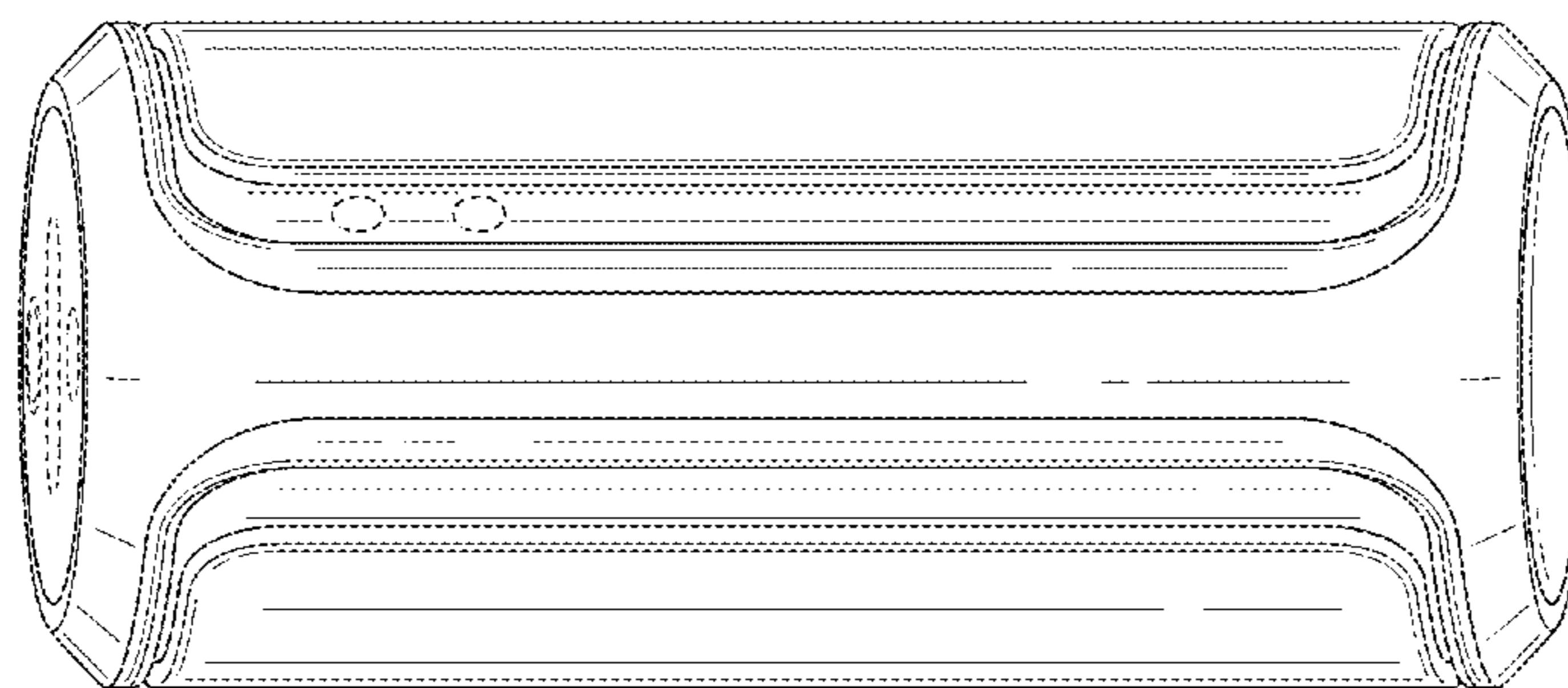
(57) **CLAIM**

The ornamental design for a loudspeaker, as shown and described.

DESCRIPTION

FIG. 1 is a front elevational view of a loudspeaker showing my new design;
FIG. 2 is a top plan view thereof;
FIG. 3 is a bottom plan view thereof;
FIG. 4 is a rear elevational view thereof;
FIG. 5 is an end elevational view thereof viewed from the left side of FIG. 1;
FIG. 6 is an end elevational view thereof viewed from the right side of FIG. 1; and,
FIG. 7 is a perspective view thereof shown rotated into an operating position from the positions depicted in FIGS. 1-6.

1 Claim, 7 Drawing Sheets



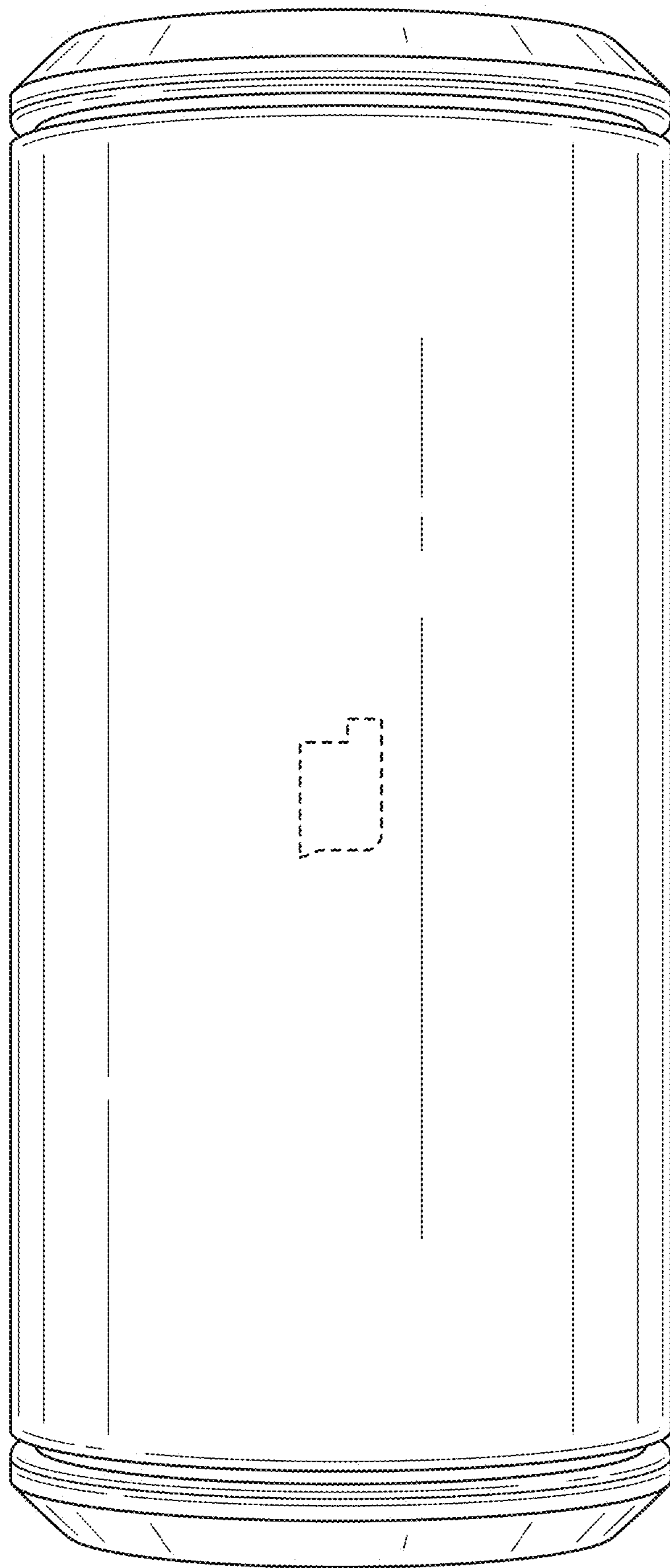


FIG. 1

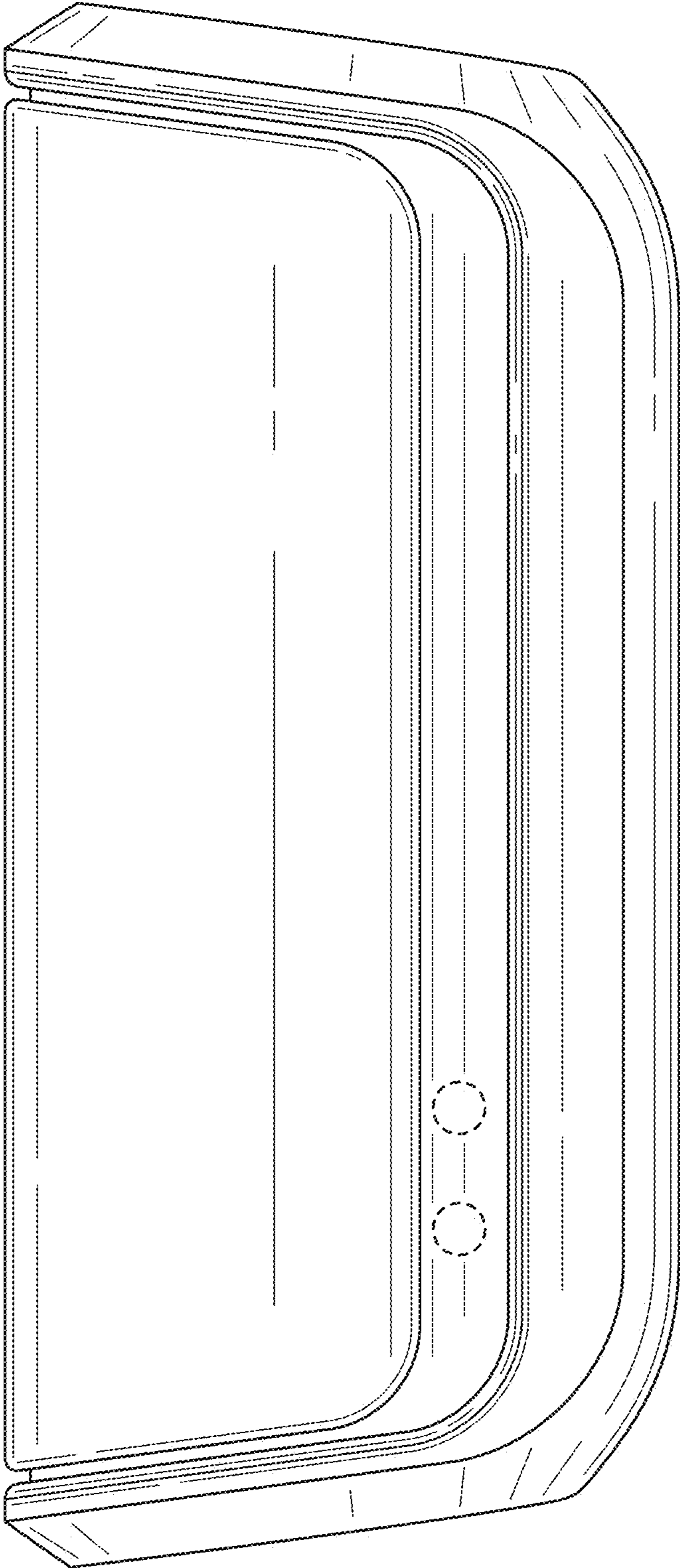


FIG. 2

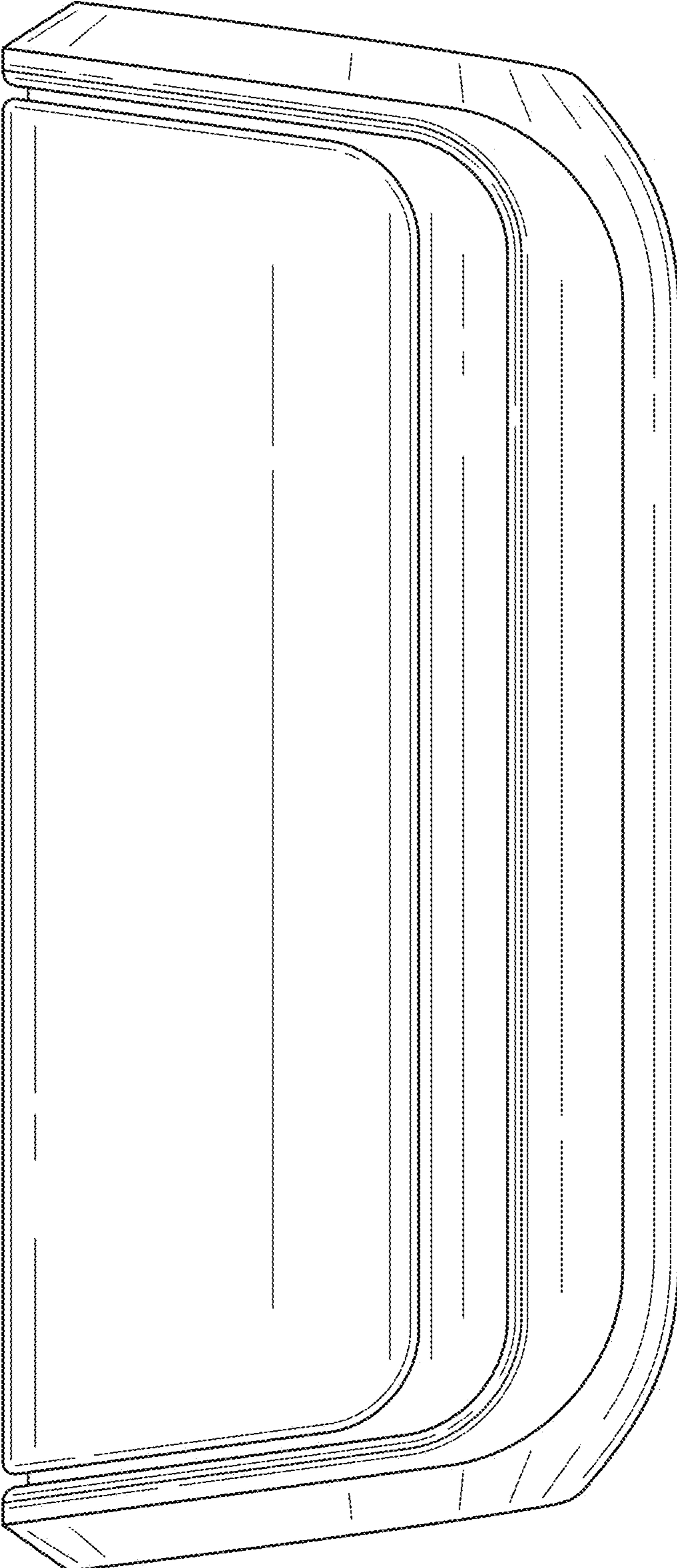


FIG. 3

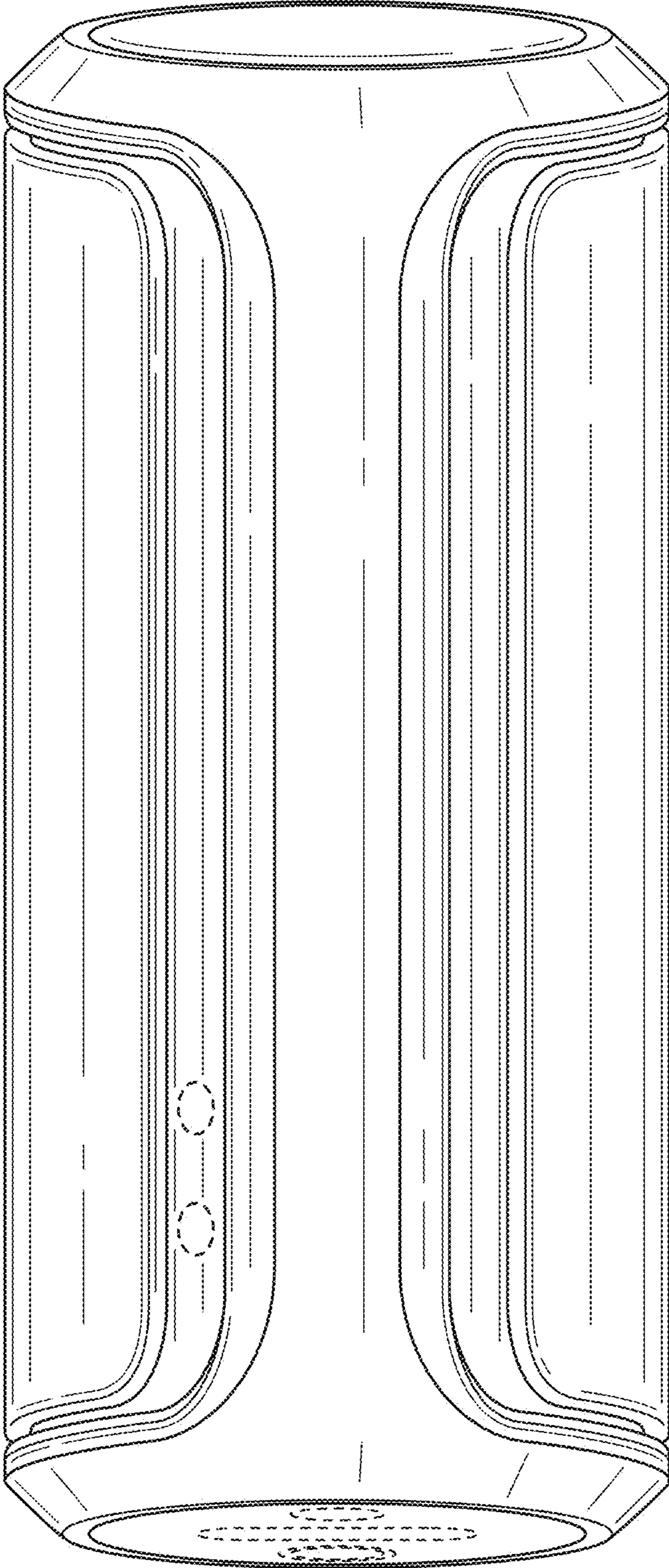


FIG. 4

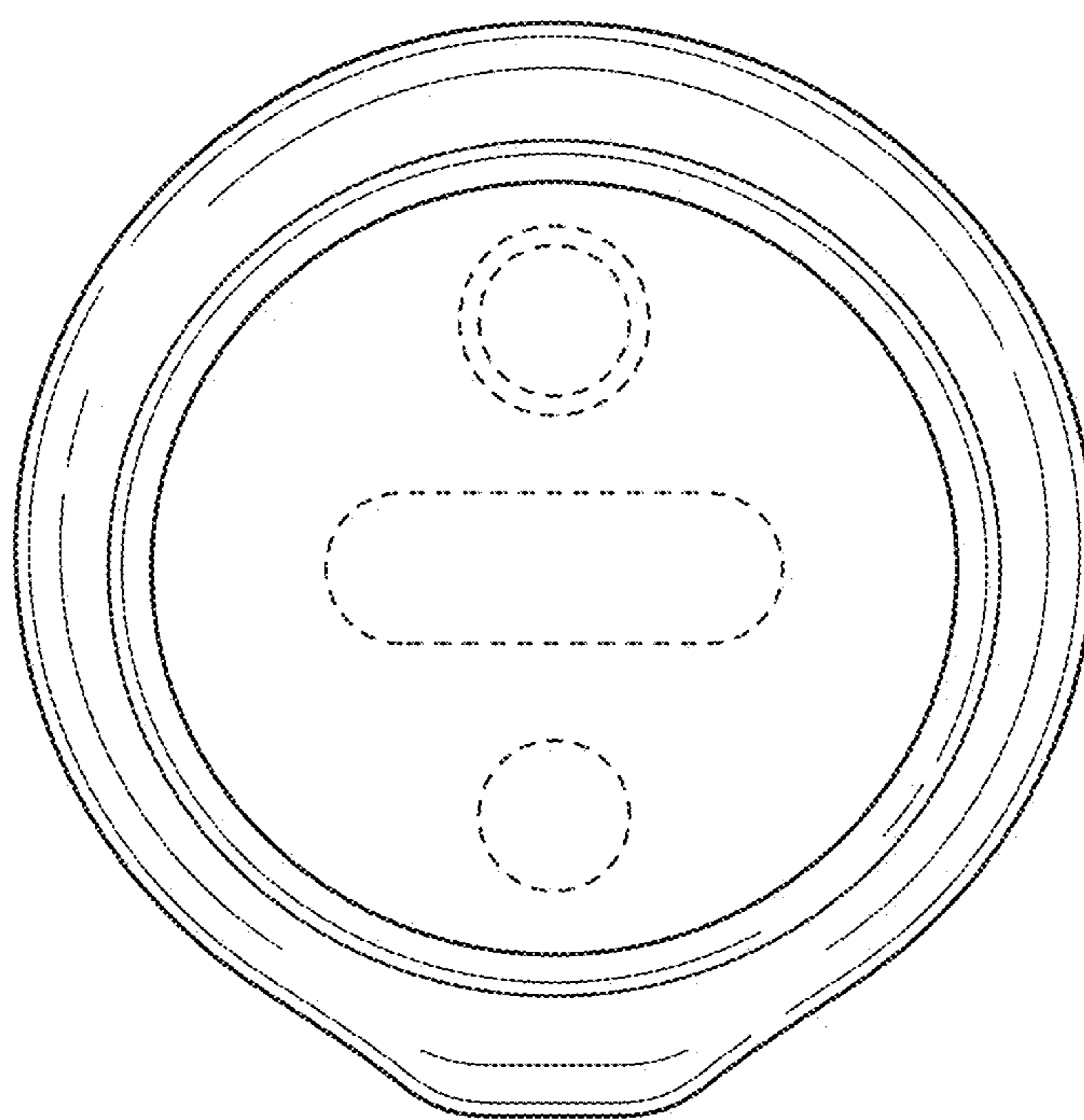


FIG. 5

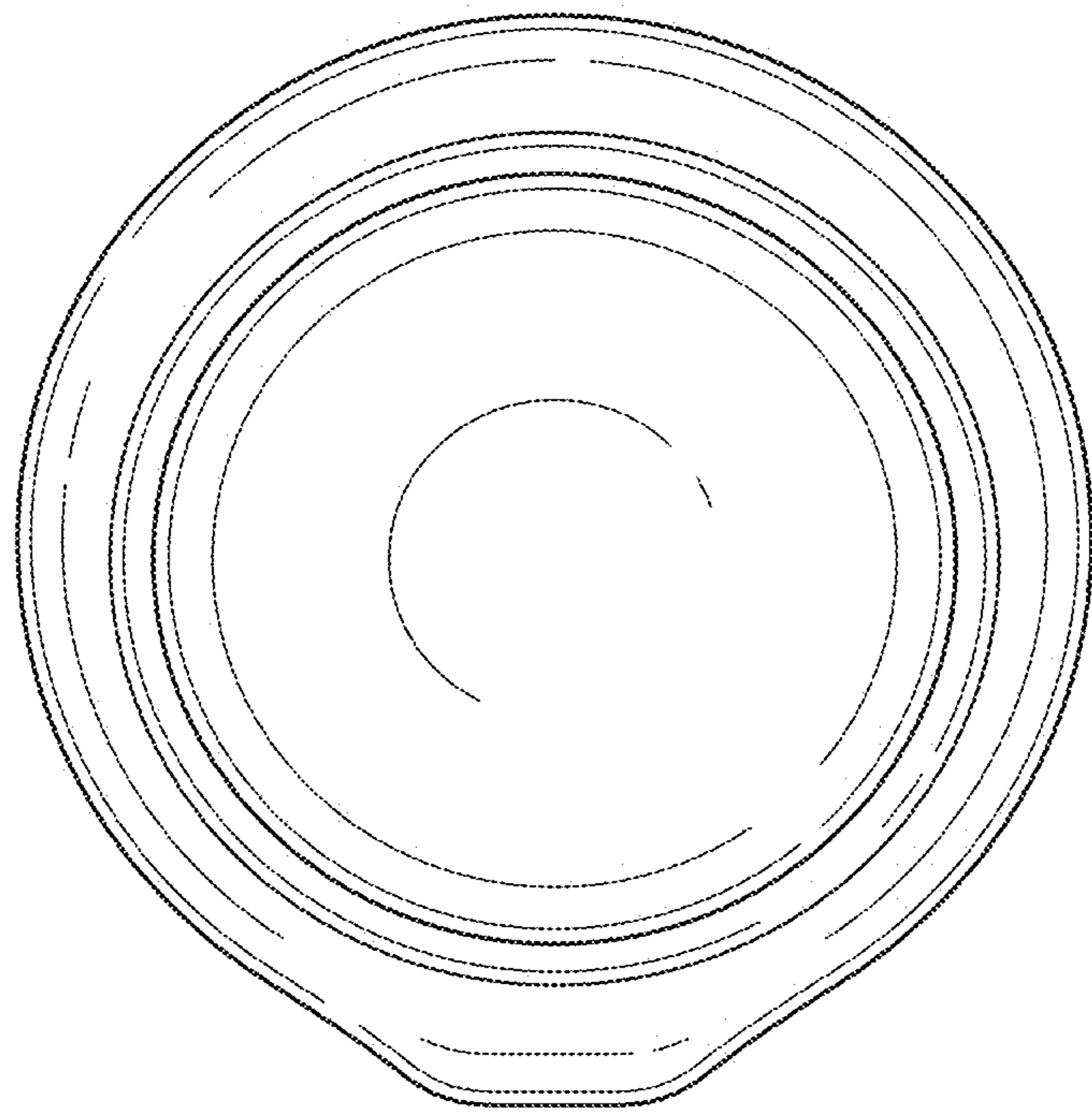


FIG. 6

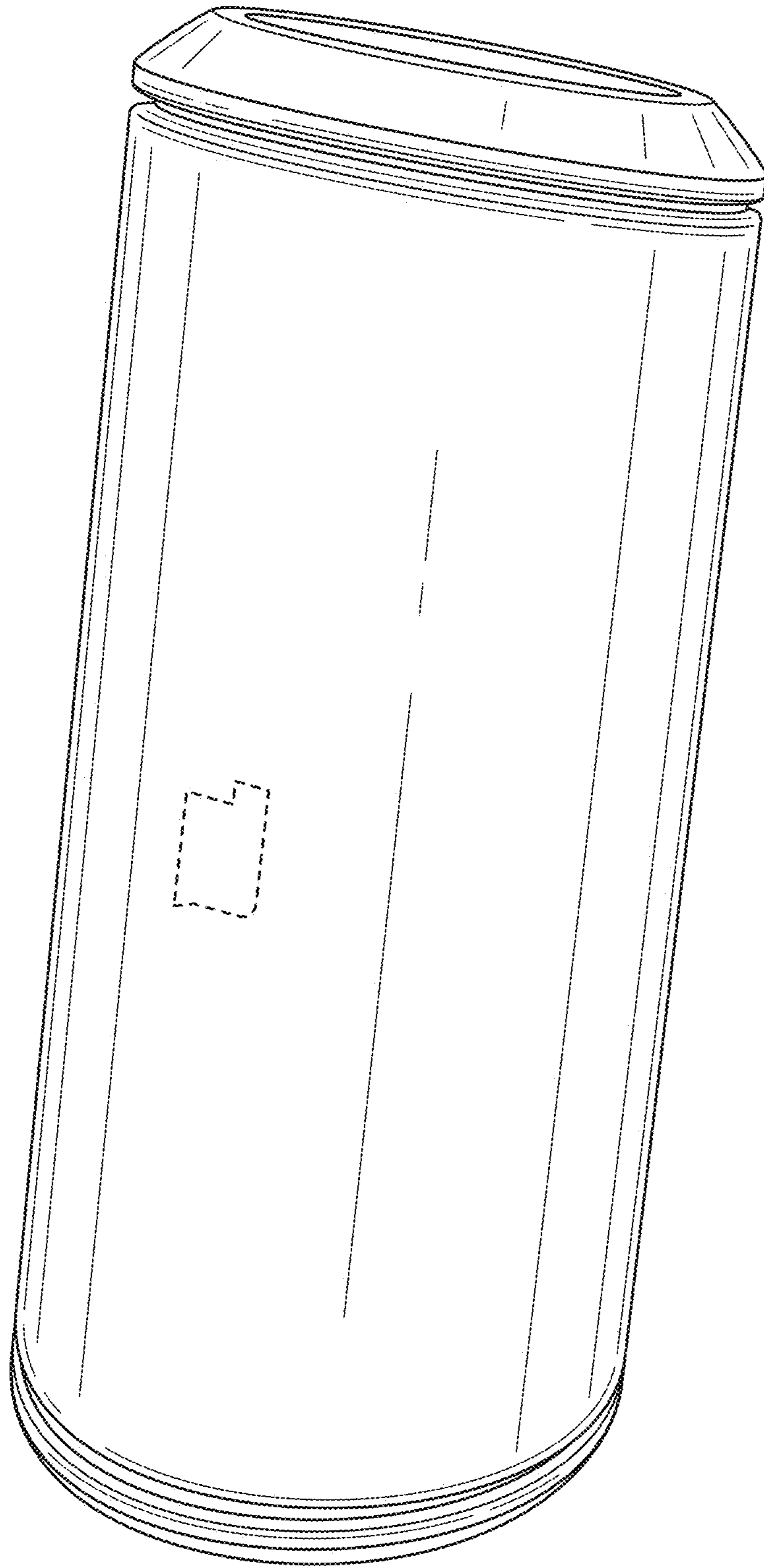


FIG. 7