



US00D726685S

(12) **United States Design Patent**  
**Cheng**

(10) **Patent No.:** **US D726,685 S**  
(45) **Date of Patent:** **\*\* Apr. 14, 2015**

(54) **PORTABLE SOUND SPEAKER**

(71) Applicants: **Lite-On Electronics (Guangzhou) Limited**, Guangzhou (CN); **Lite-On Technology Corporation**, Taipei (TW)

(72) Inventor: **Chi-Hsiang Cheng**, New Taipei (TW)

(73) Assignees: **Lite-On Electronics (Guangzhou) Limited**, Guangzhou (CN); **Lite-On Technology Corporation**, Taipei (TW)

(\*\*) Term: **14 Years**

(21) Appl. No.: **29/482,879**

(22) Filed: **Feb. 22, 2014**

(30) **Foreign Application Priority Data**

Jan. 6, 2014 (TW) ..... 103300083

(51) **LOC (10) Cl.** ..... **14-03**

(52) **U.S. Cl.**  
USPC ..... **D14/212; D14/214**

(58) **Field of Classification Search**  
USPC ..... D14/167, 168, 170-172, 188, 192, D14/194-196, 204, 207, 209.1, 210-216, D14/219, 221, 222, 224, 496; 181/143, 144, 181/147, 148, 150, 153, 157, 198, 199; 381/300-303, 306, 332, 333, 336, 345, 381/361-364, 386, 388; 369/6-12  
See application file for complete search history.

(56) **References Cited**

**U.S. PATENT DOCUMENTS**

D501,841 S \* 2/2005 Hsu ..... D14/171  
D551,208 S \* 9/2007 Yano ..... D14/214

D559,832 S \* 1/2008 Poandl ..... D14/212  
D594,845 S \* 6/2009 Skurdal ..... D14/168  
D619,116 S \* 7/2010 Skurdal ..... D14/168  
D645,844 S \* 9/2011 McManigal ..... D14/214  
D672,333 S \* 12/2012 Lin et al. .... D14/212  
D672,334 S \* 12/2012 Tzeng ..... D14/212  
D686,192 S \* 7/2013 Widner et al. .... D14/212  
2005/0255895 A1 \* 11/2005 Lee et al. .... 455/573

\* cited by examiner

*Primary Examiner* — Keli L Hill

(74) *Attorney, Agent, or Firm* — Li & Cai Intellectual Property (USA) Office

(57) **CLAIM**

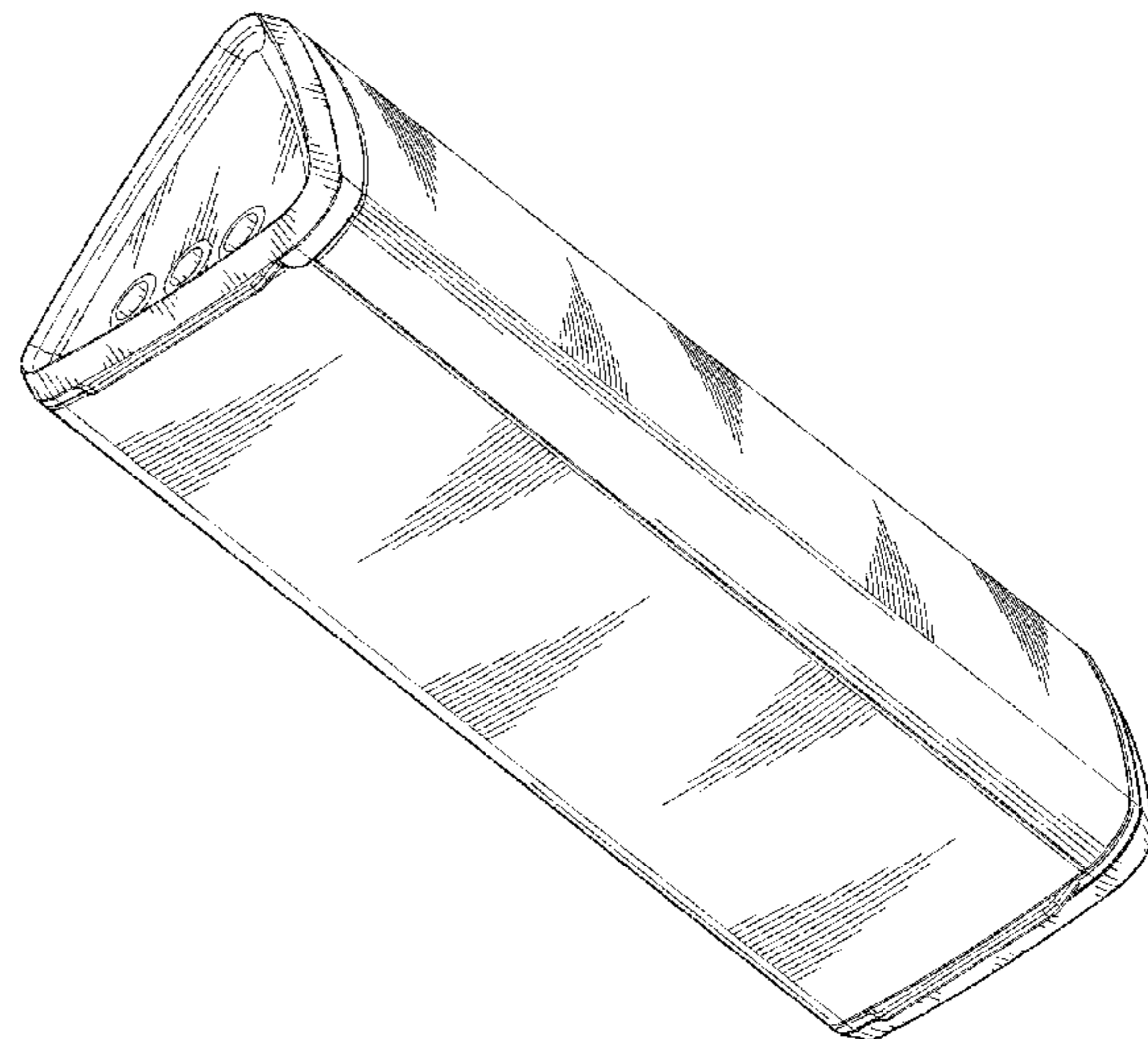
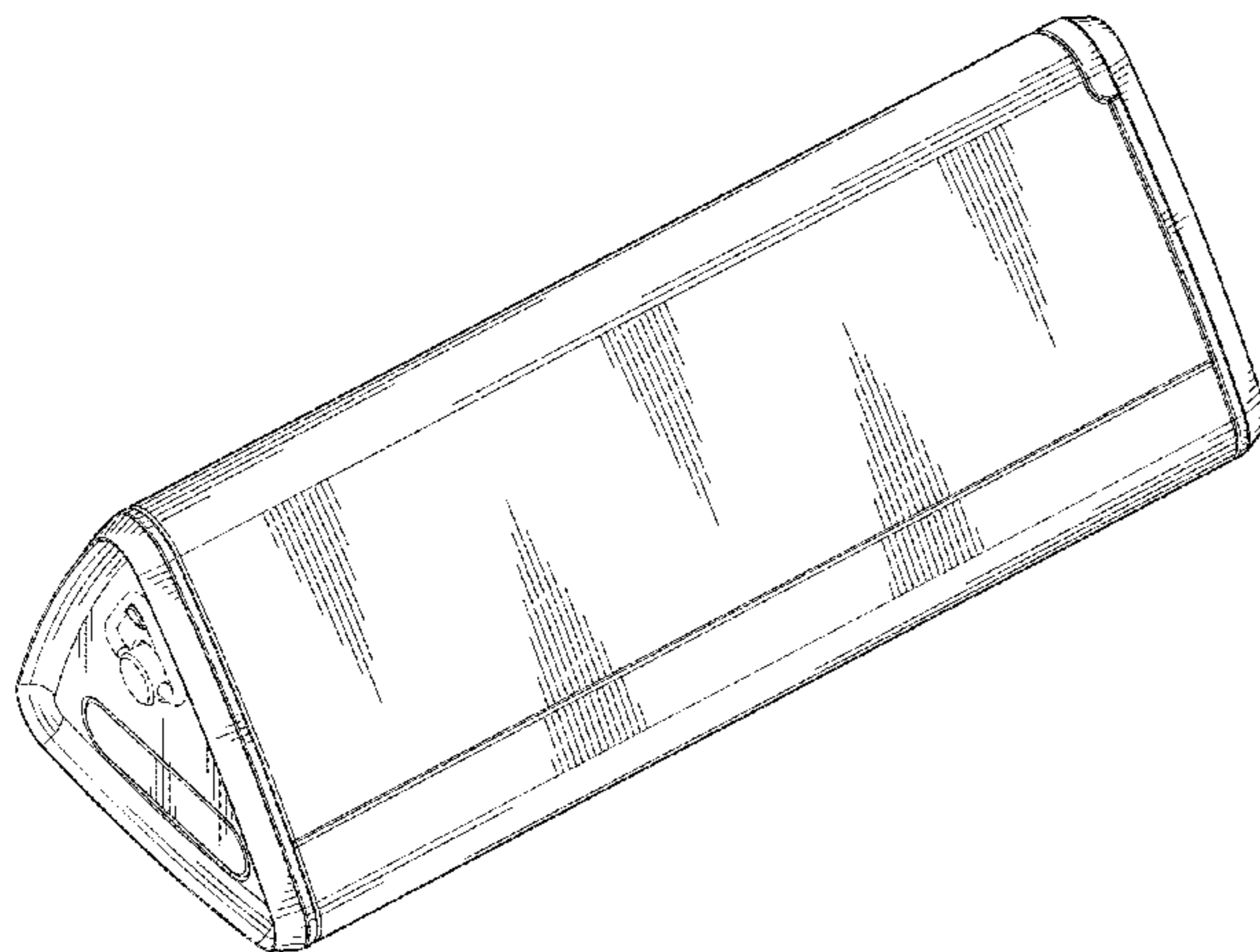
The ornamental design for a “portable sound speaker,” as shown and described.

**DESCRIPTION**

FIG. 1 is a perspective view of a “portable sound speaker” showing my new design;  
FIG. 2 is a front view thereof;  
FIG. 3 is a rear view thereof;  
FIG. 4 is a left side view thereof;  
FIG. 5 is a right side view thereof;  
FIG. 6 is a top view thereof;  
FIG. 7 is a bottom view thereof; and,  
FIG. 8 is a perspective view viewed from another visual angle.

The broken lines depict portions of the portable sound speaker which form no part of the claimed design.

**1 Claim, 7 Drawing Sheets**



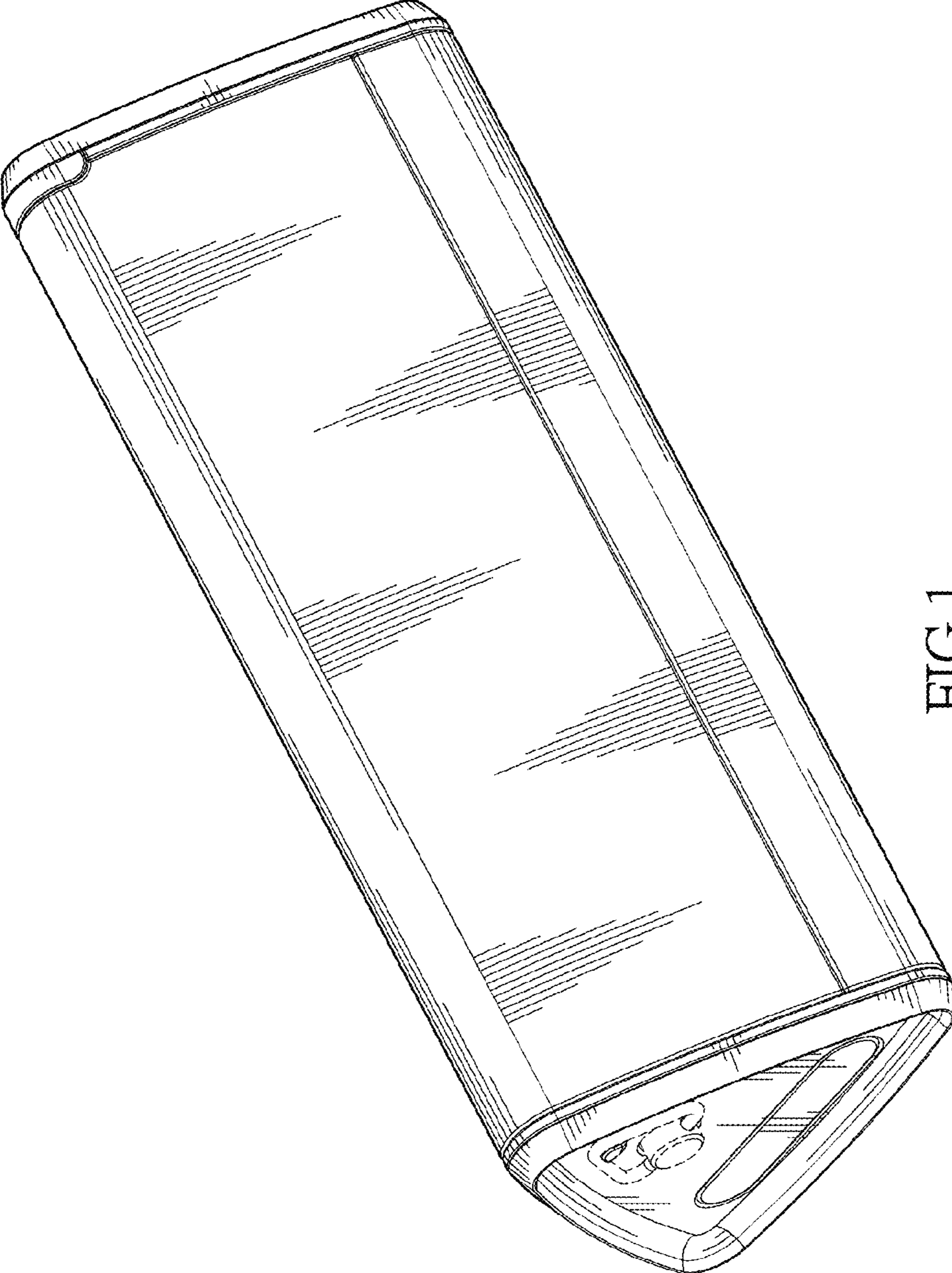


FIG.1

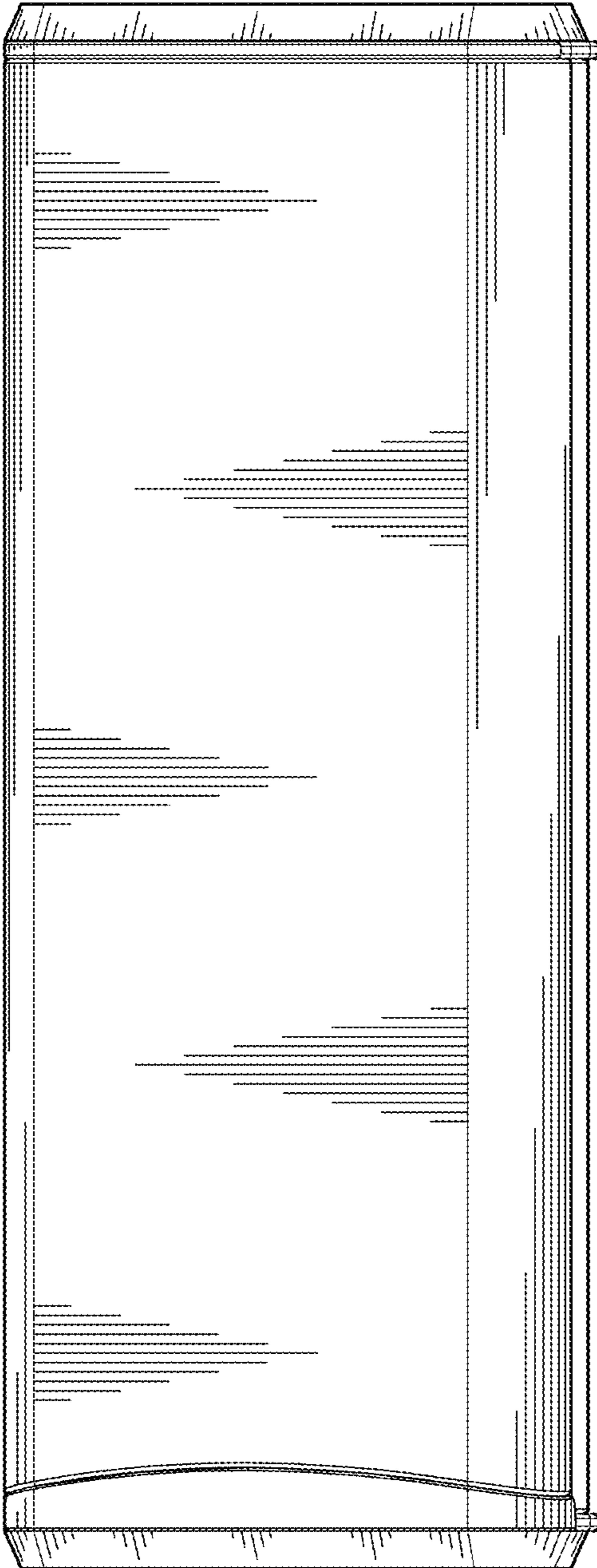


FIG.2

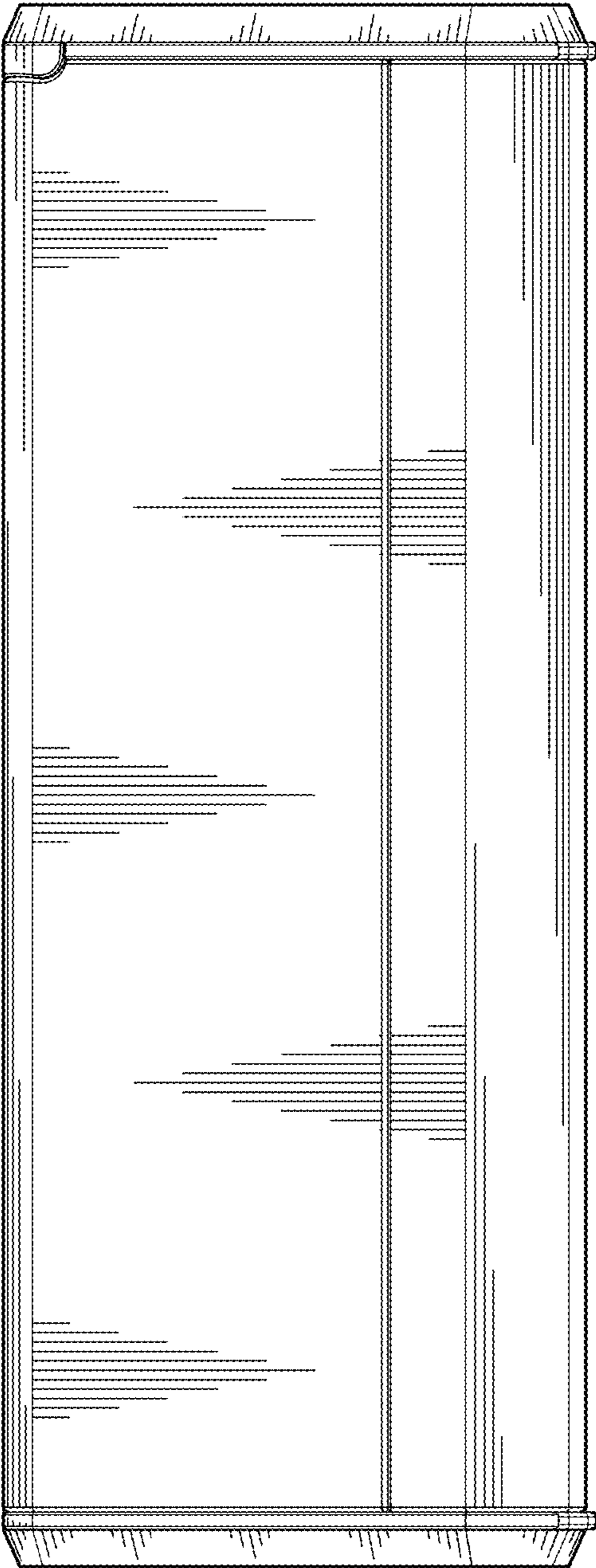


FIG.3

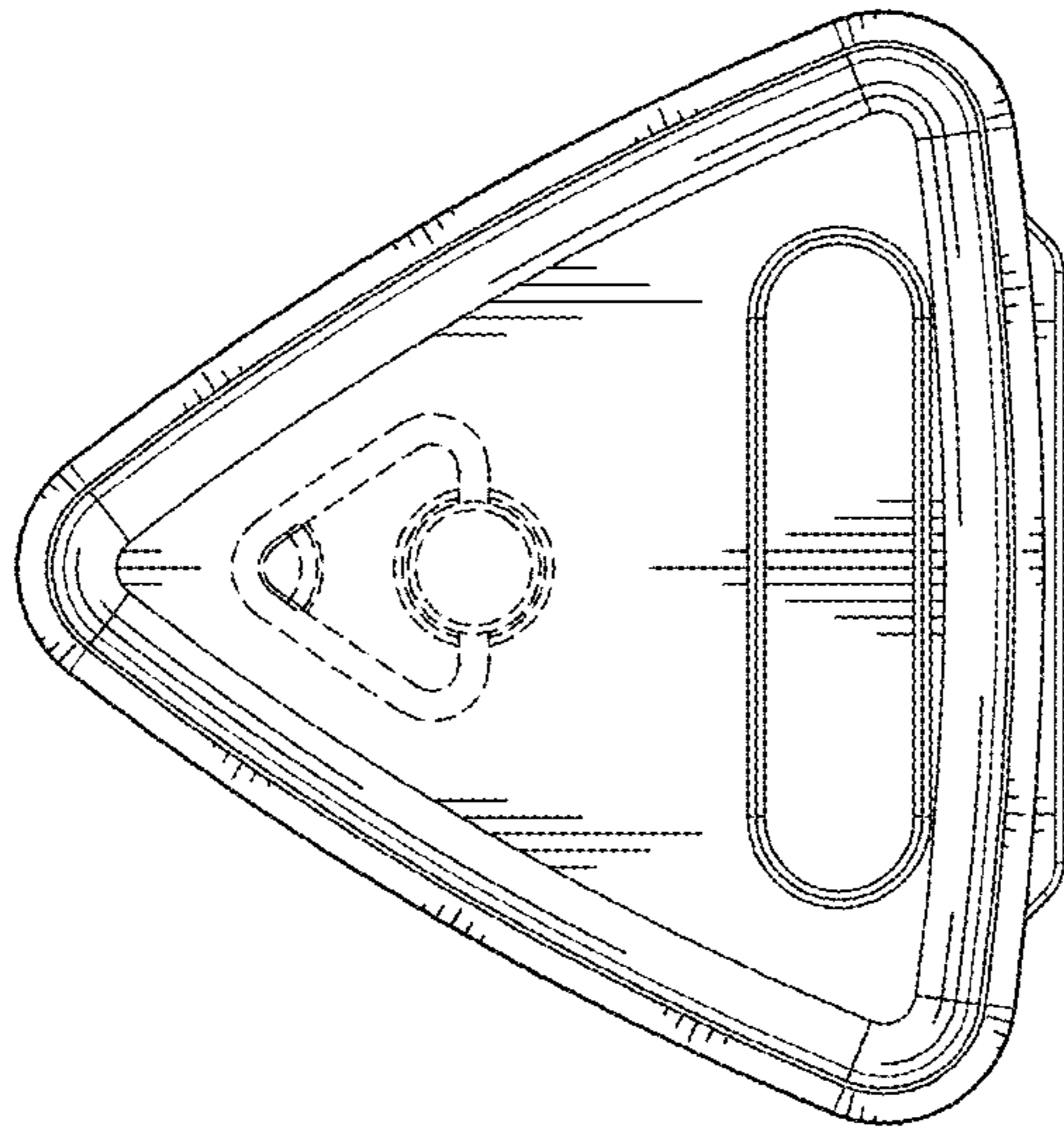


FIG. 5

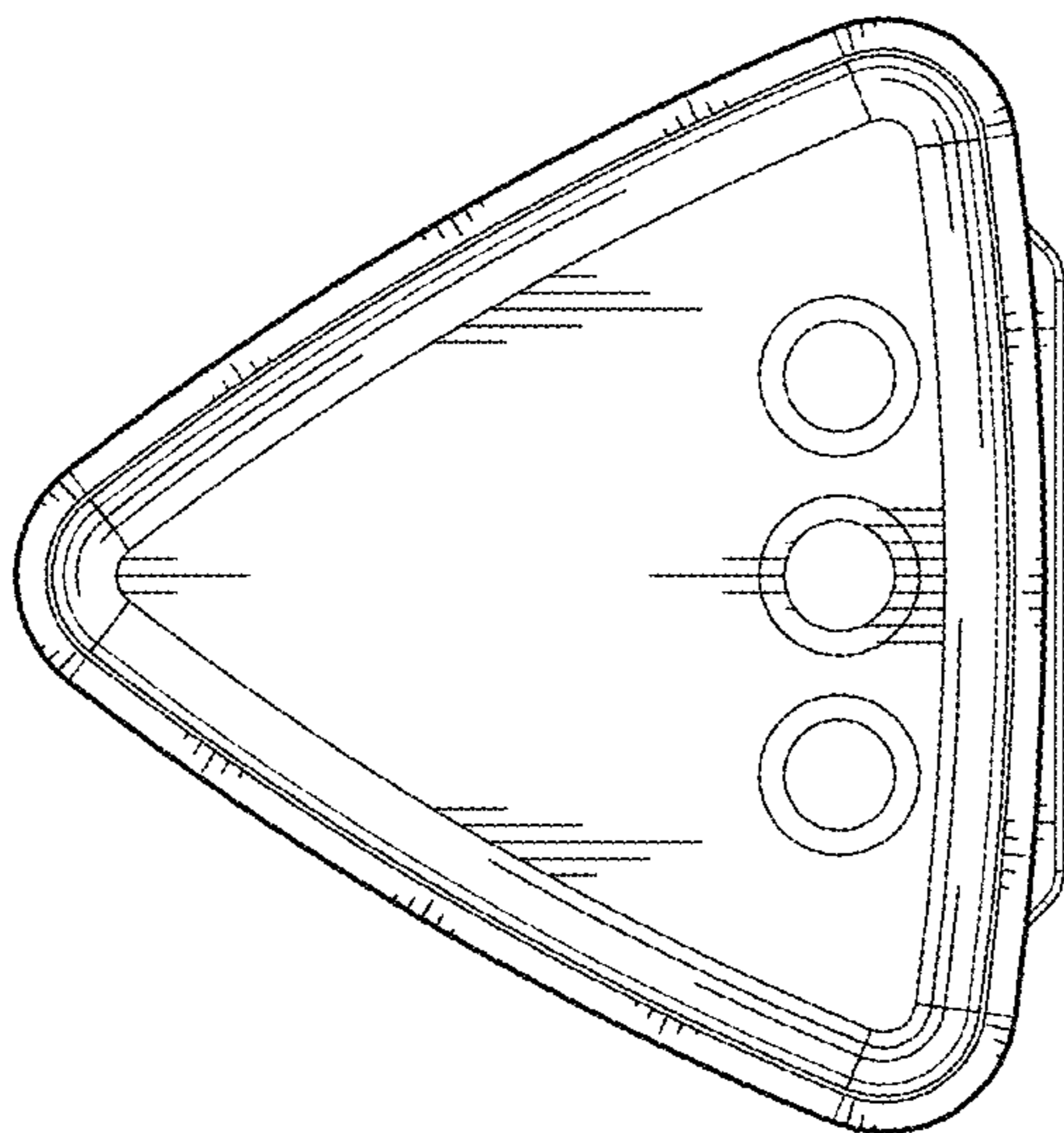


FIG. 4

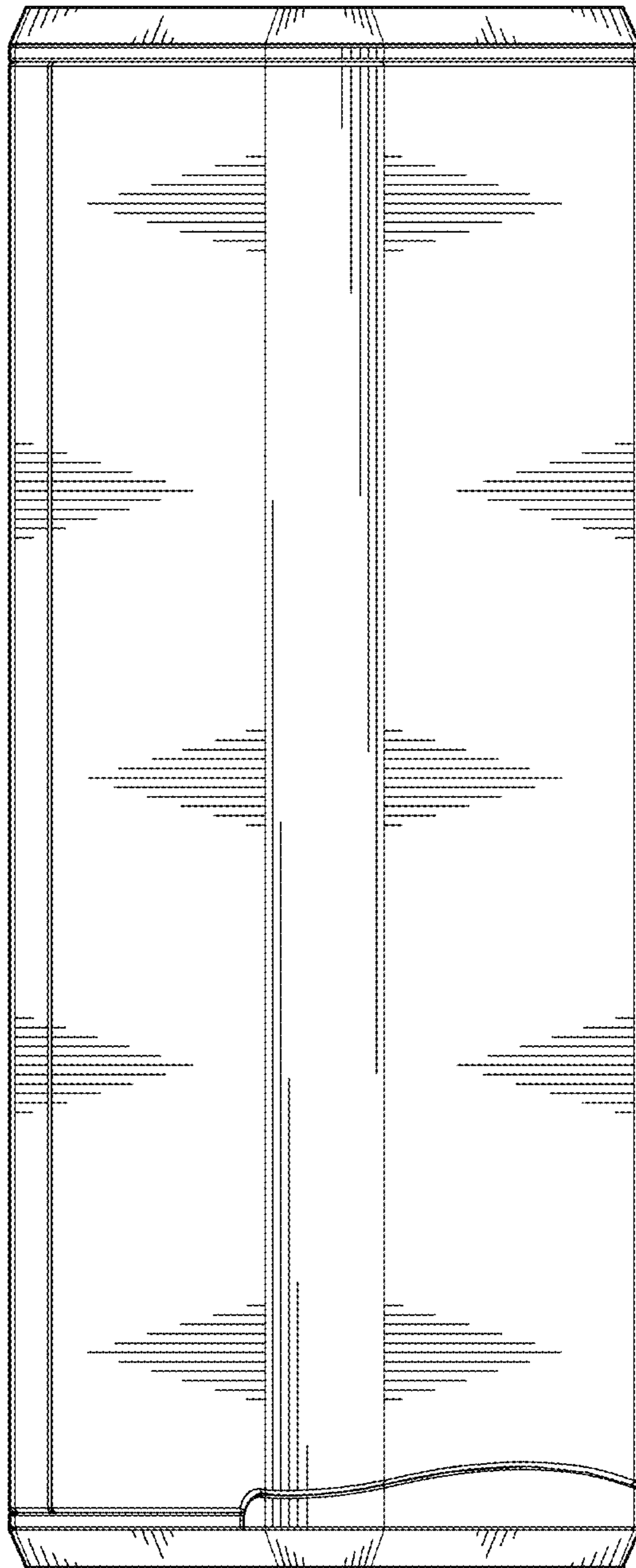


FIG.6

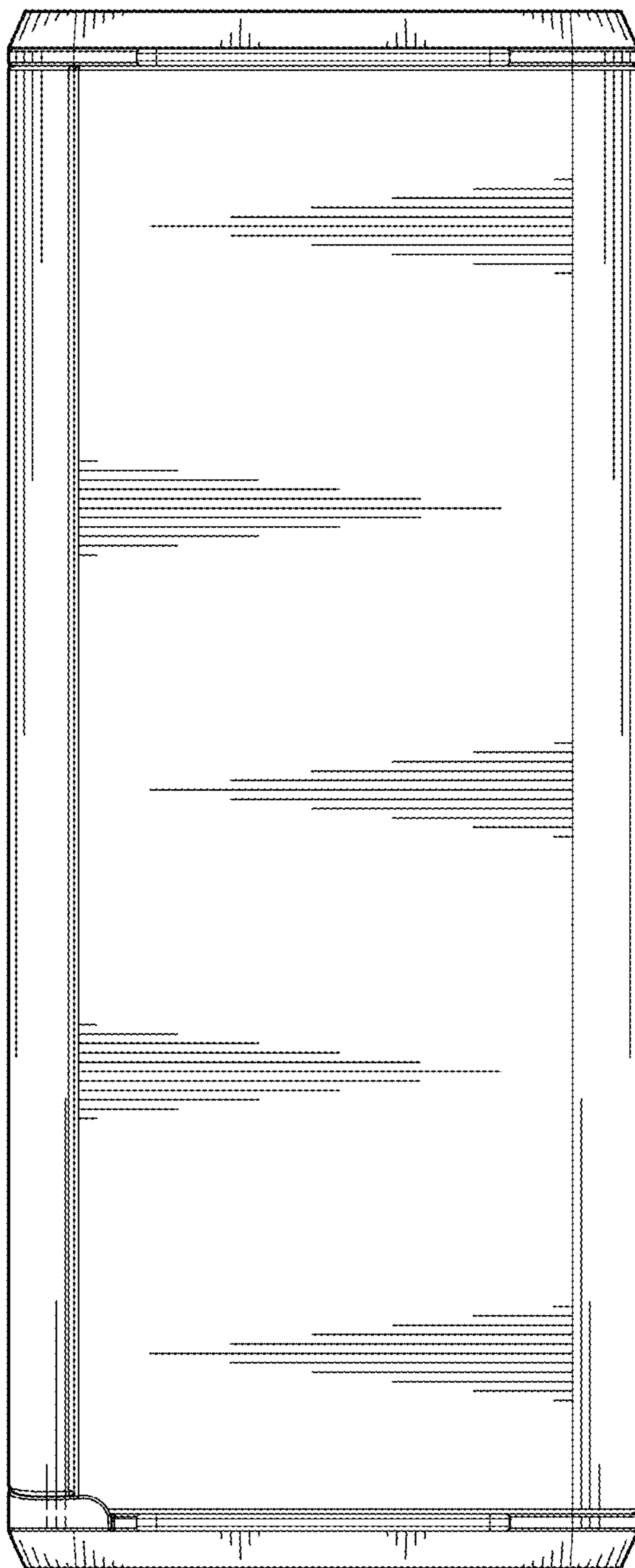


FIG. 7

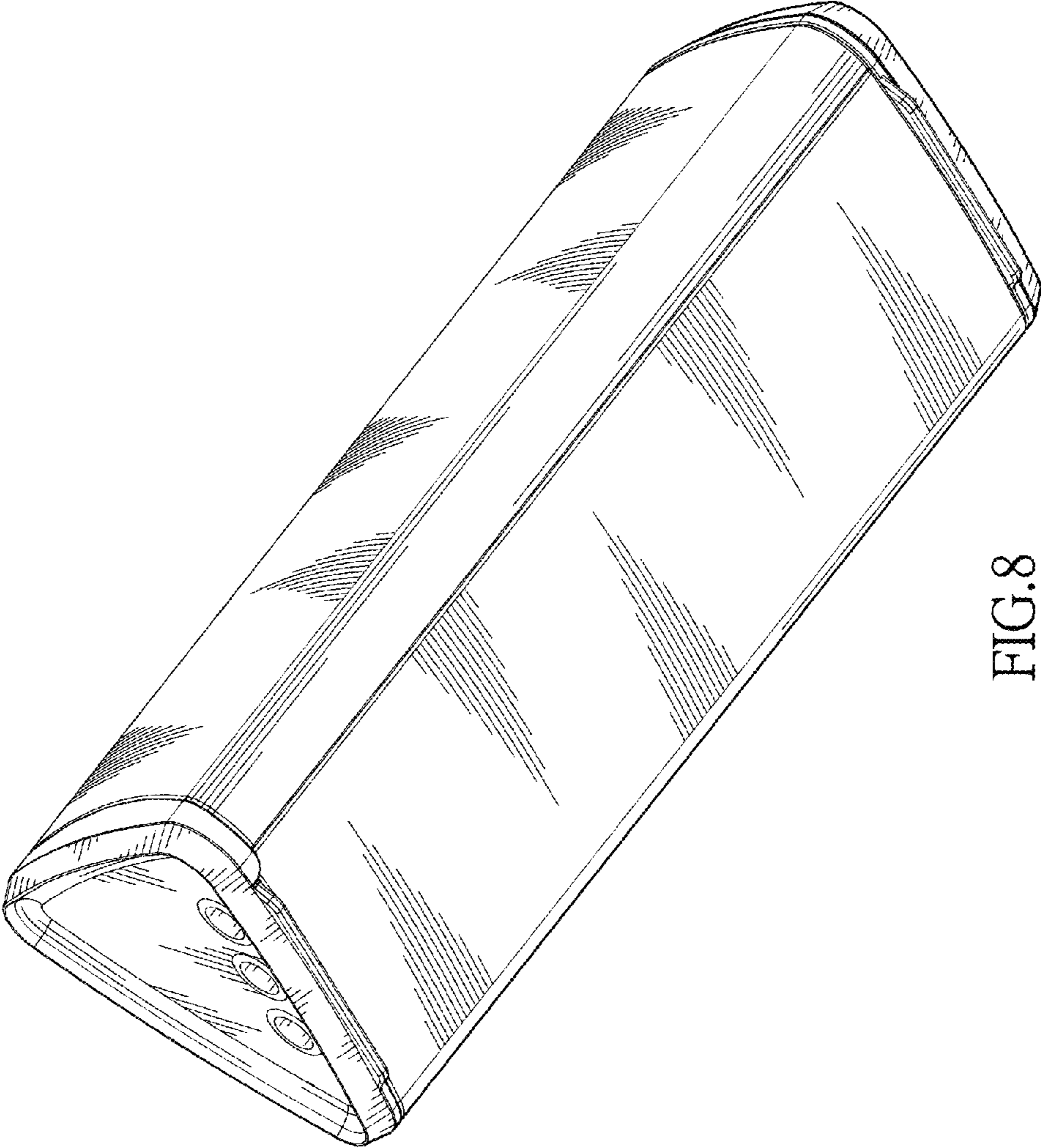


FIG.8