



US00D726681S

(12) **United States Design Patent**  
**Liu**

(10) **Patent No.:** **US D726,681 S**  
(45) **Date of Patent:** **\*\* Apr. 14, 2015**

(54) **TRANSMITTER**

(71) Applicant: **Shenzhen Aetertek Technology Co., Ltd.**, Shenzhen (CN)

(72) Inventor: **Yunbing Liu**, Shenzhen (CN)

(\*\*) Term: **14 Years**

(21) Appl. No.: **29/496,148**

(22) Filed: **Jul. 9, 2014**

(51) **LOC (10) Cl.** ..... **14-03**

(52) **U.S. Cl.**  
USPC ..... **D14/155**

(58) **Field of Classification Search**  
USPC ..... D14/167, 154, 168, 188, 496, 156, 160,  
D14/161, 162, 163, 164, 165, 158, 159, 341,  
D14/346, 342, 345, 137, 155, 218, 225;  
D16/208; D26/38; 455/351, 350;  
D10/104.1, 106, 65; D3/207  
See application file for complete search history.

(56) **References Cited**

**U.S. PATENT DOCUMENTS**

D340,455 S *	10/1993	Christian	.....	D14/217
D356,793 S *	3/1995	Scheid et al.	.....	D14/191
D379,814 S *	6/1997	Biasotti et al.	.....	D14/191
D395,311 S *	6/1998	Parsadayan et al.	.....	D14/218
D398,920 S *	9/1998	Yen	.....	D14/125
D450,007 S *	11/2001	Volanski et al.	.....	D10/104.1
D487,087 S *	2/2004	Wang	.....	D14/357
D516,535 S *	3/2006	Barad	.....	D14/155

D518,469 S *	4/2006	Barad	.....	D14/155
D535,279 S *	1/2007	Krieger et al.	.....	D14/155
D671,091 S *	11/2012	Hauser et al.	.....	D14/155
D671,093 S *	11/2012	Hauser et al.	.....	D14/155
D676,142 S *	2/2013	Chen	.....	D24/215
D685,756 S *	7/2013	Liu	.....	D14/155
D685,757 S *	7/2013	Liu	.....	D14/155
D696,223 S *	12/2013	Will et al.	.....	D14/155
D711,848 S *	8/2014	Liu	.....	D14/155
D717,458 S *	11/2014	Chen	.....	D24/215

\* cited by examiner

*Primary Examiner* — Austin Murphy

(74) *Attorney, Agent, or Firm* — Prakash Nama; Global IP Services, PLLC

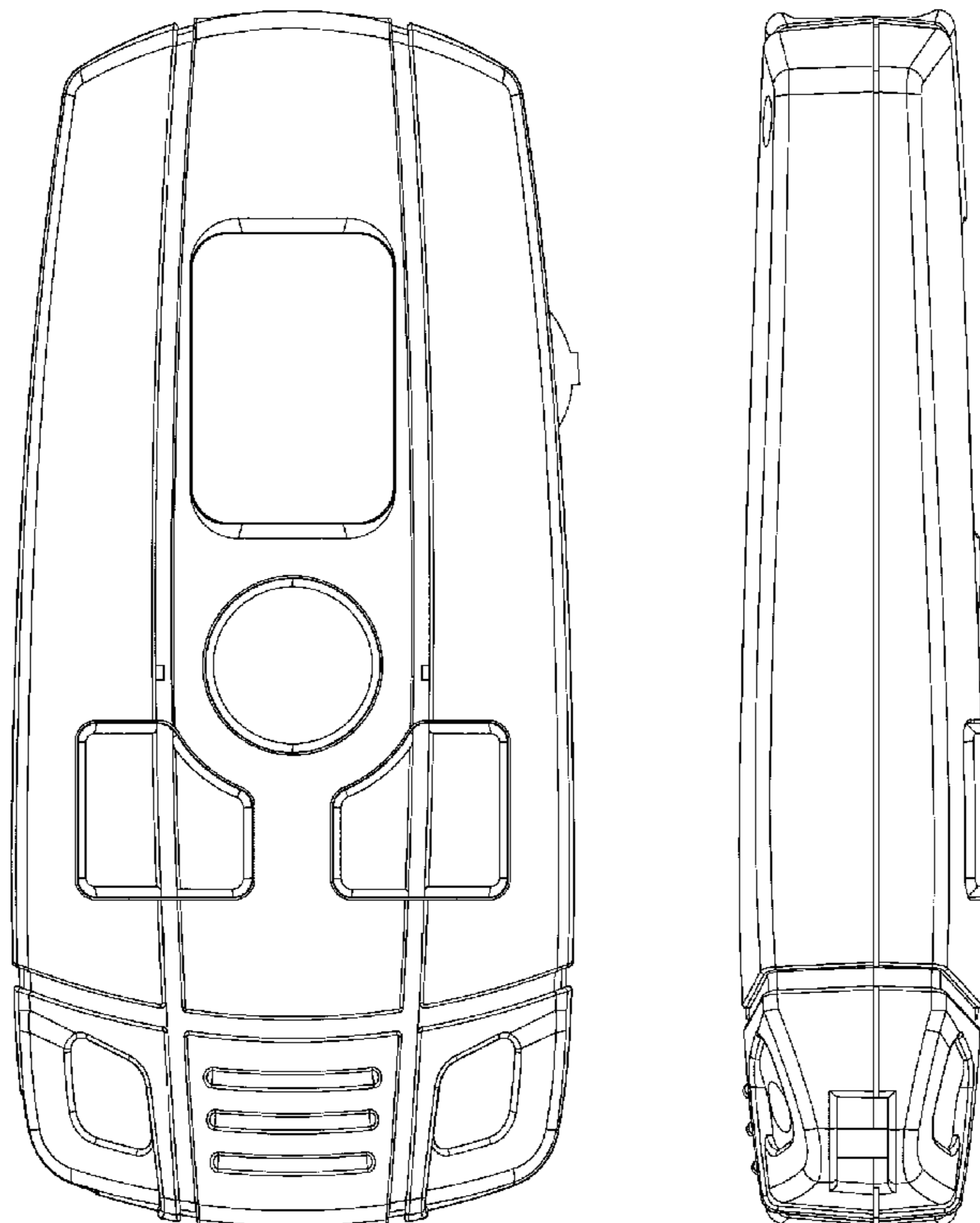
(57) **CLAIM**

The ornamental design for a transmitter, as shown and described.

**DESCRIPTION**

FIG. 1 is a front elevational view of a transmitter showing my new design;  
FIG. 2 is a rear elevational view thereof;  
FIG. 3 is a left side view thereof;  
FIG. 4 is a right side view thereof;  
FIG. 5 is a top plan view thereof;  
FIG. 6 is a bottom plan view thereof;  
FIG. 7 is a front perspective view thereof;  
FIG. 8 is another front perspective view thereof; and,  
FIG. 9 is a back perspective view thereof.  
The broken lines shown in FIG. 2 form no part of the claimed design.

**1 Claim, 7 Drawing Sheets**



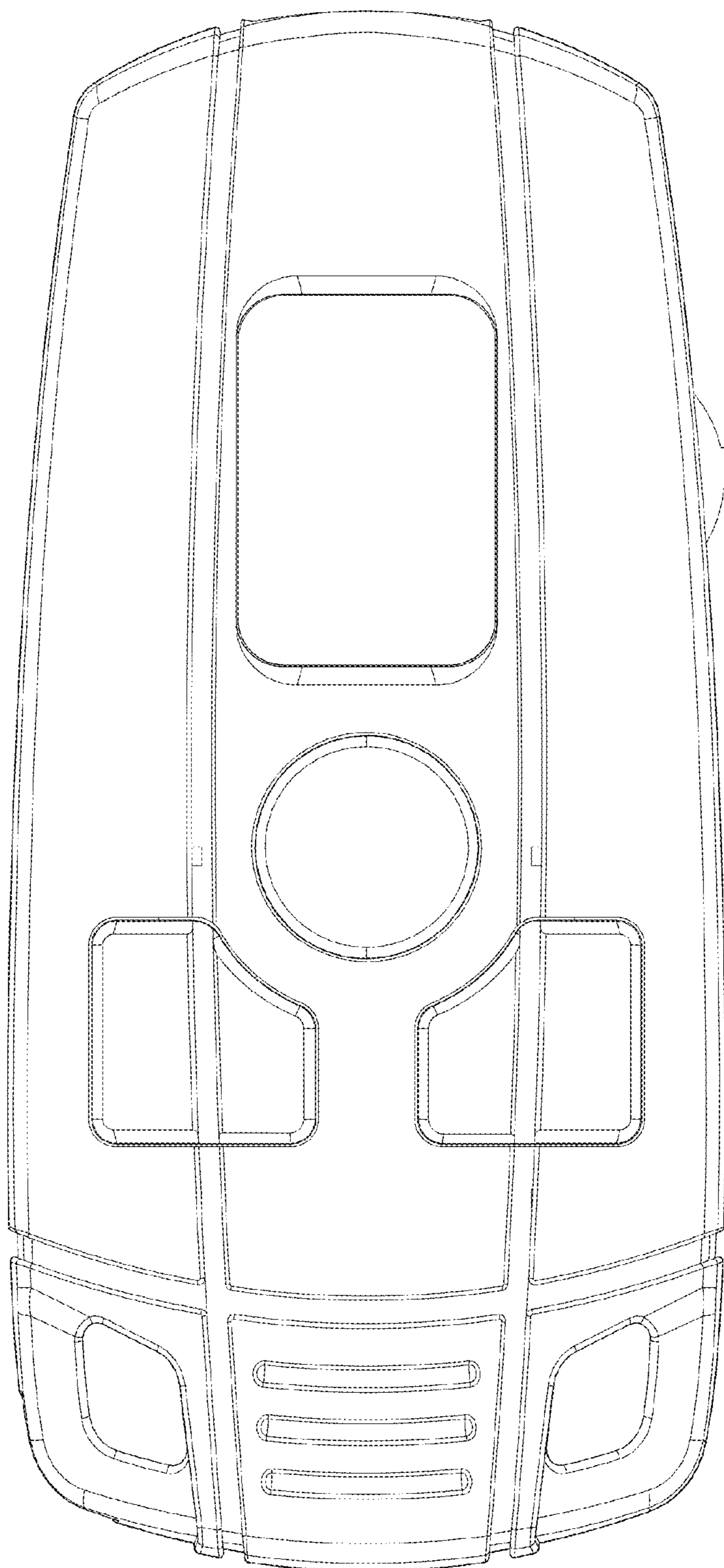


FIG. 1

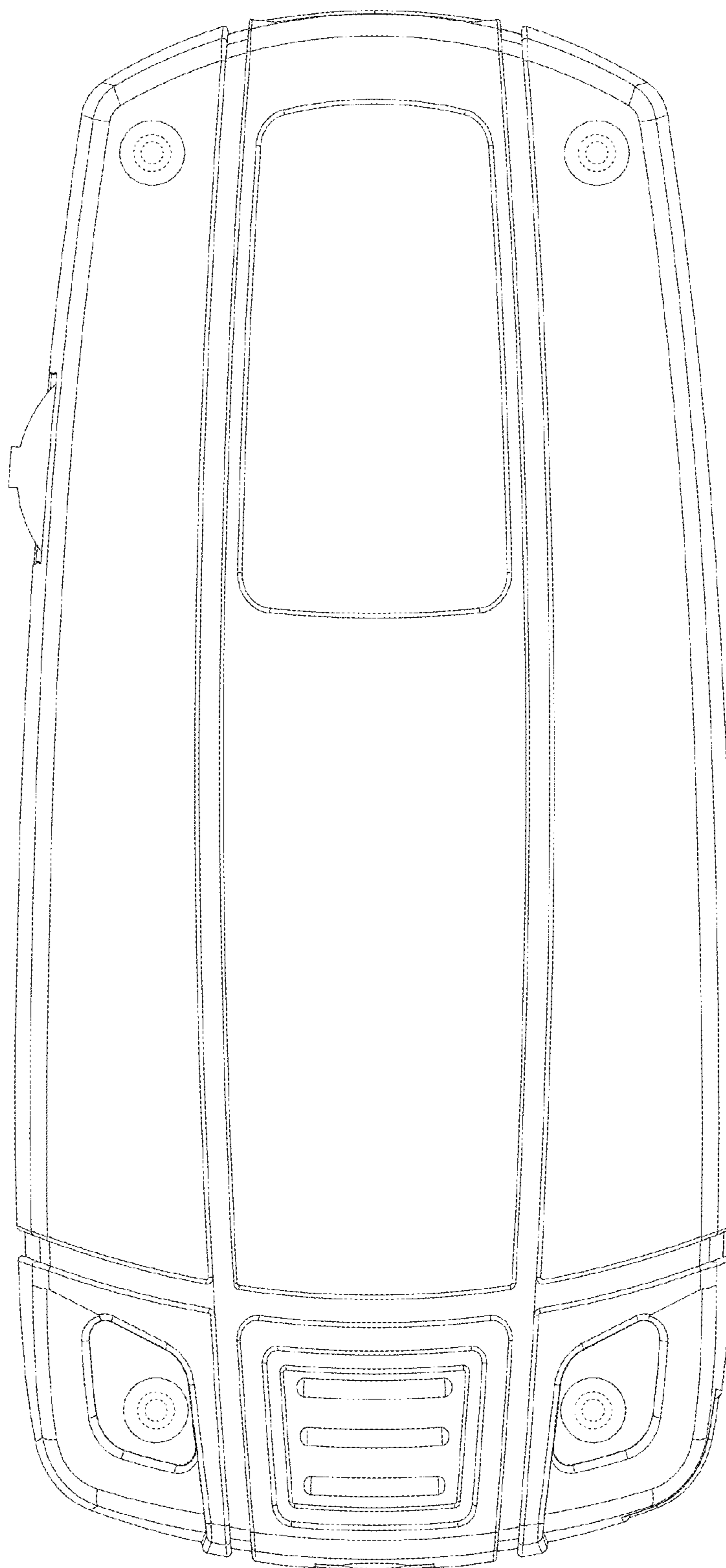


FIG. 2

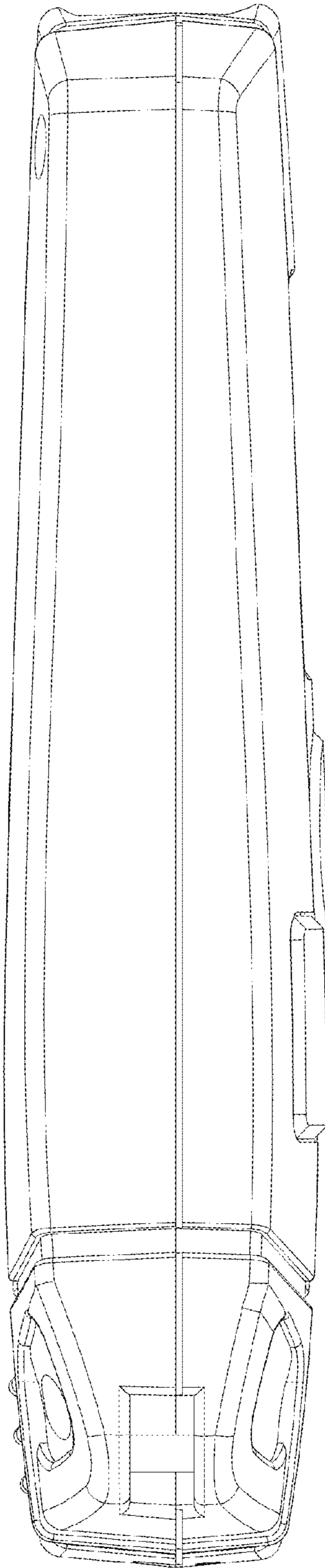


FIG. 3

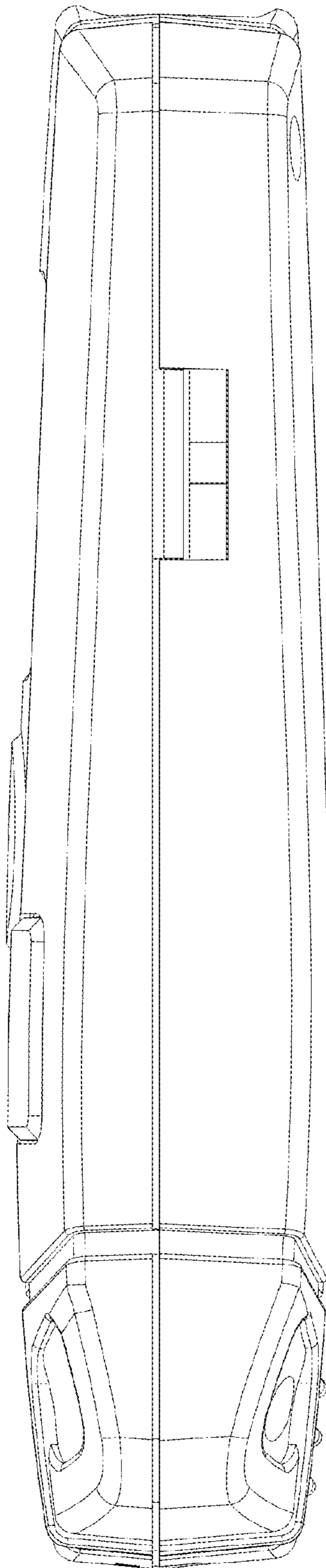


FIG. 4

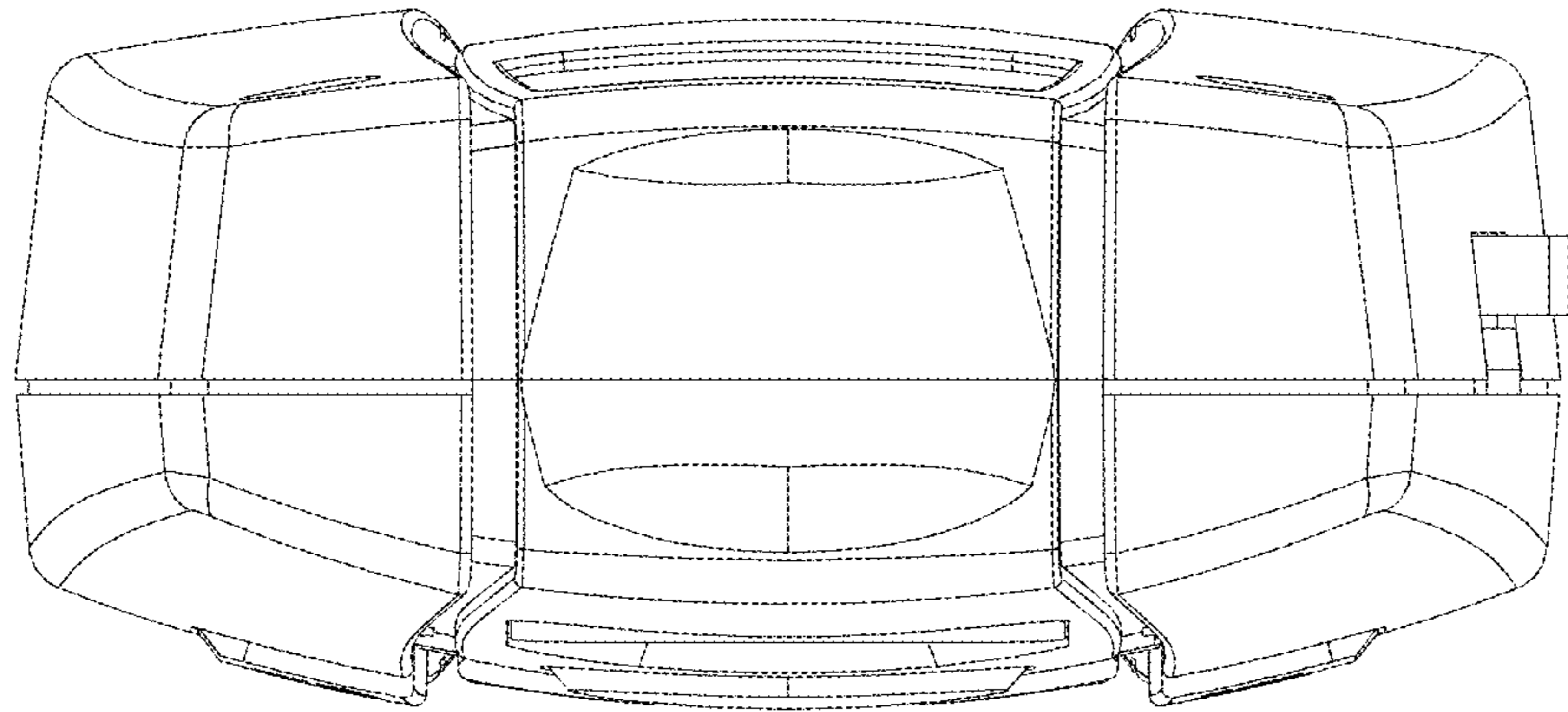


FIG. 5

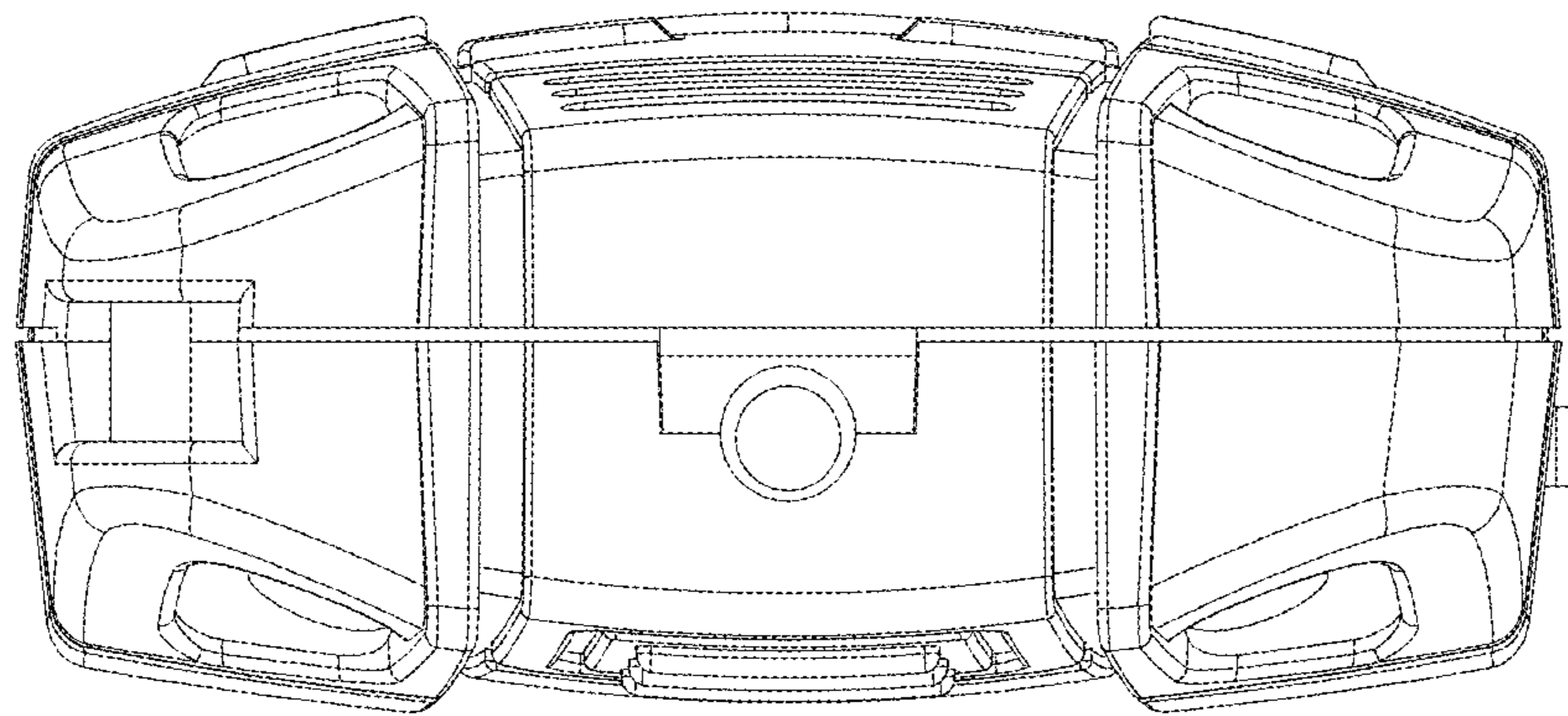


FIG. 6

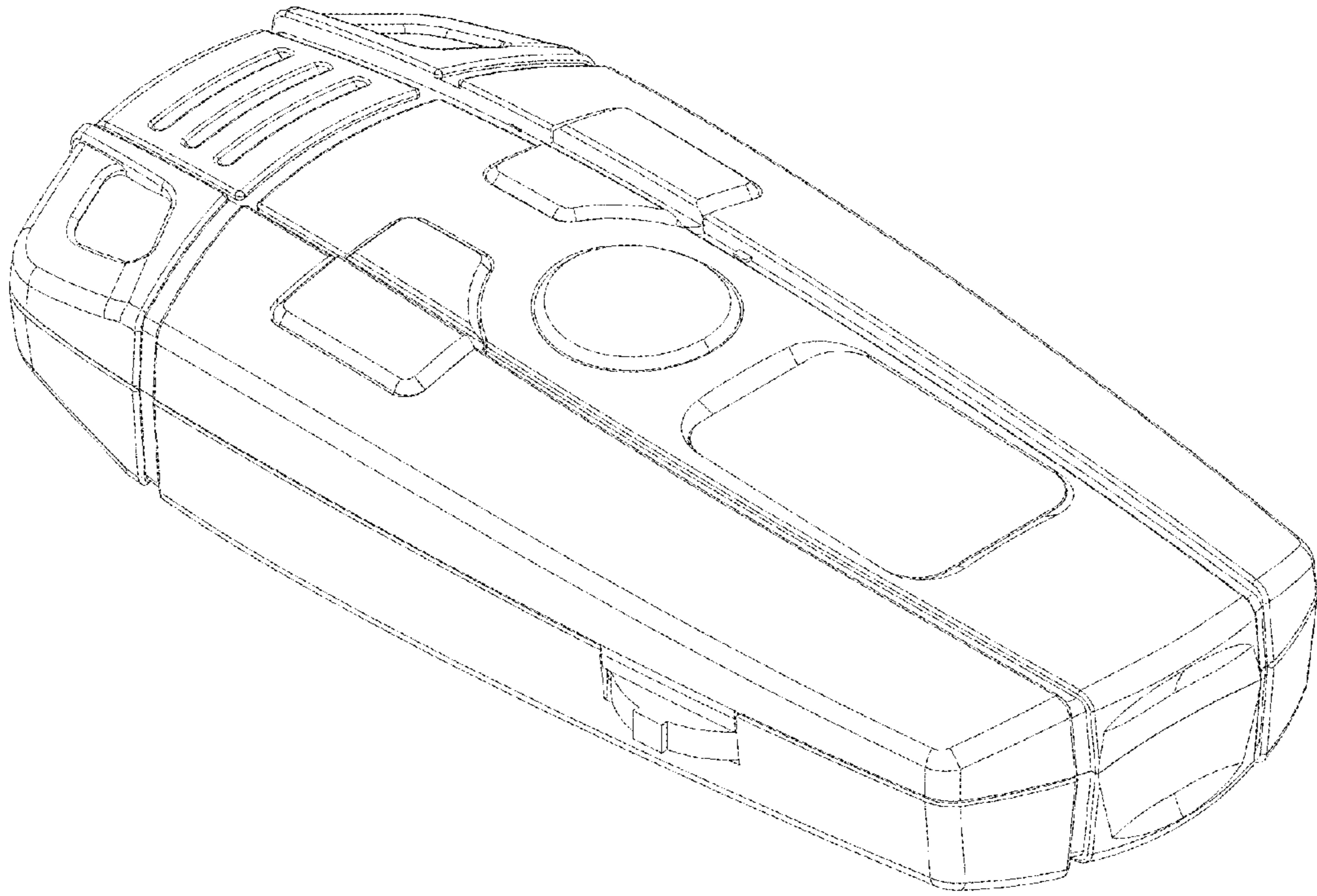


FIG. 7

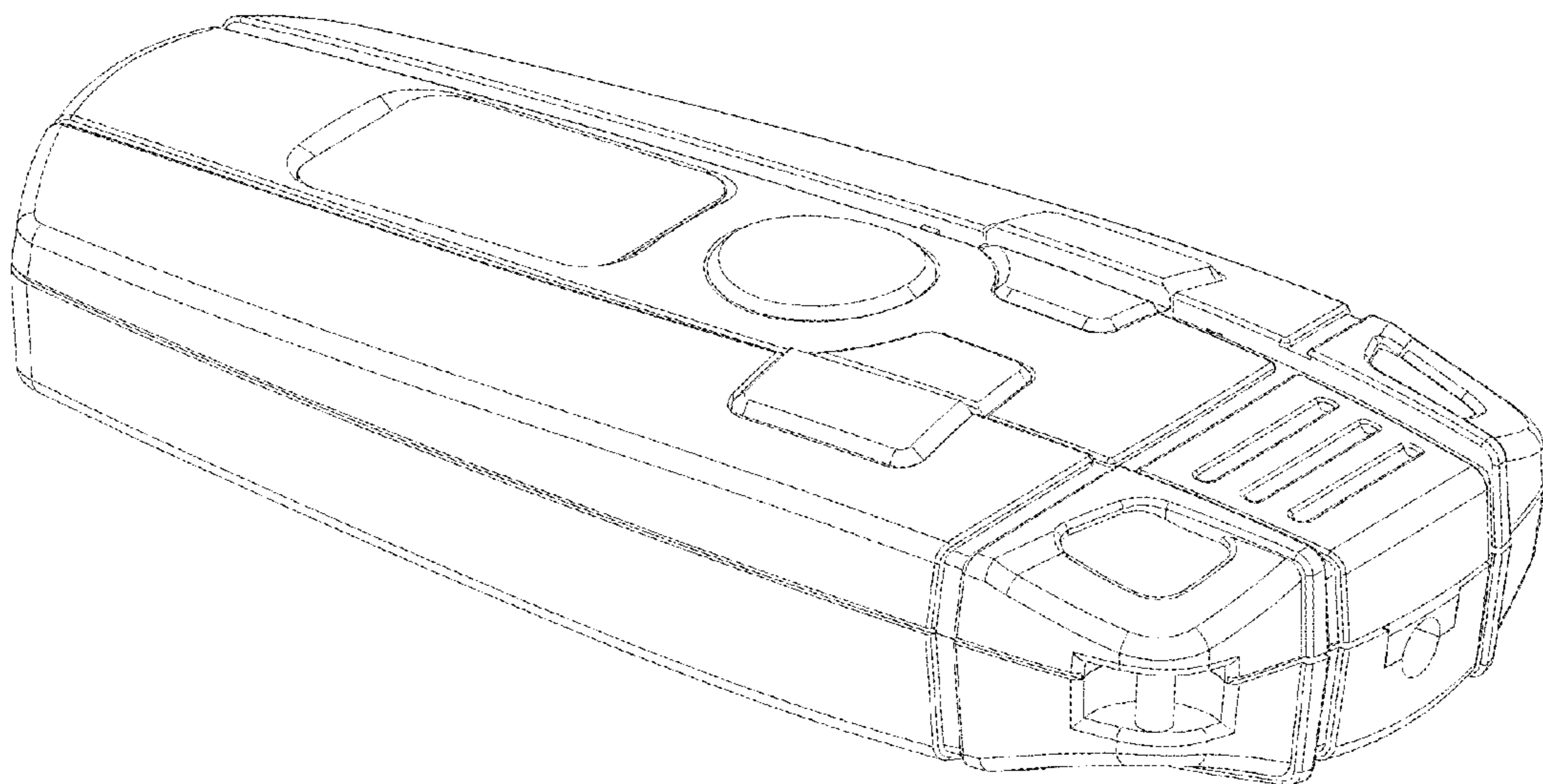


FIG. 8

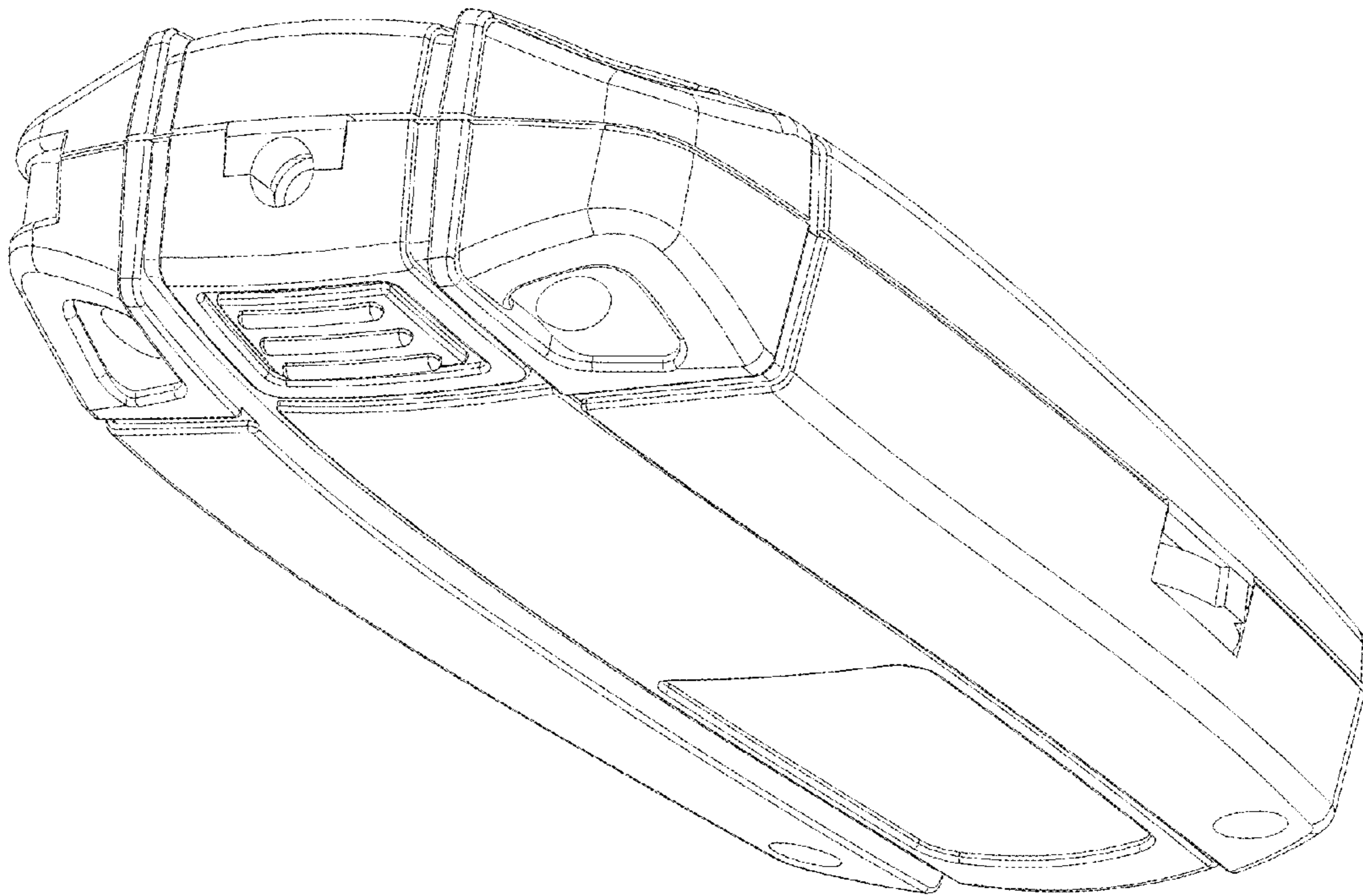


FIG. 9