



US00D726680S

(12) **United States Design Patent**
Kim et al.

(10) **Patent No.:** **US D726,680 S**
(45) **Date of Patent:** **** Apr. 14, 2015**

(54) **MOBILE PHONE**

(71) Applicant: **LG Electronics Inc.**, Seoul (KR)

(72) Inventors: **Dongsoon Kim**, Yongin-si (KR);
Hyunwoo Yoo, Seoul (KR)

(73) Assignee: **LG Electronics Inc.**, Seoul (KR)

(**) Term: **14 Years**

(21) Appl. No.: **29/483,218**

(22) Filed: **Feb. 26, 2014**

(30) **Foreign Application Priority Data**

Aug. 27, 2013 (KR) 30-2013-0043929

(51) **LOC (10) Cl.** **14-03**

(52) **U.S. Cl.**
USPC **D14/138 R**; D14/344; D10/37

(58) **Field of Classification Search**

CPC H04B 1/03; H04B 1/385; G04G 17/083
USPC D14/140, 137, 138 R, 138 AB, 139, 155,
D14/191, 192, 203.1, 203.3, 203.4, 203.5,
D14/203.7, 248, 226, 218, 144, 240, 344,
D14/440, 341, 346, 448, 450, 496;
D10/30-39, 70, 65, 78, 104.1, 104.2,
D10/125; D11/3-5, 12, 19, 25; D13/168;
D8/354, 366, 402, 499; D3/215;
D15/199; 381/364, 151; 379/433.1;
455/575.1, 556.1, 556.2, 558, 575.3,
455/575.4, 575.6, 90.3; 368/10, 13, 69,
368/223; D21/329; D24/167

See application file for complete search history.

(56) **References Cited**

U.S. PATENT DOCUMENTS

D80,307 S * 1/1930 Lyons D10/38
1,786,762 A * 12/1930 Lyons 368/281

3,585,794 A * 6/1971 Klingenberg 368/281
3,735,585 A * 5/1973 Takagi 368/281
D227,926 S * 7/1973 Kohler D10/39

(Continued)

OTHER PUBLICATIONS

Wrist type mobile devices (1/8-Designs- © Questel). orbit.com [online] 44 pages. Uploaded range from 2007-2014 [retrieved on Sep. 22, 2014]. Retrieved from Internet: <http://sobjprd.questel.fr/export/QPTUJ214/pdf2/2f78fa37-6e03-40fa-b853-941e65da78d9-175438.pdf>.*

(Continued)

Primary Examiner — Susan Bennett Hattan

Assistant Examiner — Marie Fast Horse

(74) *Attorney, Agent, or Firm* — Birch, Stewart, Kolasch & Birch, LLP

(57) **CLAIM**

The ornamental design for a mobile phone, as shown and described.

DESCRIPTION

FIG. 1 is a perspective view of a mobile phone showing our new design;

FIG. 2 is a front view thereof;

FIG. 3 is a rear view thereof;

FIG. 4 is a left side view thereof;

FIG. 5 is a right side view thereof;

FIG. 6 is a top plan view thereof;

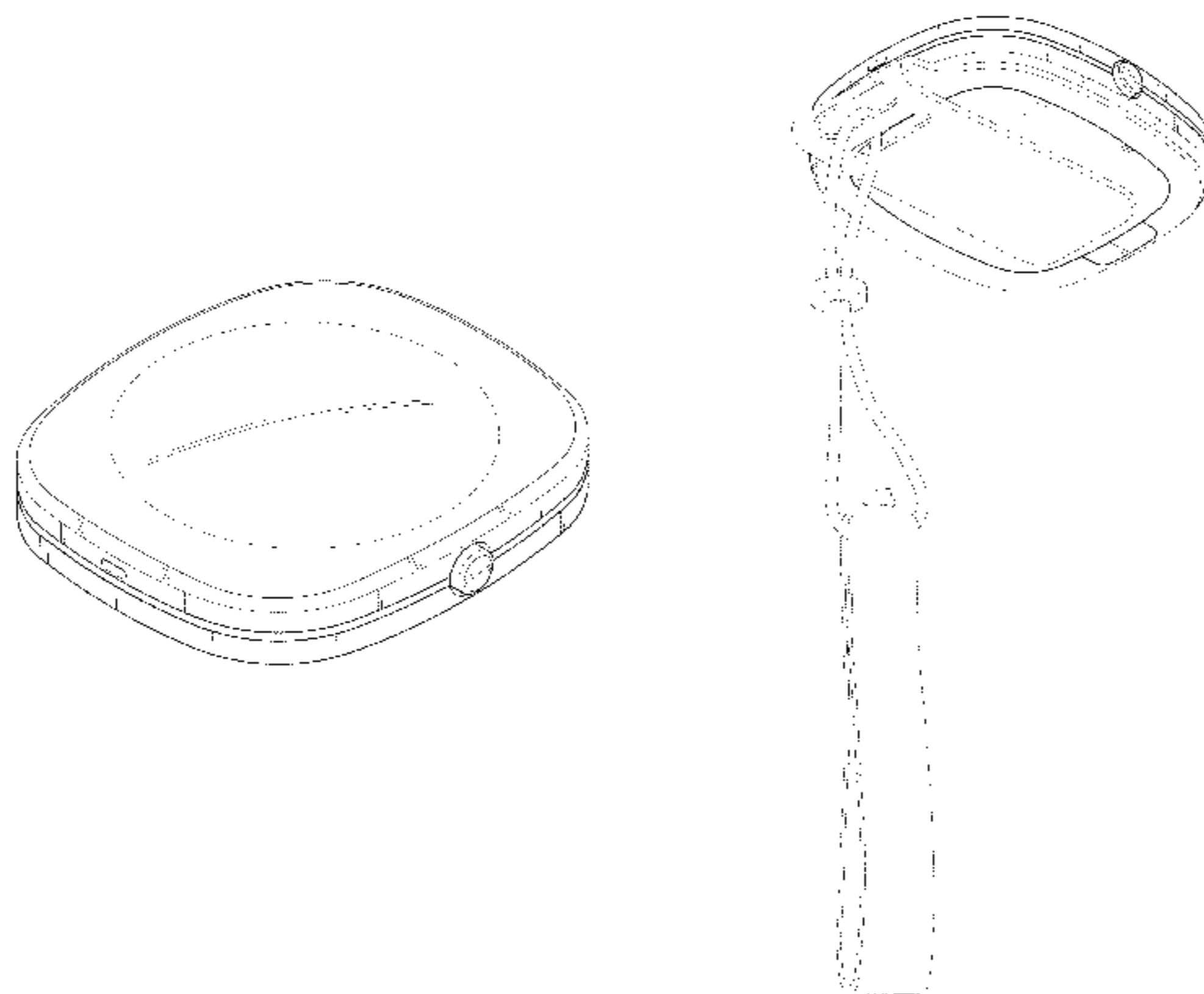
FIG. 7 is a bottom plan view thereof;

FIG. 8 is a reference view showing the usage of the subject design in which the subject design has been attached to the watch band; and,

FIG. 9 is a reference view showing the usage of the subject design in which the subject design has been attached to the clip with a strap.

The broken lines in FIGS. 8 and 9 showing the watch band and the clip with a strap depict environmental subject matter and form not part of the claimed design while all other broken lines depict portions of the mobile phone that form no part of the claimed design.

1 Claim, 9 Drawing Sheets



(56)

References Cited

U.S. PATENT DOCUMENTS

3,748,849 A * 7/1973 Takagi 368/292
 3,789,601 A * 2/1974 Bergey 368/69
 D239,512 S * 4/1976 Tsukui D10/38
 D245,400 S * 8/1977 Osawa et al. D10/30
 D246,576 S * 12/1977 Inaba D10/30
 D247,701 S * 4/1978 Kwon D10/31
 D248,223 S * 6/1978 Sulek D10/38
 D256,677 S * 9/1980 Muramatsu D10/39
 4,287,400 A * 9/1981 Kitik et al. 200/302.3
 D261,113 S * 10/1981 Fukumura D10/39
 D262,457 S * 12/1981 Swales D14/155
 D263,452 S * 3/1982 Wada D10/38
 D264,946 S * 6/1982 Hirabayashi D10/38
 D265,062 S * 6/1982 Hirabayashi D10/38
 D265,063 S * 6/1982 Iida D10/38
 D265,799 S * 8/1982 Suzuki D10/39
 D266,230 S * 9/1982 Tsukahara D10/38
 D270,430 S * 9/1983 Fukuoka D10/39
 4,444,513 A * 4/1984 Proellocks et al. 368/223
 D295,387 S * 4/1988 Kumagai D10/39
 D331,020 S * 11/1992 Ishii et al. D10/31
 D340,414 S * 10/1993 DeGraeve D10/39
 D361,042 S * 8/1995 Nanayakkara D10/31
 D448,680 S * 10/2001 Kubo D10/30
 D528,441 S * 9/2006 Burton D10/38
 D528,928 S * 9/2006 Burton D10/38
 D561,612 S * 2/2008 Finazzi D10/38
 D580,803 S * 11/2008 Whittaker D10/65
 D584,170 S * 1/2009 Morrison D10/32
 D596,610 S * 7/2009 Hou D14/144
 D603,827 S * 11/2009 Tompkin et al. D14/138 AD
 D632,192 S * 2/2011 Jorst et al. D10/38
 D638,725 S * 5/2011 Morrison D10/39
 D639,955 S * 6/2011 Riobo Aboy et al. D24/165
 D645,360 S * 9/2011 Kiser et al. D10/32

D648,298 S * 11/2011 Pierce et al. D14/138 G
 8,059,491 B1 * 11/2011 Hennings-Kampa 368/14
 D672,667 S * 12/2012 Mix D10/65
 D692,784 S * 11/2013 Anderssen et al. D10/70
 D693,248 S * 11/2013 Anderssen et al. D10/65
 D693,249 S * 11/2013 Anderssen et al. D10/65
 D693,251 S * 11/2013 Anderssen et al. D10/70
 D705,980 S * 5/2014 Davidson et al. D26/118
 D708,534 S * 7/2014 Martin D10/104.1
 D712,755 S * 9/2014 Stegmann D10/38
 D714,288 S * 9/2014 Aumiller et al. D14/344
 2003/0002394 A1 * 1/2003 Kinkio et al. 368/281
 2007/0279852 A1 * 12/2007 Daniel et al. 361/683
 2013/0001263 A1 * 1/2013 Kai 224/219
 2013/0222139 A1 * 8/2013 Gouge et al. 340/573.1
 2014/0045547 A1 * 2/2014 Singamsetty et al. 455/552.1

OTHER PUBLICATIONS

Squirle Watch. www.bustedtees.com [online] 2 pages. Uploaded Feb. 18, 2013 [retrieved on Oct. 8, 2014]. Retrieved from Internet: <<https://web.archive.org/web/20130218172958/http://www.bustedtees.com/squirlewatch/>>.*
 Vigorelli silicone (watch store). www.dezeen.com [online] p. 1-3 of 11. Uploaded Sep. 29, 2011 [retrieved on Oct. 8, 2014]. Retrieved from Internet: <<http://www.dezeen.com/2012/06/13/dezeen-watch-store-vigorelli-silicone-by-matteo-ragni/>>.*
 Lorenz Vigorelli Watch. watches-on-time.com[online] p. 1 of 3. Apr. 22, 2012 [retrieved on Oct. 8, 2014]. Retrieved from Internet: <<http://watches-on-time.com/2012/04/lorenz-vigorelli/>>.*
 Casio-la670wga-9df. lelong.com[online] 1 page. Jan. 29, 2014 [retrieved on Oct. 8, 2014]. Retrieved from Internet: <http://www.lelong.com.my/9733-cny-promo-9733-casio-la670wga-9df-mini-classic-gold-retro-watch-imywatch-123175165-2014-01-Sale-P.htm>.*

* cited by examiner

FIG. 1

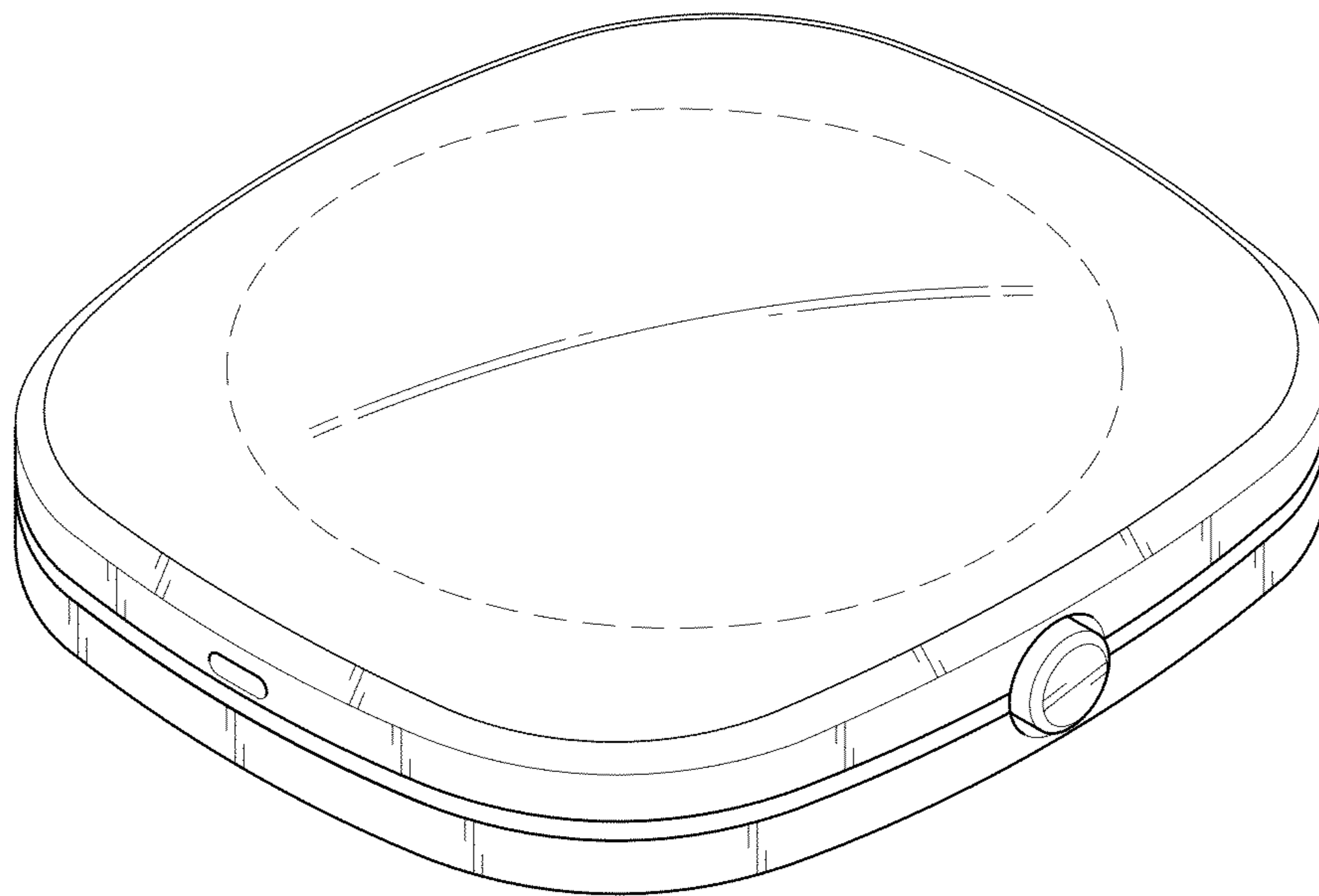


FIG. 2

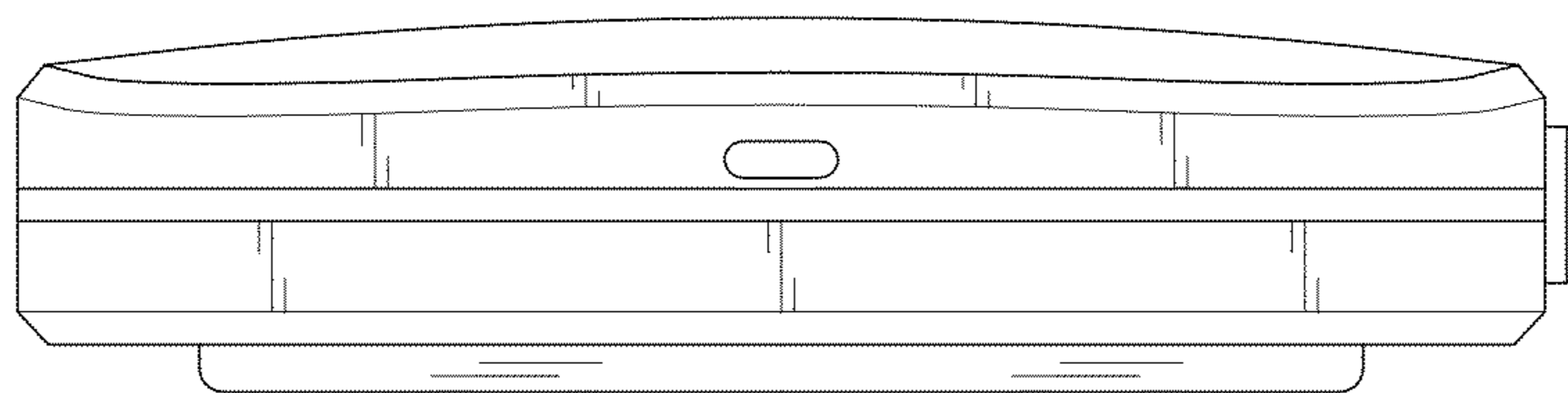


FIG. 3

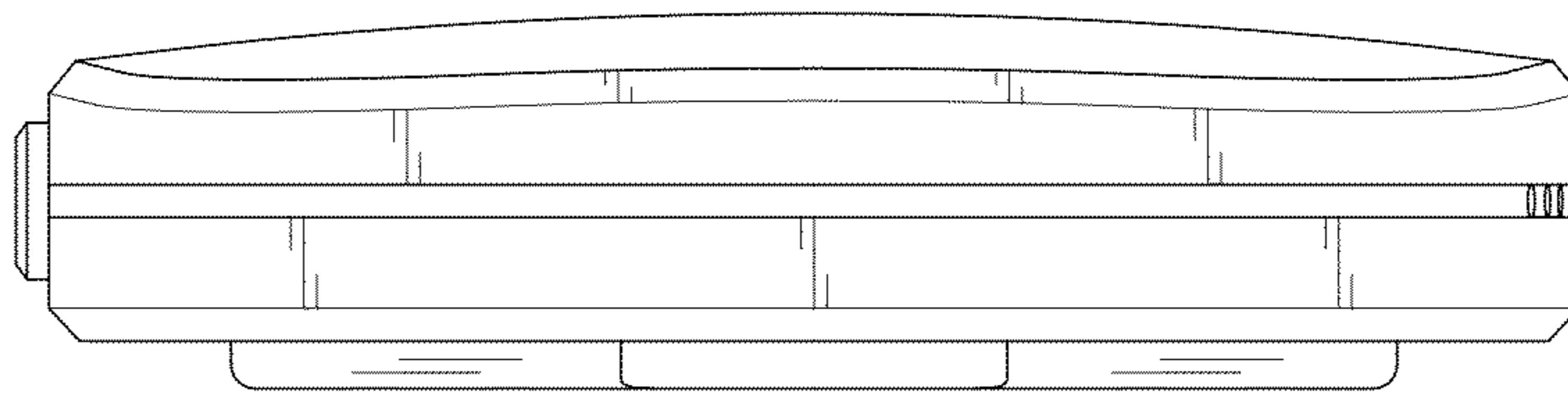


FIG. 4

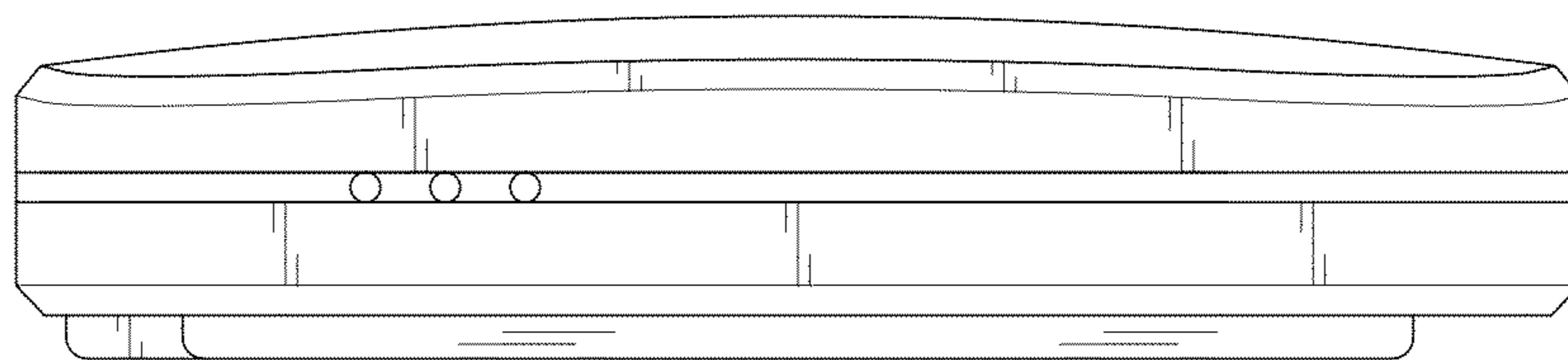


FIG. 5

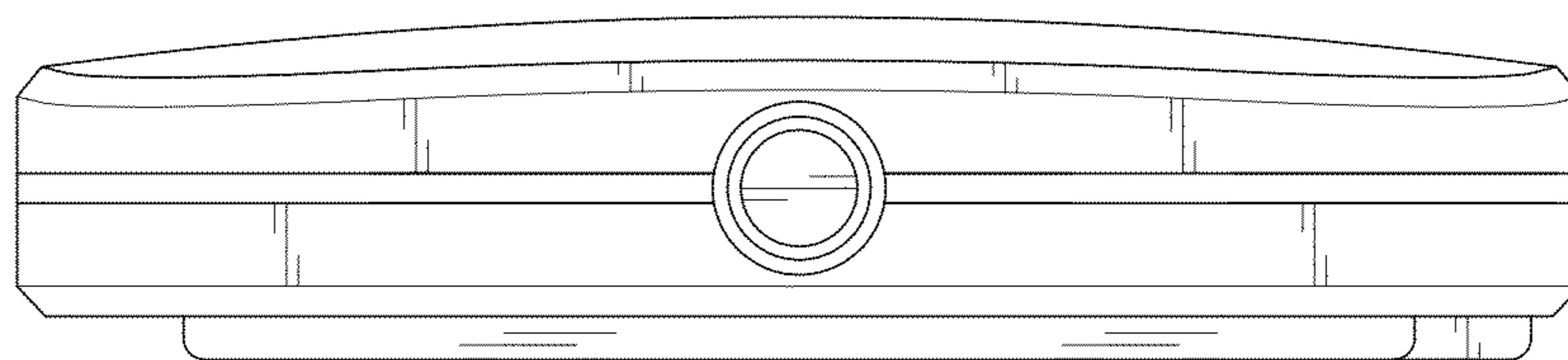


FIG. 6

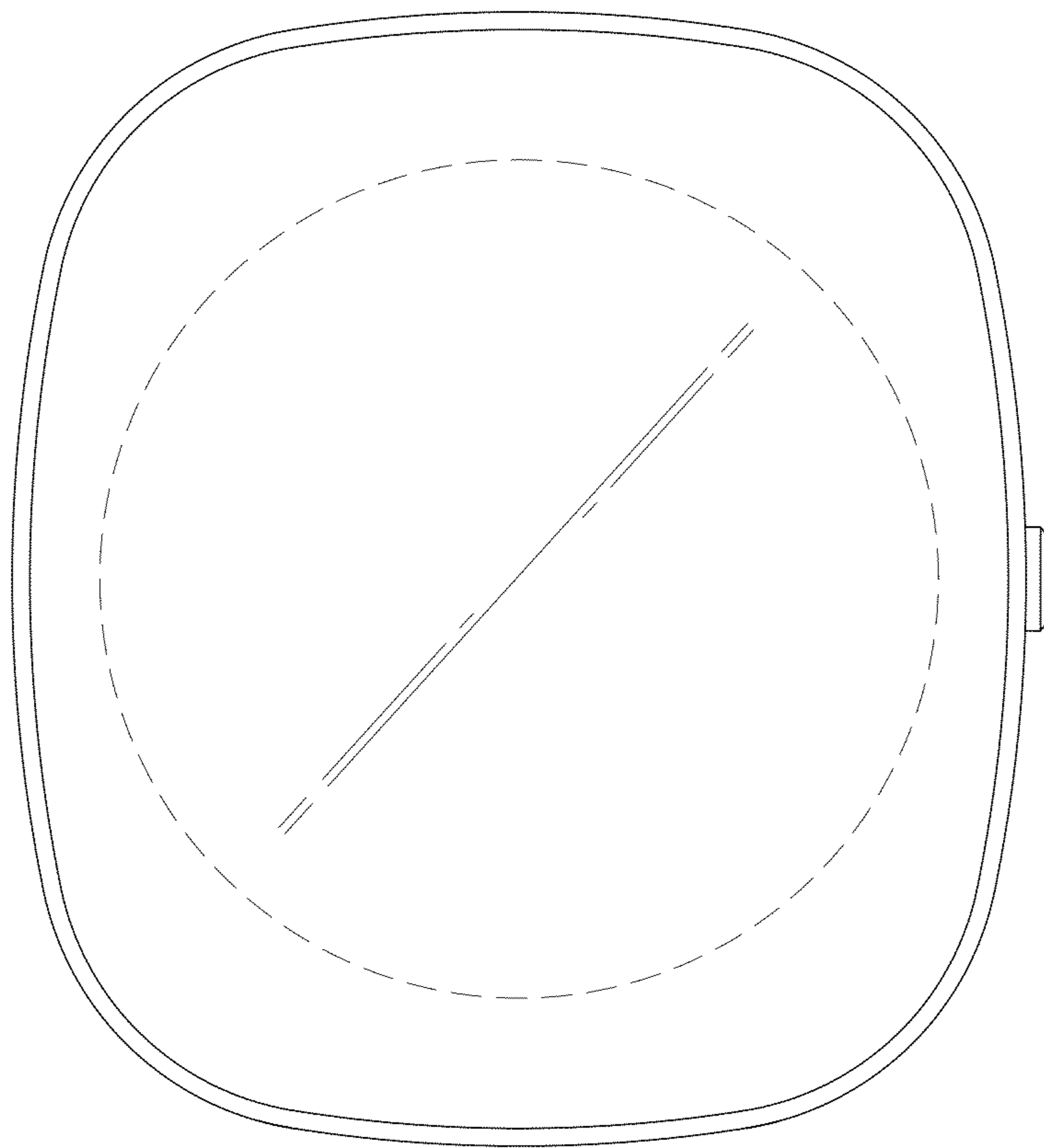


FIG. 7

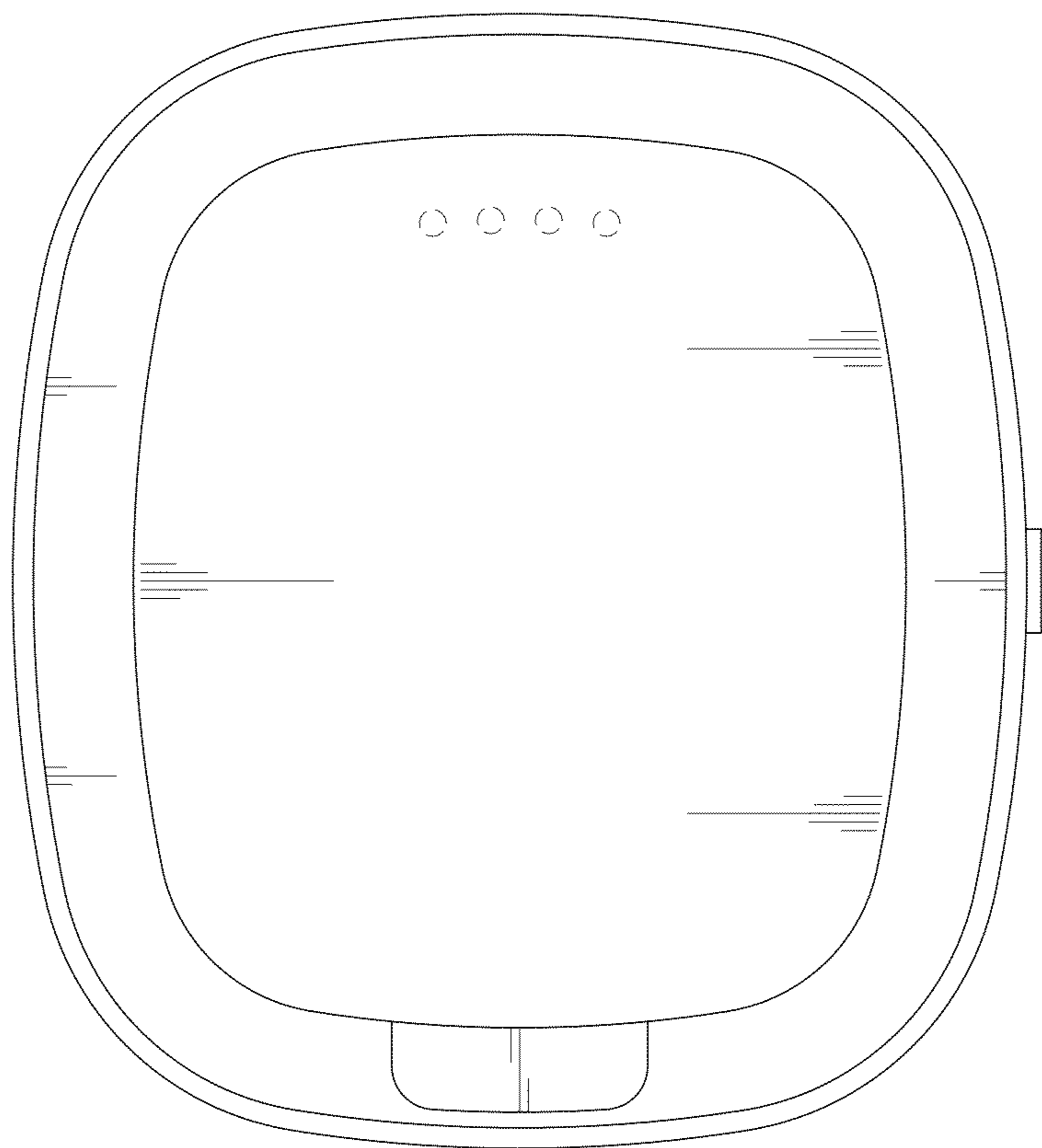


FIG. 8

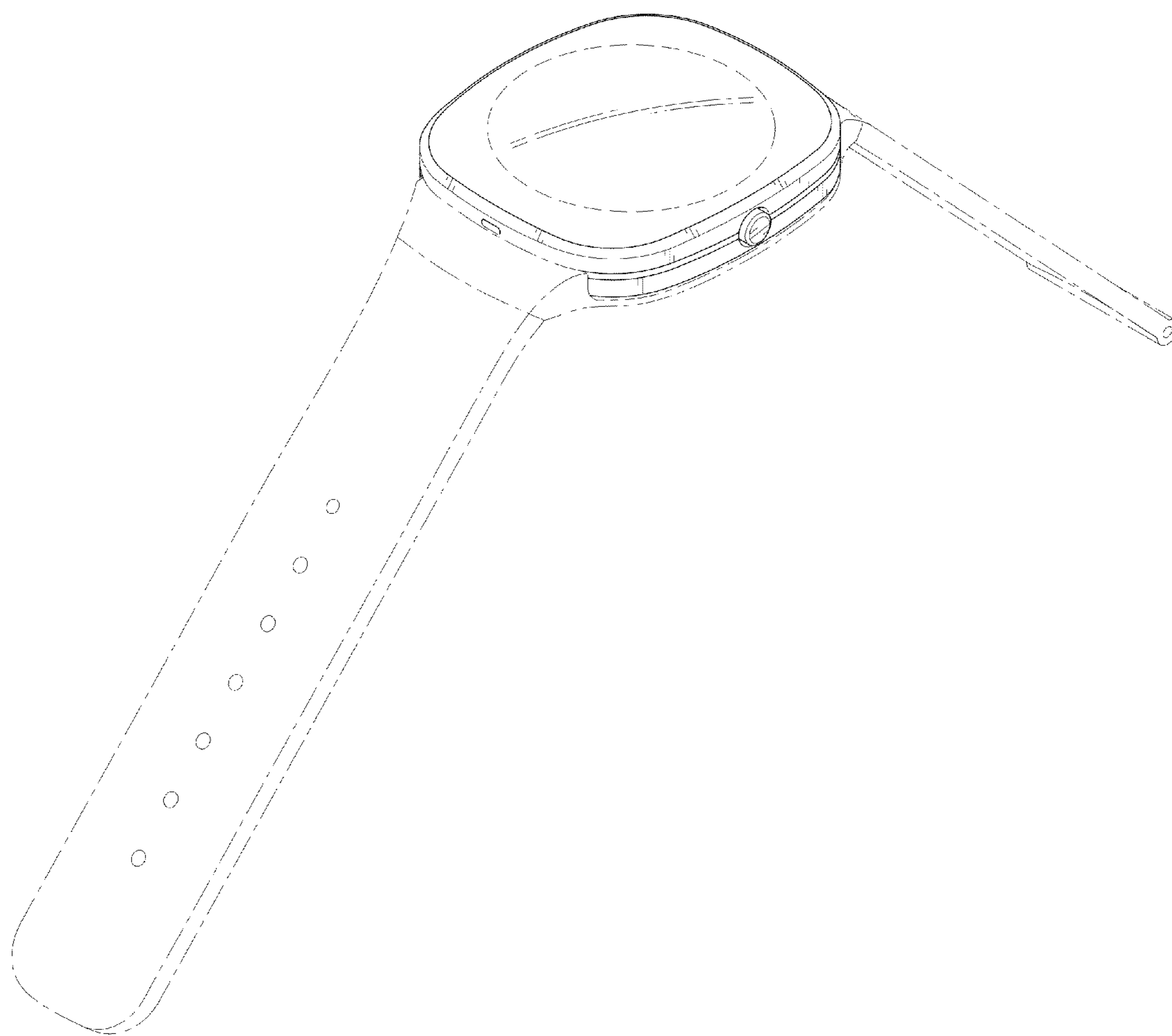


FIG. 9

