



US00D726671S

(12) **United States Design Patent**
Koiwa

(10) **Patent No.:** **US D726,671 S**
(45) **Date of Patent:** **** Apr. 14, 2015**

(54) **DIGITAL VIDEO DISC PLAYER WITH DISPLAY FOR AUTOMOBILE**

(71) Applicant: **JVC Kenwood Corporation**, Kanagawa (JP)

(72) Inventor: **Tomotaro Koiwa**, Kanagawa (JP)

(73) Assignee: **JVC Kenwood Corporation**, Kanagawa (JP)

(**) Term: **14 Years**

(21) Appl. No.: **29/502,856**

(22) Filed: **Sep. 19, 2014**

(30) **Foreign Application Priority Data**

Jul. 23, 2014 (JP) 2014-015920

(51) **LOC (10) Cl.** **14-03**

(52) **U.S. Cl.**
USPC **D14/132**

(58) **Field of Classification Search**
CPC ... G06F 1/1601; G06F 1/1643; H05K 5/0004;
H05K 5/0017; H05K 5/02; H05K 5/0217
USPC D14/125-134, 239, 371, 136, 374-377,
D14/440, 450, 448, 336, 342, 159; 312/7.2;
348/836, 838, 180, 184, 325, 739;
248/917-924, 465; 345/104, 133, 156,
345/168, 87, 173; D21/329, 515, 577, 622,
D21/333, 433, 448, 452, 450, 331, 505;
D10/15, 26; 446/484, 175, 356;
D6/477, 479, 300; D24/185; D34/14
See application file for complete search history.

(56) **References Cited**

U.S. PATENT DOCUMENTS

6,816,177 B2 * 11/2004 Wang et al. 312/7.2
D533,859 S * 12/2006 Nishii et al. D14/132
D550,637 S * 9/2007 Iwamoto et al. D14/132

D572,218 S * 7/2008 Iwamoto D14/132
D575,252 S * 8/2008 Iwamoto D14/132
D580,898 S * 11/2008 Aihara D14/132
D623,626 S * 9/2010 Tomono et al. D14/168
D630,612 S * 1/2011 Tomono et al. D14/157

* cited by examiner

Primary Examiner — Raphael Barkai

(74) *Attorney, Agent, or Firm* — Osha Liang LLP

(57) **CLAIM**

The ornamental design for a digital video disc player with display for automobile, as shown and described.

DESCRIPTION

FIG. 1 is a perspective view of front, top and right side of a digital video disc player with display for automobile showing my new design;

FIG. 2 is a front view thereof;

FIG. 3 is a rear view thereof;

FIG. 4 is a left side view thereof;

FIG. 5 is a right side view thereof;

FIG. 6 is a top view thereof;

FIG. 7 is a bottom view thereof;

FIG. 8 is a perspective view showing an alternate position thereof;

FIG. 9 is a front view showing an alternate position thereof;

FIG. 10 is a rear view showing an alternate position thereof;

FIG. 11 is a left side view showing an alternate position thereof;

FIG. 12 is a right side view showing an alternate position thereof;

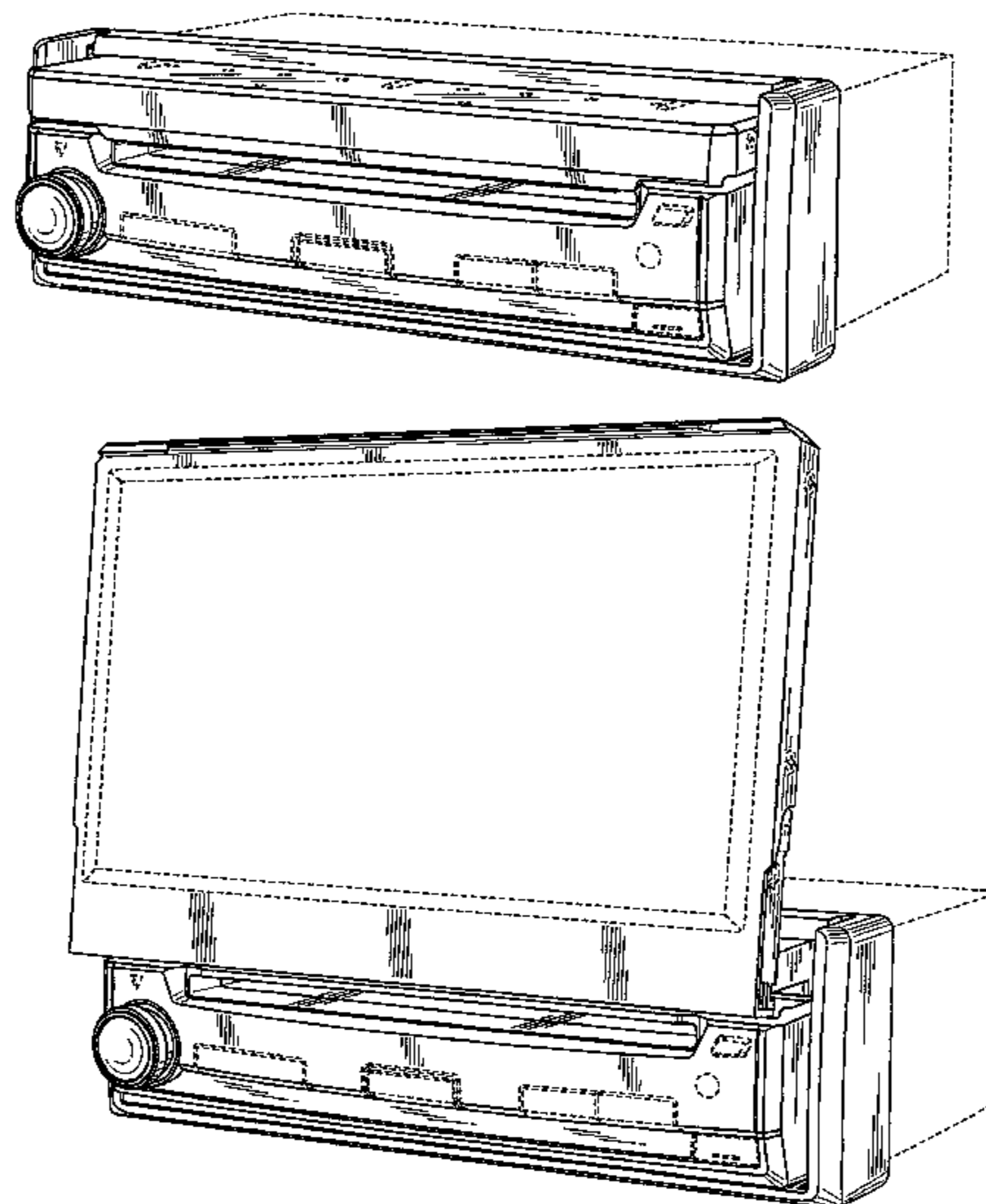
FIG. 13 is a top view showing an alternate position thereof;

and,

FIG. 14 is a bottom view showing an alternate position.

The broken lines shown are included for the purpose of illustrating the unclaimed portions of a digital video disc player with display for automobile and form no part of the claimed design.

1 Claim, 12 Drawing Sheets



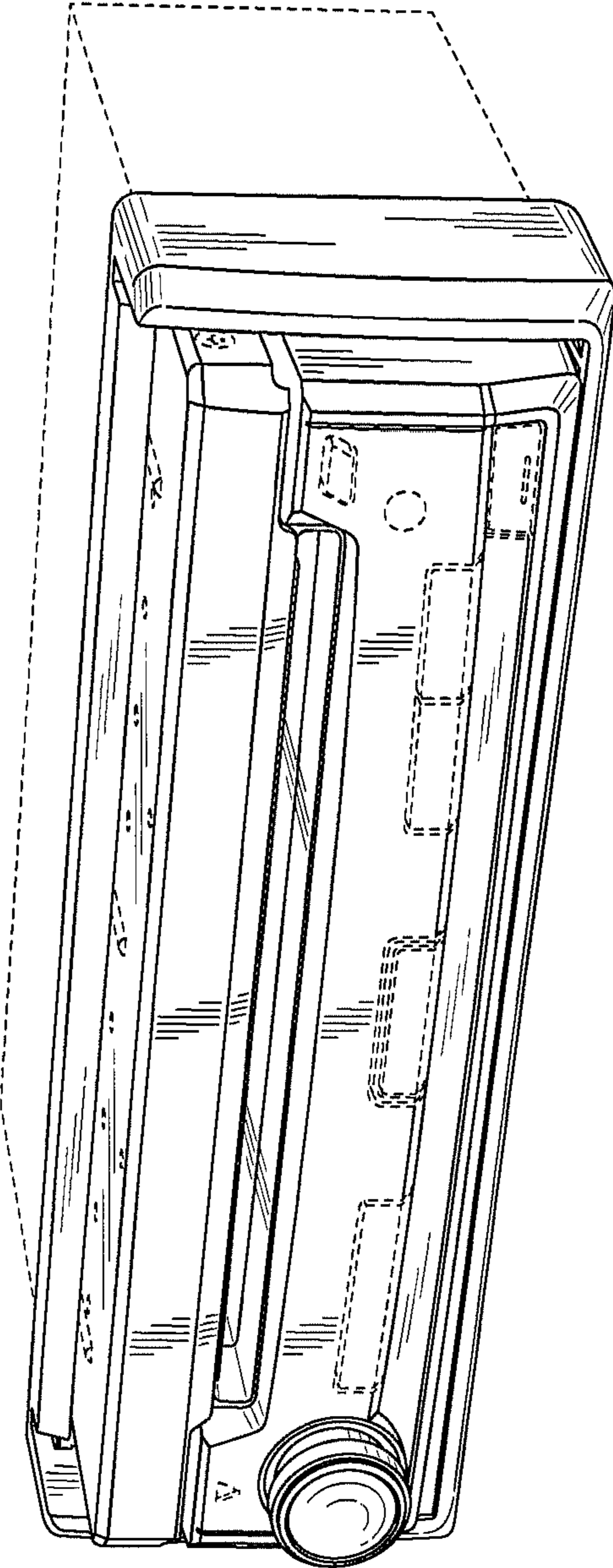


FIG. 1

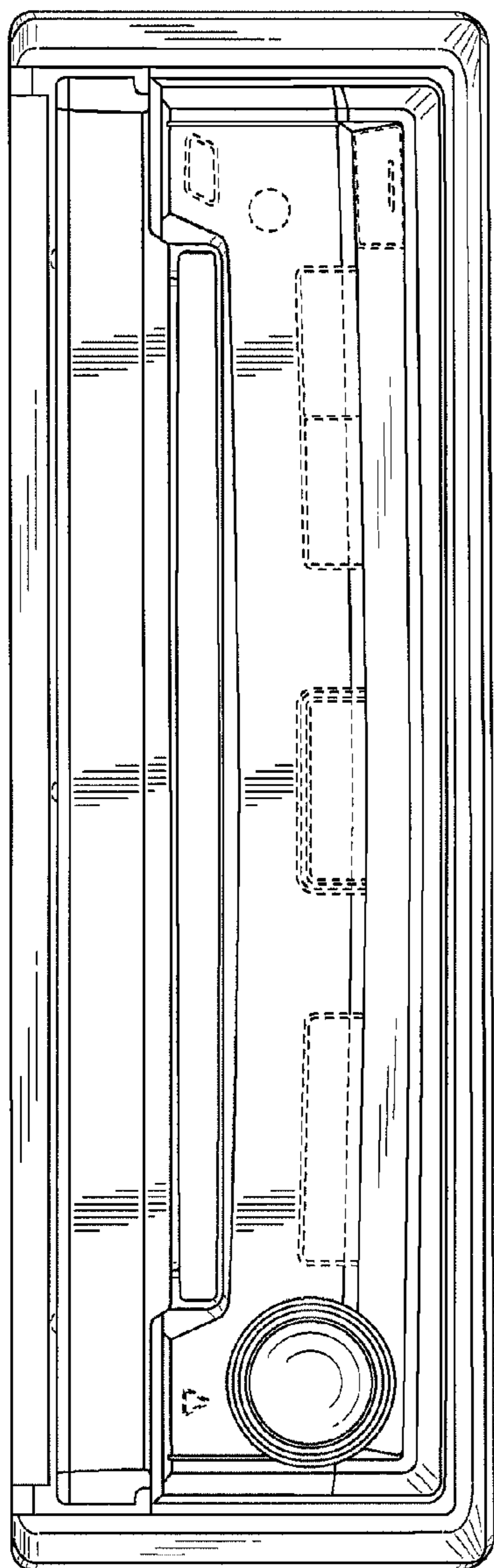


FIG. 2

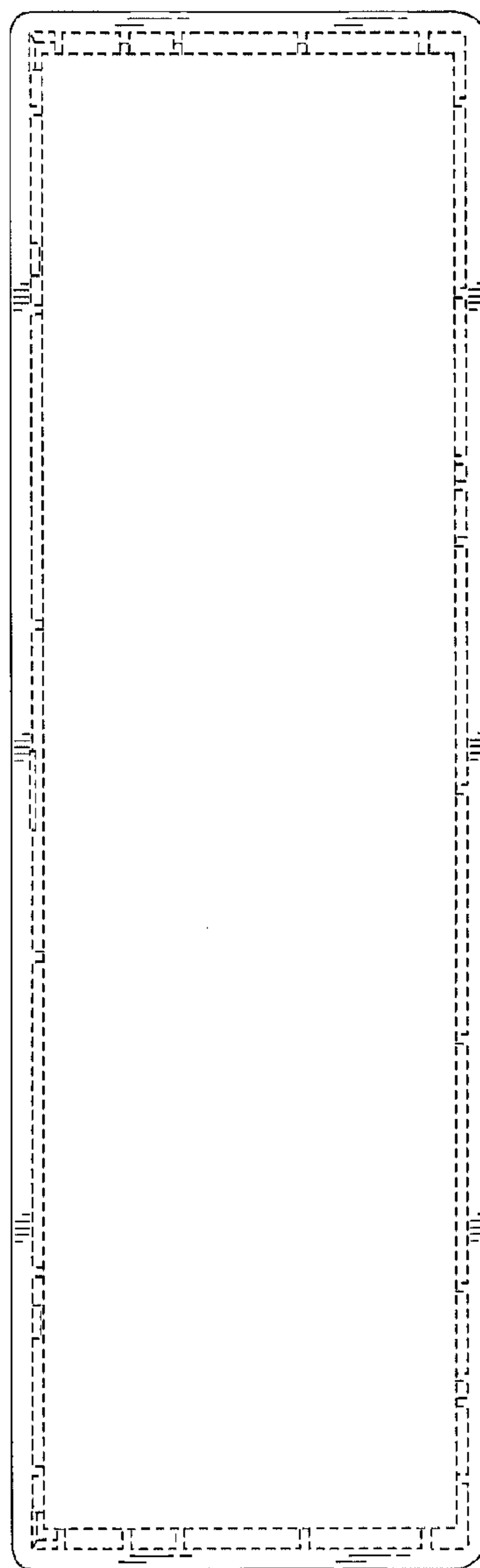


FIG. 3

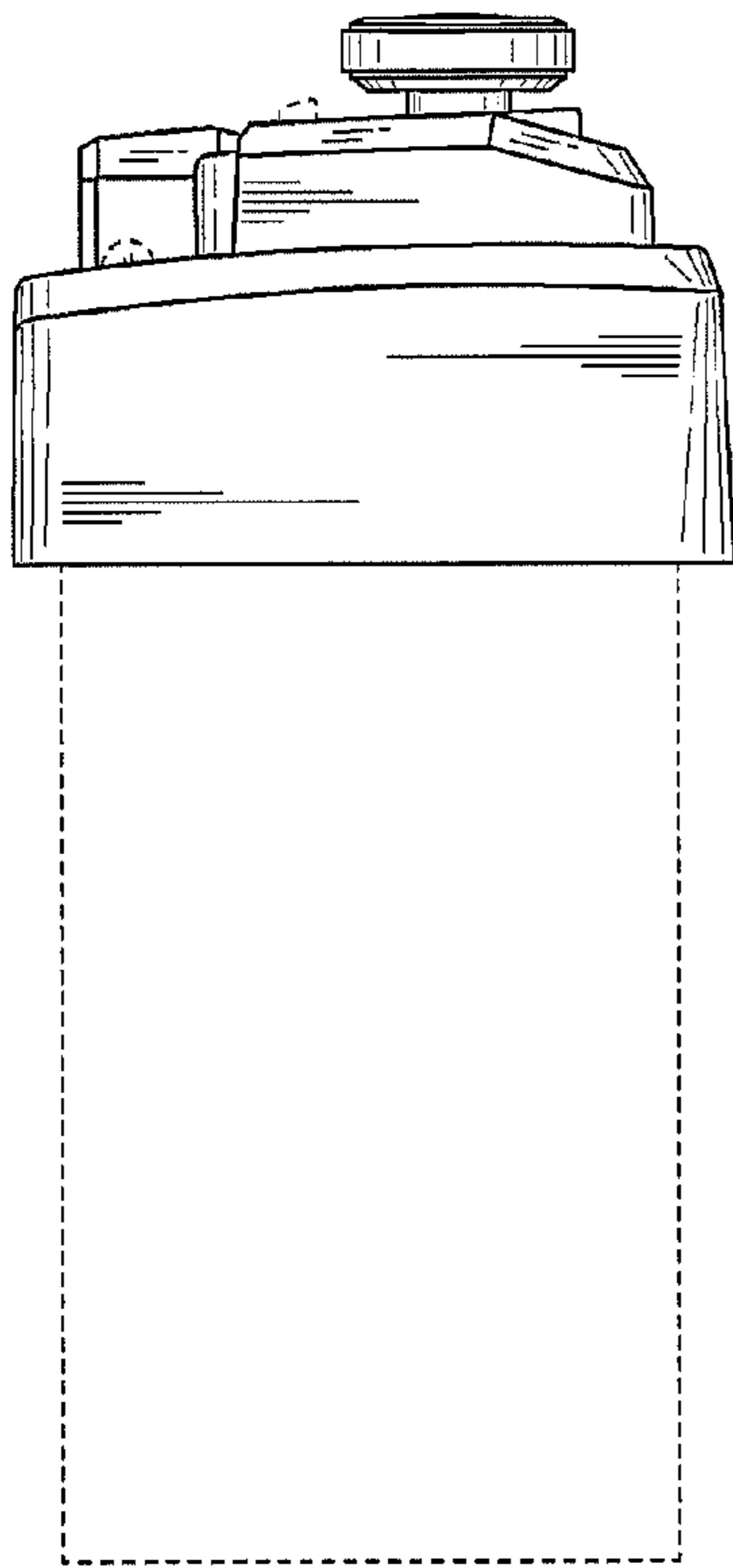


FIG. 4

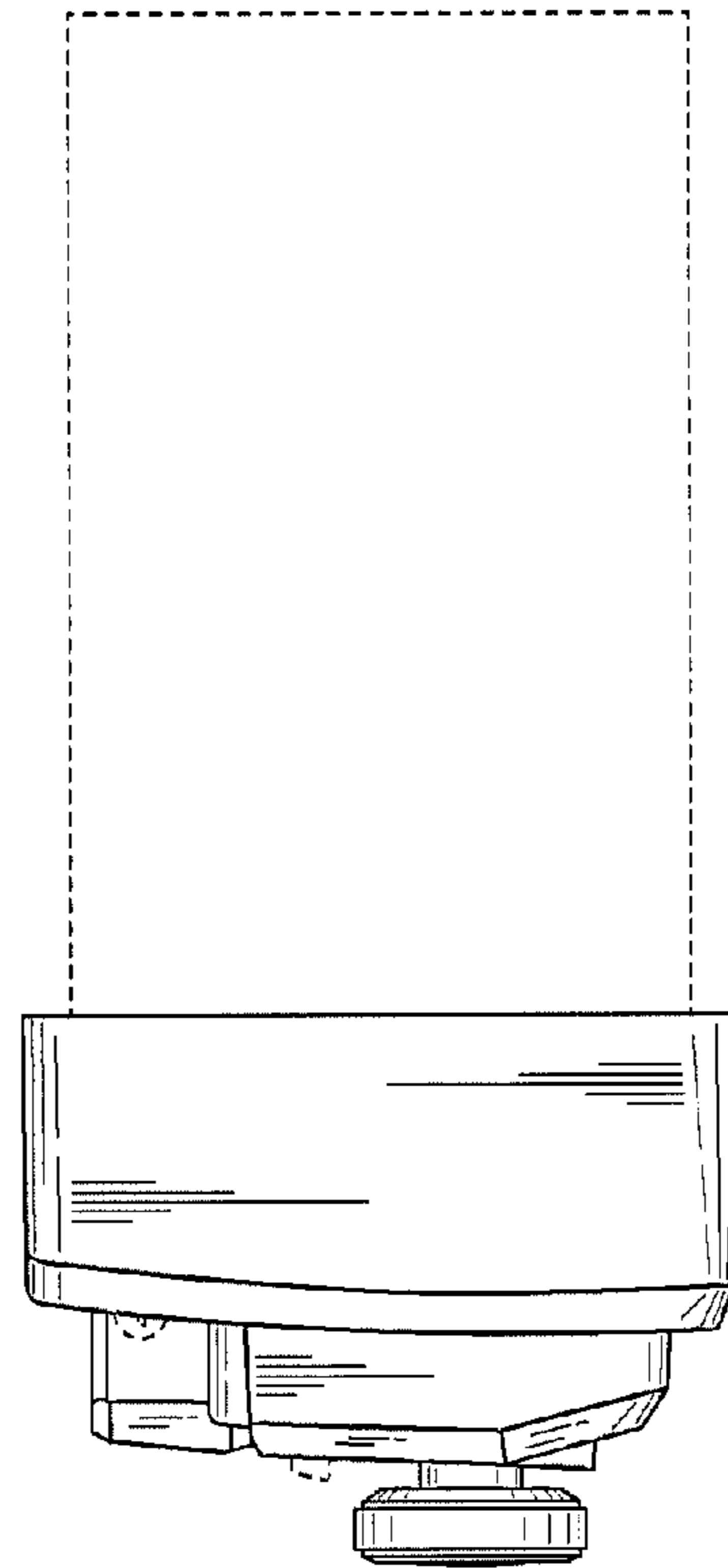


FIG. 5

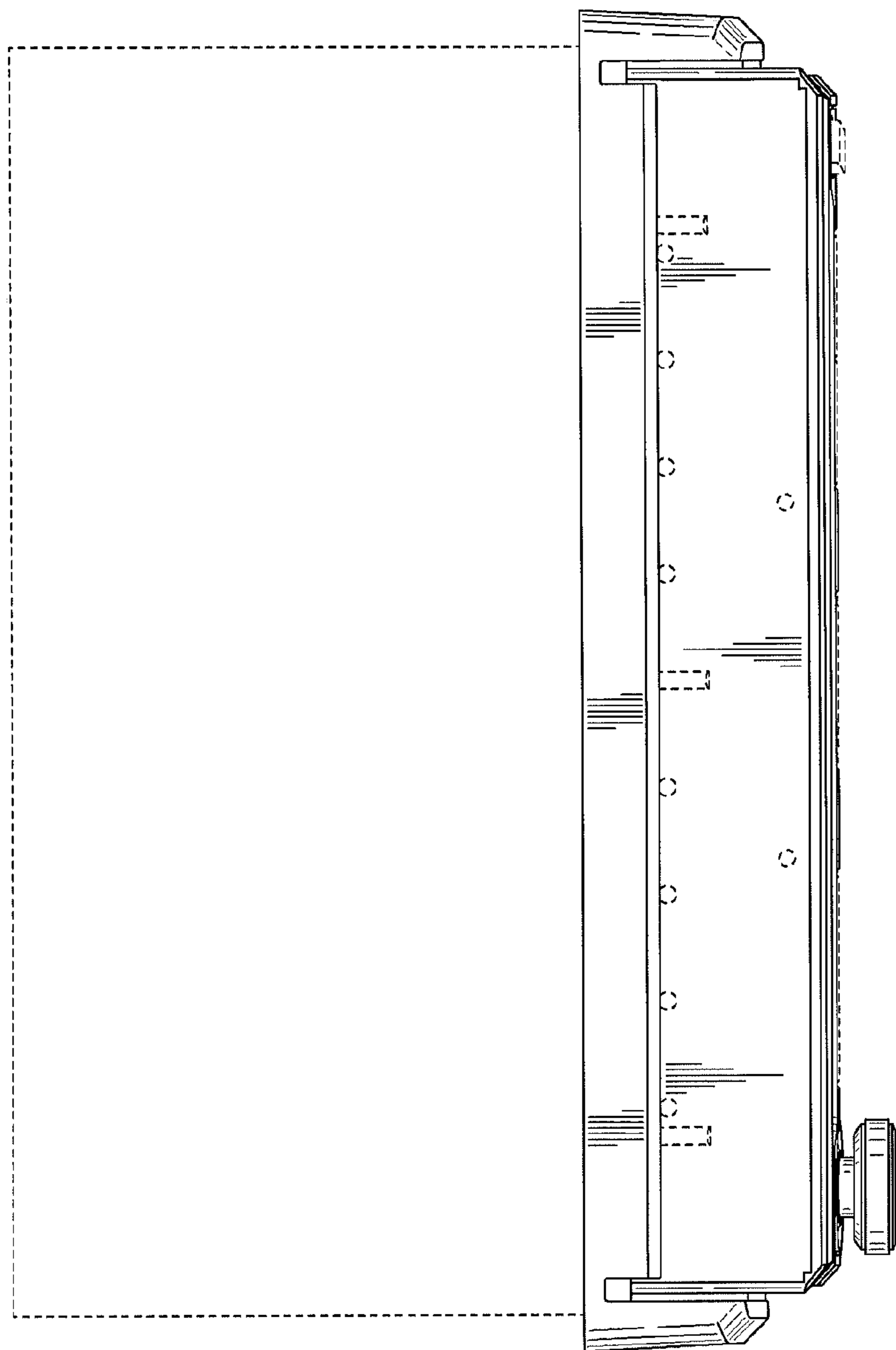


FIG. 6

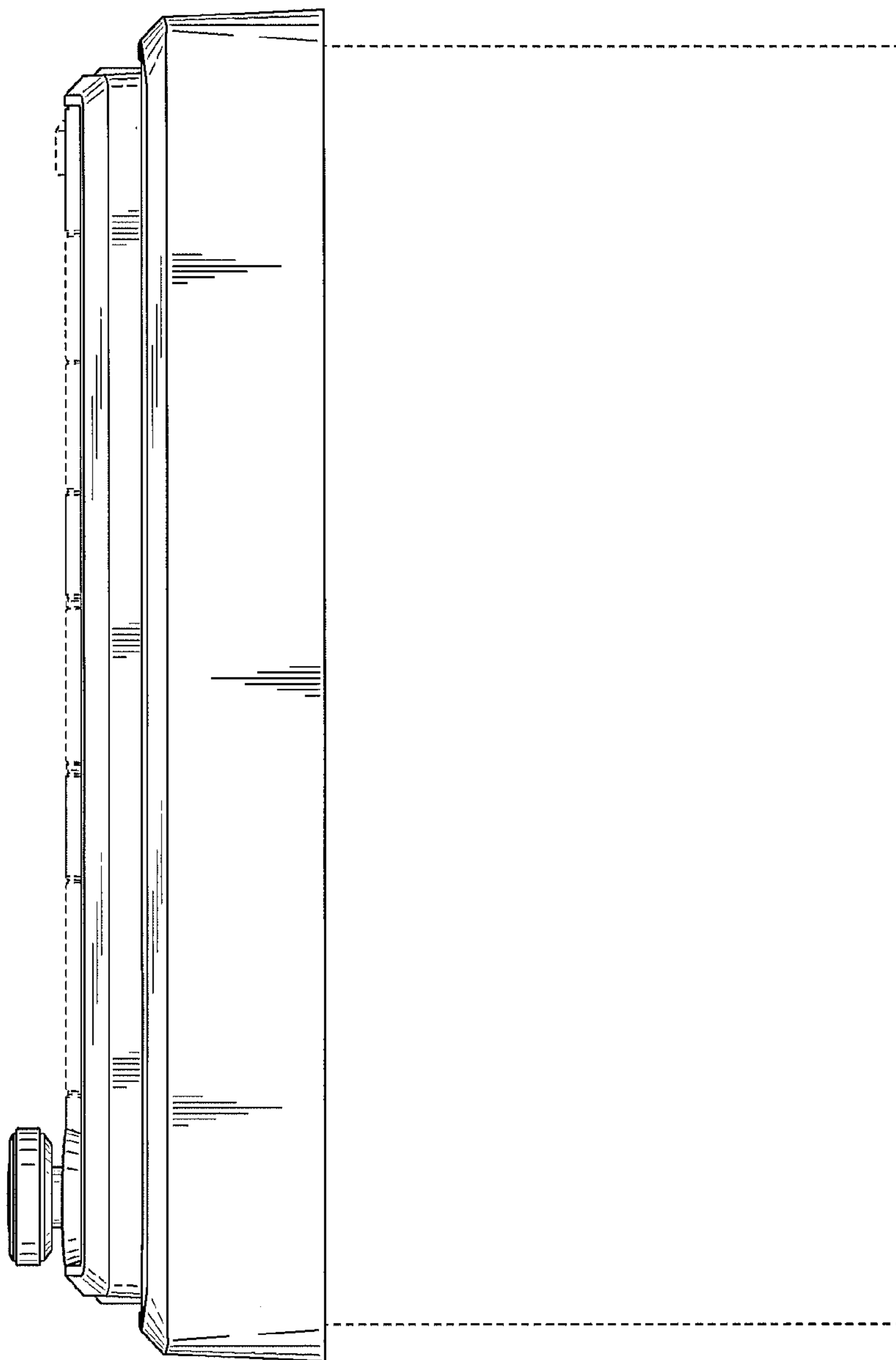


FIG. 7

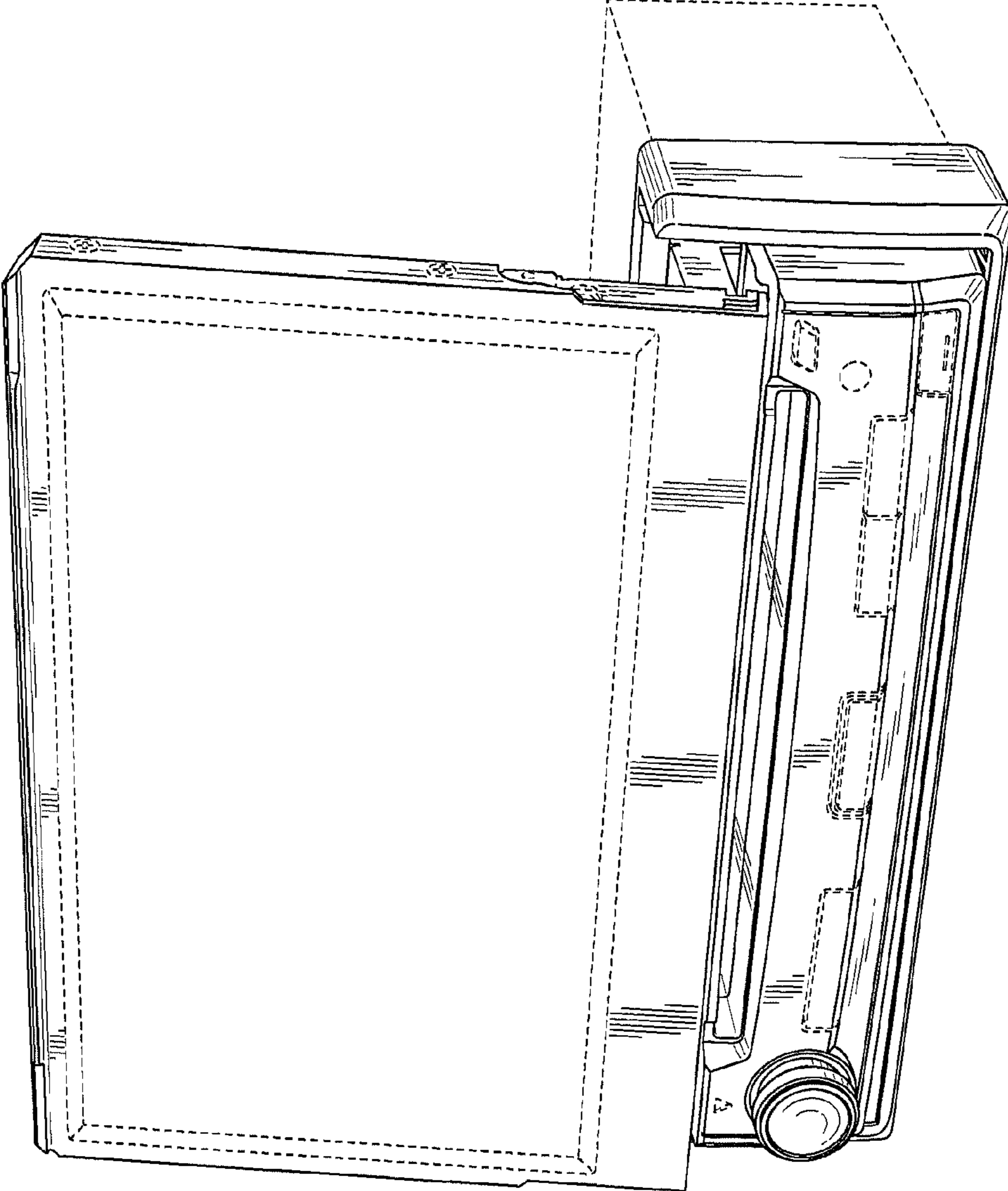


FIG. 8

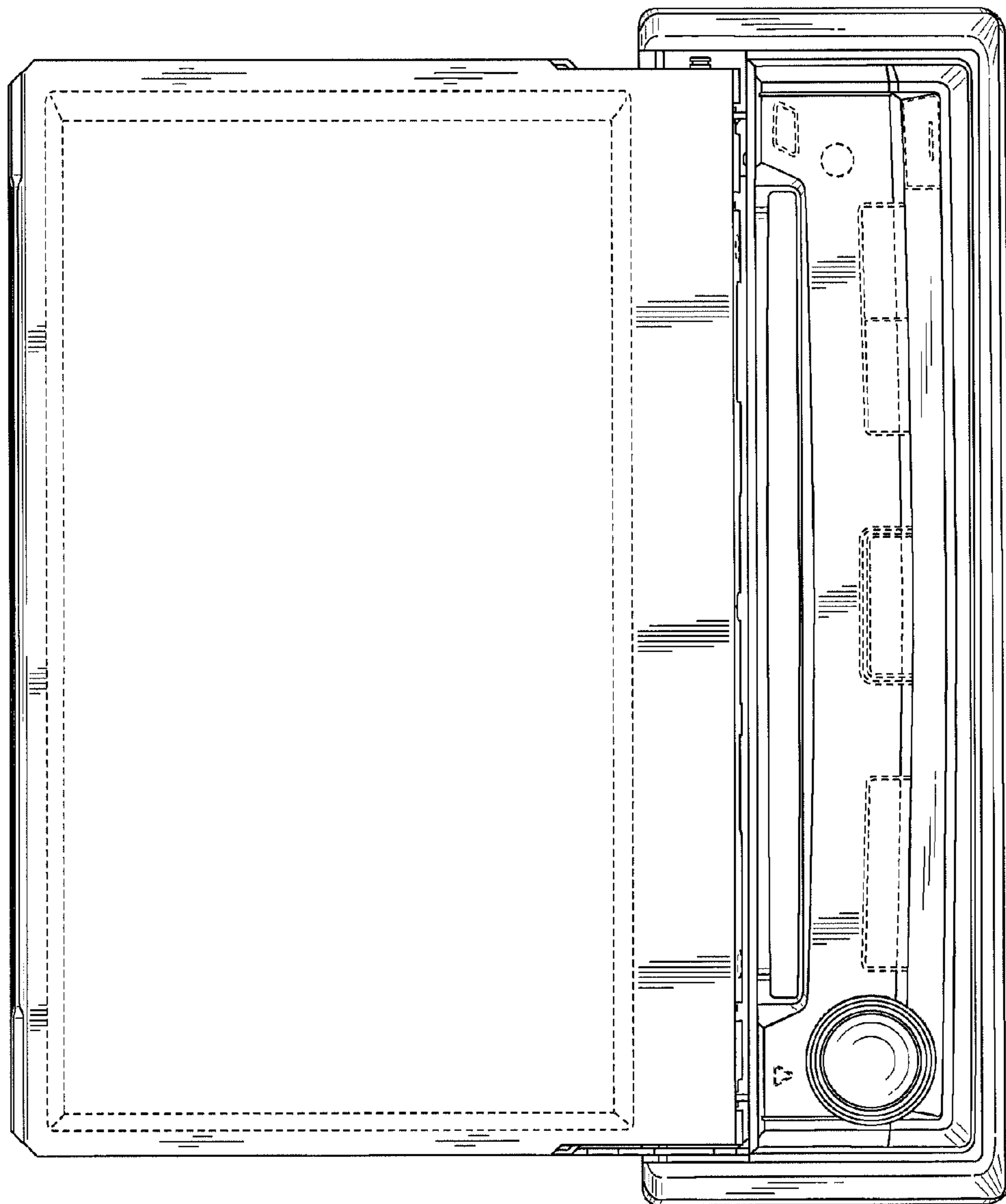


FIG. 9

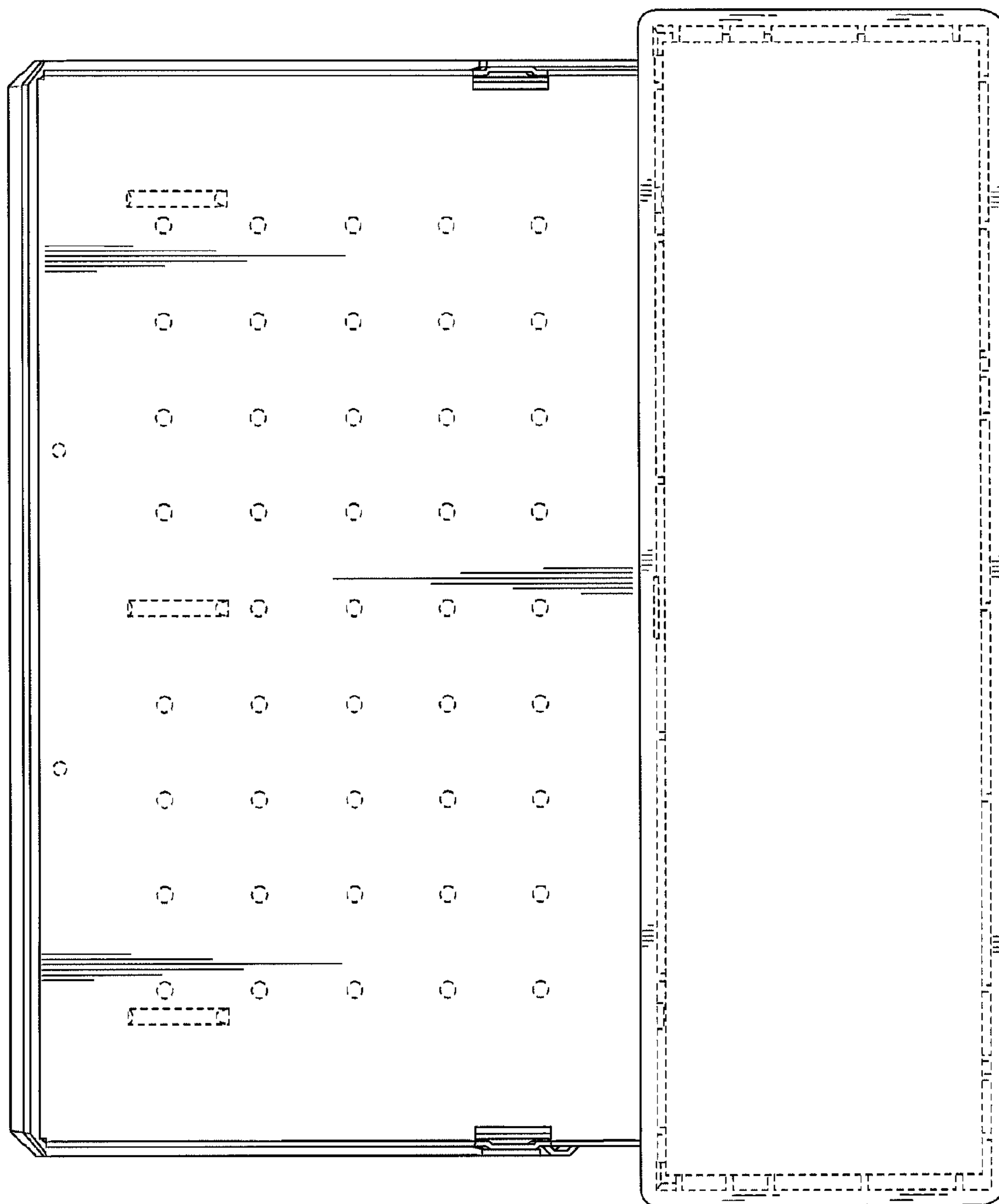


FIG. 10

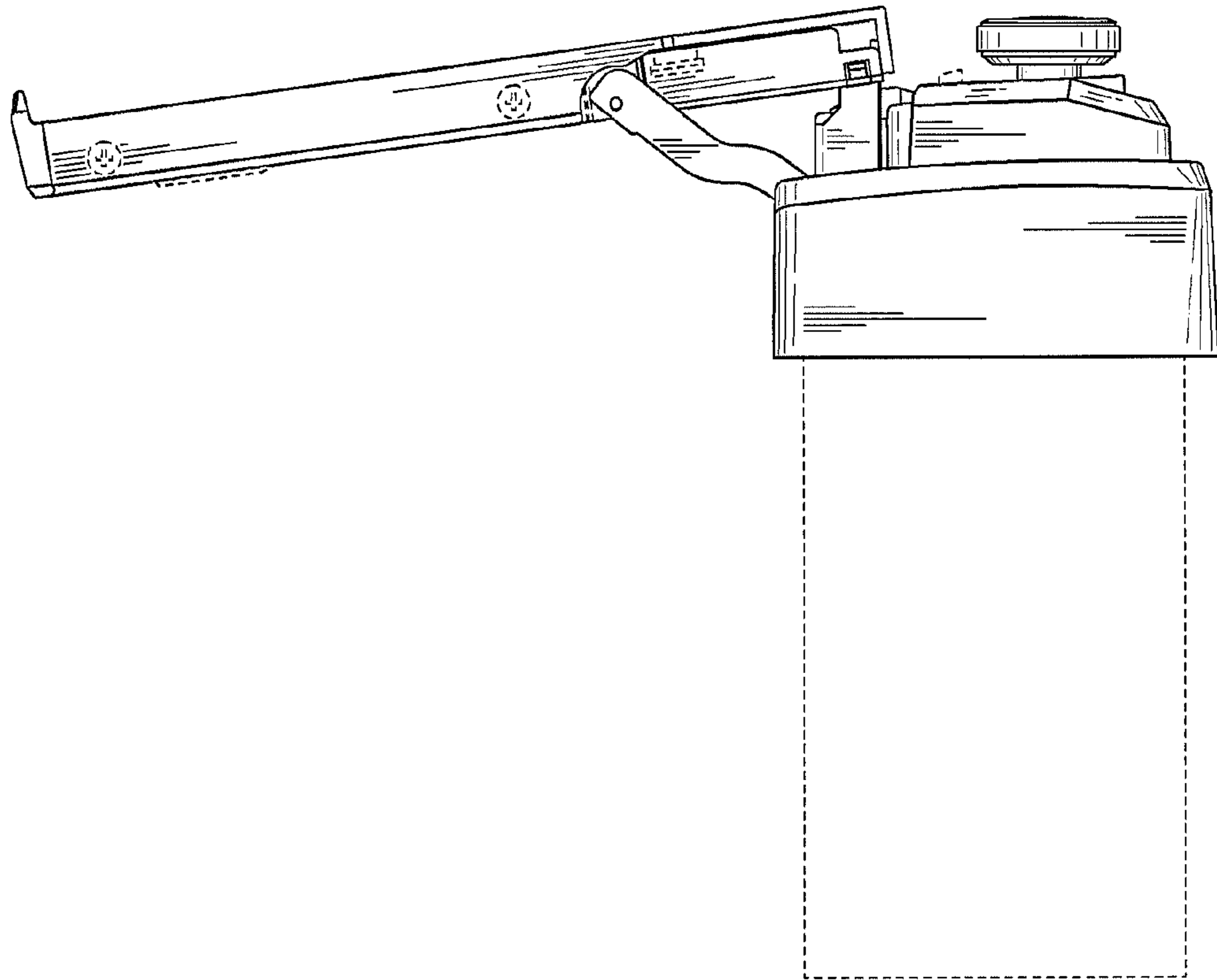


FIG. 11

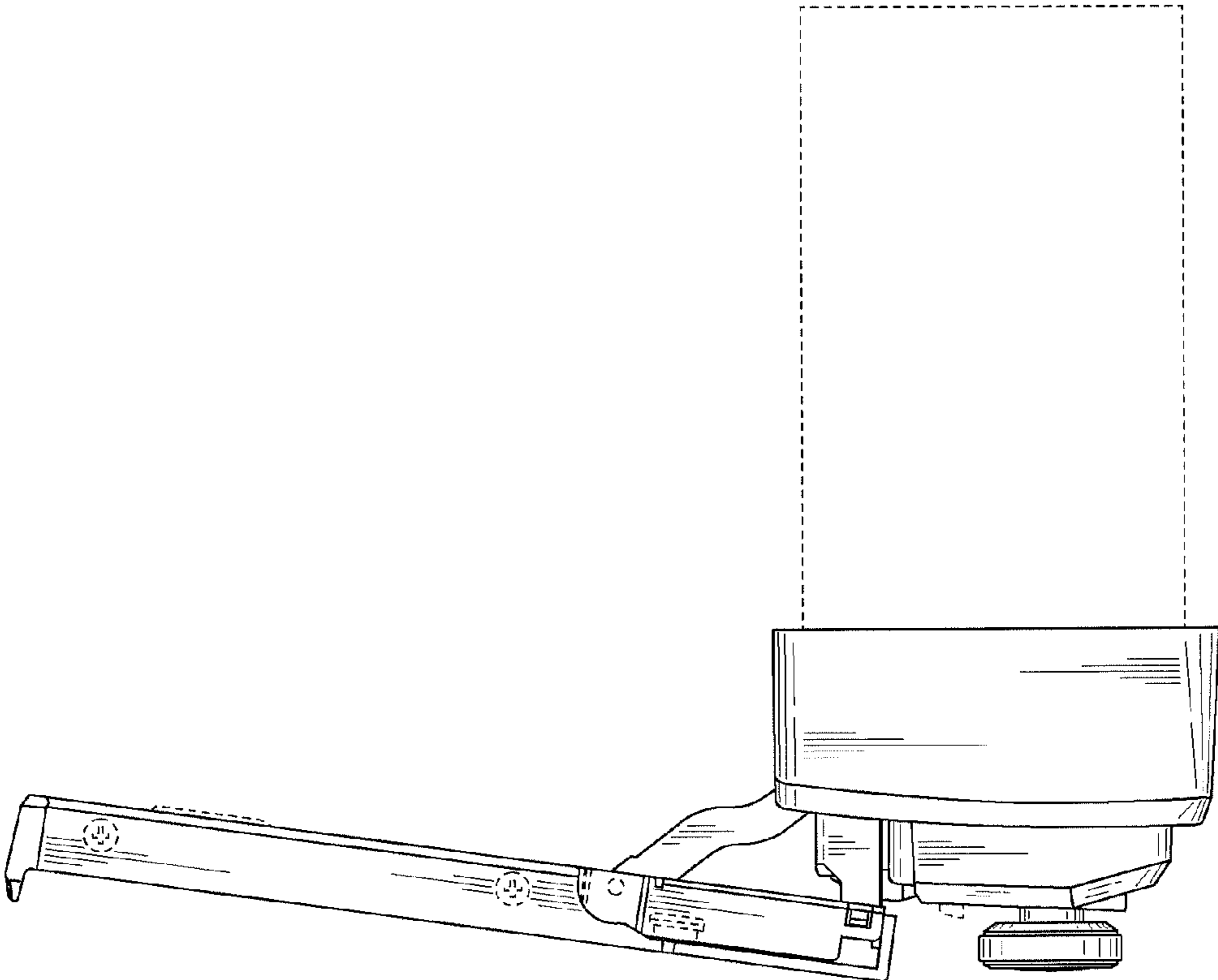


FIG. 12

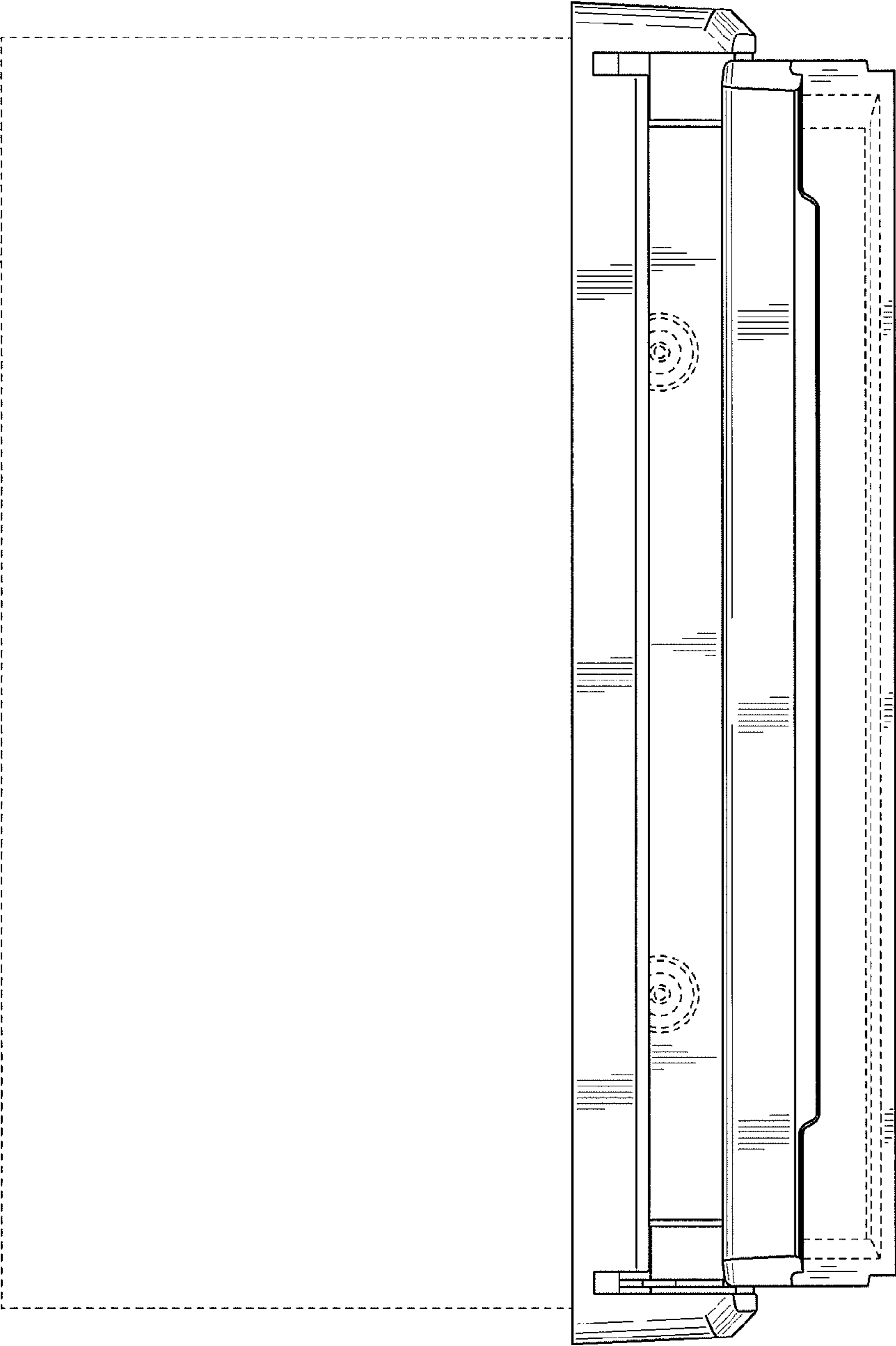


FIG. 13

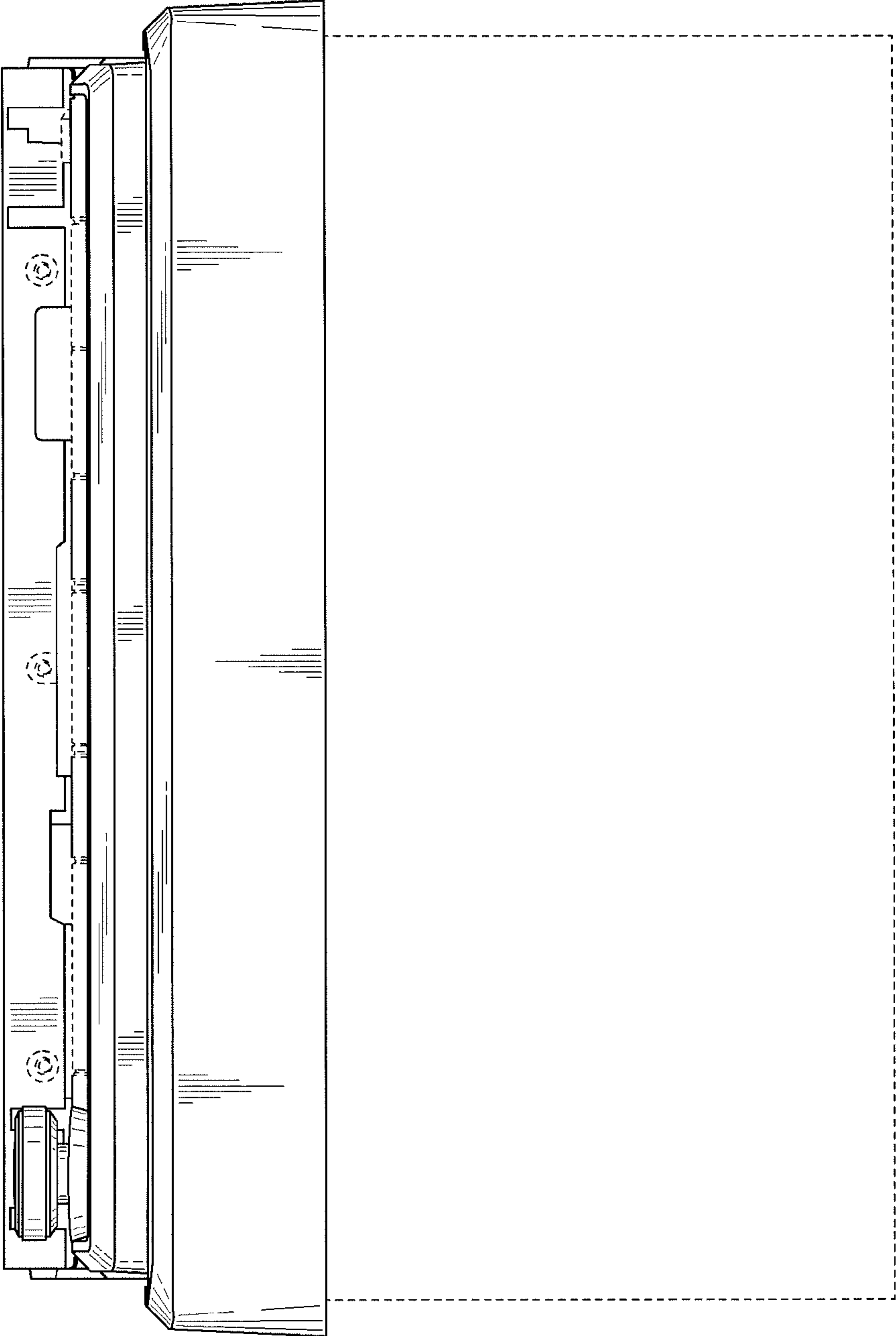


FIG. 14