

US00D726665S

(12) **United States Design Patent**
Park et al.

(10) **Patent No.:** **US D726,665 S**

(45) **Date of Patent:** **** *Apr. 14, 2015**

(54) **SET-TOP BOX**

(71) Applicant: **OpenTV, Inc.**, San Francisco, CA (US)

(72) Inventors: **Joonyoung Park**, Mountain View, CA (US); **Jihyun Park**, Mountain View, CA (US); **Kiyoung Lee**, Songnam (KR); **Haejoo Lee**, Songnam (KR)

(73) Assignee: **OpenTV, Inc.**, San Francisco, CA (US)

(*) Notice: This patent is subject to a terminal disclaimer.

(**) Term: **14 Years**

(21) Appl. No.: **29/462,079**

(22) Filed: **Jul. 30, 2013**

(51) **LOC (10) Cl.** **14-03**

(52) **U.S. Cl.**
USPC **D14/125**; D14/253

(58) **Field of Classification Search**
USPC D14/142, 149, 217, 240, 251–253, 434,
D14/447, 452, 454; D8/363, 373; D12/415;
248/206.2–206.4, 220.21, 279.1;
379/426, 446, 454, 455; D13/107–108;
D16/242

See application file for complete search history.

(56) **References Cited**

U.S. PATENT DOCUMENTS

D574,850 S * 8/2008 Zimman et al. D14/496
D579,917 S * 11/2008 Marchand et al. D14/217

D646,268 S * 10/2011 DeLorenzo et al. D14/253
D647,520 S * 10/2011 Wikel D14/253
D648,707 S * 11/2011 Akana et al. D14/217
D649,137 S * 11/2011 DeVesto D14/217
D660,809 S * 5/2012 Kern Koskela et al. D13/168
D662,492 S * 6/2012 Akana et al. D14/217
D665,810 S * 8/2012 Jones et al. D14/440

* cited by examiner

Primary Examiner — Randall Gholson

(74) *Attorney, Agent, or Firm* — Dickinson Wright PLLC

(57) **CLAIM**

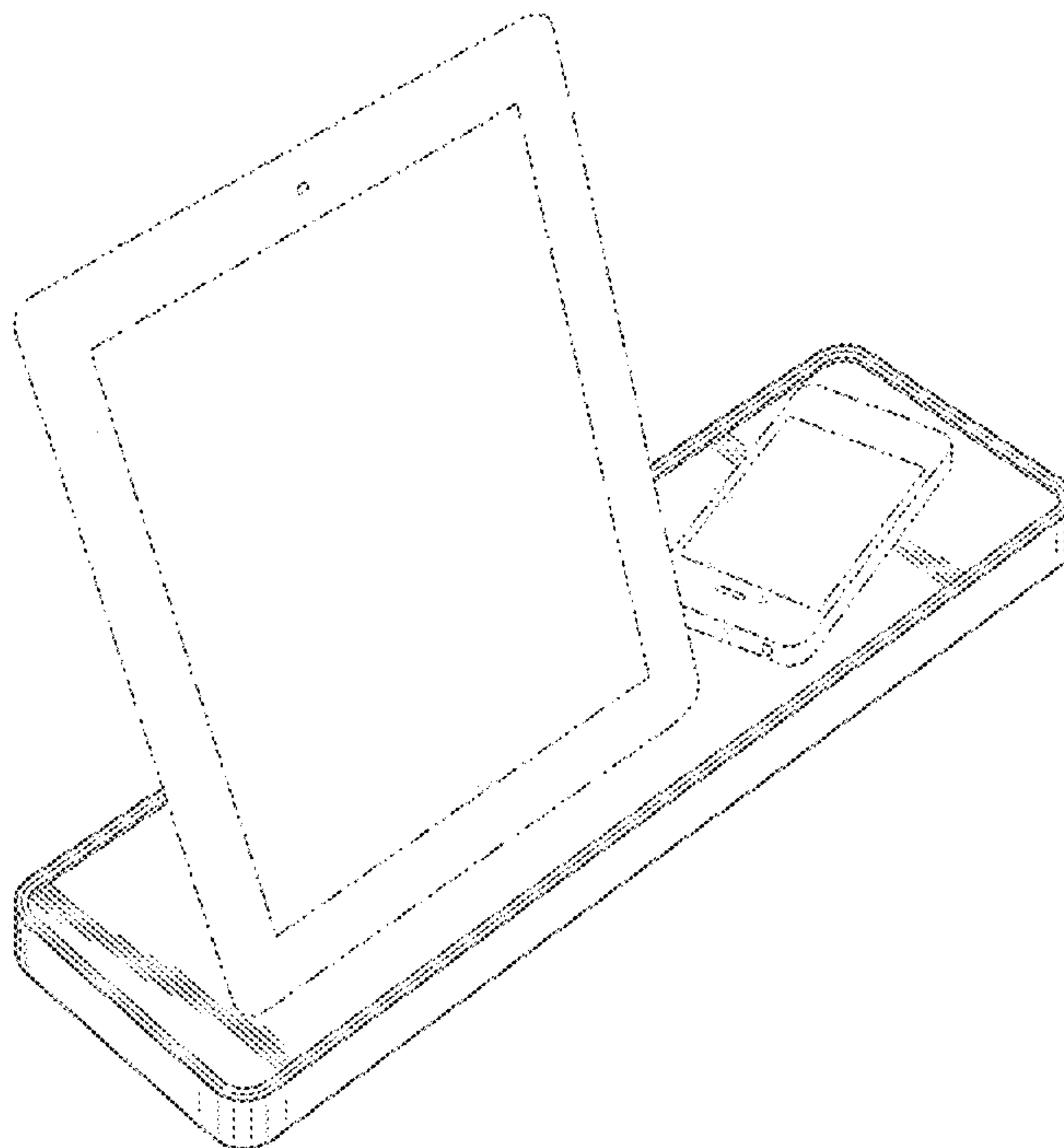
The ornamental design for a set-top box, as shown and described.

DESCRIPTION

FIG. 1 is a perspective view of a set-top box according to an aspect of the disclosure;
FIG. 2 is a front view of a set-top box according to an aspect of the disclosure;
FIG. 3 is a top view of a set-top box according to an aspect of the disclosure;
FIG. 4 is a rear view of a set-top box according to an aspect of the disclosure;
FIG. 5 is a side view of a set-top box according to an aspect of the disclosure; and,
FIG. 6 is another side view of a set-top box according to an aspect of the disclosure.

The broken phantom lines depict unclaimed subject matter only and form no part of the claimed design. The bottom view forms no part of the claimed design.

1 Claim, 2 Drawing Sheets



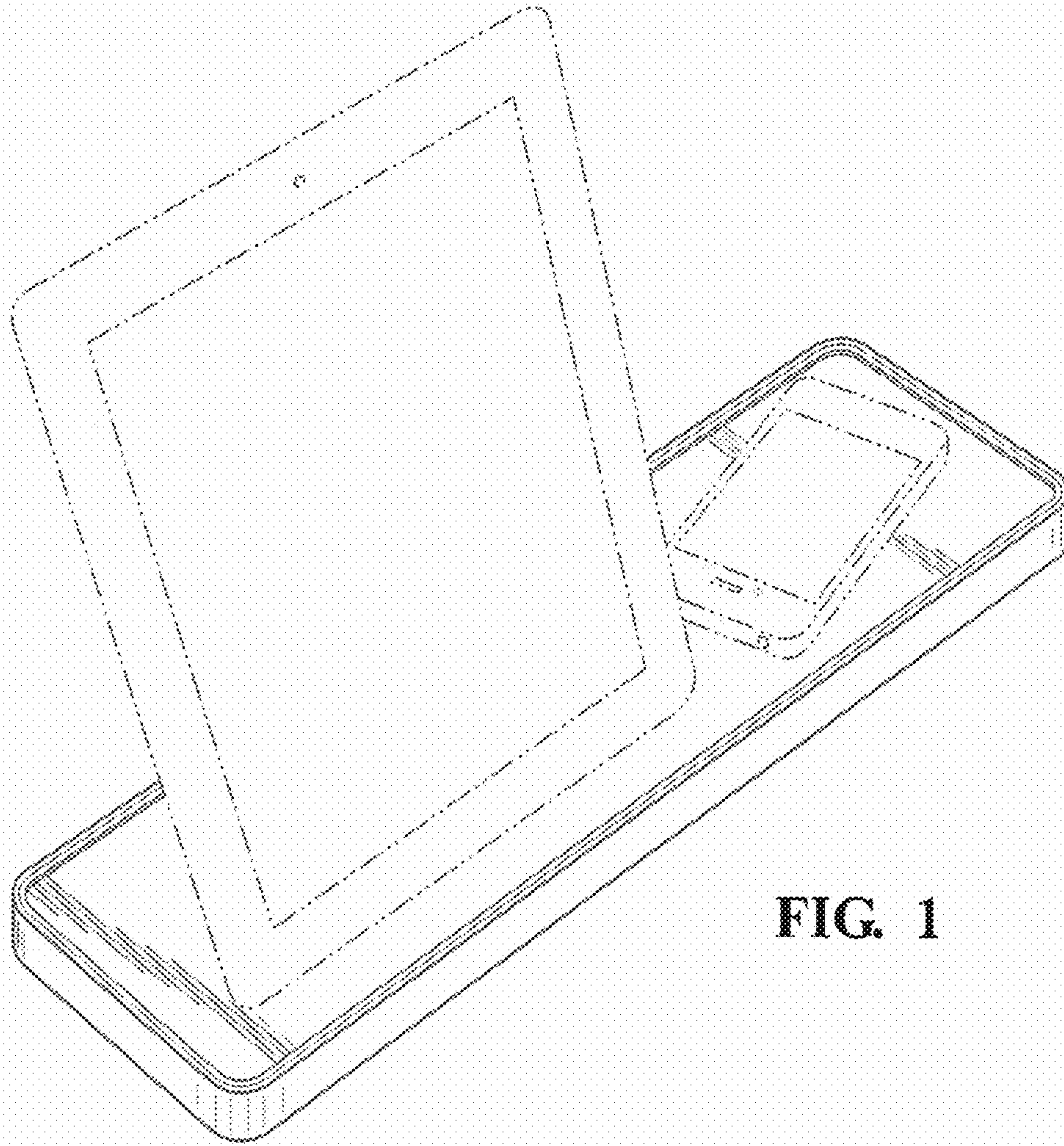


FIG. 1



FIG. 2

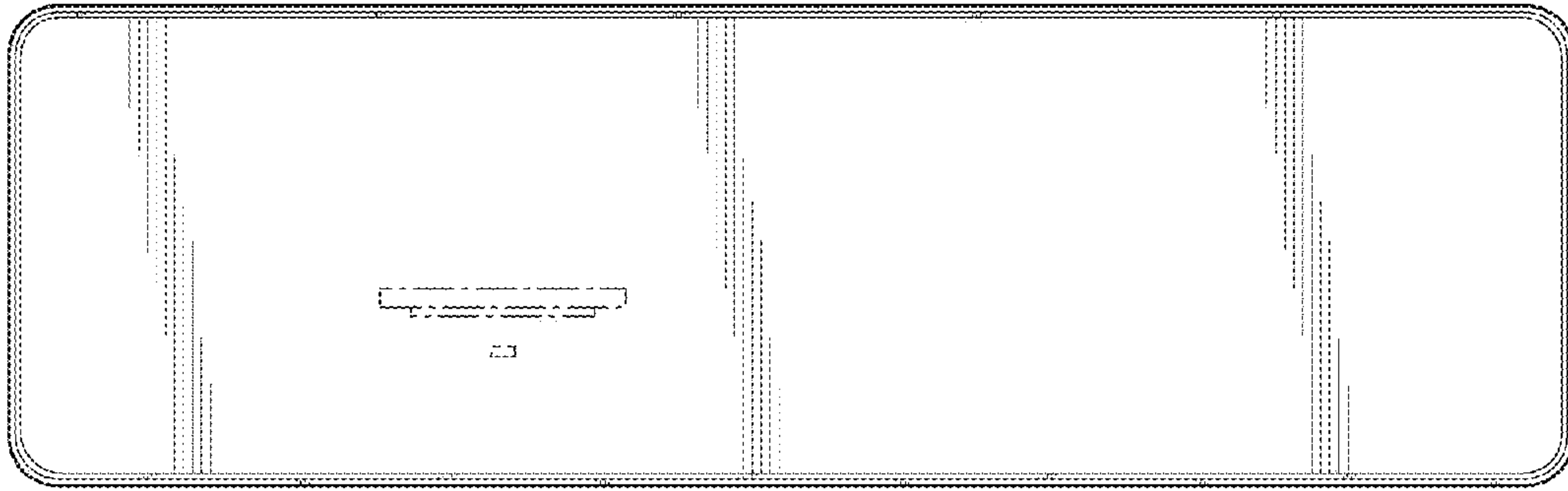


FIG. 3

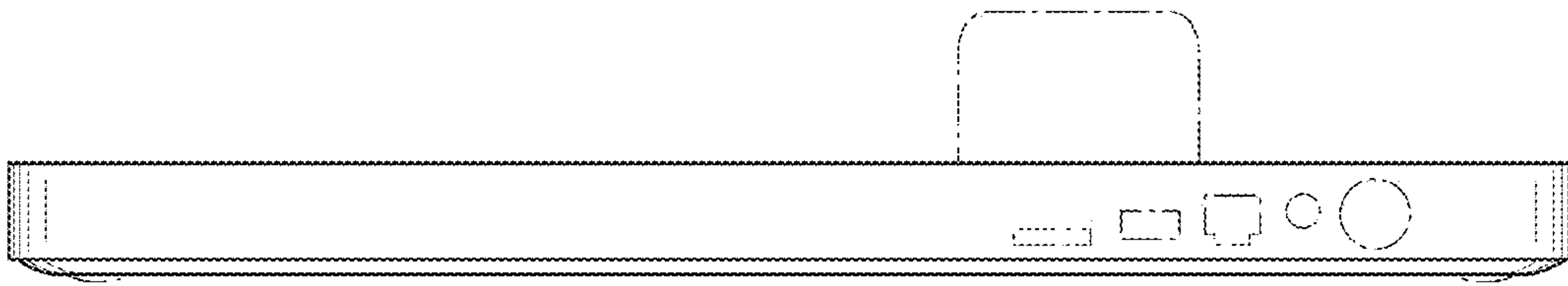


FIG. 4

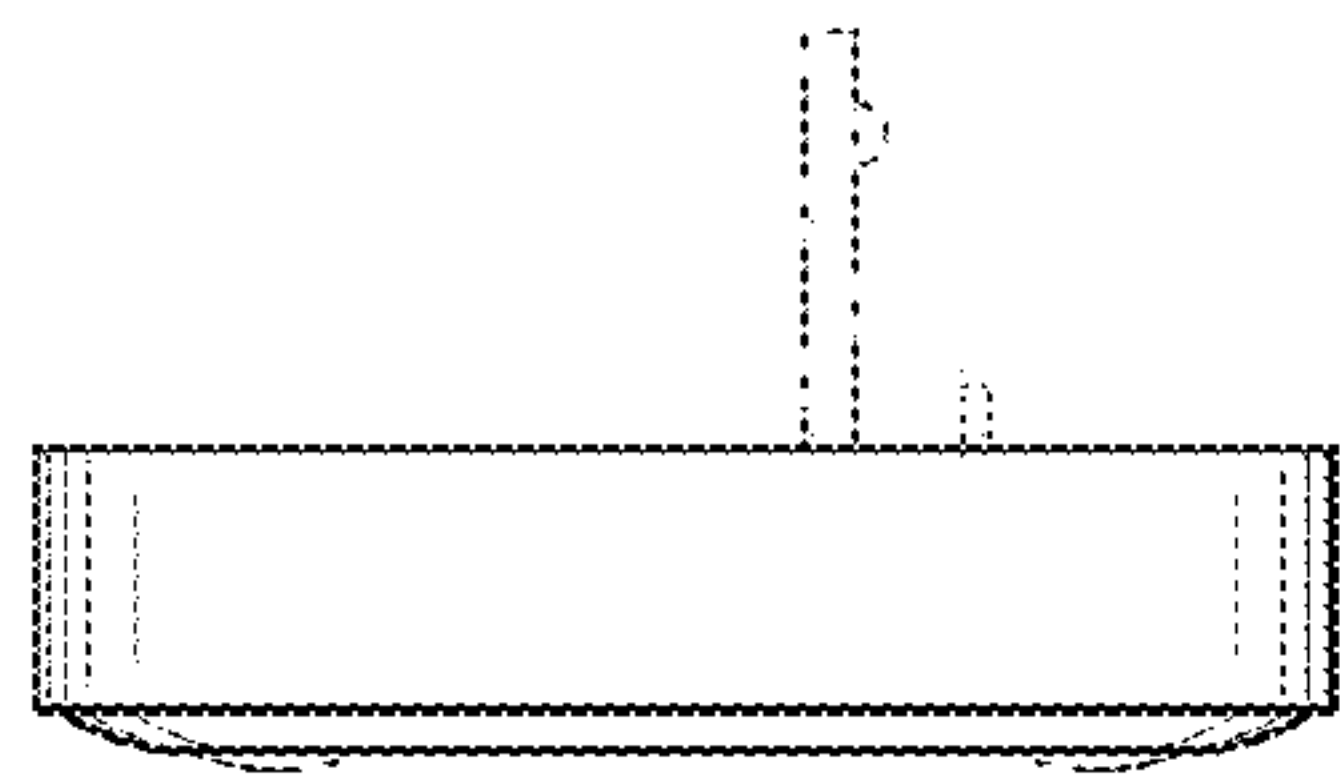


FIG. 5

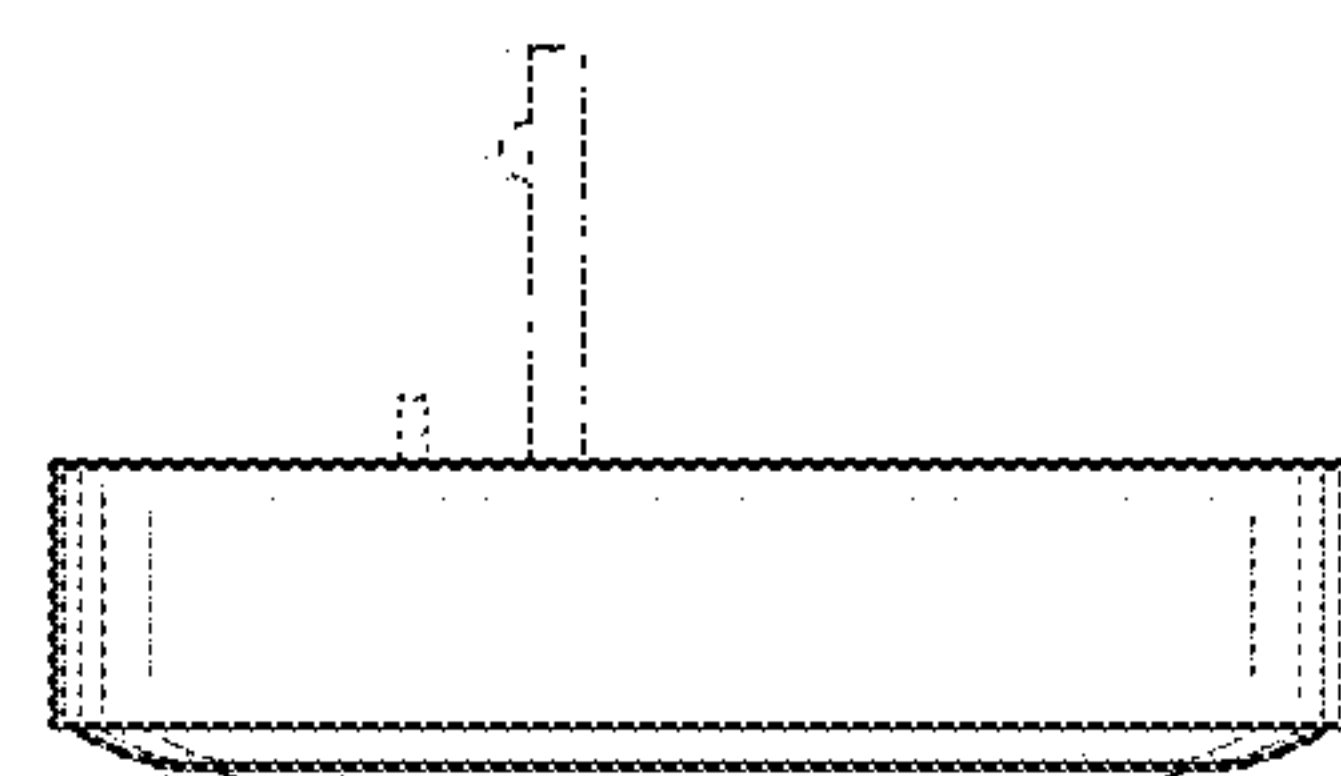


FIG. 6