

US00D726664S

(12) **United States Design Patent**
McCullar et al.

(10) **Patent No.:** **US D726,664 S**

(45) **Date of Patent:** **** *Apr. 14, 2015**

(54) **CONTROLLER**

4,403,214 A 9/1983 Wolar
4,833,377 A 5/1989 Volk, Sr. et al.
5,134,731 A 8/1992 Quintile et al.

(71) Applicant: **Invacare Corporation**, Elyria, OH (US)

(Continued)

(72) Inventors: **Ricky J. McCullar**, Olmsted Township, OH (US); **Michael Sedlak**, Westlake, OH (US); **Kristie L. Jarrett**, Wakeman, OH (US); **Michael Romano**, Lakewood, OH (US)

FOREIGN PATENT DOCUMENTS

JP 61115508 6/1986
JP 61115509 6/1986

(Continued)

(73) Assignee: **Invacare Corporation**, Elyria, OH (US)

OTHER PUBLICATIONS

(*) Notice: This patent is subject to a terminal disclaimer.

Invacare Corporation, Parts Catalog for Homecare Beds (Manual, Seml-Electric, Full Electric), CareGuard by Invacare Bariatric Bed (Full Electric) issued Feb. 11, 2010, 76 pgs.

(**) Term: **14 Years**

(Continued)

(21) Appl. No.: **29/448,921**

Primary Examiner — Selina Sikder

(22) Filed: **Mar. 14, 2013**

(74) *Attorney, Agent, or Firm* — Calfee, Halter & Griswold LLP

(51) **LOC (10) Cl.** **14-03**

(52) **U.S. Cl.**
USPC **D13/168**

(57) **CLAIM**

We claim the ornamental design for a controller, as shown and described.

(58) **Field of Classification Search**

DESCRIPTION

USPC D13/168; D10/104.1, 106.1; D14/218;
D24/200, 215; 318/16; 340/4.3, 4.42,
340/12.22, 12.23, 12.24, 12.29, 12.3, 13.2,
340/13.21, 13.24; 341/176; 601/1, 72;
700/17, 65, 83

FIG. 1 is a front perspective view of a controller of the new design;
FIG. 2 is a front elevational view of the controller of FIG. 1;
FIG. 3 is a right side elevational view of the controller of FIG. 1;
FIG. 4 is a bottom plan view of the controller of FIG. 1;
FIG. 5 is a top plan view of the controller of FIG. 1;
FIG. 6 is a left side elevational view of the controller of FIG. 1; and,
FIG. 7 is a rear elevational view of the controller of FIG. 1.
The portions of the Figures shown in broken lines are for illustrative purpose only and form no part of the claimed design.

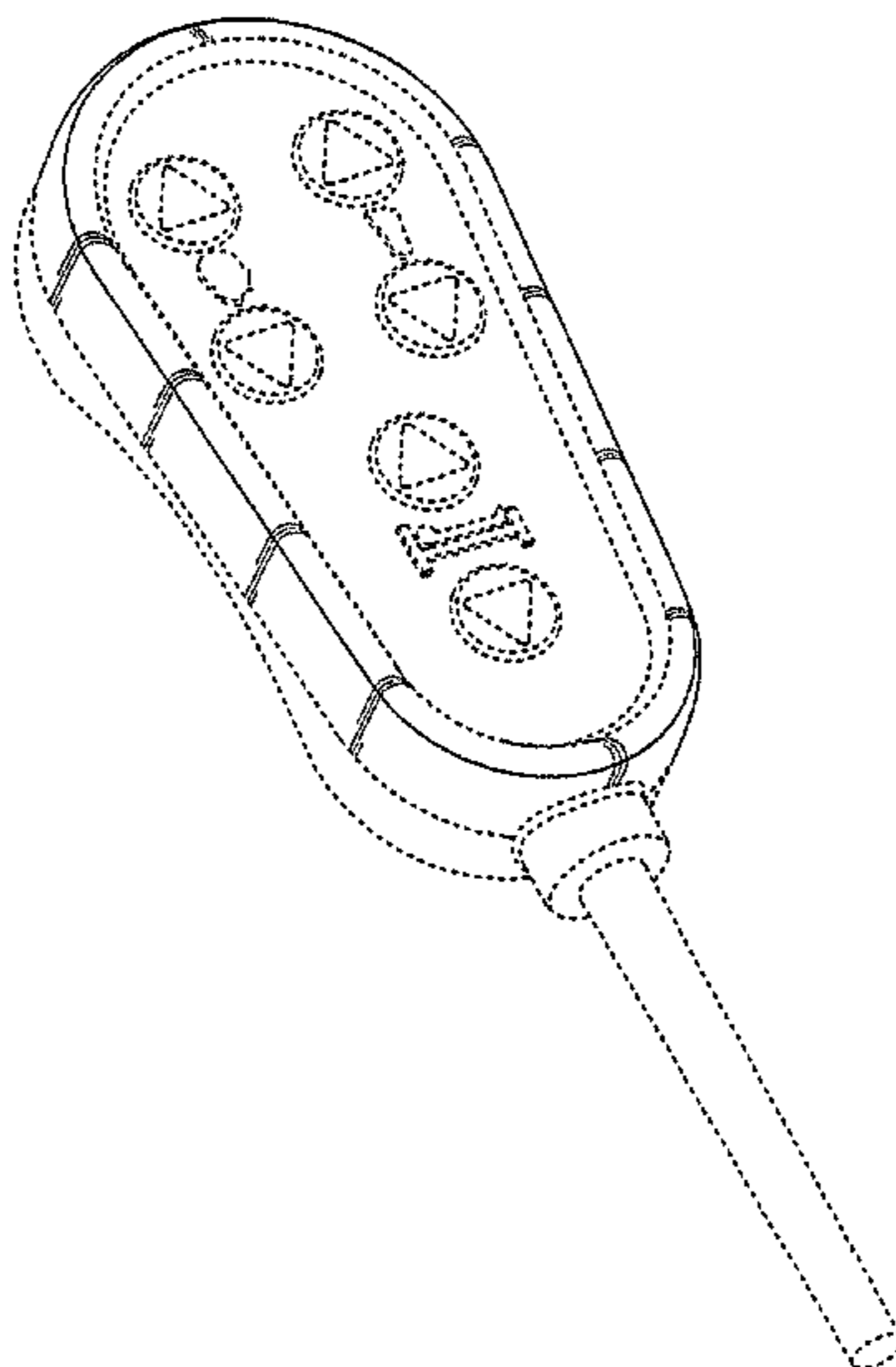
See application file for complete search history.

(56) **References Cited**

U.S. PATENT DOCUMENTS

3,459,017 A 8/1969 Sivertsen
3,778,769 A 12/1973 Hong et al.
3,781,927 A 1/1974 Zakaras
3,913,153 A 10/1975 Adams et al.
3,921,048 A 11/1975 Padgitt
4,044,286 A 8/1977 Adams et al.
4,325,061 A 4/1982 Wolar

1 Claim, 4 Drawing Sheets



(56)

References Cited

U.S. PATENT DOCUMENTS

5,138,953 A 8/1992 Horcher et al.
 D338,102 S 8/1993 McGuire et al.
 5,398,149 A 3/1995 Weil
 D362,660 S 9/1995 Fromson
 D363,550 S * 10/1995 Teo et al. D24/200
 5,600,214 A * 2/1997 Fromson 318/120
 D381,662 S 7/1997 Weissberg et al.
 D385,695 S 11/1997 MacDonald
 5,685,185 A 11/1997 MacDonald
 5,704,249 A 1/1998 Krauska
 5,802,639 A 9/1998 Raasch et al.
 6,008,598 A * 12/1999 Luff et al. 318/16
 D435,580 S 12/2000 Grinkus
 D441,185 S 5/2001 Shimizu et al.
 D443,596 S * 6/2001 Ohkuma D13/168
 6,351,678 B1 * 2/2002 Borders 700/83
 D459,314 S 6/2002 Flick
 D475,026 S 5/2003 Buczek et al.
 D483,281 S 12/2003 Cobigo
 D484,820 S 1/2004 Hohn
 6,693,552 B1 * 2/2004 Herzig et al. 340/13.32
 D508,862 S 8/2005 Behar et al.
 D510,536 S * 10/2005 Li D10/106.1
 D513,236 S 12/2005 Hunt et al.
 6,983,495 B2 1/2006 Snyder et al.
 6,997,082 B2 2/2006 Snyder et al.
 7,040,637 B2 5/2006 Owens
 D527,666 S 9/2006 Tal et al.
 7,142,256 B2 * 11/2006 Stoner et al. 348/734
 7,185,377 B2 3/2007 Roussy
 D548,728 S 8/2007 Yoshiyama
 7,302,716 B2 12/2007 Snyder et al.
 D563,907 S * 3/2008 Badarello D13/168
 7,441,289 B2 10/2008 Loewenthal
 D593,527 S 6/2009 Wang et al.
 D595,667 S * 7/2009 Lasky et al. D13/168
 D595,668 S 7/2009 Lasky et al.
 D600,654 S * 9/2009 Liao D13/168

7,604,176 B2 10/2009 Bates et al.
 D604,039 S 11/2009 Fleming
 D609,000 S 2/2010 Portney
 7,669,261 B2 * 3/2010 Fruh et al. 5/616
 D622,685 S 8/2010 Garra et al.
 7,884,703 B2 * 2/2011 Sowada et al. 340/286.07
 D649,532 S 11/2011 Tran et al.
 8,065,051 B2 11/2011 Chopcinski et al.
 D656,104 S * 3/2012 Cook D13/168
 D656,105 S * 3/2012 Cook D13/168
 D666,161 S * 8/2012 Zhu et al. D13/168
 D667,382 S 9/2012 Cosentino et al.
 D672,727 S 12/2012 McCullar et al.
 D678,849 S * 3/2013 McCullar et al. D13/168
 D687,392 S * 8/2013 McCullar et al. D13/168
 2008/0262657 A1 10/2008 McCullar et al.
 2009/0050451 A1 2/2009 Sorensen et al.

FOREIGN PATENT DOCUMENTS

WO 96/29970 10/1996
 WO 2007/006314 1/2007

OTHER PUBLICATIONS

Invacare Corporation, Owner's Operator and Maintenance Manual, IVC Bed Series, Full Electric Beds, Semi-Electric Beds, Manual Beds, Revised Feb. 11, 2009, copyright 2010, 40 pgs.
 Invacare Corporation, Invacare Home Care Beds and Bed-Related Products brochure, 12 pgs., copyright 2007.
 Office action from U.S. Appl. No. 29/365,490 dated Jul. 12, 2012.
 Response from U.S. Appl. No. 29/365,490 dated Jul. 18, 2012.
 Notice of Allowance from U.S. Appl. No. 29/365,490, dated Aug. 2, 2012.
 Notice of Allowance from U.S. Appl. No. 29/420,416, dated Nov. 15, 2012.
 Comfort Plus—Adjustable Bed Systems; Owner's Operating, Maintenance and Instruction Manual; Form No. 91-37 (Revised Jan. 1992); 16 pages.

* cited by examiner

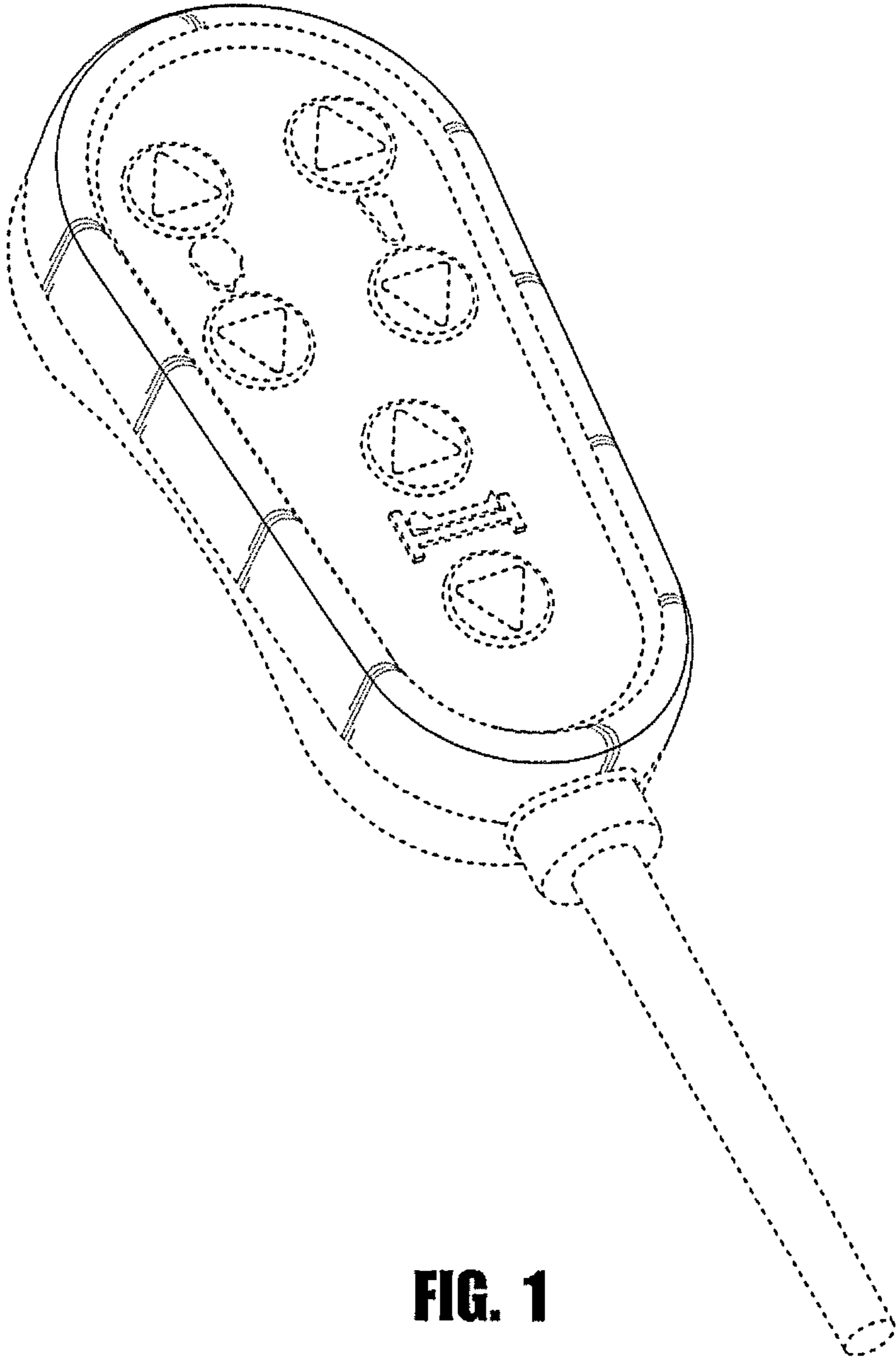


FIG. 1

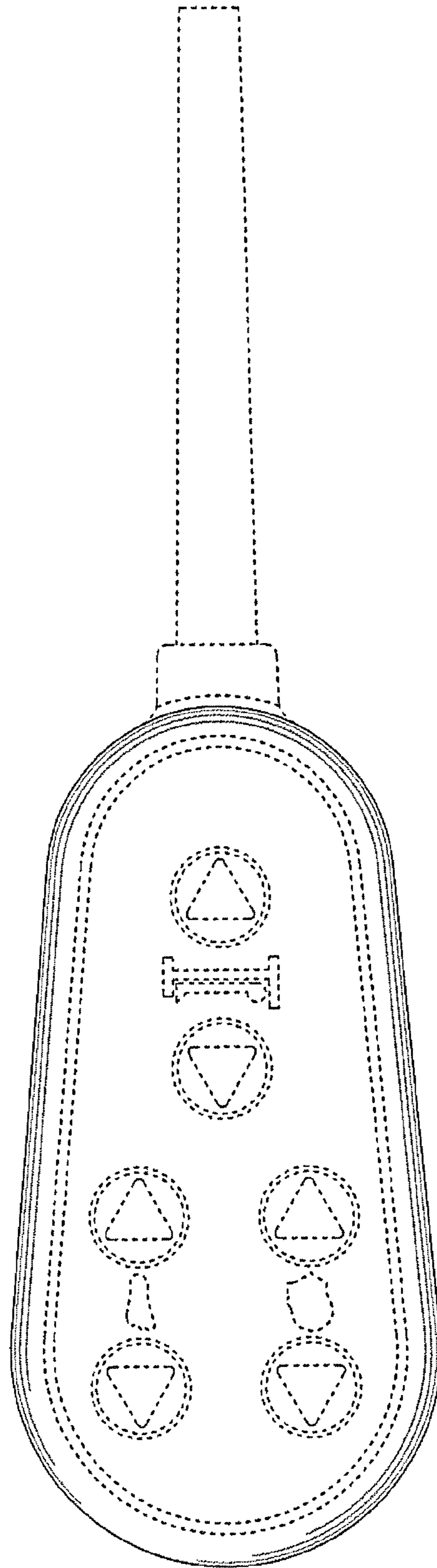


FIG. 2

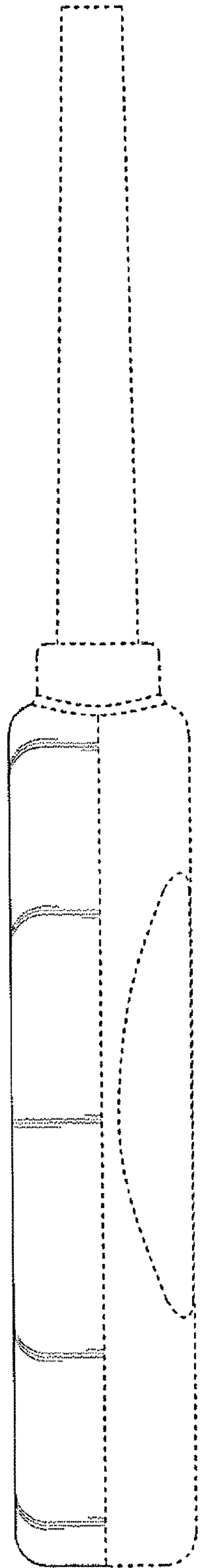


FIG. 3

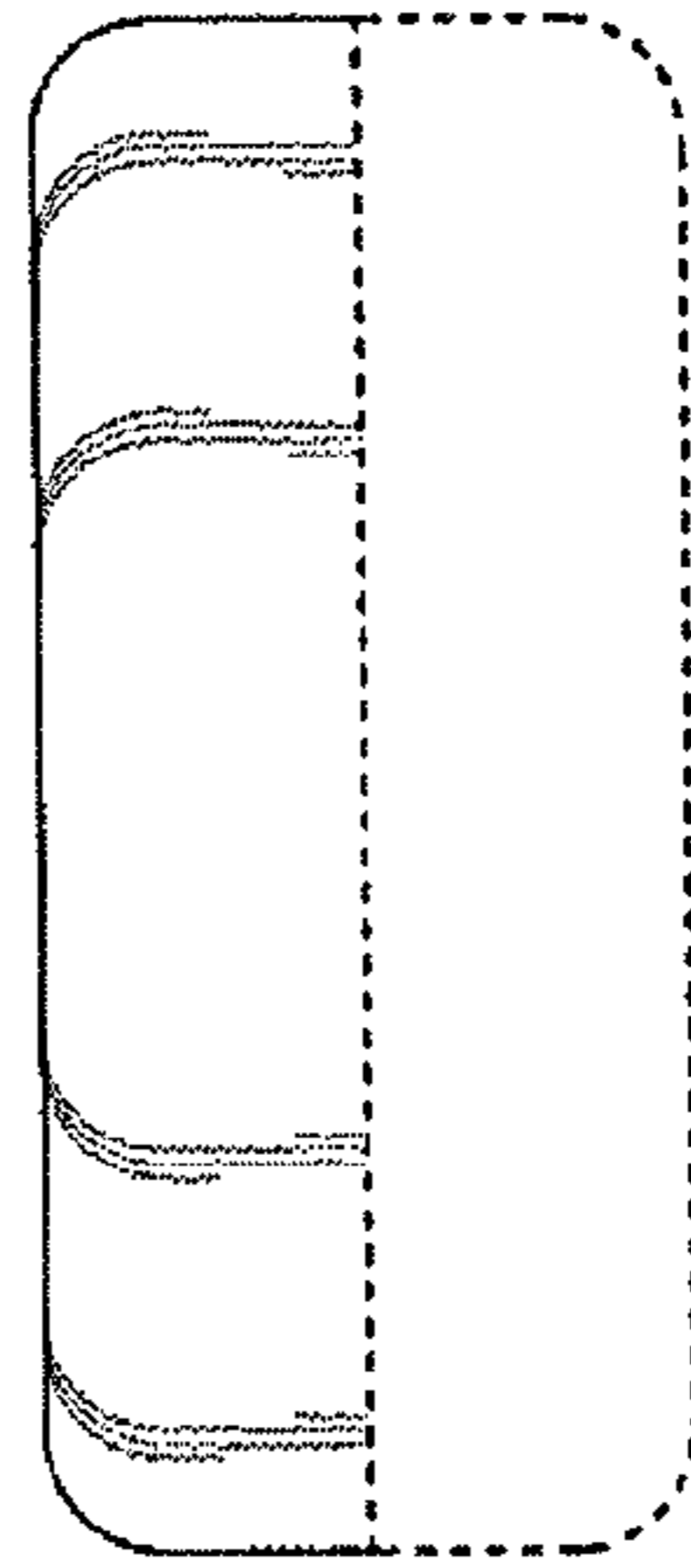


FIG. 4

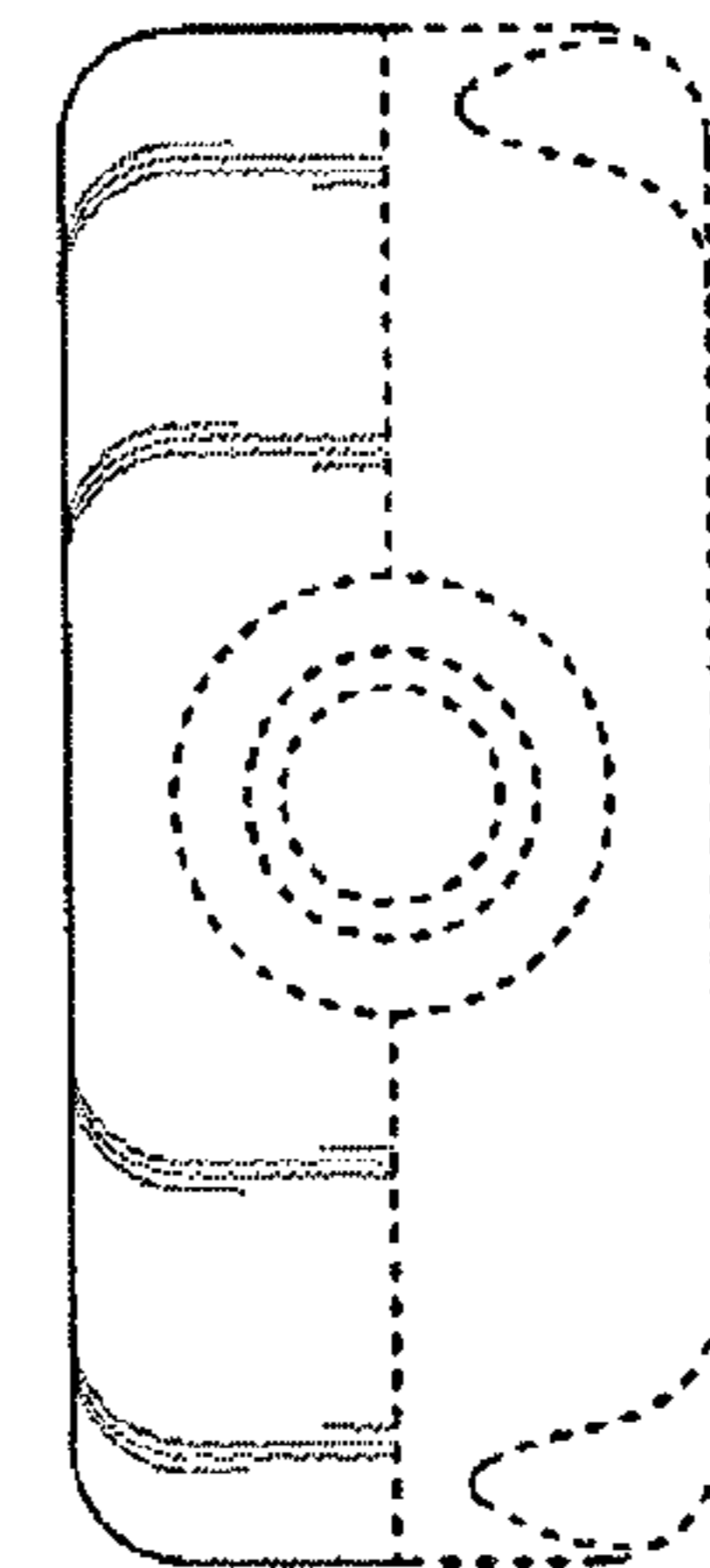


FIG. 5

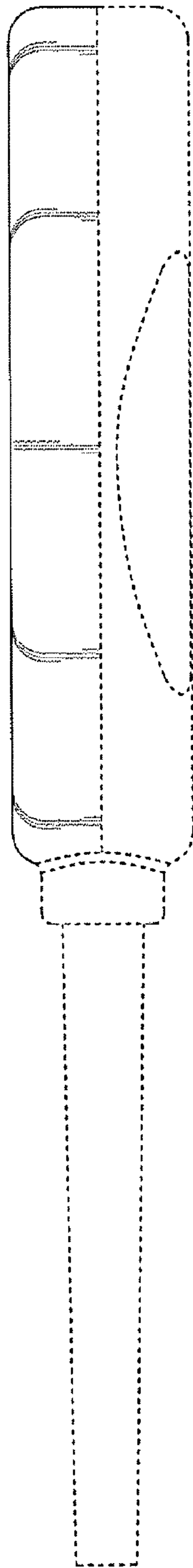


FIG. 6

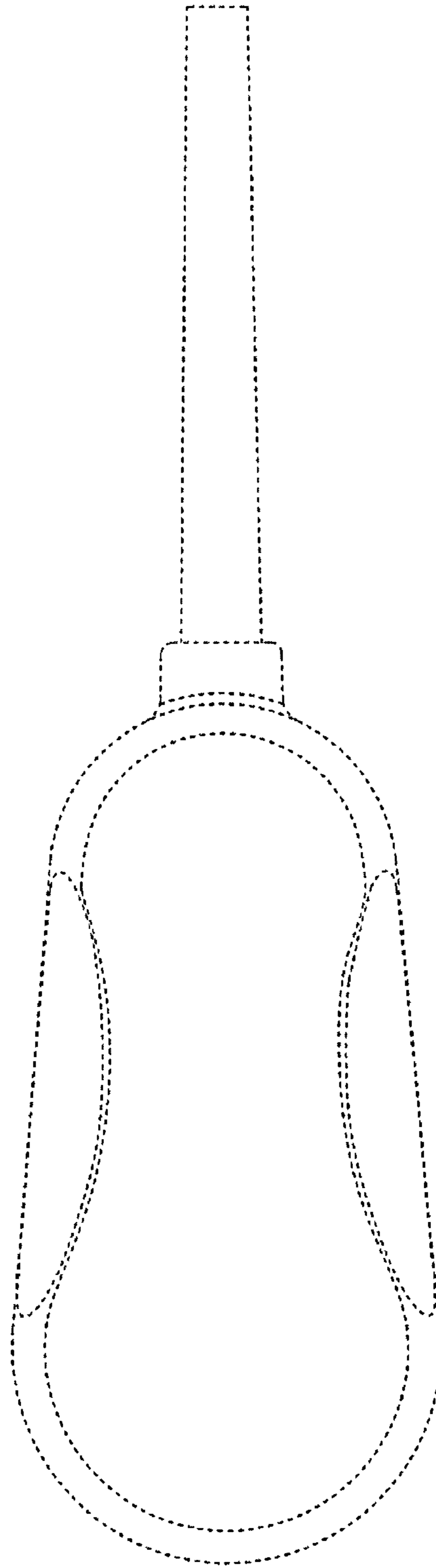


FIG. 7