



US00D726663S

(12) **United States Design Patent**
Clymer et al.

(10) **Patent No.:** **US D726,663 S**
(45) **Date of Patent:** **** Apr. 14, 2015**

(54) **PLUG-IN LOAD CONTROL DEVICE**

- (71) Applicant: **Lutron Electronics Co., Inc.**,
Coopersburg, PA (US)
- (72) Inventors: **Erica L. Clymer**, Northampton, PA
(US); **Susan Hakkarainen**, Doylestown,
PA (US); **Joel S. Spira**, Coopersburg, PA
(US)
- (73) Assignee: **Lutron Electronics Co., Inc.**,
Coopersburg, PA (US)
- (**) Term: **14 Years**
- (21) Appl. No.: **29/483,366**
- (22) Filed: **Feb. 27, 2014**

Related U.S. Application Data

- (62) Division of application No. 29/429,621, filed on Aug.
14, 2012, now Pat. No. Des. 703,154.
- (51) **LOC (10) Cl.** **13-03**
- (52) **U.S. Cl.**
USPC **D13/162**
- (58) **Field of Classification Search**
USPC D13/123, 137.3, 138.1, 158, 162, 164,
D13/171, 174; D26/26; 200/5 R, 5 A, 38 B,
200/38 R, 51 R, 52 R, 520, 530, 293, 296,
200/302.2, 308, 310, 314, 329, 331, 341;
307/115, 116, 139, 140, 157;
315/209 R, 224, 246, 291, 294, 295,
315/362

See application file for complete search history.

(56) **References Cited**

U.S. PATENT DOCUMENTS

- D301,868 S 6/1989 Schwartz
- D310,063 S 8/1990 Cheng

(Continued)

OTHER PUBLICATIONS

Crestron, "CLW-LDIMEX Series Wireless Lamp Dimmer Operations Guide", Crestron Electronics, Inc., www.crestron.com, Feb. 2010, 2 pages.

(Continued)

Primary Examiner — Selina Sikder

(74) *Attorney, Agent, or Firm* — Condo Roccia Koptiw LLP

(57) **CLAIM**

We claim the ornamental design for a plug-in load control device, as shown and described.

DESCRIPTION

FIG. 1 is a first perspective view of a plug-in load control device according to a first embodiment of our new design.

FIG. 2 is a second perspective view of the embodiment depicted in FIG. 1.

FIG. 3 is a front view of the embodiment depicted in FIG. 1.

FIG. 4 is a left side view of the embodiment depicted in FIG. 1.

FIG. 5 is a right side view of the embodiment depicted in FIG. 1.

FIG. 6 is a top view of the embodiment depicted in FIG. 1.

FIG. 7 is a bottom view of the embodiment depicted in FIG. 1.

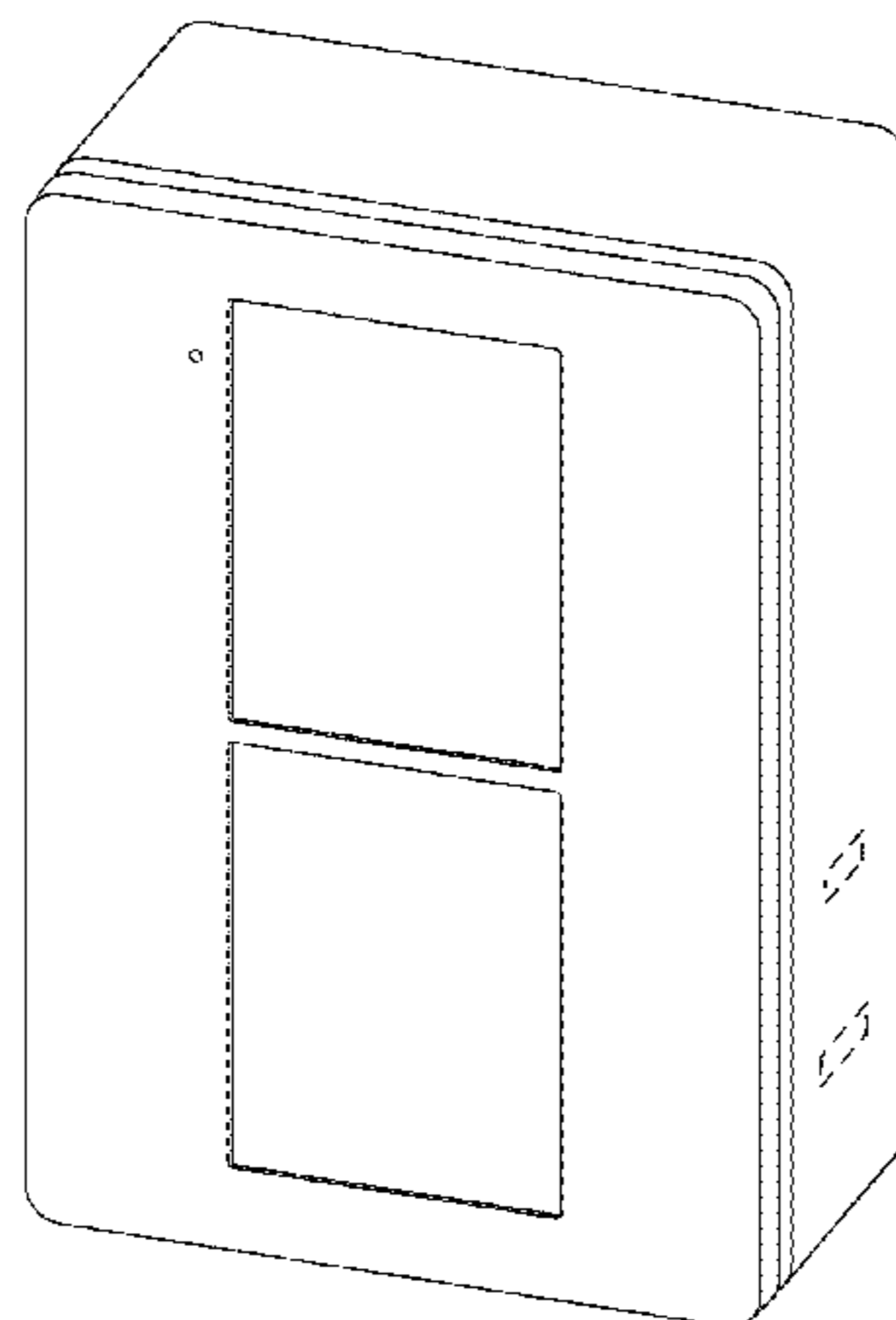
FIG. 8 is a first perspective view of a plug-in load control device according to a second embodiment of our new design.

FIG. 9 is a second perspective view of the embodiment depicted in FIG. 8; and,

FIG. 10 is a front view of the embodiment depicted in FIG. 8, the left side, right side, top, and bottom views, respectively, of the second embodiment depicted in FIG. 8 being identical to the left side, right side, top, and bottom views of the first embodiment depicted in FIG. 1.

The rear views form no part of the design and are omitted. The portions of the drawings appearing in broken line are for environment only and do not form a part of the claimed design.

1 Claim, 8 Drawing Sheets



(56)

References Cited

U.S. PATENT DOCUMENTS

D320,786 S 10/1991 Darnell et al.
D323,488 S 1/1992 Darnell et al.
5,848,054 A 12/1998 Mosebrook et al.
D428,855 S 8/2000 Mayo et al.
D431,027 S 9/2000 Armstrong
D437,585 S 2/2001 Mayo et al.
D439,220 S 3/2001 Mayo et al.
D450,043 S 11/2001 Mosebrook et al.
D543,158 S 5/2007 Blair et al.
D543,951 S 6/2007 Blair et al.
D570,298 S 6/2008 Hewson et al.
D592,607 S 5/2009 Felegy et al.
D592,611 S 5/2009 Altonen et al.
D601,512 S 10/2009 Valoz
D606,030 S 12/2009 Felegy et al.
D606,500 S 12/2009 Snyder et al.
D614,588 S 4/2010 Snyder et al.
D616,835 S 6/2010 Felegy et al.

D627,309 S 11/2010 Snyder et al.
D630,593 S 1/2011 Clymer et al.
D631,856 S 2/2011 Altonen et al.
D638,372 S 5/2011 Clymer et al.
D646,640 S 10/2011 Clymer et al.
D666,978 S 9/2012 Felegy et al.
D703,154 S * 4/2014 Clymer et al. D13/164
2008/0303451 A1 12/2008 Mosebrook et al.
2009/0251352 A1 10/2009 Altonen et al.
2011/0147190 A1 6/2011 GaleWyrick et al.

OTHER PUBLICATIONS

Insteon, "LampLinc Dimmer User's Guide", Smarthome, Inc., www.smarthome.com, © 2005, 1-21.
Leviton, "vizia rf+ Plug-in Modules", Product Specifications, Leviton Mfg. Co., Inc, www.leviton.com, © 2008, 4 pages.
Lutron, "GRX-12VDC Plug-In Class 2 Transformer", Grafik Eye, Specification Submittal, Apr. 27, 2004, 1 page.

* cited by examiner

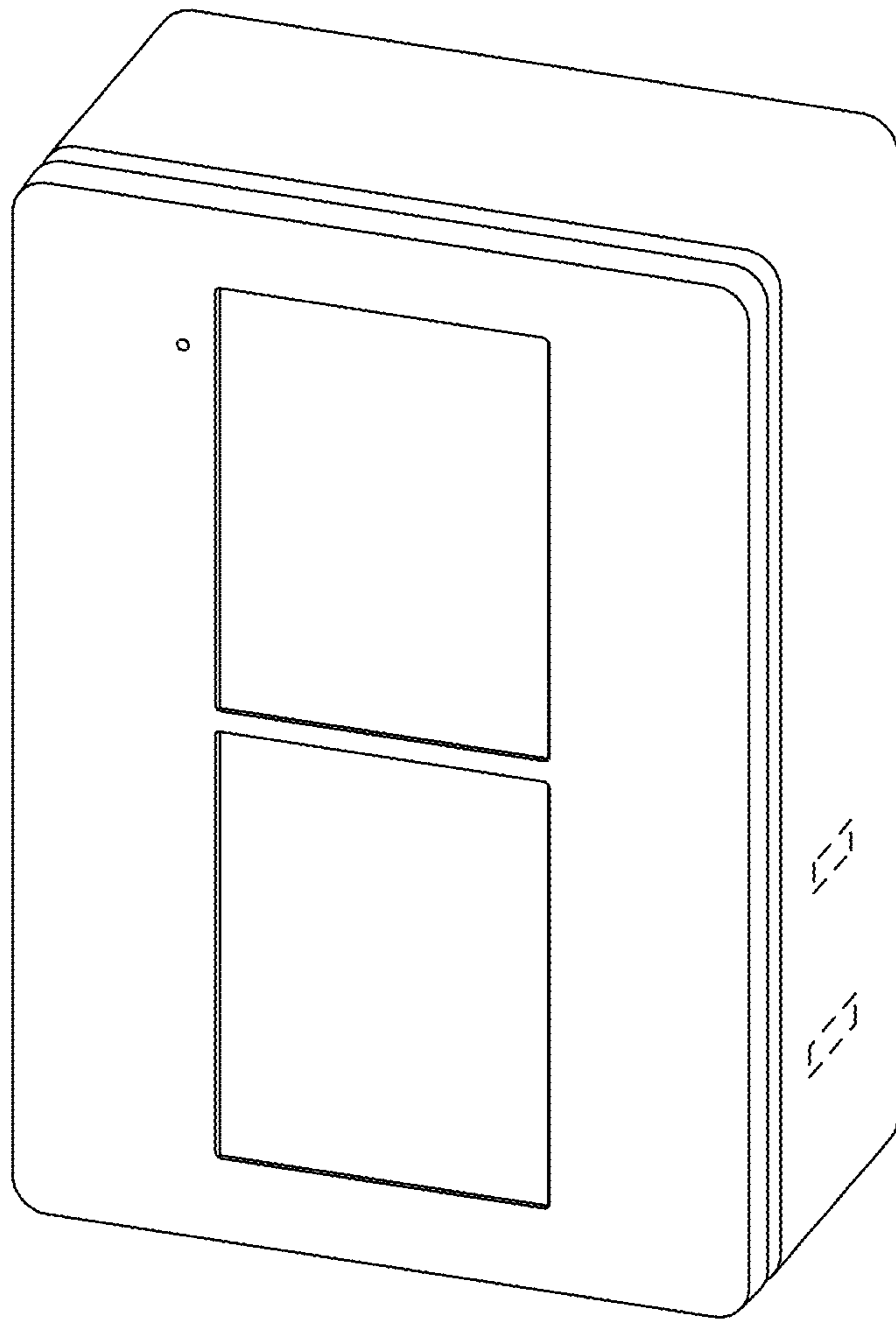


Fig. 1

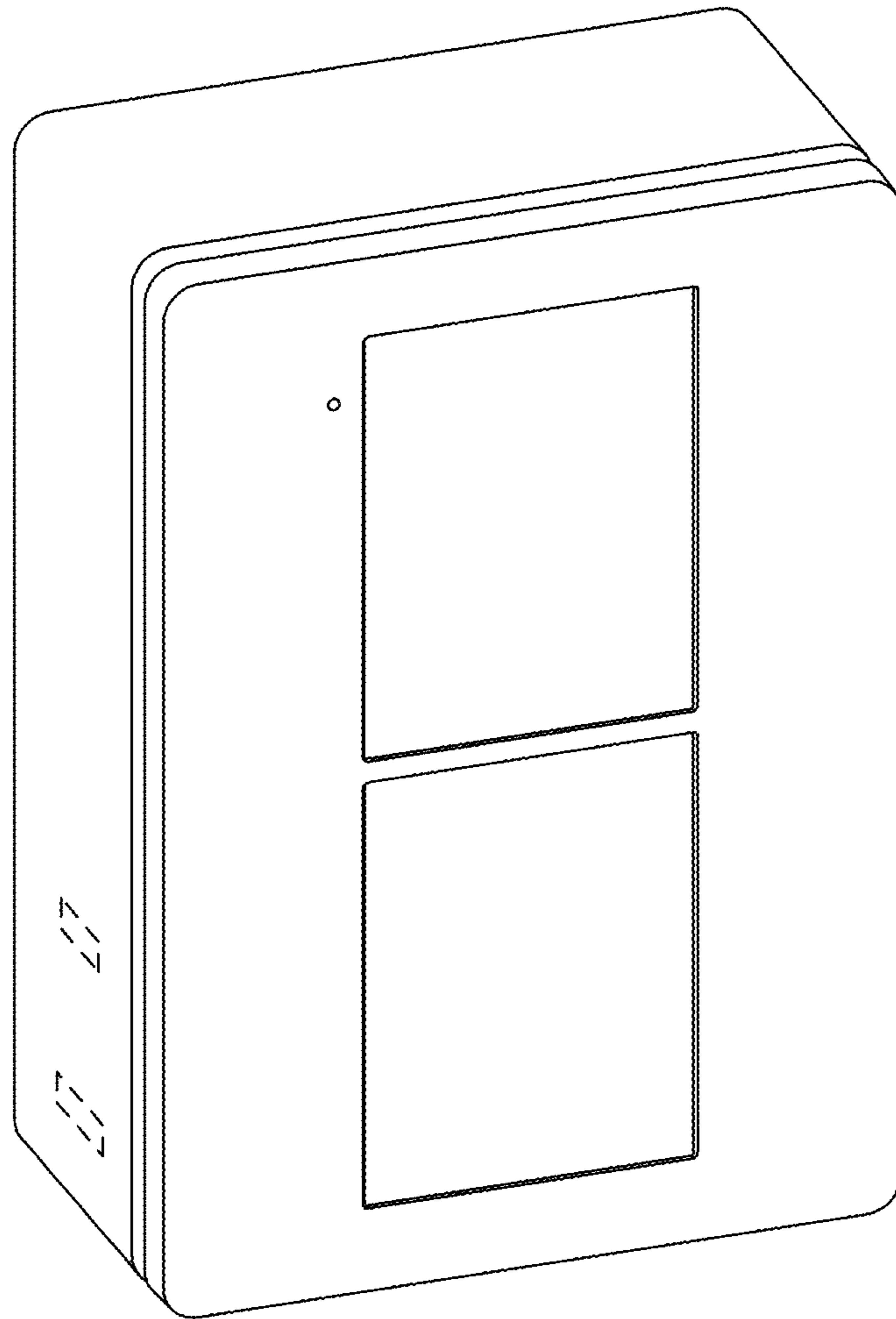


Fig. 2

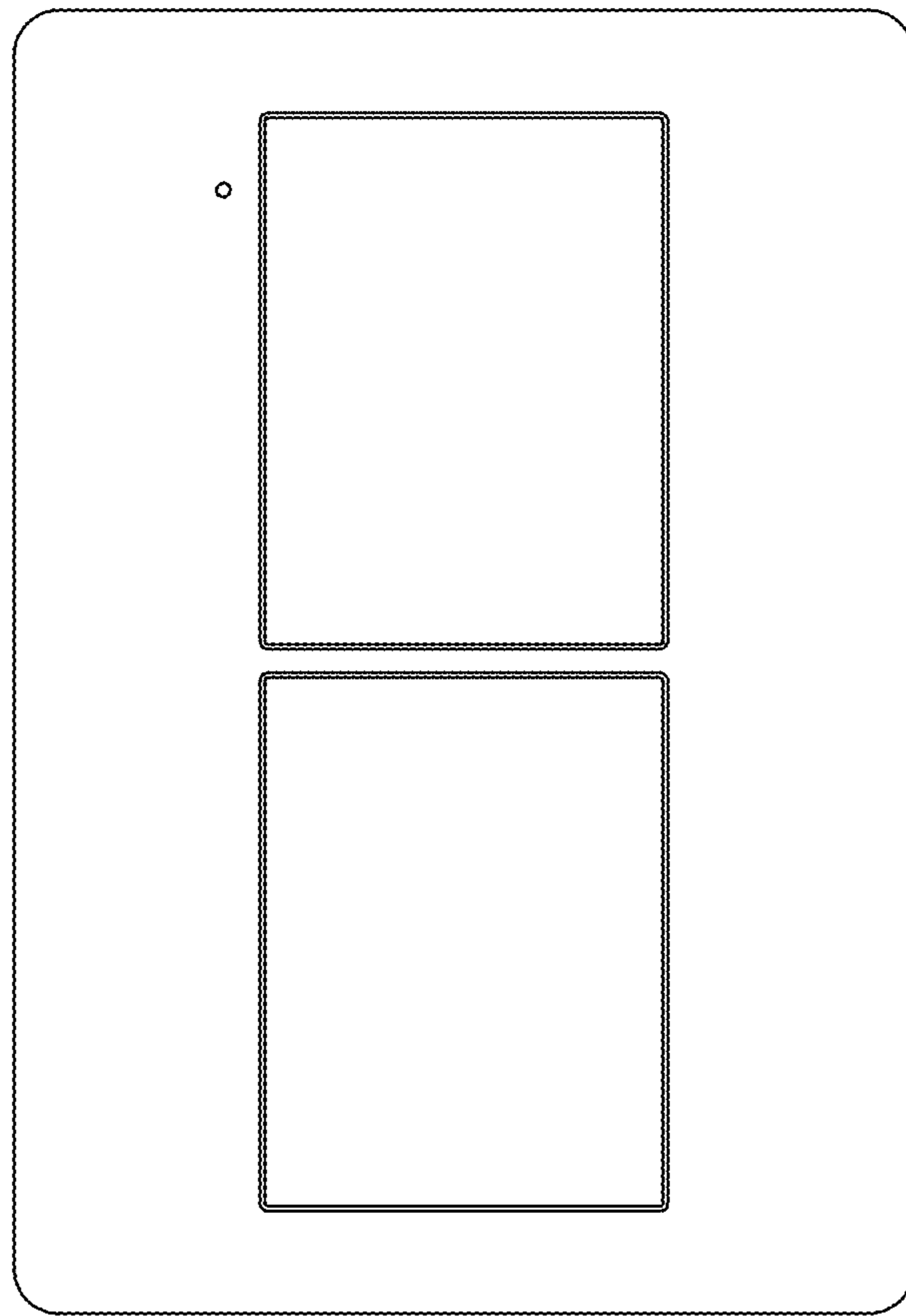


Fig. 3

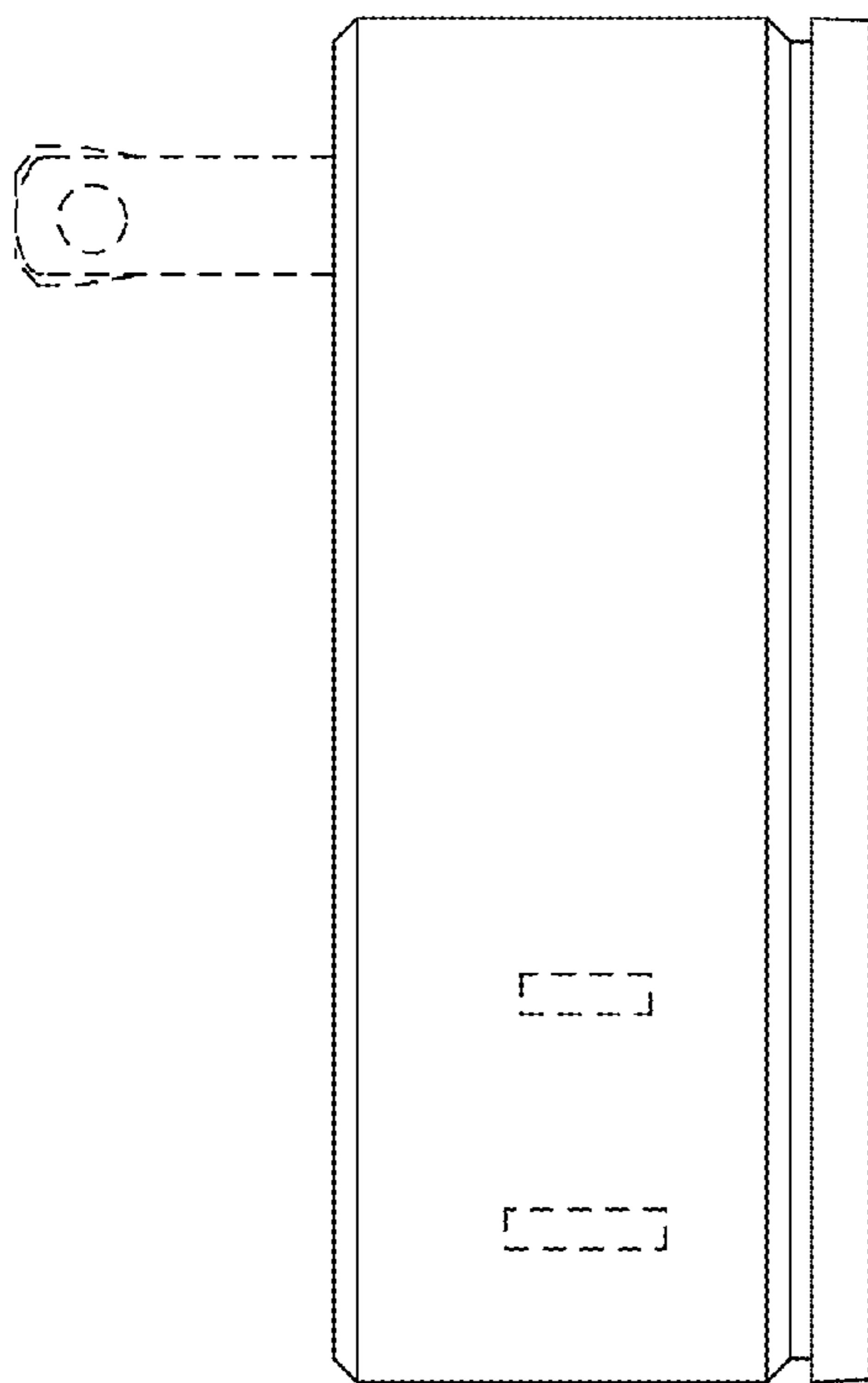


Fig. 4

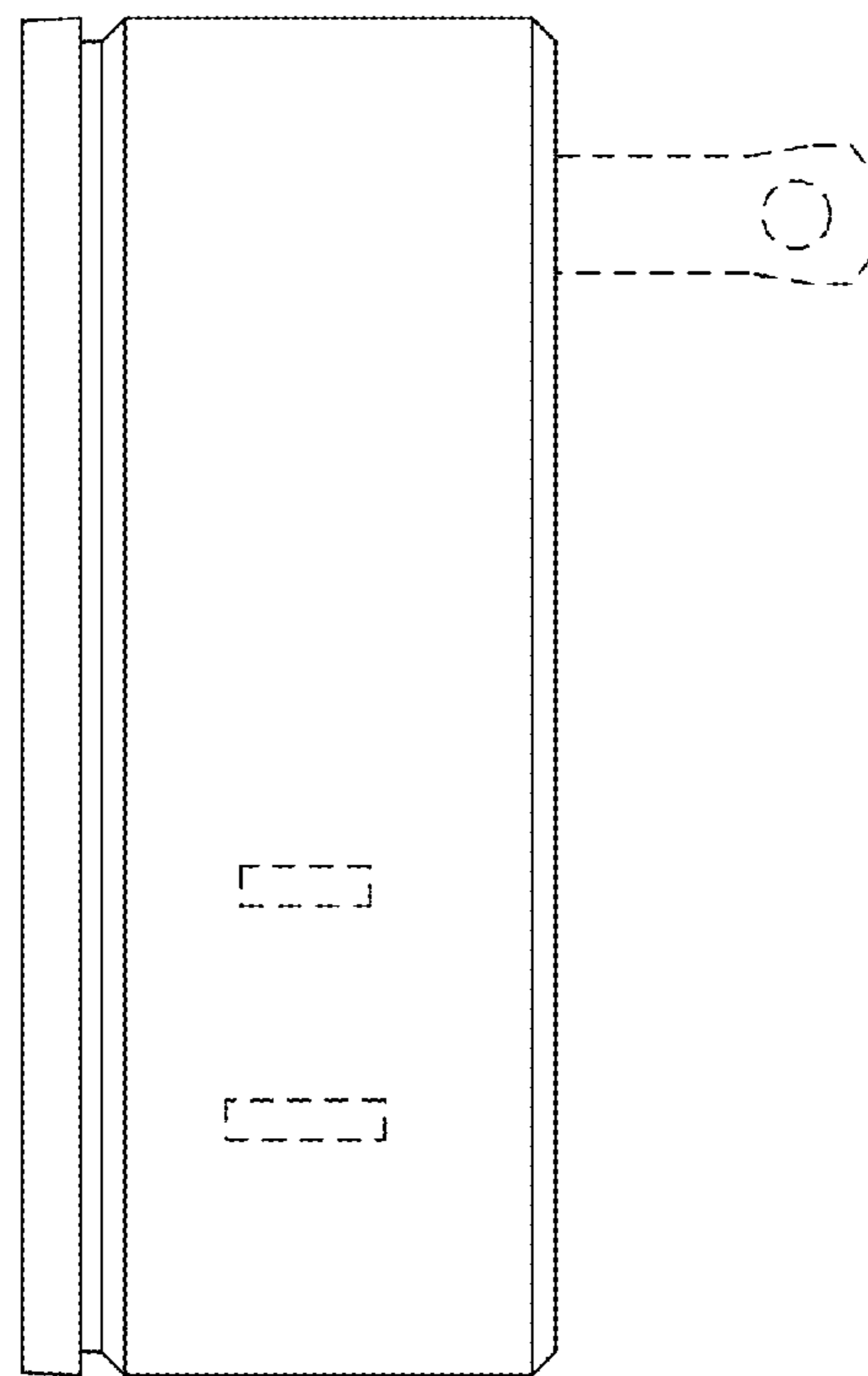


Fig. 5

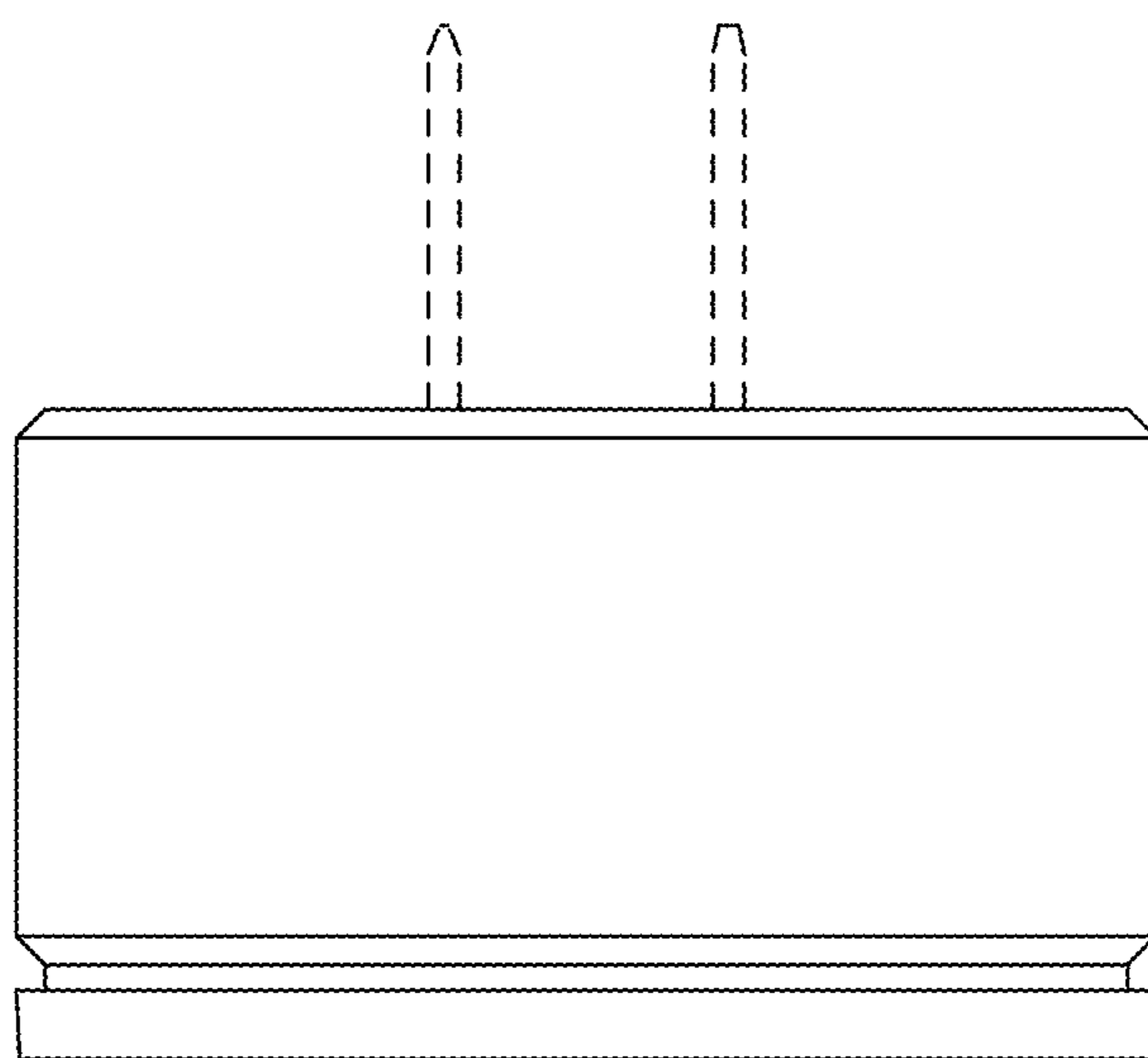


Fig. 6

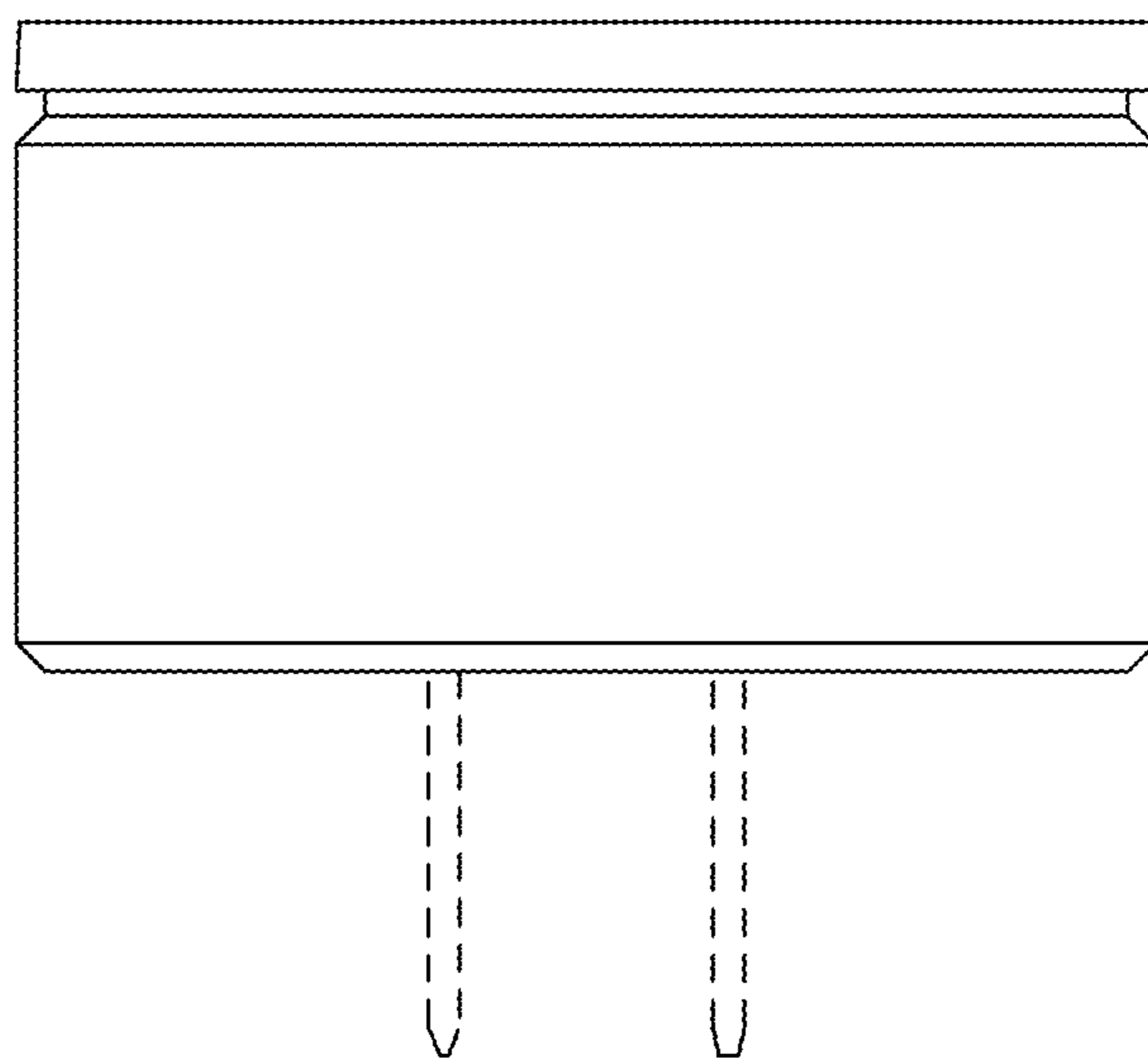


Fig. 7

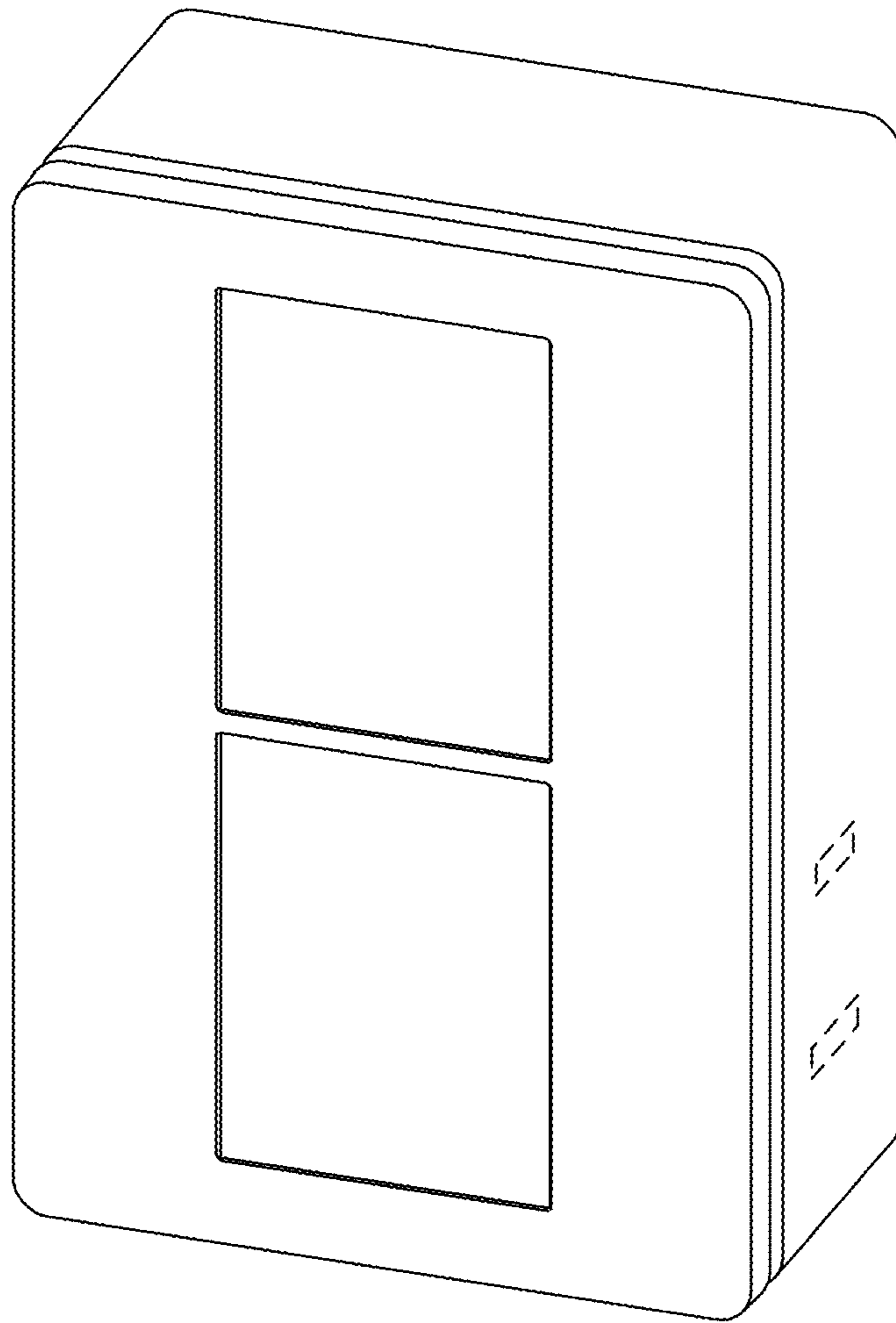


Fig. 8

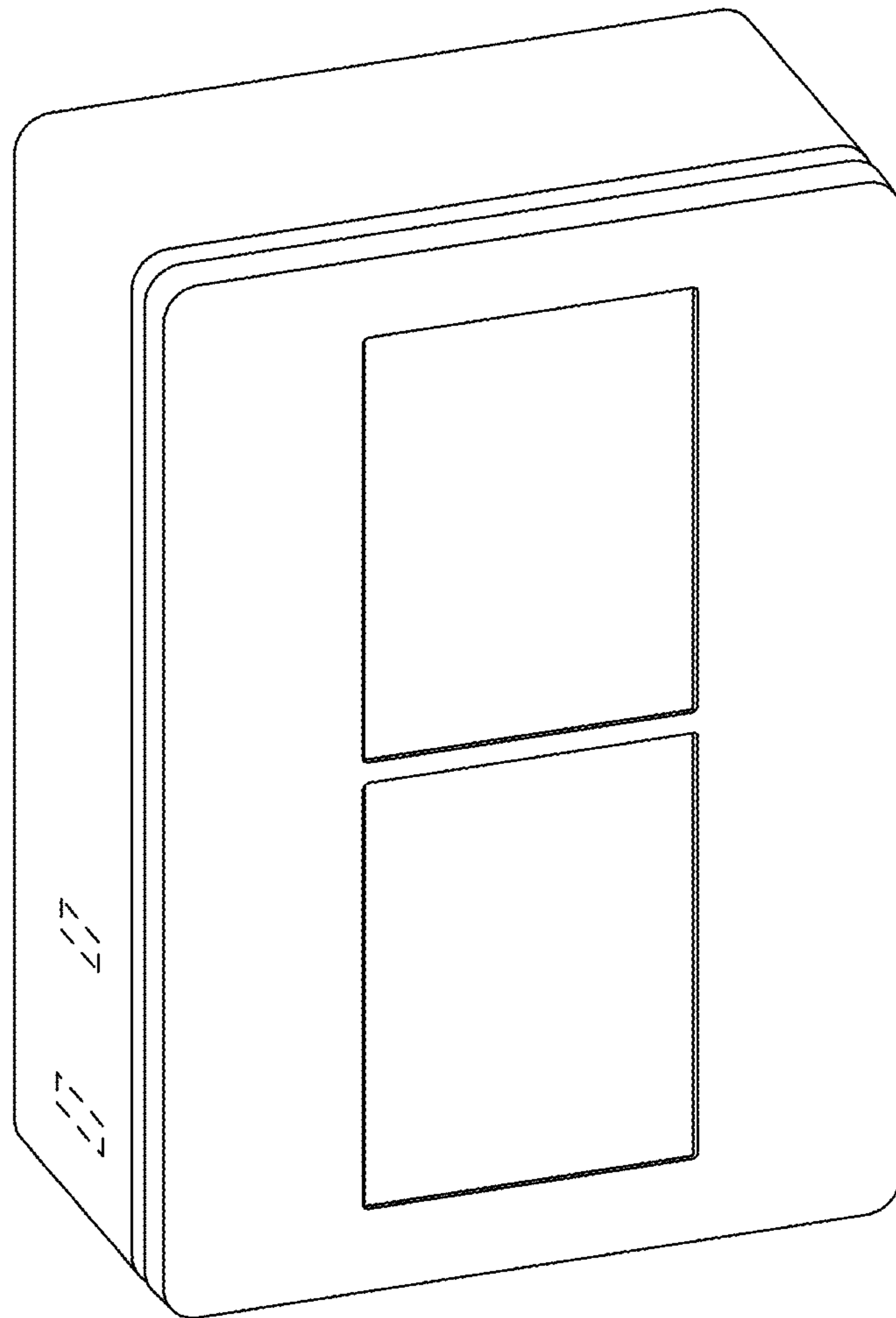


Fig. 9

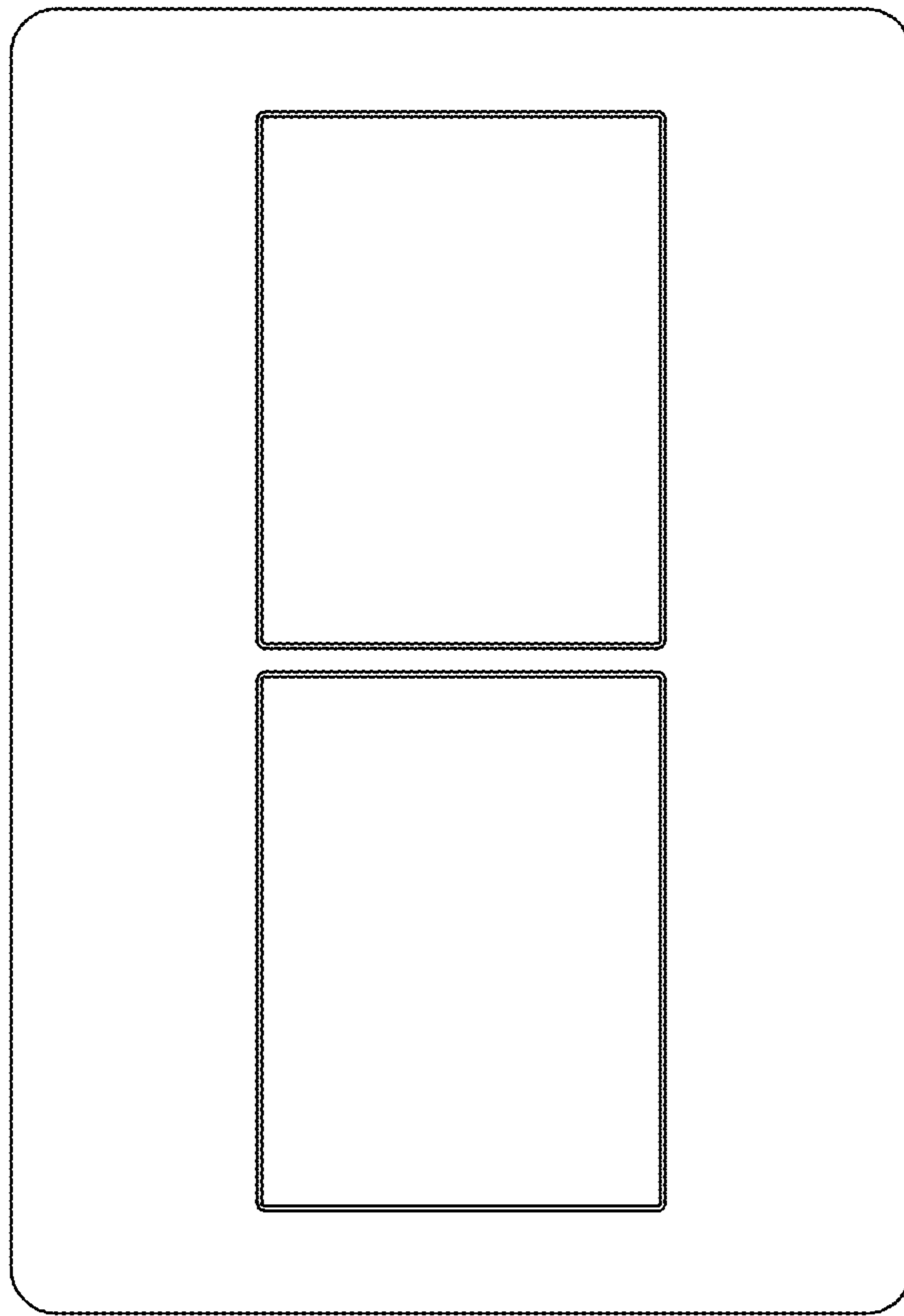


Fig. 10