



US00D726661S

(12) **United States Design Patent**
Sakae

(10) **Patent No.:** **US D726,661 S**

(45) **Date of Patent:** **** Apr. 14, 2015**

(54) **ELECTRIC CONNECTION TERMINAL**

(71) Applicant: **Kobe Steel, Ltd.**, Hyogo (JP)

(72) Inventor: **Akira Sakae**, Kobe (JP)

(73) Assignee: **Kobe Steel, Ltd.**, Hyogo (JP)

(**) Term: **14 Years**

(21) Appl. No.: **29/478,696**

(22) Filed: **Jan. 7, 2014**

(30) **Foreign Application Priority Data**

Jul. 16, 2013 (JP) D2013-016105

(51) **LOC (10) Cl.** **13-03**

(52) **U.S. Cl.**
USPC **D13/154**

(58) **Field of Classification Search**
USPC D13/107, 108, 109, 117, 118, 119, 120,
D13/154, 184, 199

See application file for complete search history.

(56) **References Cited**

U.S. PATENT DOCUMENTS

D361,745 S * 8/1995 Geroux et al. D13/120
D622,671 S * 8/2010 Wang et al. D13/154

* cited by examiner

Primary Examiner — Daniel Bui

Assistant Examiner — Sanjeev Paul

(74) *Attorney, Agent, or Firm* — Studebaker & Brackett PC

(57) **CLAIM**

The ornamental design for an electric connection terminal, as shown and described.

DESCRIPTION

FIG. 1 is a perspective view of an electric connection terminal showing our new design;

FIG. 2 is a front view thereof;

FIG. 3 is a rear view thereof;

FIG. 4 is a left side view thereof;

FIG. 5 is a right side view thereof;

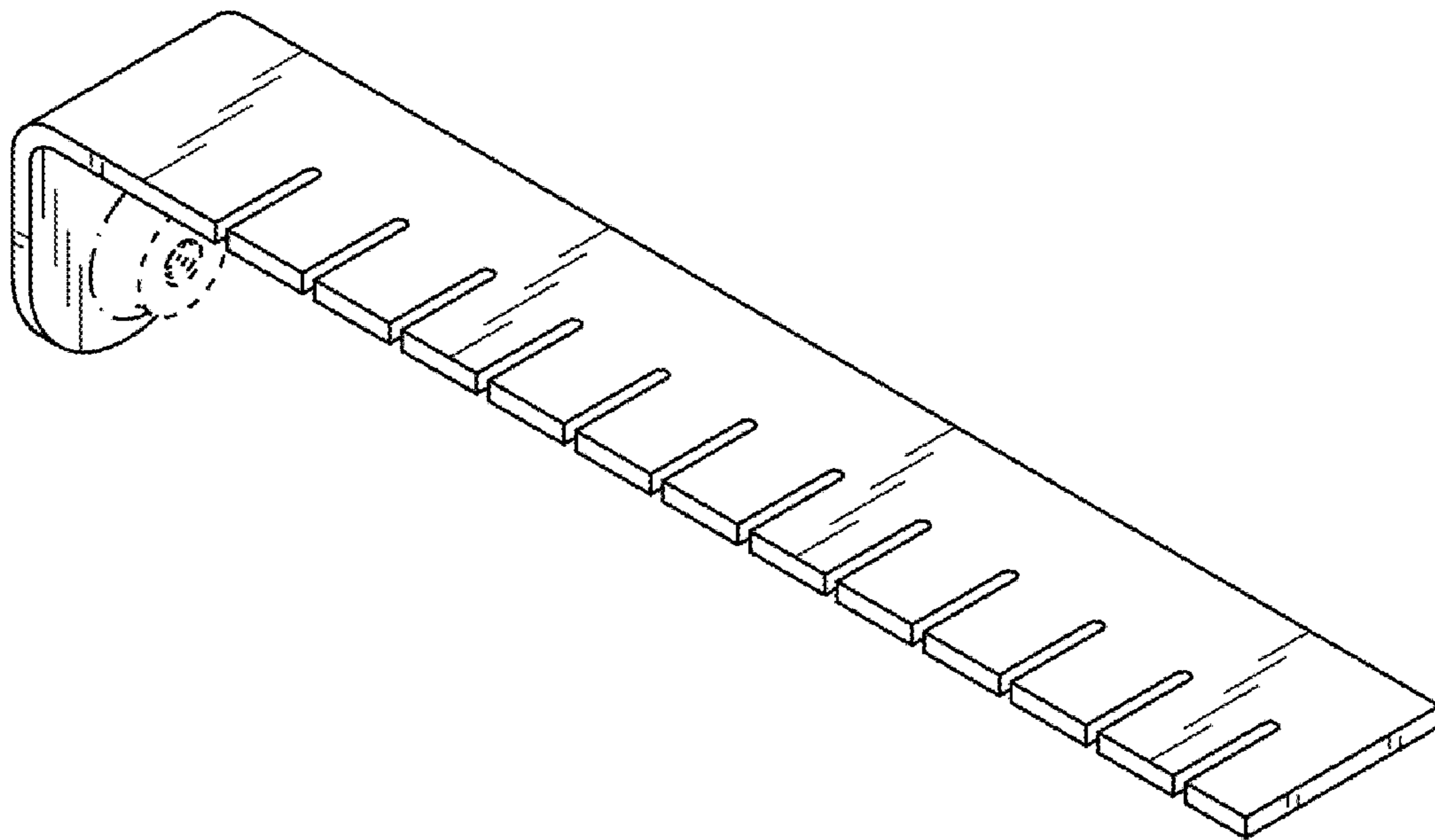
FIG. 6 is a top view thereof; and,

FIG. 7 is a bottom view thereof.

The portion shown by broken lines is for illustrative purposes only and forms no part of the claimed design.

The even-broken line in the figure drawings is included for the purpose of illustrating environment and forms no part of the claimed design.

1 Claim, 4 Drawing Sheets



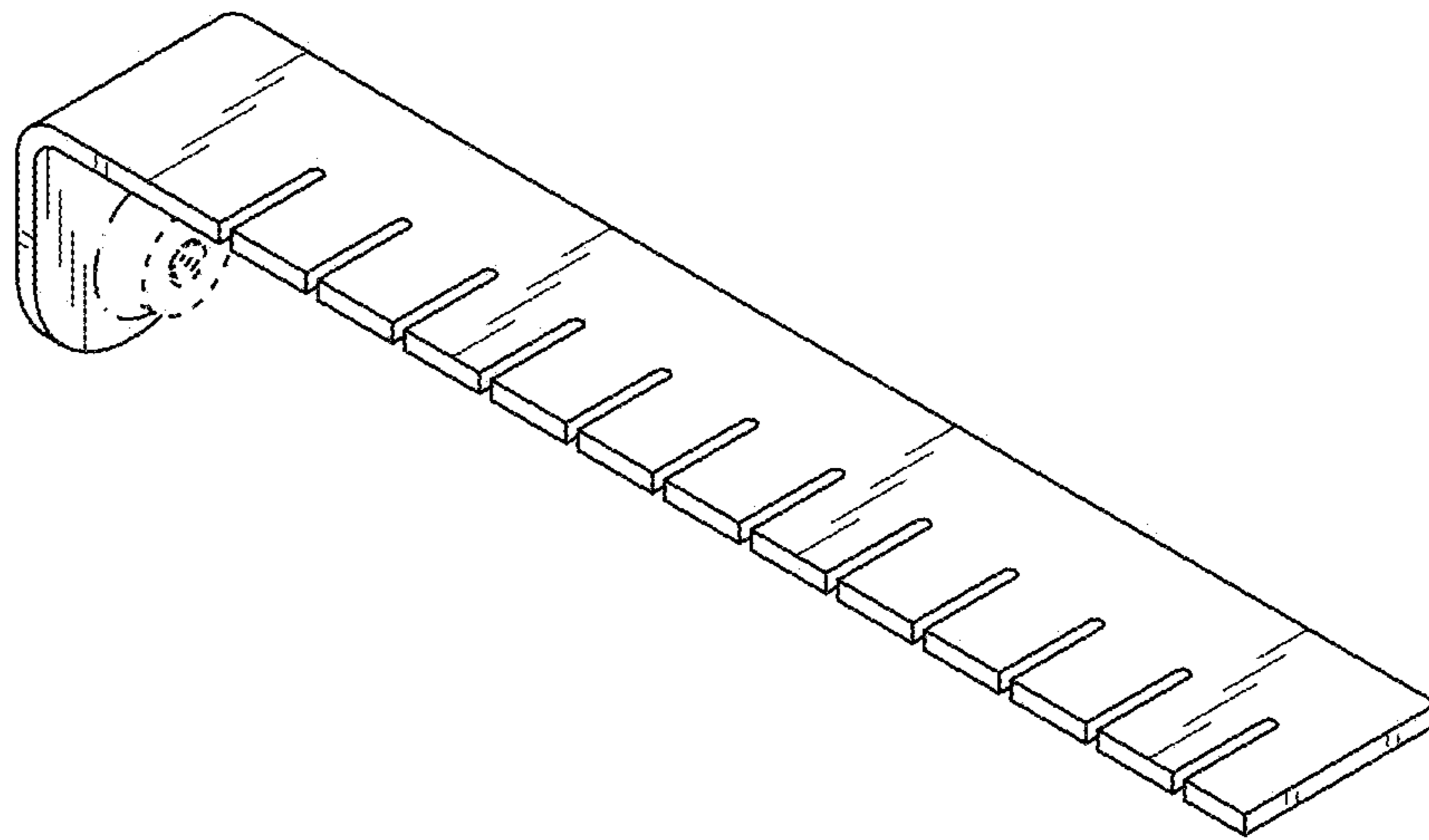


FIG.1

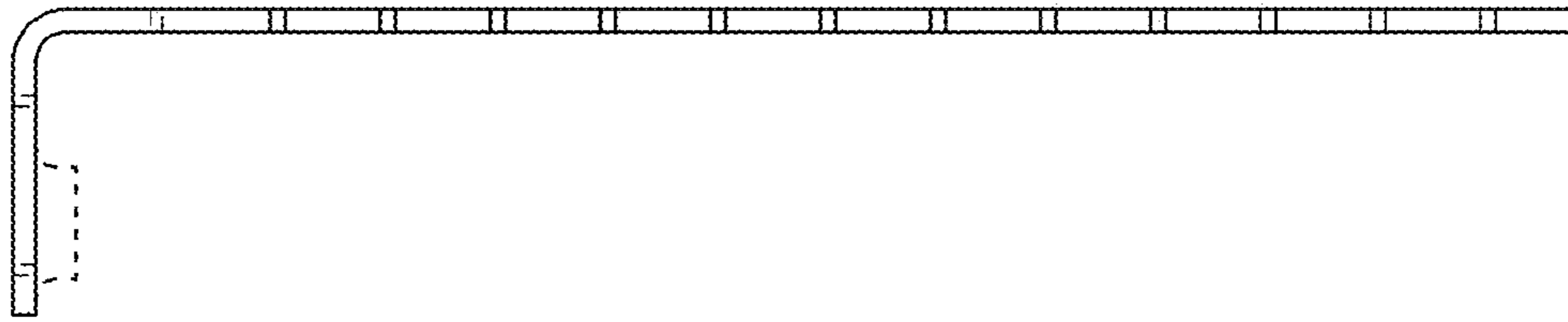


FIG. 2

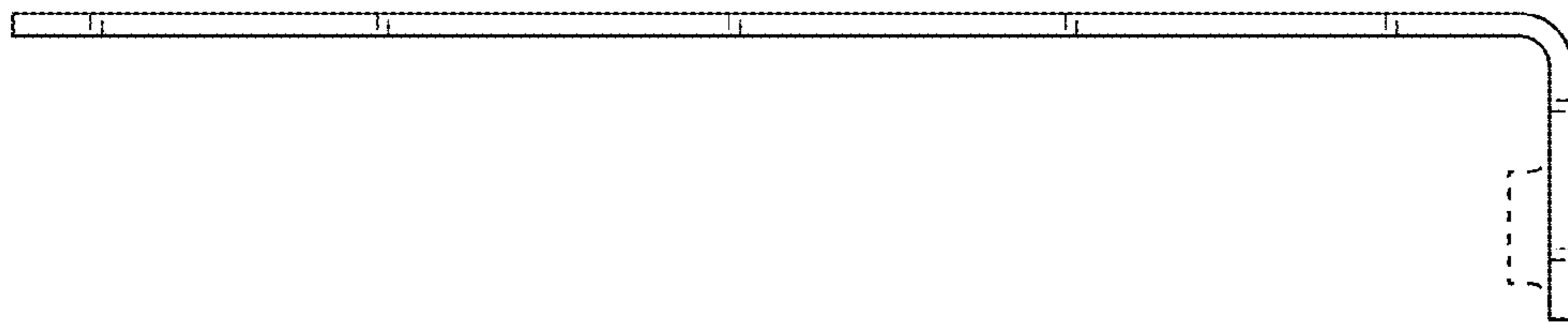


FIG. 3

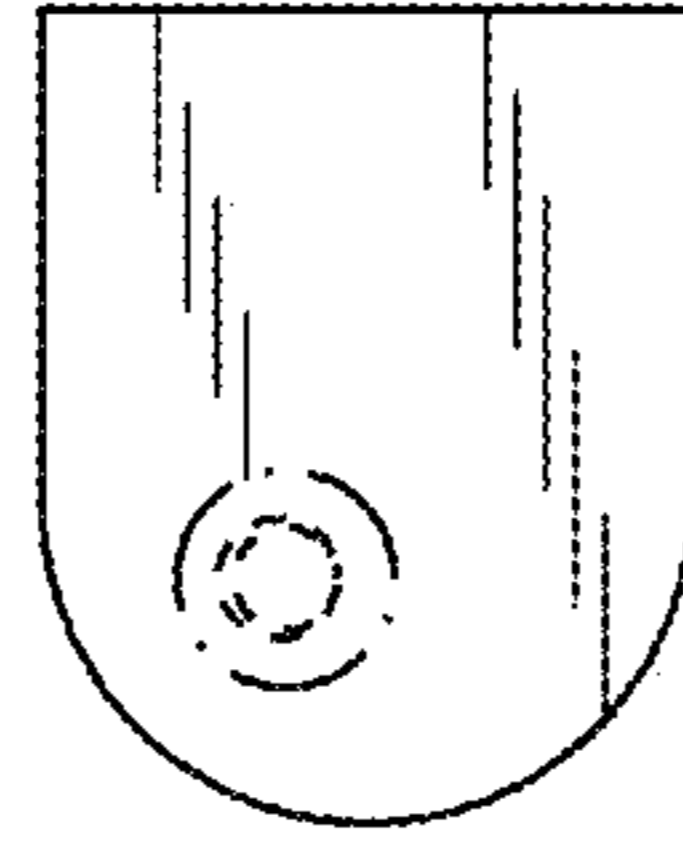


FIG. 4

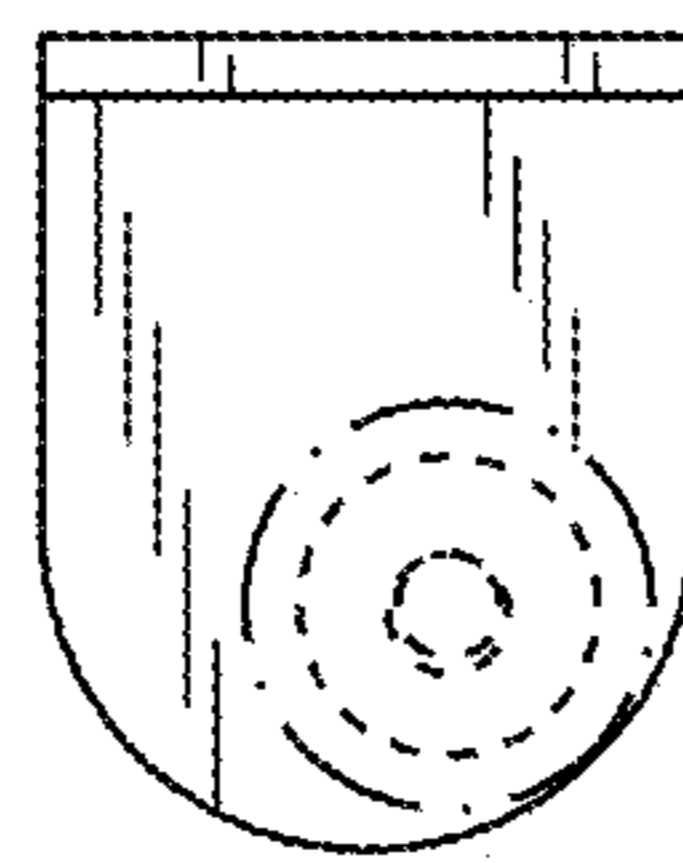


FIG. 5

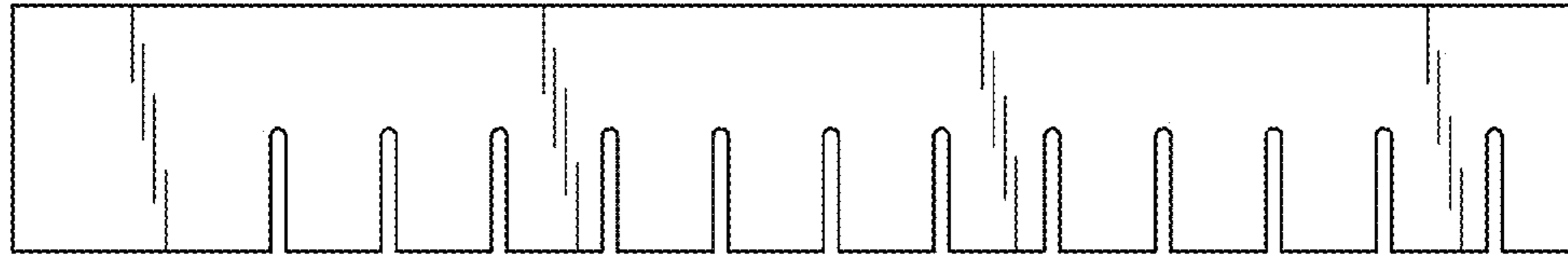


FIG. 6

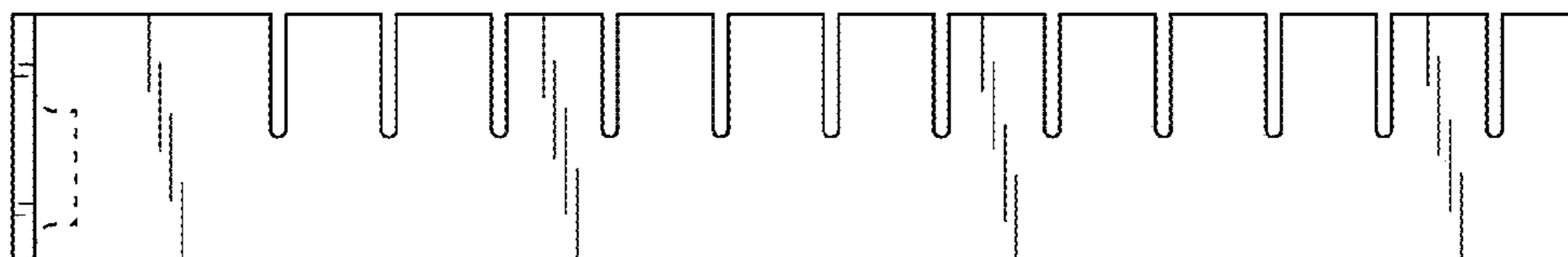


FIG. 7