



US00D726657S

(12) **United States Design Patent**
Takenaga et al.

(10) **Patent No.:** **US D726,657 S**
(45) **Date of Patent:** **** Apr. 14, 2015**

(54) **ELECTRICAL CONNECTOR**

(56) **References Cited**

(71) Applicant: **Japan Aviation Electronics Industry, Limited**, Tokyo (JP)

U.S. PATENT DOCUMENTS

(72) Inventors: **Yuichi Takenaga**, Tokyo (JP);
Masamichi Sasaki, Tokyo (JP)

D582,860 S * 12/2008 Sasaki D13/147
D699,192 S * 2/2014 Takenaga et al. D13/147
D703,615 S * 4/2014 Takenaga et al. D13/147

(73) Assignee: **Japan Aviation Electronics Industry, Limited**, Tokyo (JP)

* cited by examiner

(**) Term: **14 Years**

Primary Examiner — Daniel Bui

(21) Appl. No.: **29/483,336**

(74) *Attorney, Agent, or Firm* — Westerman, Hattori, Daniels & Adrian, LLP

(22) Filed: **Feb. 27, 2014**

(57) **CLAIM**

The ornamental design for an electrical connector, as shown and described.

Related U.S. Application Data

(62) Division of application No. 29/447,995, filed on Mar. 8, 2013, now Pat. No. Des. 703,615.

DESCRIPTION

(30) **Foreign Application Priority Data**

Sep. 14, 2012 (JP) 2012-022345
Sep. 14, 2012 (JP) 2012-022346

FIG. 1 is a front elevational view of an electrical connector, showing our new design;
FIG. 2 is a rear elevational view thereof;
FIG. 3 is a right side elevational view thereof;
FIG. 4 is a left side elevational view thereof;
FIG. 5 is a top plan view thereof;
FIG. 6 is a bottom plan view thereof;
FIG. 7 is a right front perspective view showing the top thereof;
FIG. 8 is a left rear perspective view showing the bottom thereof;
FIG. 9 is a right front perspective view showing the bottom thereof; and,
FIG. 10 is a left rear perspective view showing the top thereof.

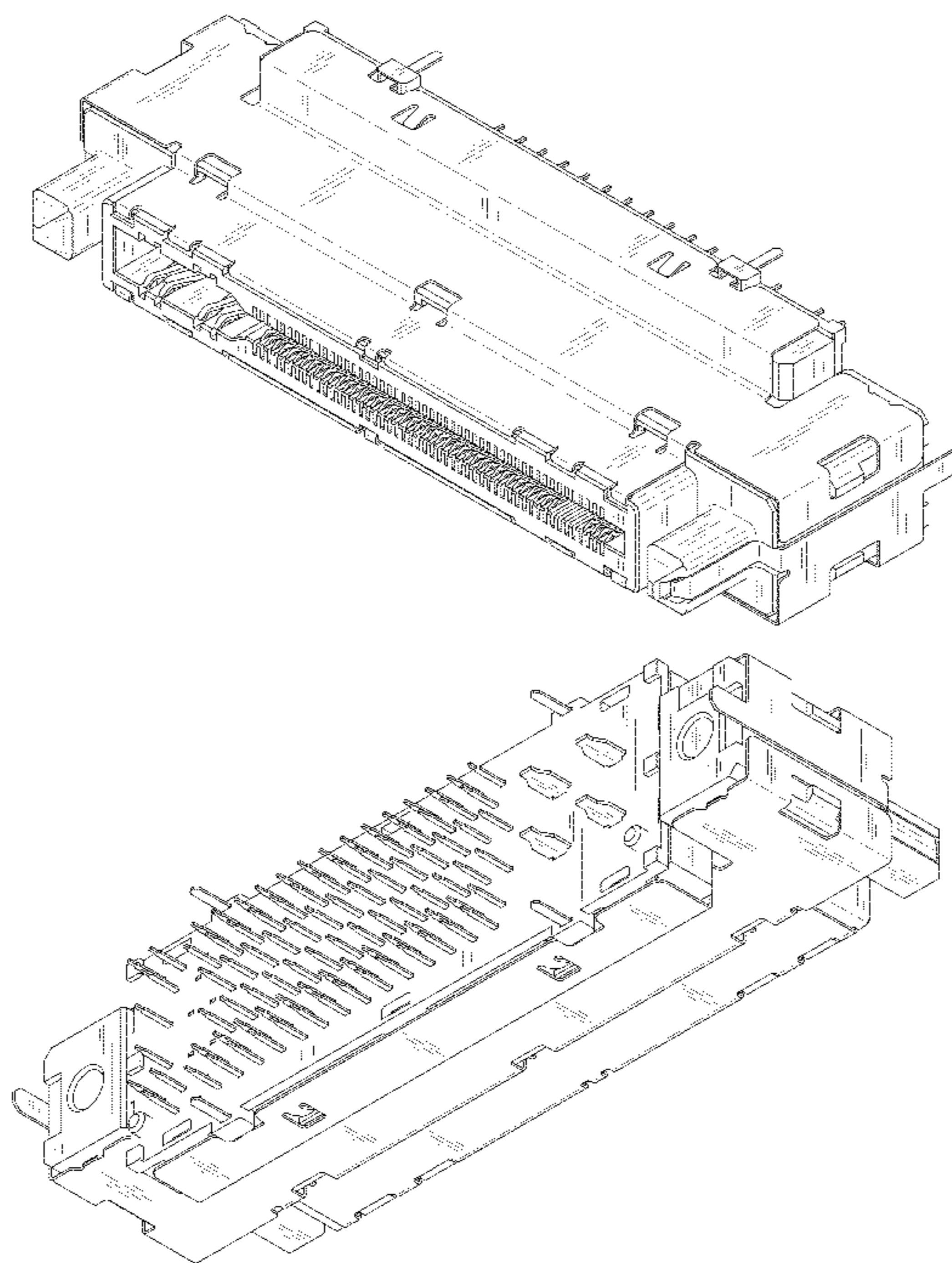
(51) **LOC (10) Cl.** **13-03**

(52) **U.S. Cl.**
USPC **D13/147**

(58) **Field of Classification Search**
USPC D13/147, 154, 184, 199; 439/79, 108, 439/350, 353, 357, 378, 476.1, 489, 587, 439/594, 595, 598, 607.01, 607.04, 607.05, 439/607.17, 607.25, 607.34, 607.41, 439/607.53, 656, 660, 668, 680, 711, 745, 439/752

See application file for complete search history.

1 Claim, 10 Drawing Sheets



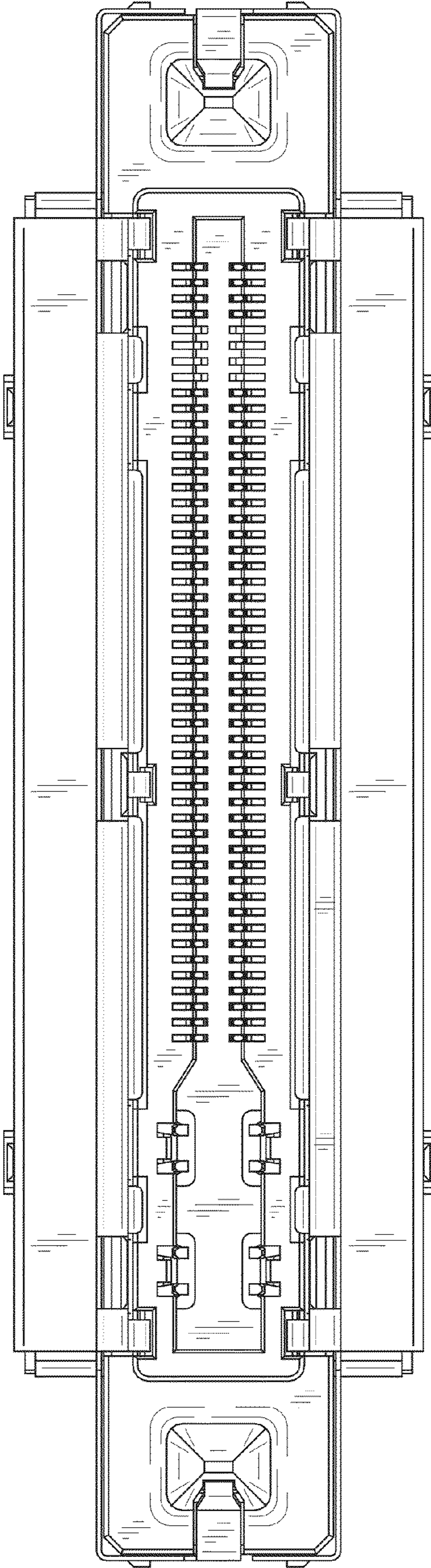


FIG.1

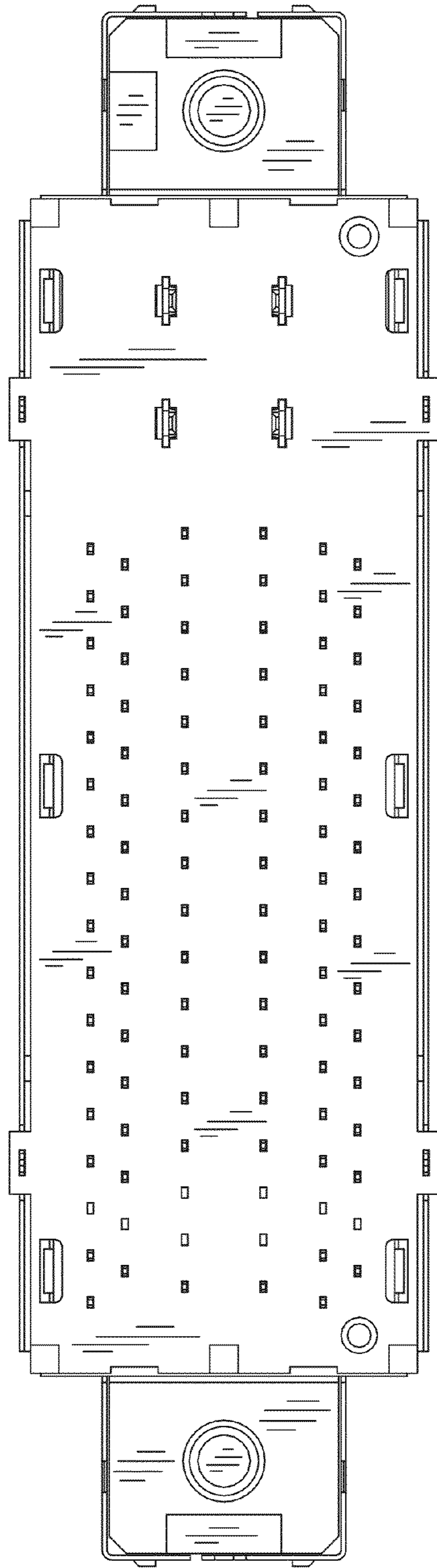


FIG.2

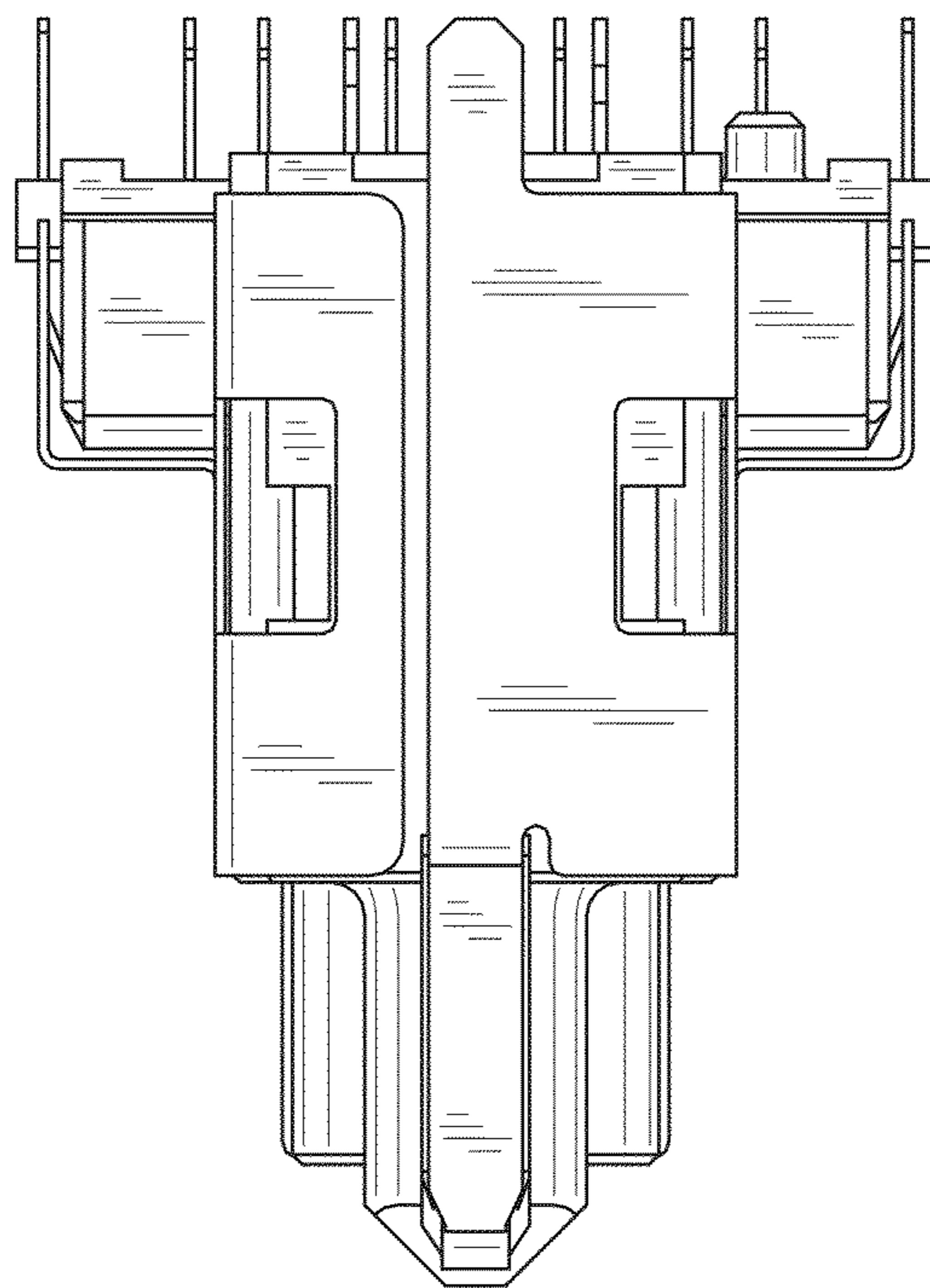


FIG.3

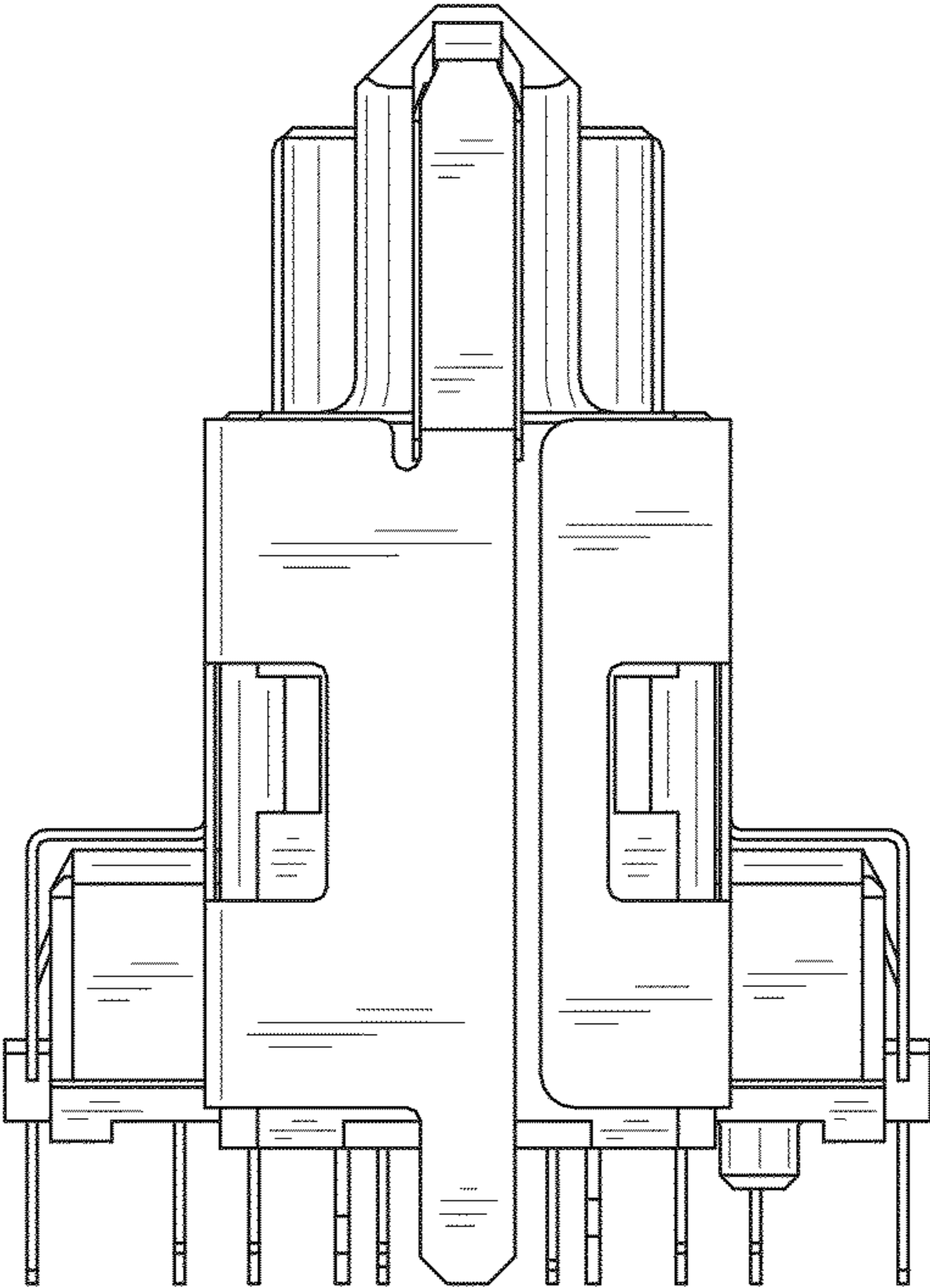


FIG.4

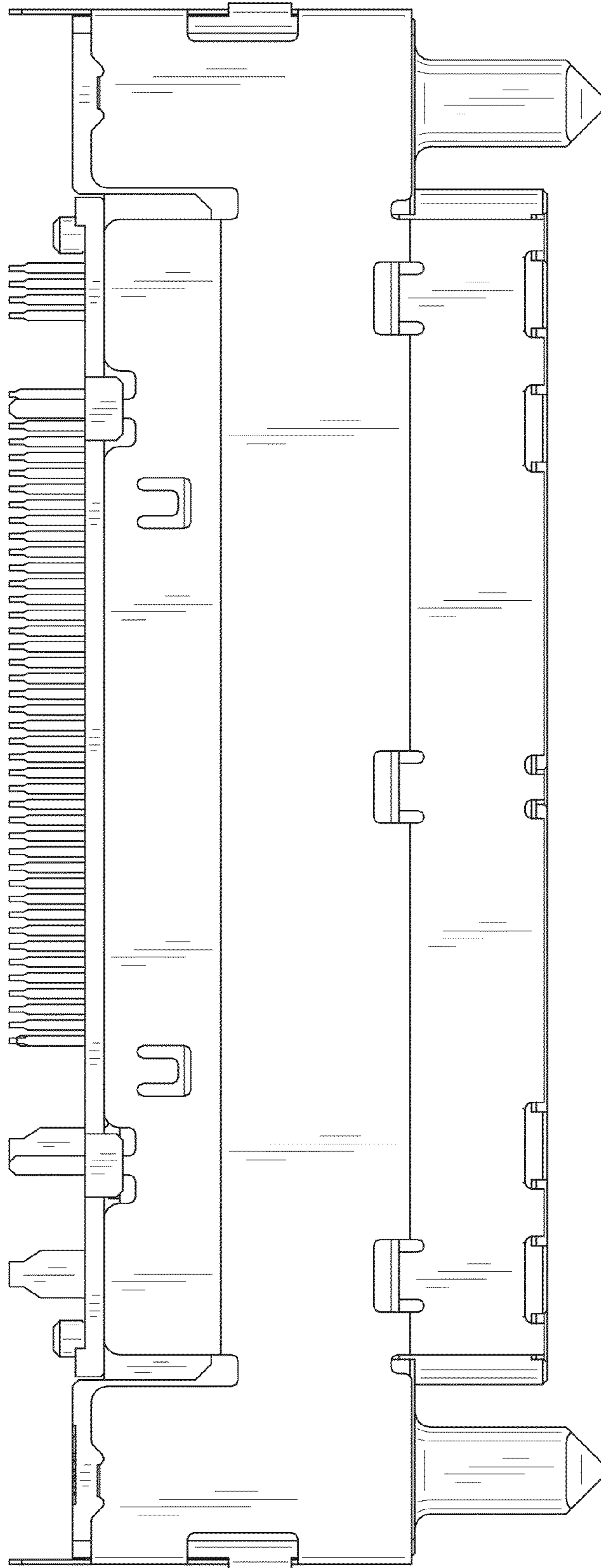


FIG.5

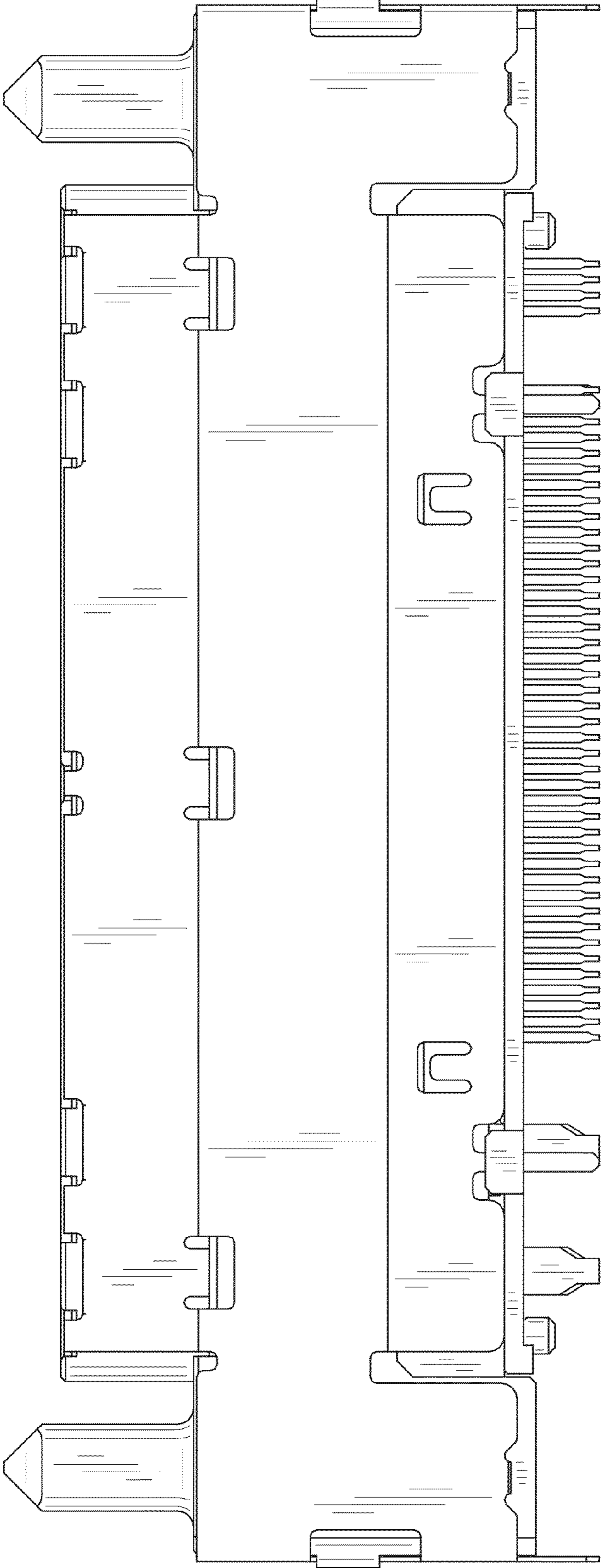


FIG.6

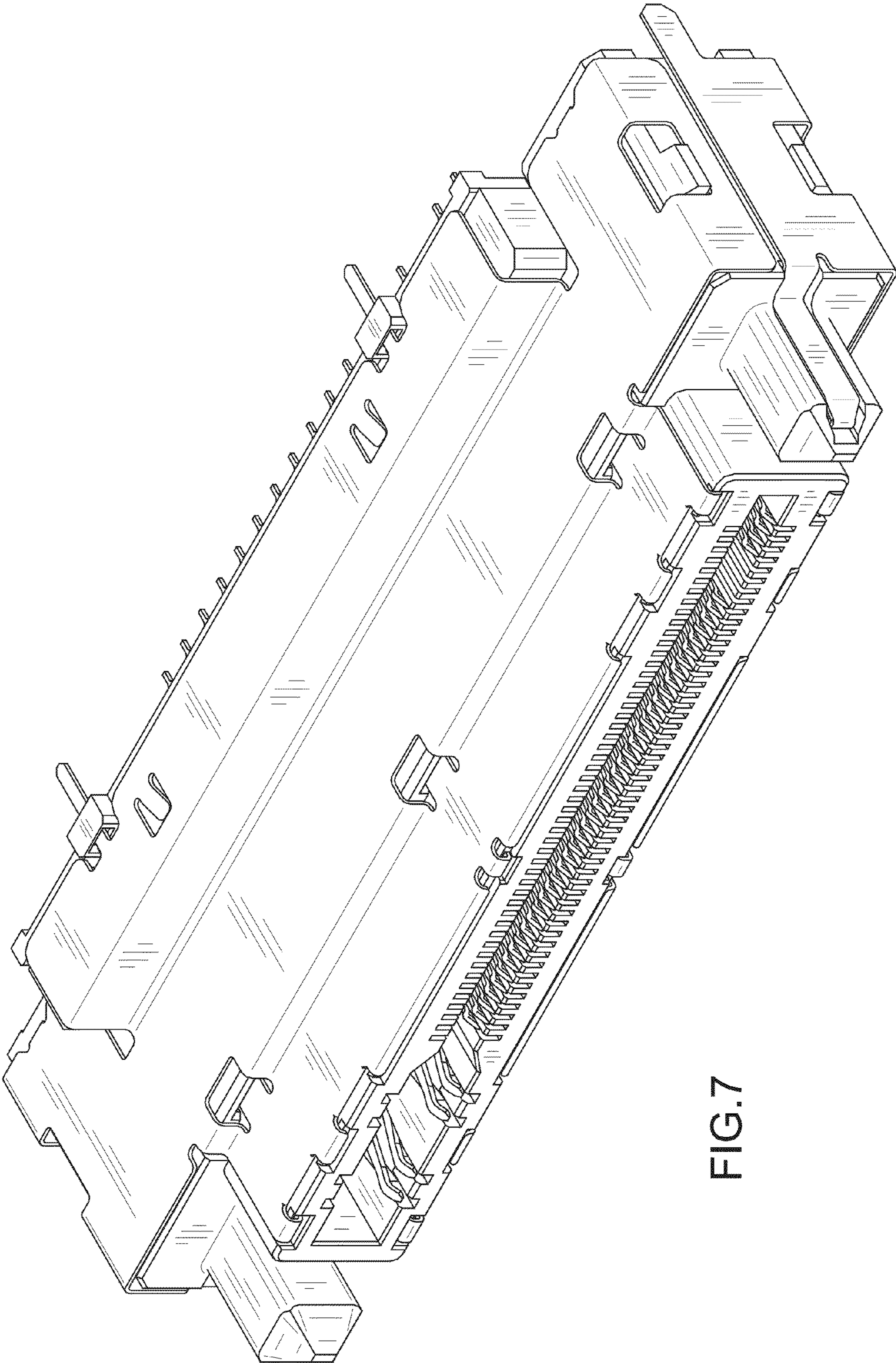


FIG.7

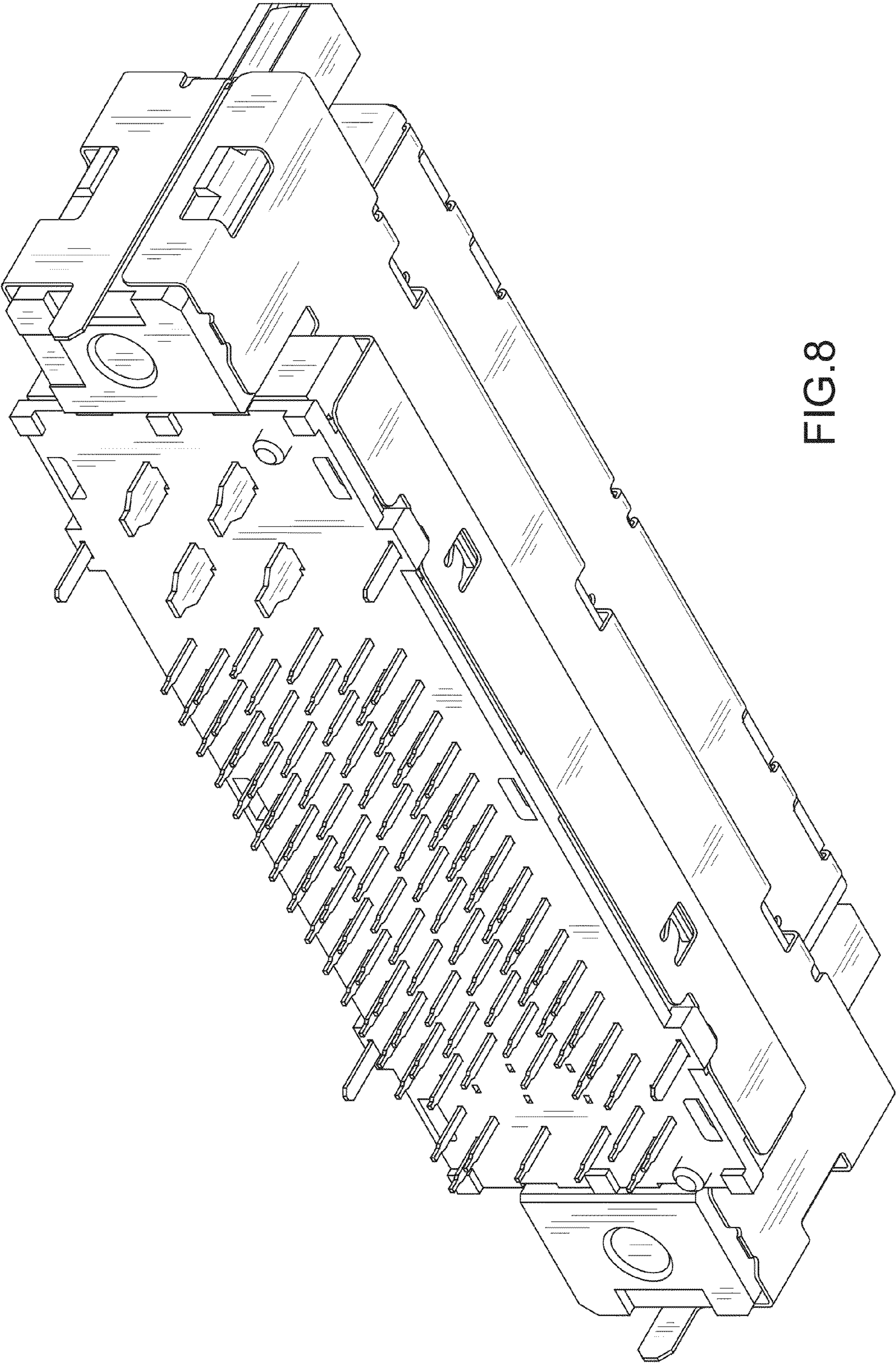


FIG.8

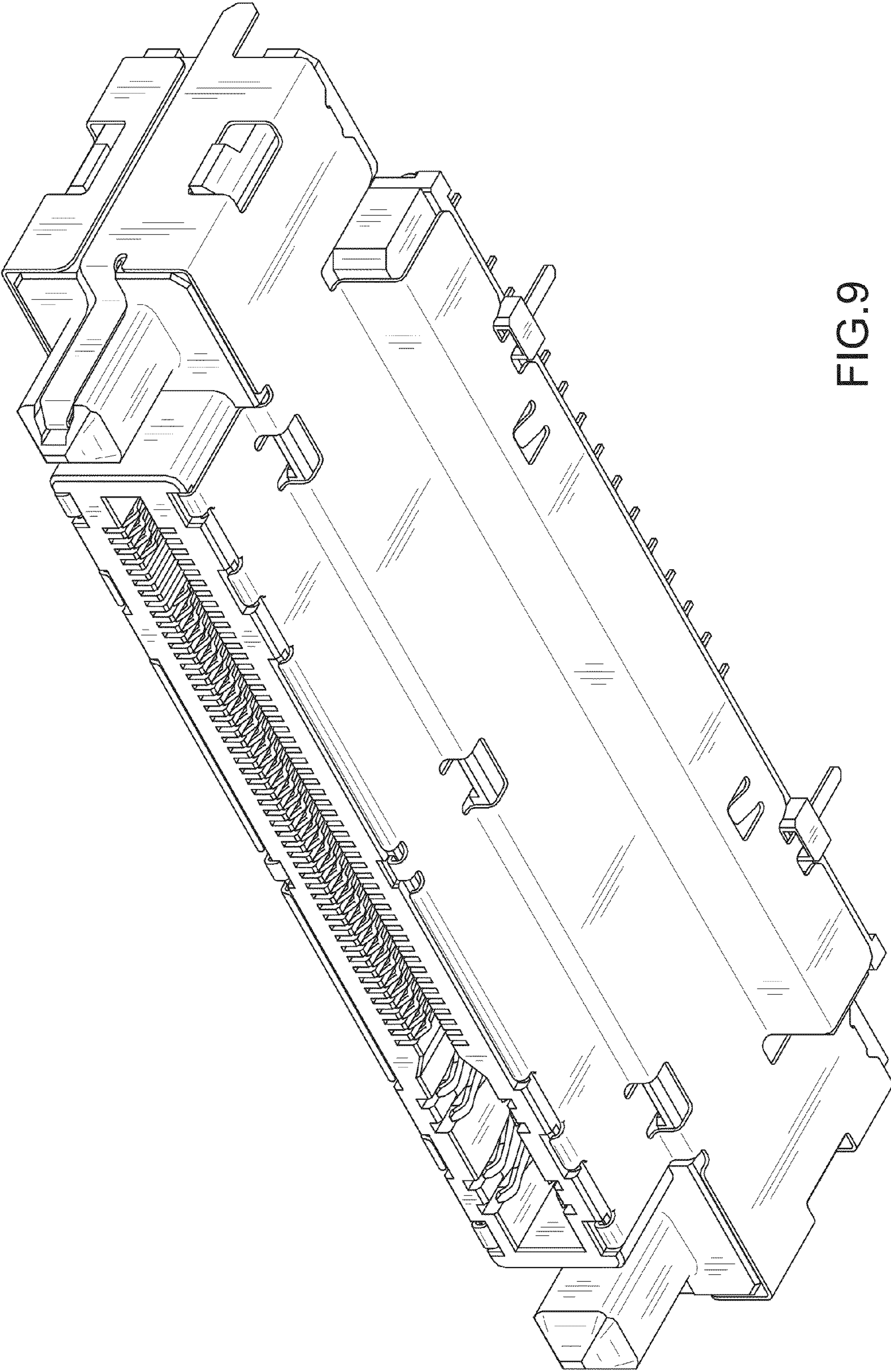


FIG.9

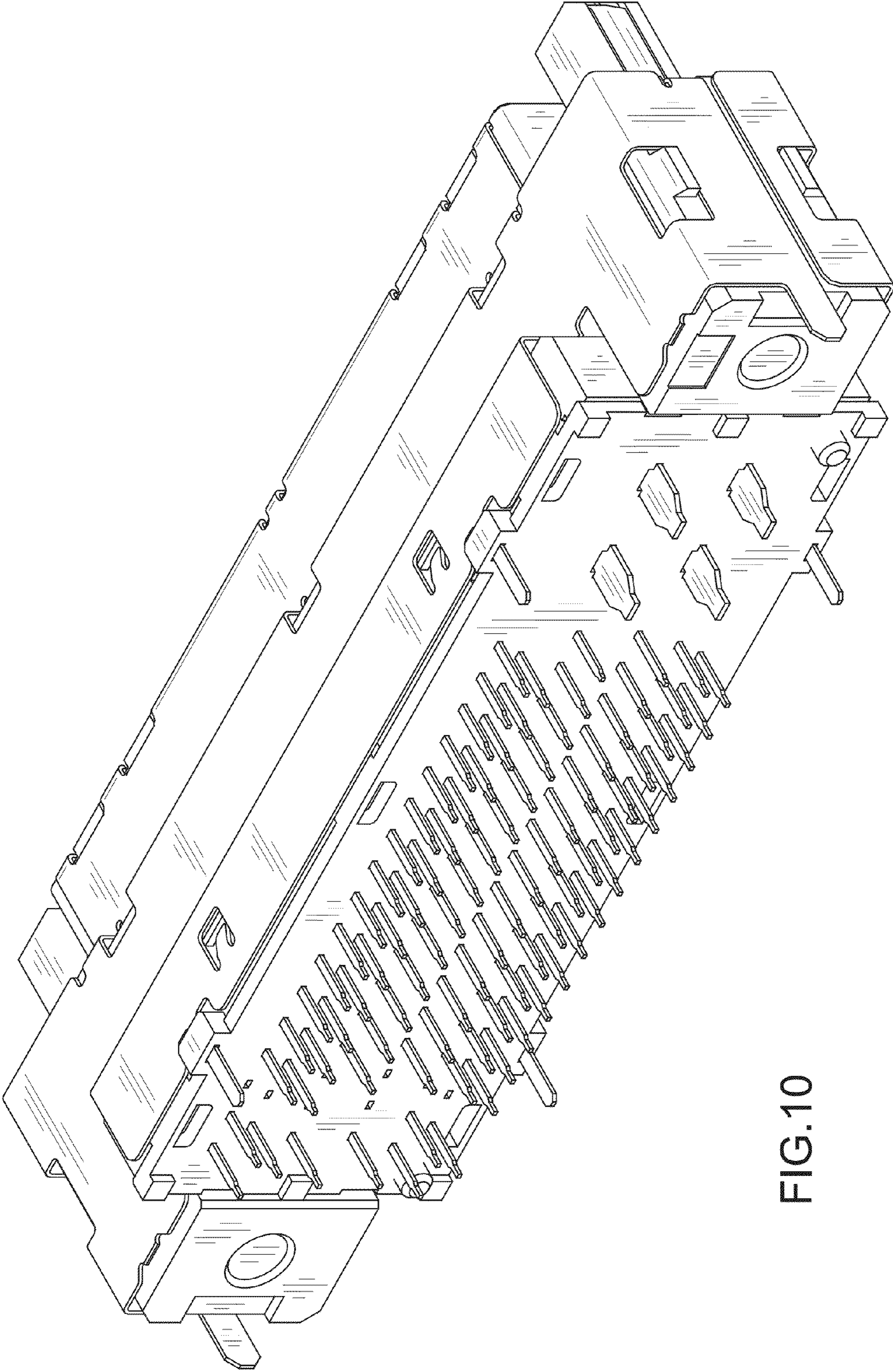


FIG.10