



US00D726654S

(12) **United States Design Patent**  
**Jung et al.**

(10) **Patent No.:** **US D726,654 S**

(45) **Date of Patent:** **\*\* Apr. 14, 2015**

(54) **PLUG CONNECTOR**

(71) Applicant: **Samsung Electronics Co., Ltd.**,  
Suwon-si, Gyeonggi-do (KR)

(72) Inventors: **Youngbin Jung**, Seoul (KR); **Junghyun Shim**, Yongin-si (KR); **Dongbin Tobin Cho**, Sungnam-si (KR); **Seunghwan Choi**, Ujungbu-si (KR)

(73) Assignee: **Samsung Electronics Co., Ltd.** (KR)

(\*\*) Term: **14 Years**

(21) Appl. No.: **29/499,139**

(22) Filed: **Aug. 12, 2014**

(30) **Foreign Application Priority Data**

Feb. 13, 2014 (KR) ..... 30-2014-0007378

(51) **LOC (10) Cl.** ..... **13-03**

(52) **U.S. Cl.**  
USPC ..... **D13/137.2**

(58) **Field of Classification Search**  
USPC ..... D13/137.1–137.3, 138.1, 138.2, 139.7,  
D13/139.4, 152, 199, 145, 146, 110, 108,  
D13/103; 439/655, 172, 337, 694, 131, 171,  
439/476.1, 650–654, 628, 606, 106, 105;  
174/53, 54, 57, 59, 61; 361/679.02;  
D14/496, 480.7, 203.3

See application file for complete search history.

(56) **References Cited**

U.S. PATENT DOCUMENTS

D503,679	S	*	4/2005	Andre et al.	.....	D13/110
D573,946	S	*	7/2008	Ledbetter et al.	.....	D13/110
D595,223	S	*	6/2009	Yamamoto et al.	.....	D13/108
D601,500	S	*	10/2009	Green et al.	.....	D13/110
D602,430	S	*	10/2009	Green et al.	.....	D13/110
D611,415	S	*	3/2010	Andre et al.	.....	D13/138.1
D615,556	S	*	5/2010	Yeo et al.	.....	D14/496
D643,807	S	*	8/2011	Jiang	.....	D13/103
D680,070	S	*	4/2013	Zaslavsky	.....	D13/110
D681,551	S	*	5/2013	Zaslavsky	.....	D13/110
D693,767	S	*	11/2013	Zaslavsky et al.	.....	D13/110
2013/0279101	A1	*	10/2013	Zaslavsky et al.	.....	361/679.02

\* cited by examiner

*Primary Examiner* — Ian Simmons

*Assistant Examiner* — Rhea Shields

(74) *Attorney, Agent, or Firm* — Cantor Colburn LLP

(57) **CLAIM**

We claim, the ornamental design for a plug connector, as shown and described.

**DESCRIPTION**

FIG. 1 is a front perspective view of a plug connector showing our new design;  
FIG. 2 is a front view thereof;  
FIG. 3 is a rear view thereof;  
FIG. 4 is a side view thereof;  
FIG. 5 is another side view thereof;  
FIG. 6 is a top plan view thereof;  
FIG. 7 is a bottom plan view thereof; and,  
FIG. 8 is a rear perspective view thereof.  
In the drawings, the broken lines depict unclaimed environment only and form no part of the claimed design.

**1 Claim, 8 Drawing Sheets**

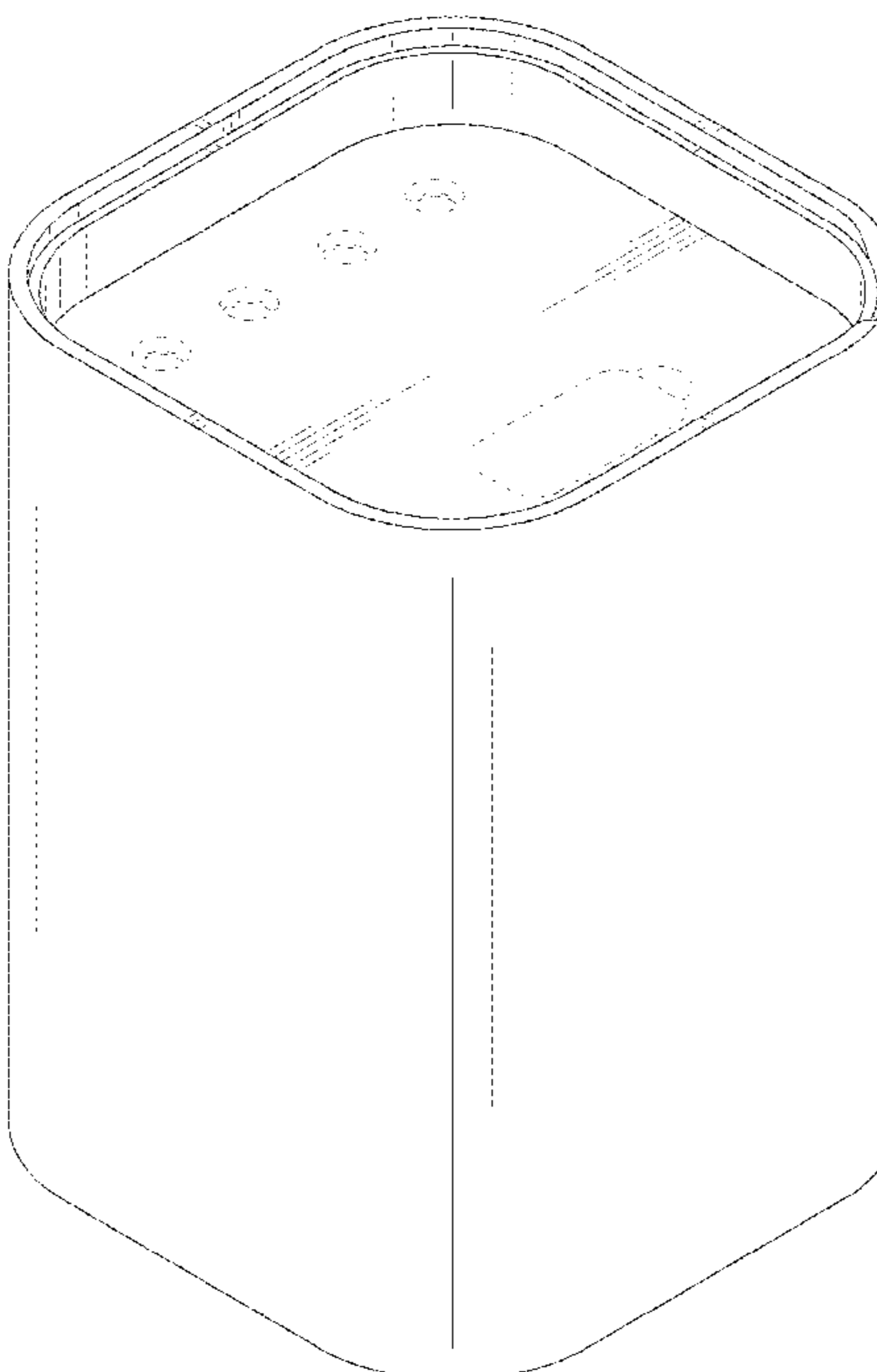


Fig. 1

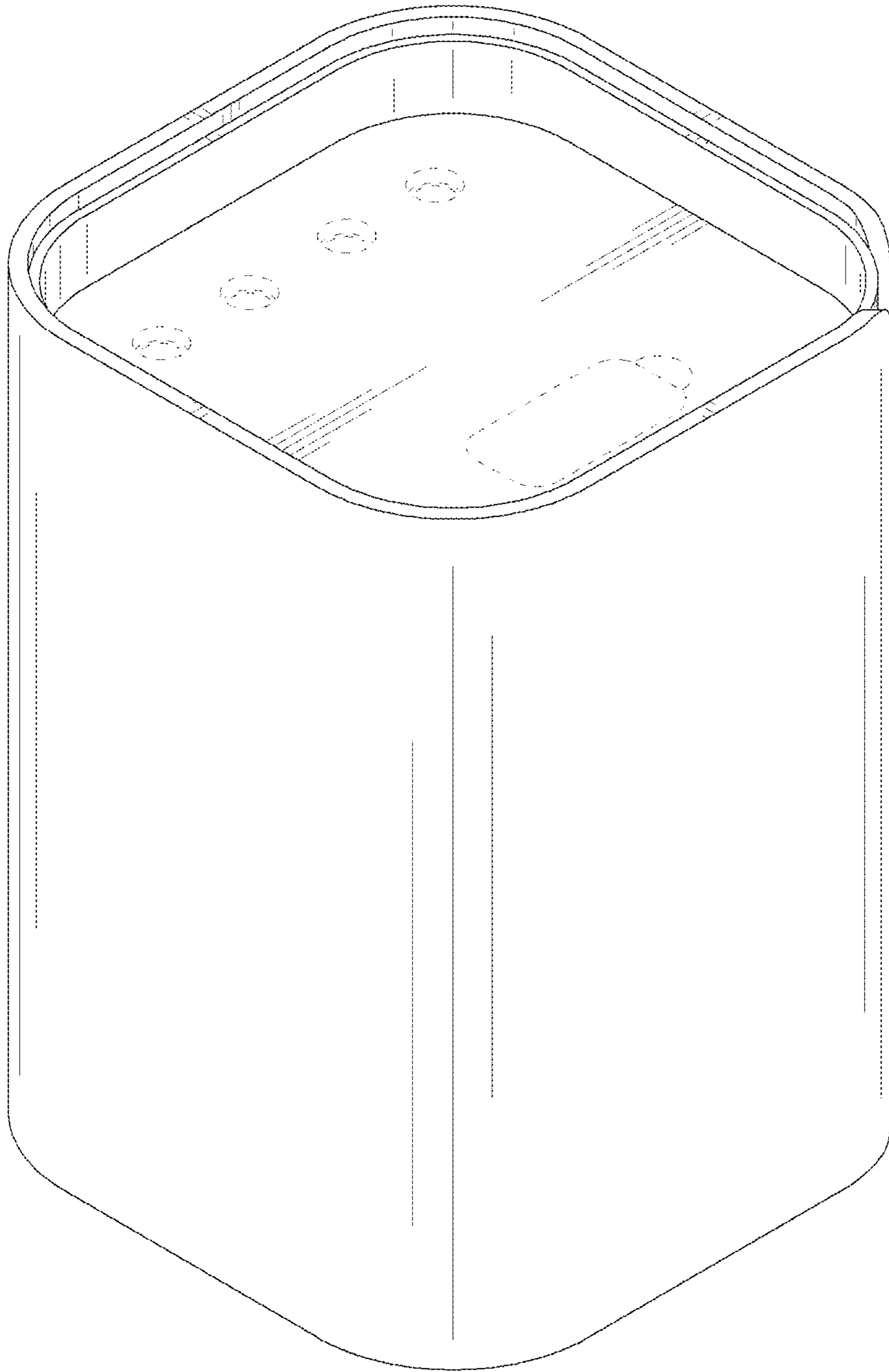
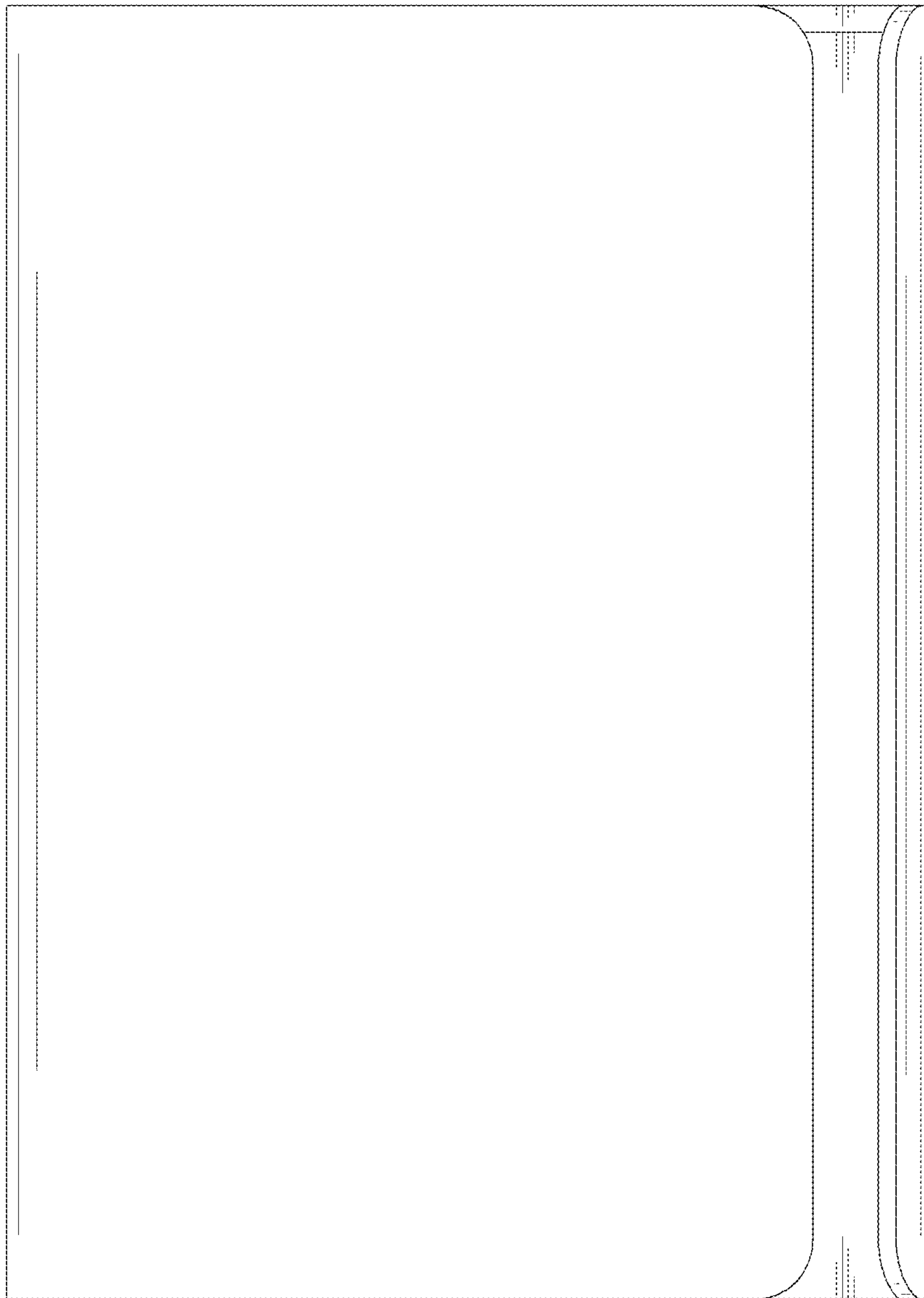


Fig. 2



**Fig. 3**

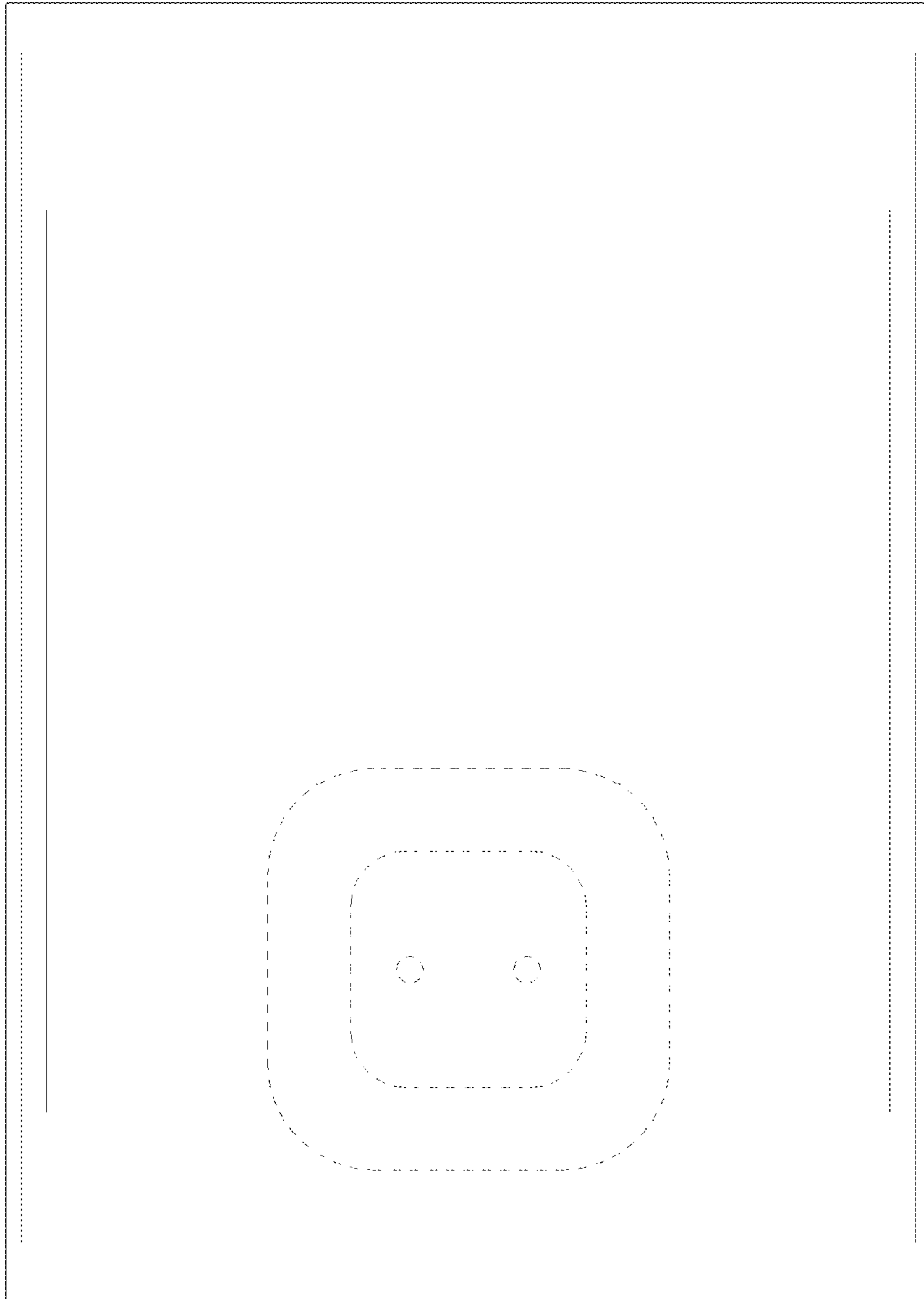


Fig. 4



Fig. 5

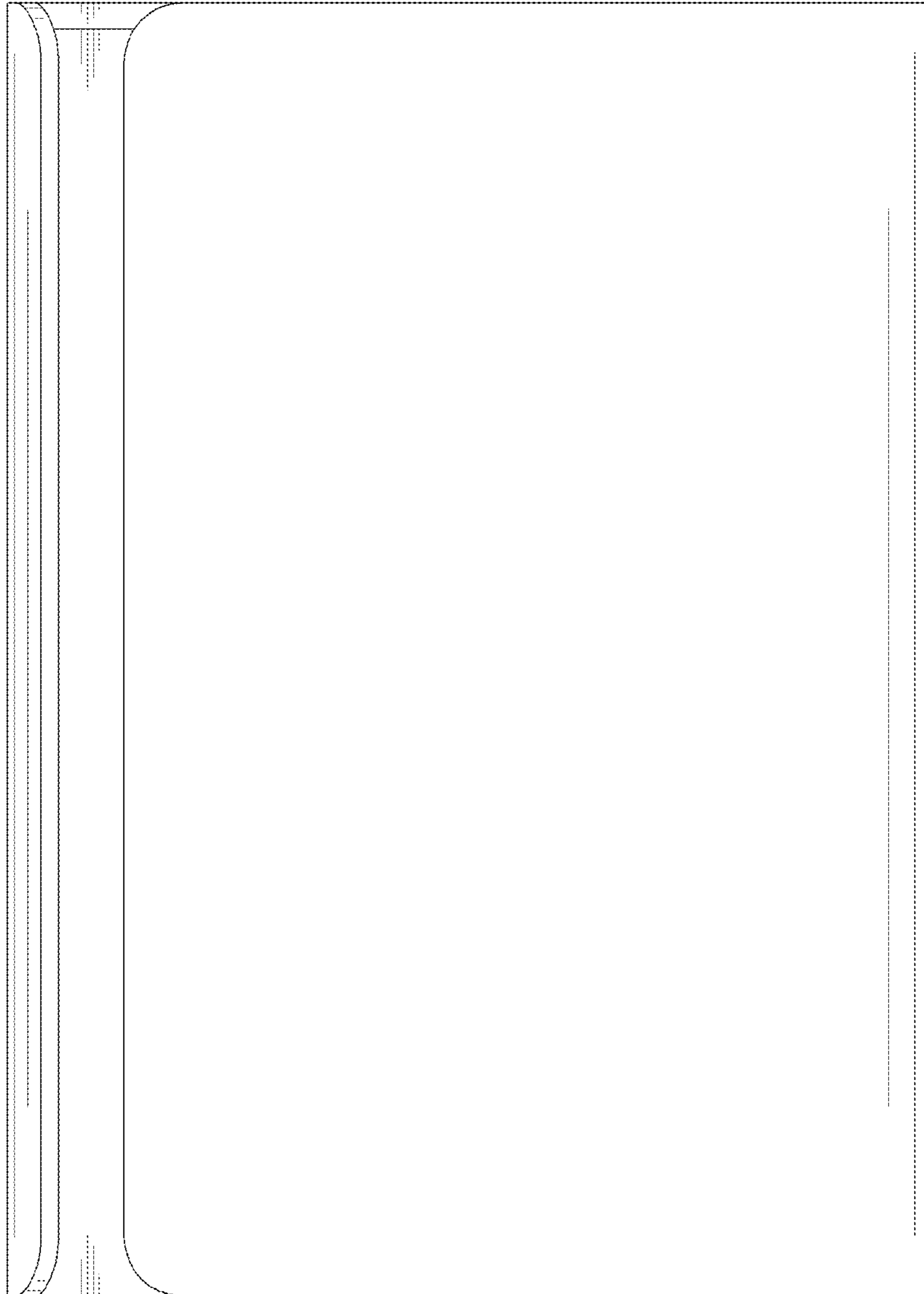


Fig. 6

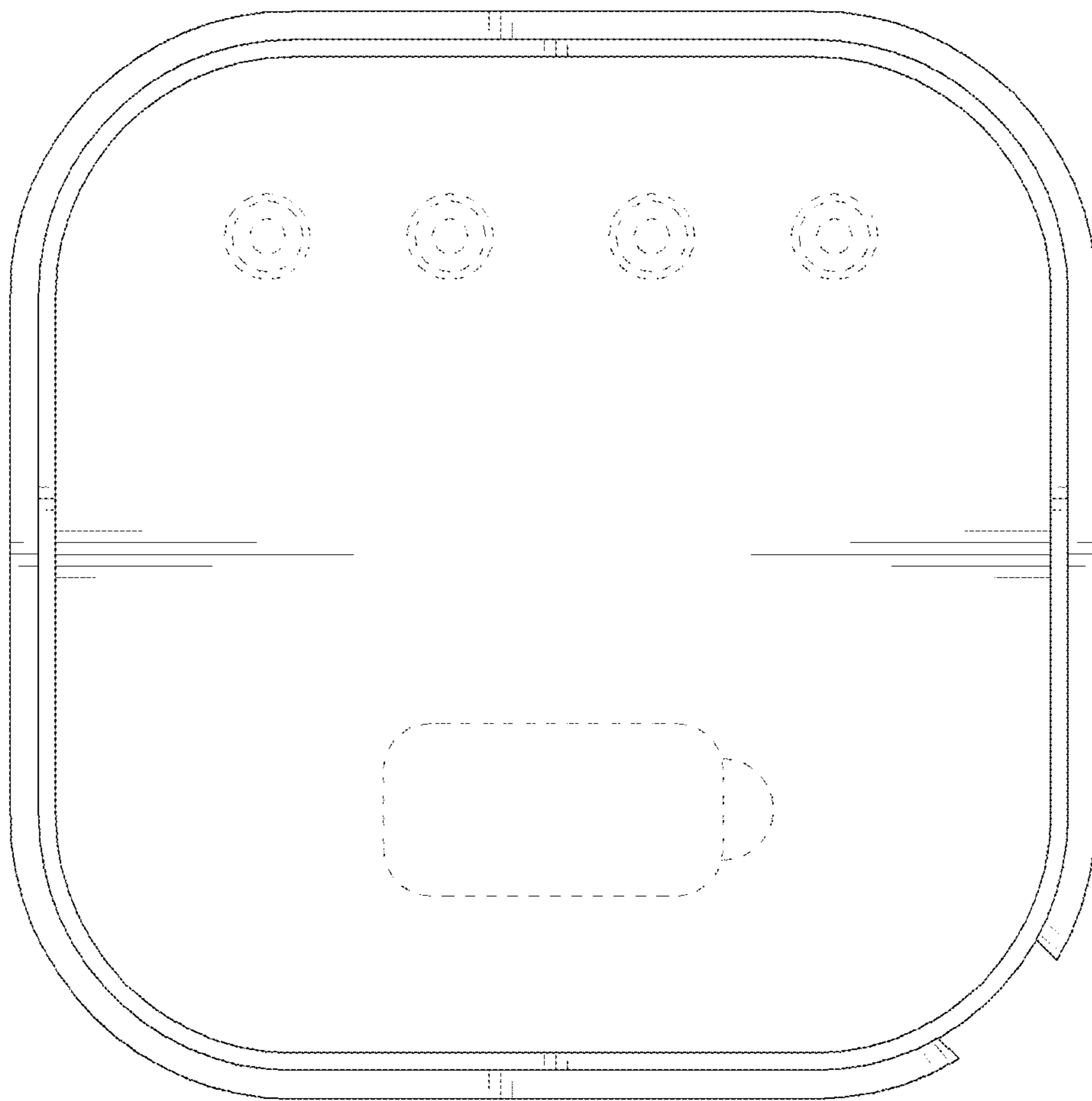


Fig. 7

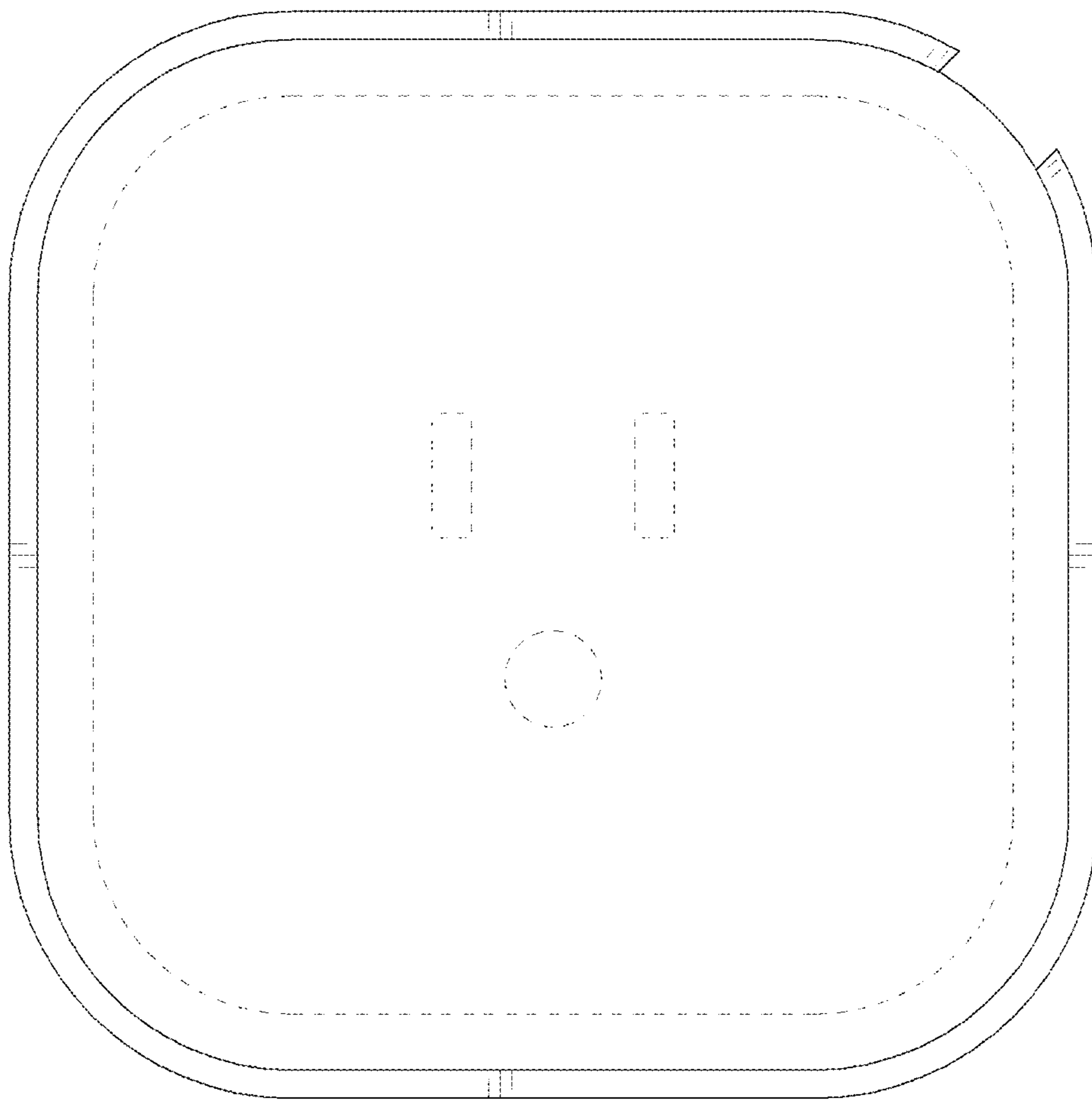




Fig. 8

