



US00D726653S

(12) **United States Design Patent**
Kourtis

(10) **Patent No.:** **US D726,653 S**
(45) **Date of Patent:** **** Apr. 14, 2015**

(54) **ELECTRIC PRONG ADAPTOR**

(71) Applicant: **Robert Kourtis**, Broken Arrow, OK
(US)

(72) Inventor: **Robert Kourtis**, Broken Arrow, OK
(US)

(**) Term: **14 Years**

(21) Appl. No.: **29/486,963**

(22) Filed: **Apr. 4, 2014**

(51) **LOC (10) Cl.** **13-03**

(52) **U.S. Cl.**
USPC **D13/137.1**

(58) **Field of Classification Search**
USPC D13/137.1-137.2, 138.2, 110, 139.1,
D13/108, 147; 368/172, 106, 131, 173
See application file for complete search history.

(56) **References Cited**

U.S. PATENT DOCUMENTS

3,061,716	A	10/1962	Benander	
D194,105	S *	11/1962	More	D13/137.2
D209,403	S *	11/1967	Watanabe	D13/110
D222,262	S	10/1971	Hartford	
3,813,640	A	5/1974	Carissimi	
3,975,075	A	8/1976	Mason	
D251,293	S *	3/1979	Trueblood	D13/137.2
D277,370	S *	1/1985	Gehr et al.	D13/137.2
D292,700	S *	11/1987	Rauch	D13/137.1
4,927,376	A	5/1990	Dickie	
5,320,542	A	6/1994	Cheng	
D375,292	S *	11/1996	D'Amato	D13/137.1
D400,856	S *	11/1998	Cheung	D13/138.2
6,062,884	A	5/2000	Messimer et al.	
6,302,717	B1 *	10/2001	Cheung	439/172
6,328,581	B1 *	12/2001	Lee et al.	439/106

(Continued)

FOREIGN PATENT DOCUMENTS

GB 2220803 1/1990

Primary Examiner — Joel Sincavage

Assistant Examiner — Rhea Shields

(74) *Attorney, Agent, or Firm* — Head, Johnson & Kachigian, P.C.

(57) **CLAIM**

The ornamental design for an electric prong adaptor, as shown and described.

DESCRIPTION

FIG. 1 is a front view of a first preferred embodiment of an electric prong adaptor constructed in accordance with the present invention shown inserted in an electrical outlet receptacle with the receptacle shown in dashed lines;

FIG. 2 is a perspective view of the electric prong adaptor shown in FIG. 1;

FIG. 3 is a top view of the electric prong adaptor shown in FIG. 1;

FIG. 4 is a rear view of the electric prong adaptor shown in FIG. 1;

FIG. 5 is a left side view of the electric prong adaptor shown in FIG. 1 (the right side view being a mirror image thereof);

FIG. 6 is a bottom view of the electric prong adaptor shown in FIG. 1;

FIG. 7 is a front view of a second preferred embodiment of an electric prong adaptor shown inserted in an electrical outlet receptacle with the receptacle shown in dashed lines;

FIG. 8 is a perspective view of the electric prong adaptor shown in FIG. 7;

FIG. 9 is a top view of the electric prong adaptor shown in FIG. 7;

FIG. 10 is a rear view of the electric prong adaptor shown in FIG. 7;

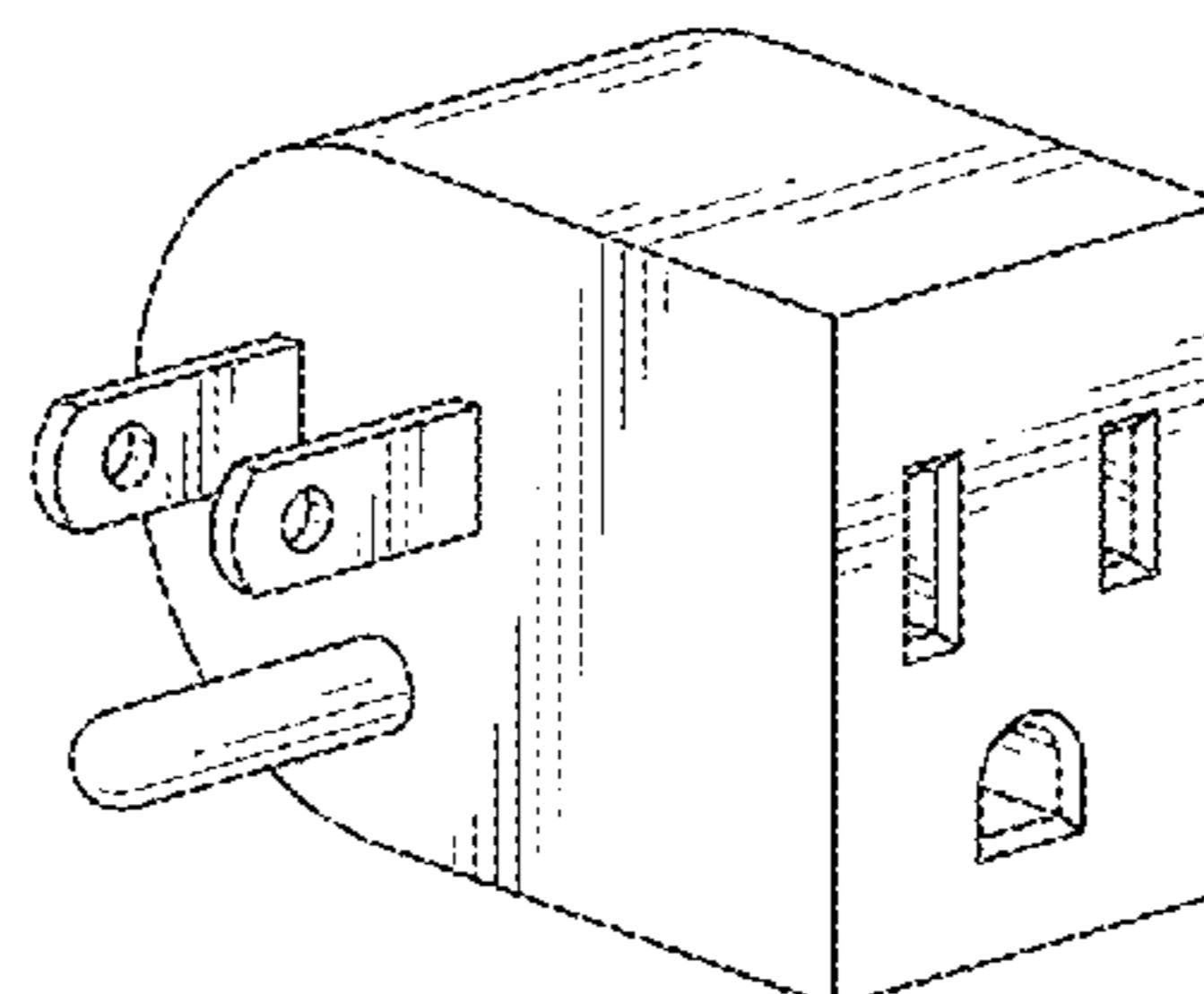
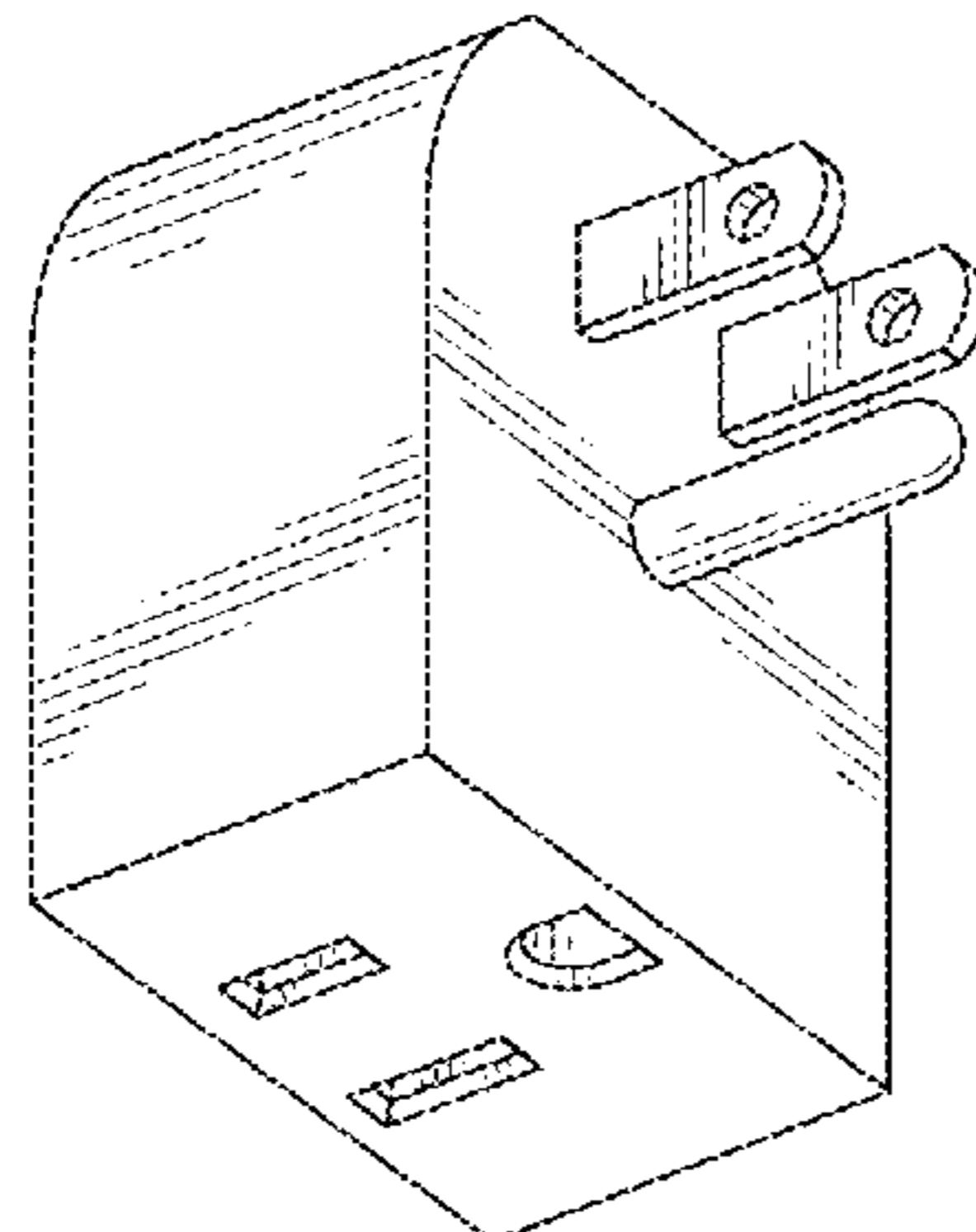
FIG. 11 is a left side view of electric prong adaptor shown in FIG. 7;

FIG. 12 is a bottom view of the electric prong adaptor shown in FIG. 7; and,

FIG. 13 is a right side view of the electric prong adaptor shown in FIG. 7.

In FIGS. 1 and 7, the broken lines depict unclaimed subject matter only and form no part of the claimed design.

1 Claim, 4 Drawing Sheets



(56)

References Cited

U.S. PATENT DOCUMENTS

D462,056 S *	8/2002	Chung	D13/137.1	7,845,951 B1	12/2010	Goon	
D474,744 S *	5/2003	Wu	D13/137.1	8,096,817 B2	1/2012	Lee et al.	
6,821,134 B2 *	11/2004	Chen	439/131	D654,435 S *	2/2012	Lee D13/138.2
7,070,426 B2	7/2006	DeCell, Jr. et al.			8,123,528 B2	2/2012	Devlin et al.	
7,220,136 B1	5/2007	Green			D655,244 S *	3/2012	Au D13/108
D549,650 S *	8/2007	Russell et al.	D13/137.2	D700,144 S *	2/2014	Benedict et al. D13/147
D559,783 S	1/2008	Matzdorff et al.			D701,836 S *	4/2014	Byrne D13/139.1
D564,964 S *	3/2008	Caine et al.	D13/137.1	D702,182 S *	4/2014	Druker et al. D13/110
D596,571 S	7/2009	Green			D702,639 S *	4/2014	Ruffner D13/139.1
7,604,511 B1	10/2009	Johnson			8,708,722 B1 *	4/2014	Walliser et al. 439/172
7,651,365 B2	1/2010	Chien			D706,220 S *	6/2014	Zaslavsky et al. D13/137.2
D614,574 S *	4/2010	Thommes	D13/139.1	D707,626 S *	6/2014	Atkinson et al. D13/110
					2004/0142601 A1	7/2004	Luu	
					2007/0123108 A1	5/2007	Ivanova et al.	
					2014/0199867 A1 *	7/2014	Rogers 439/173

* cited by examiner

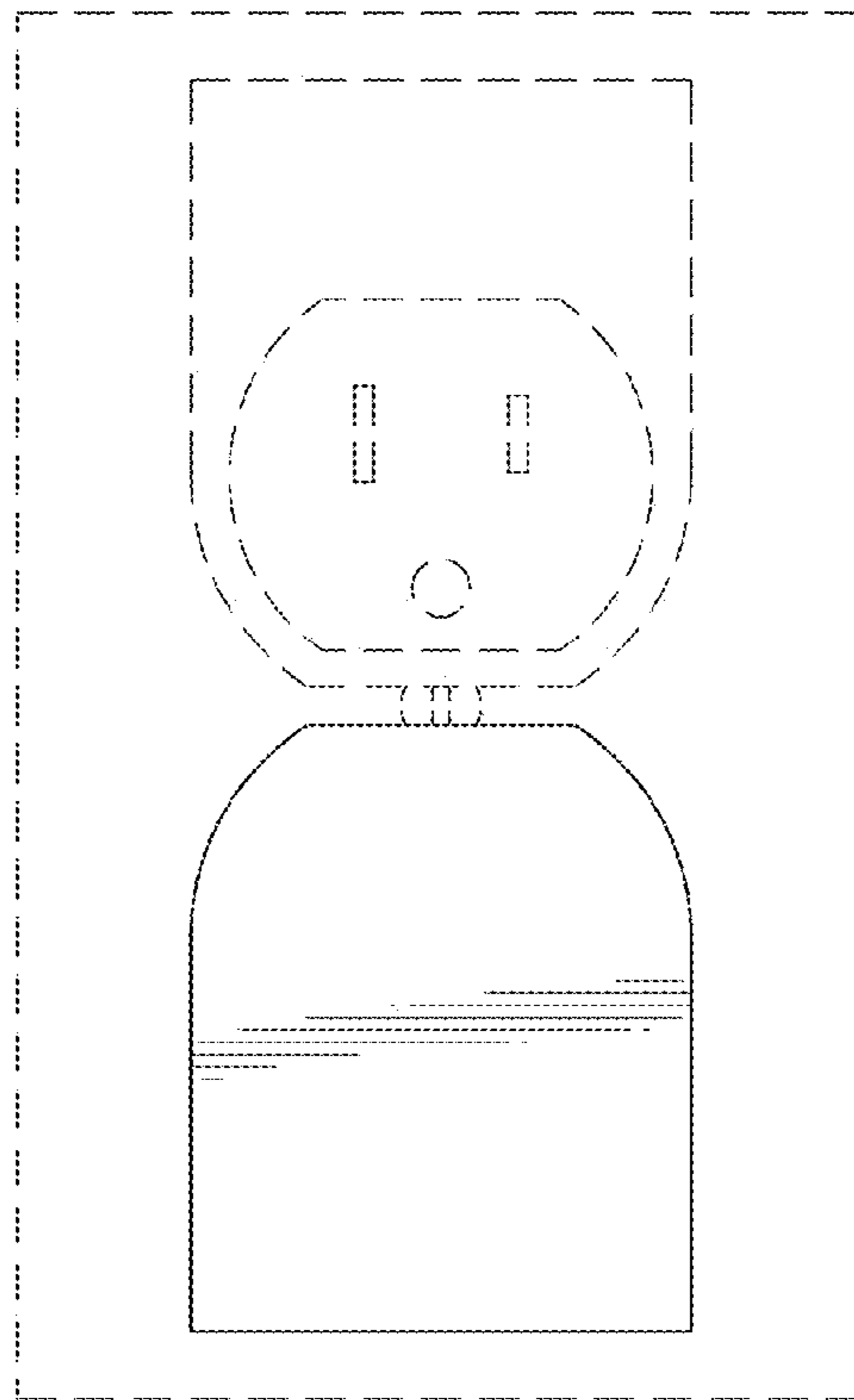


FIG. 1

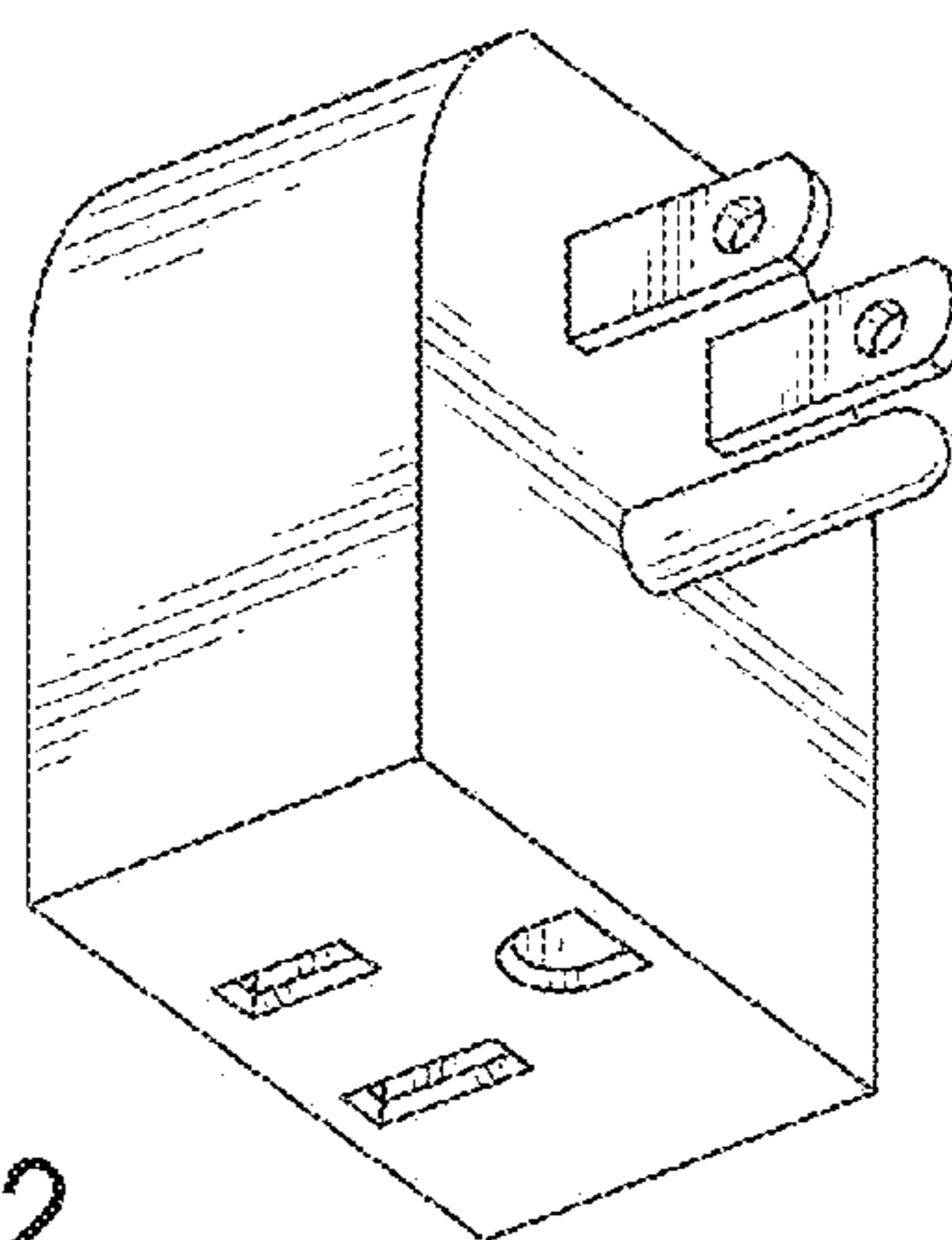


FIG. 2

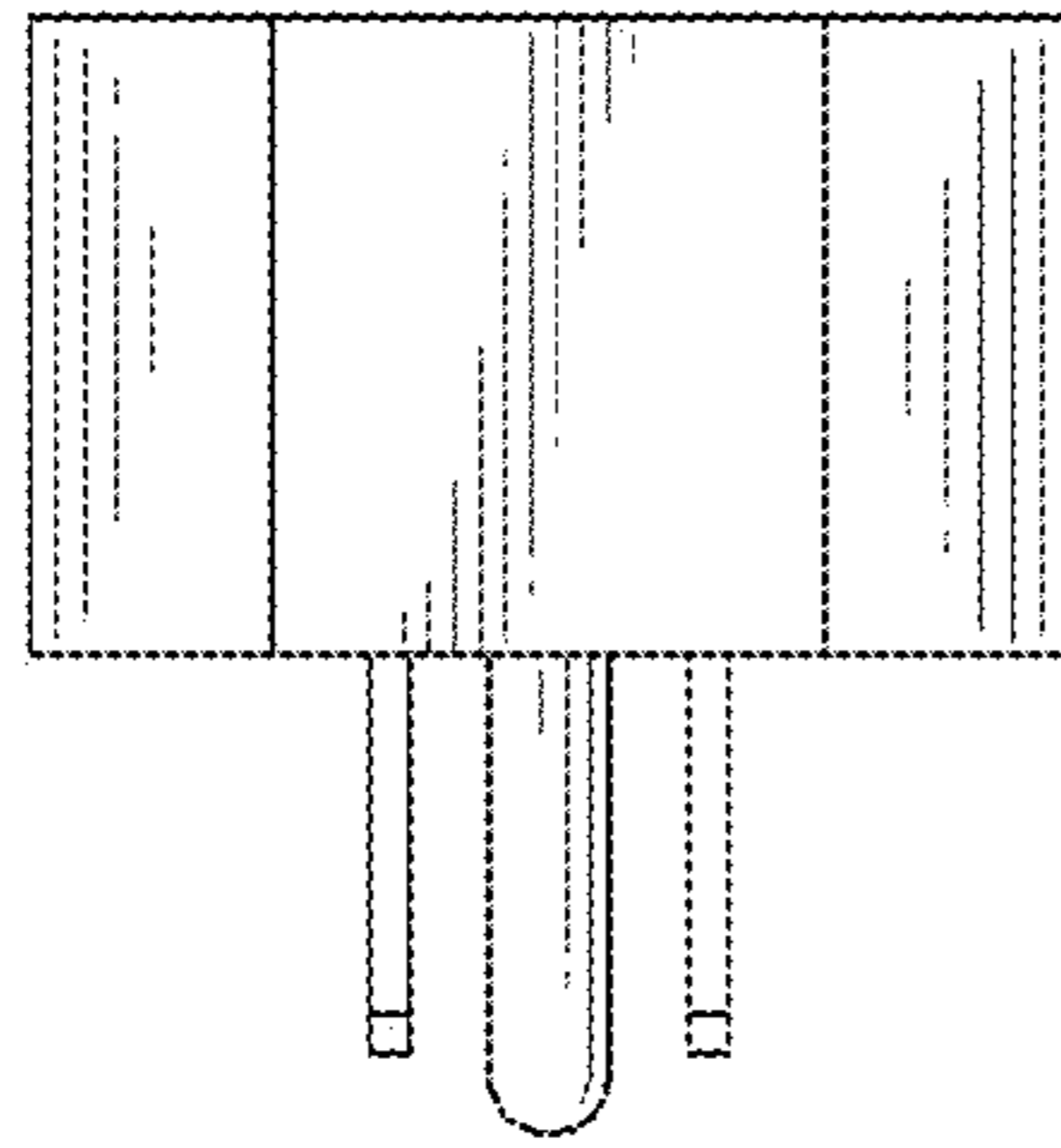


FIG. 3

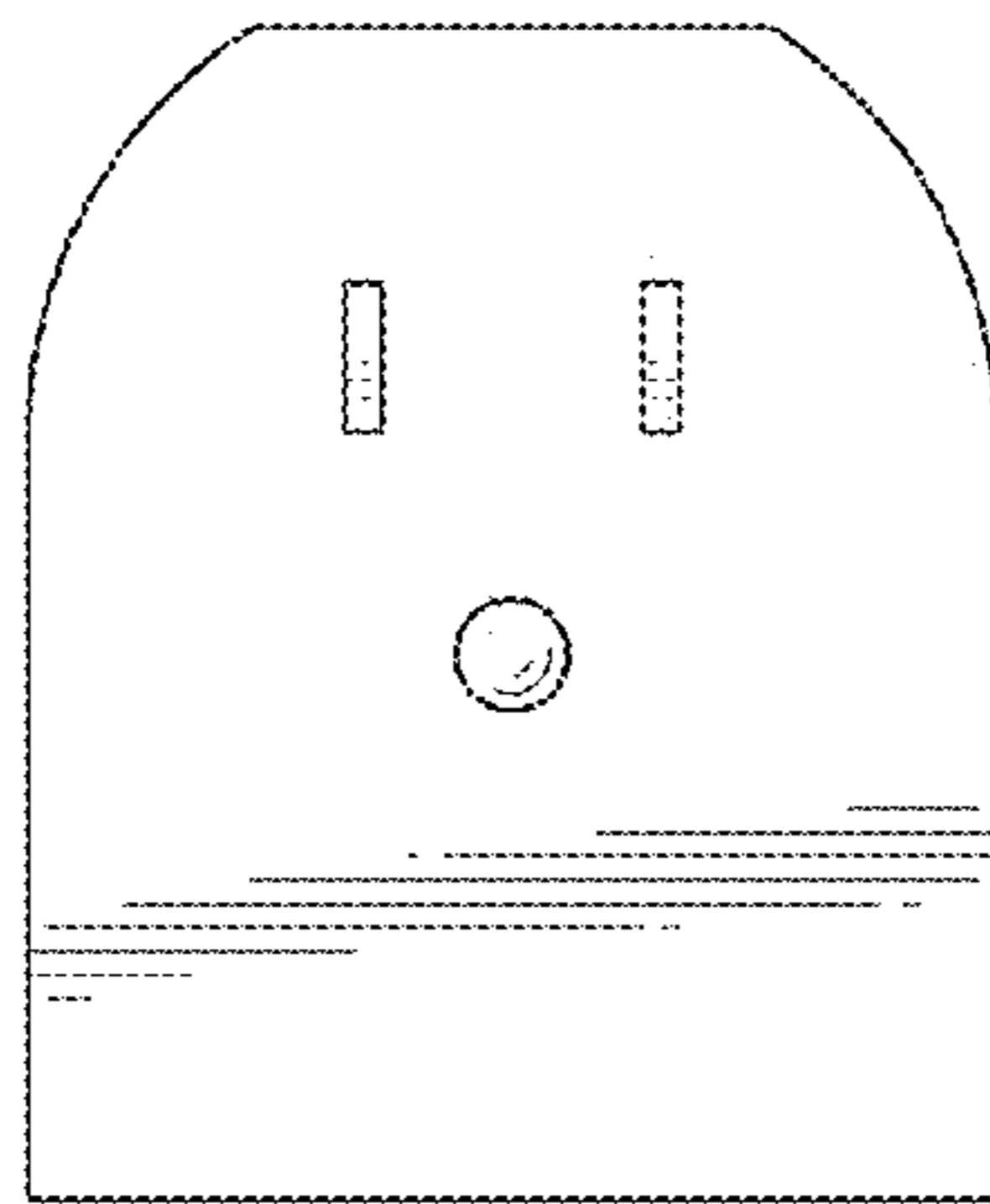


FIG. 4

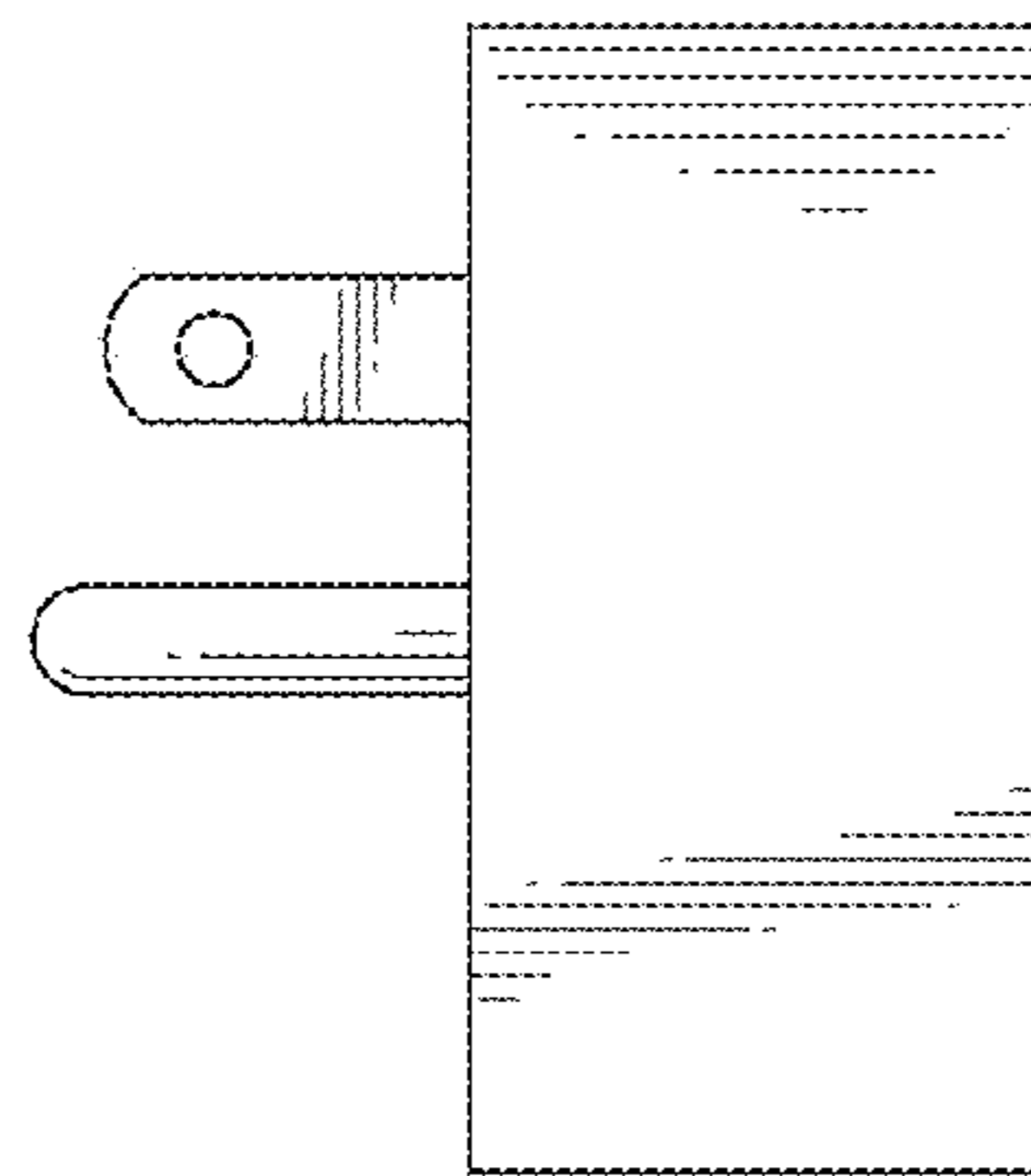


FIG. 5

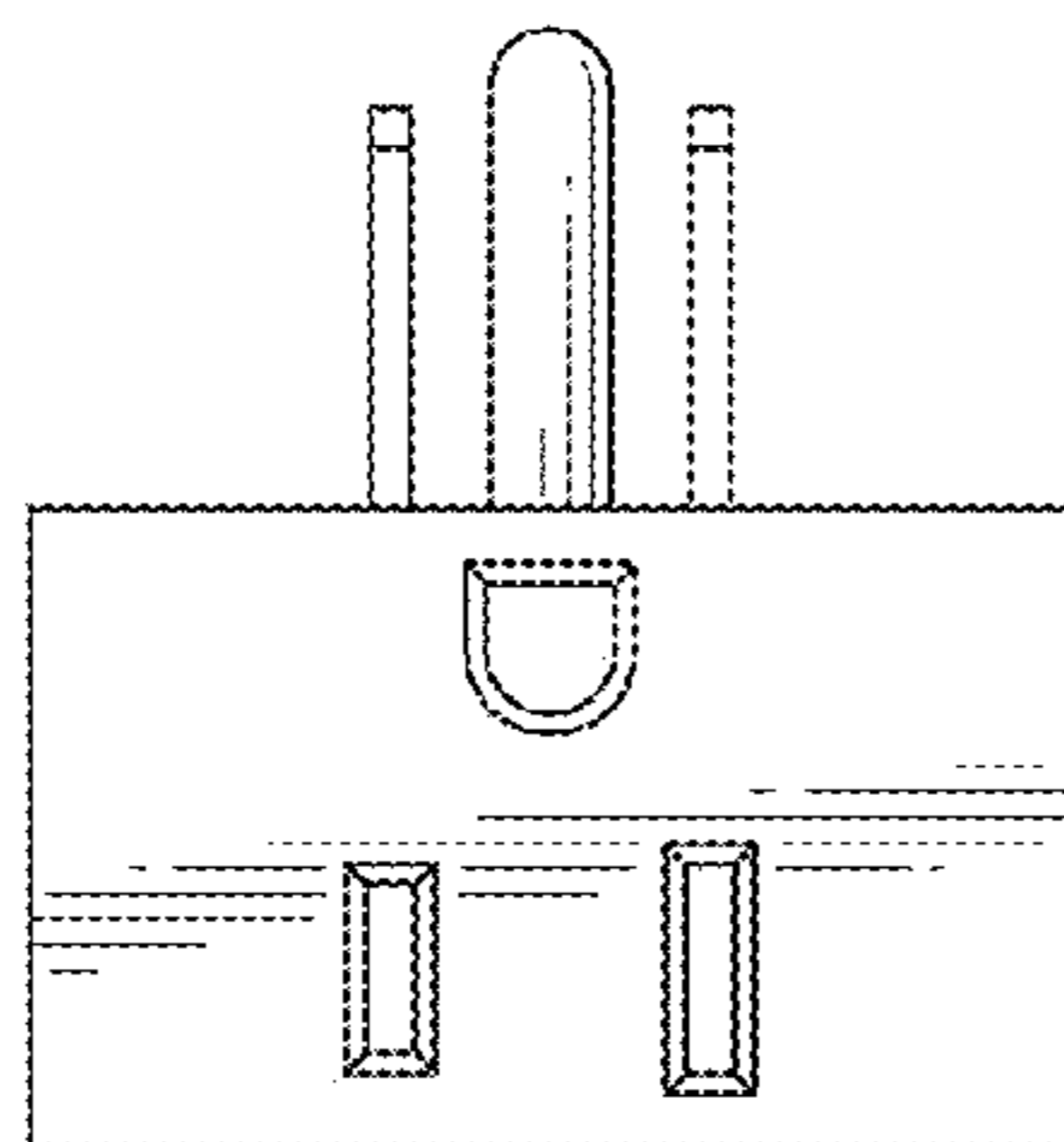


FIG. 6

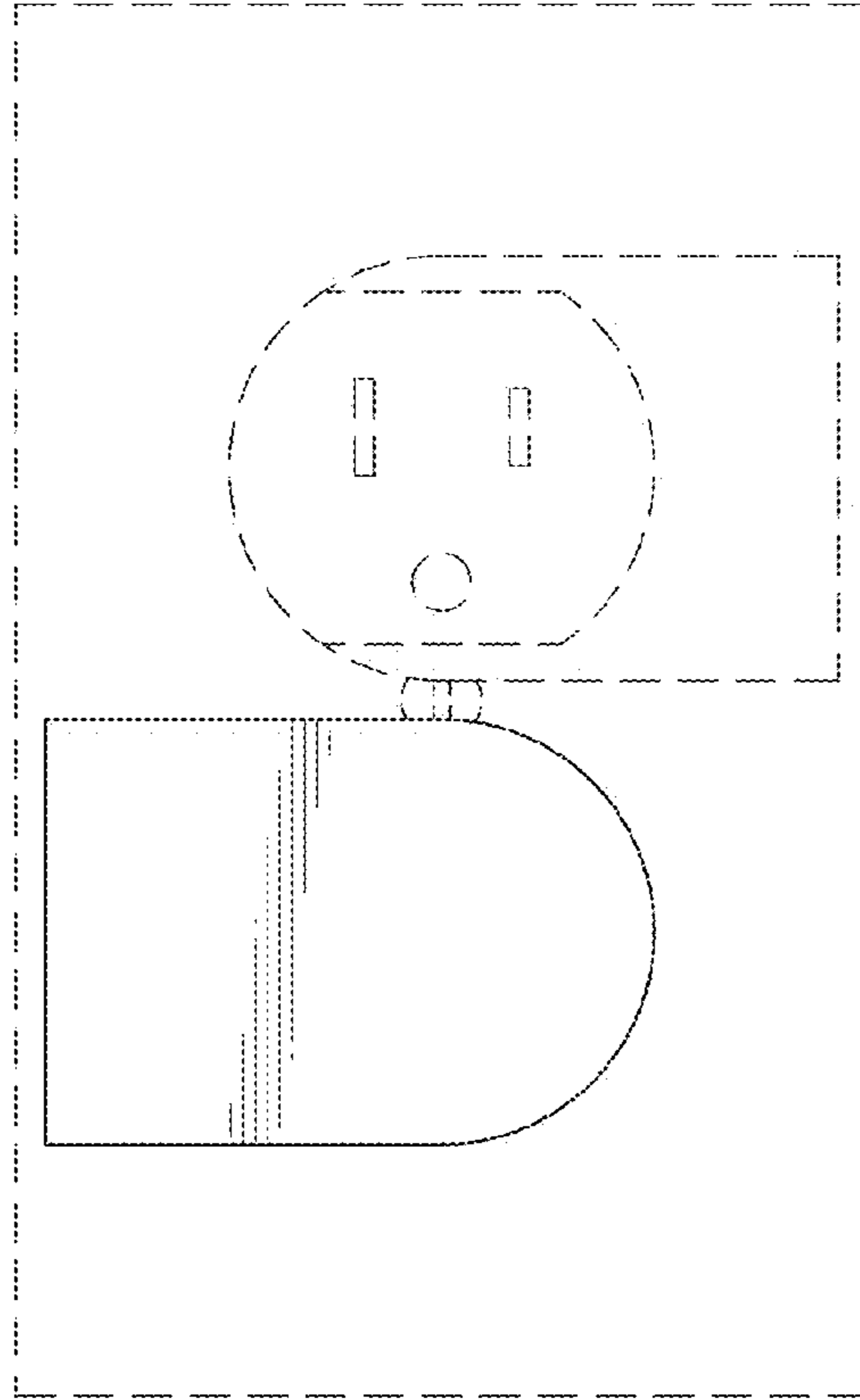


FIG. 7

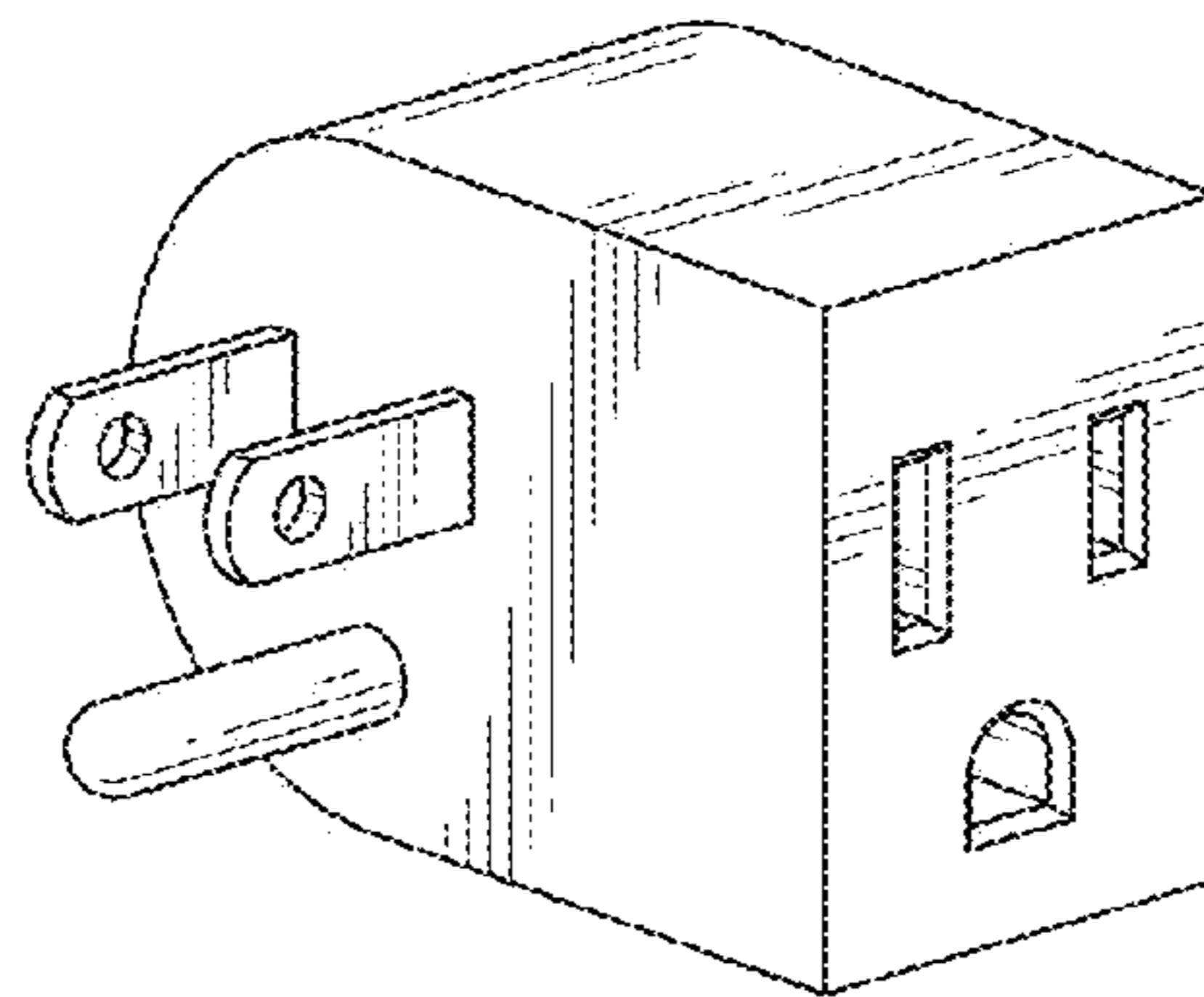


FIG. 8

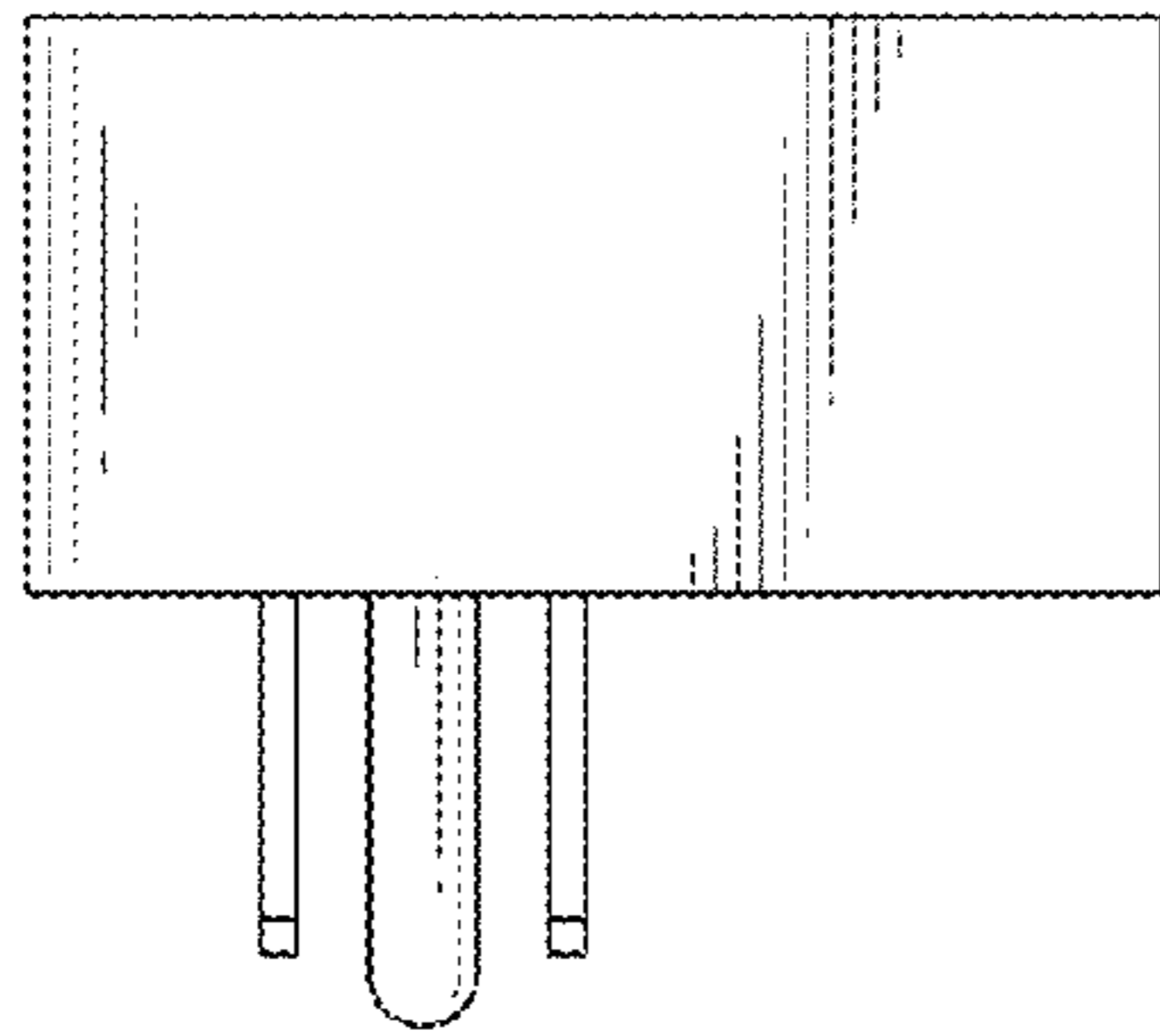


FIG. 9

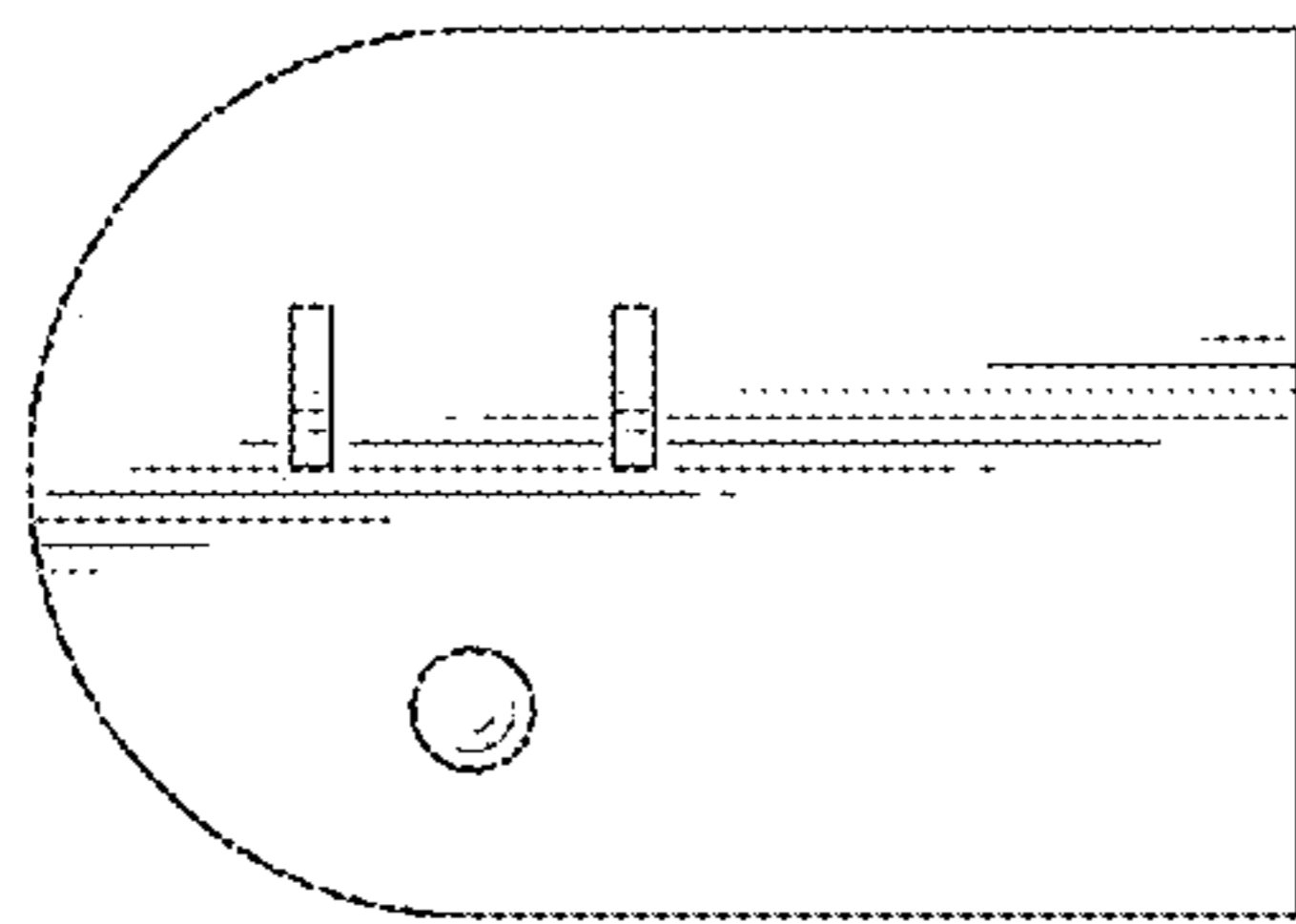


FIG. 10

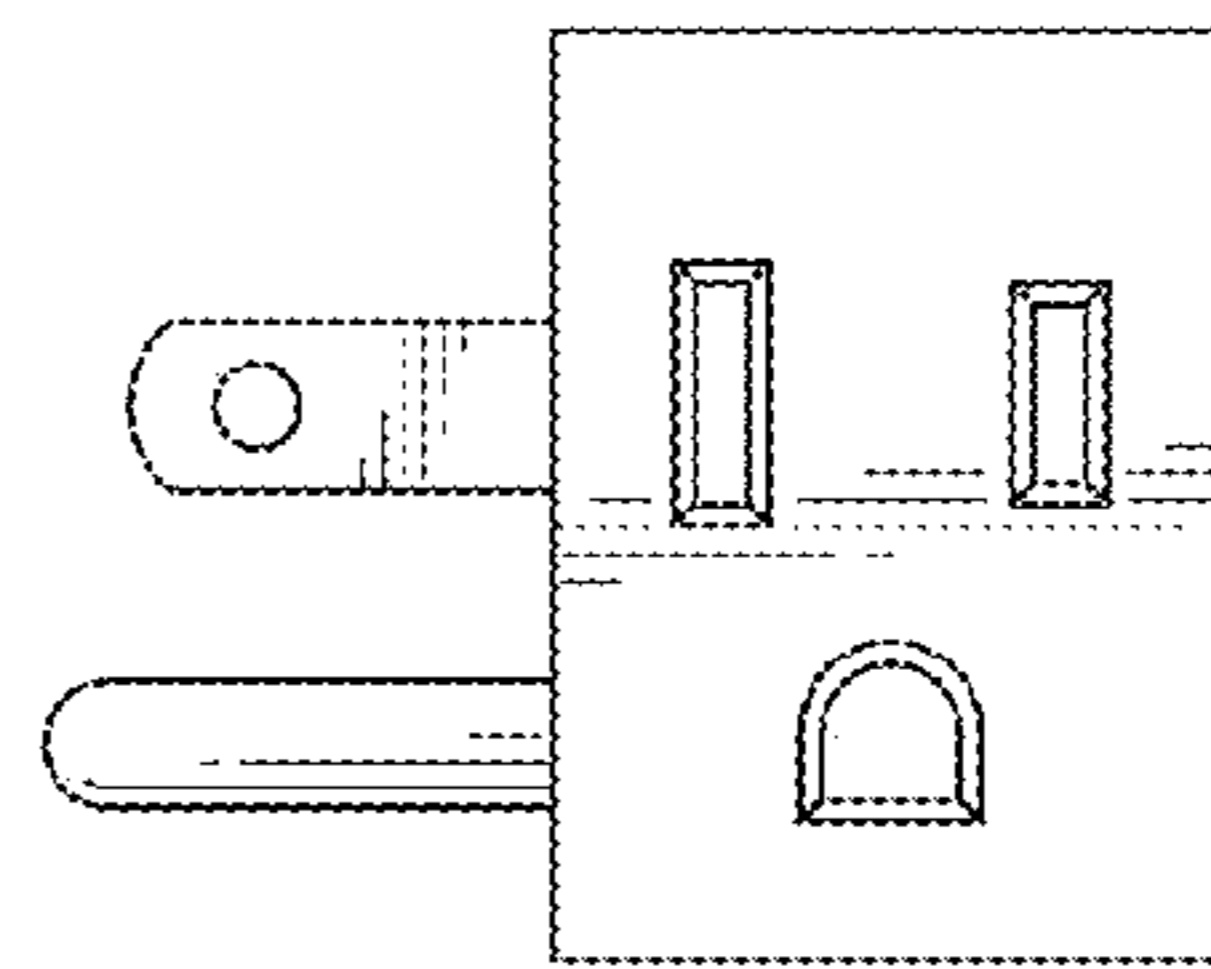


FIG. 11

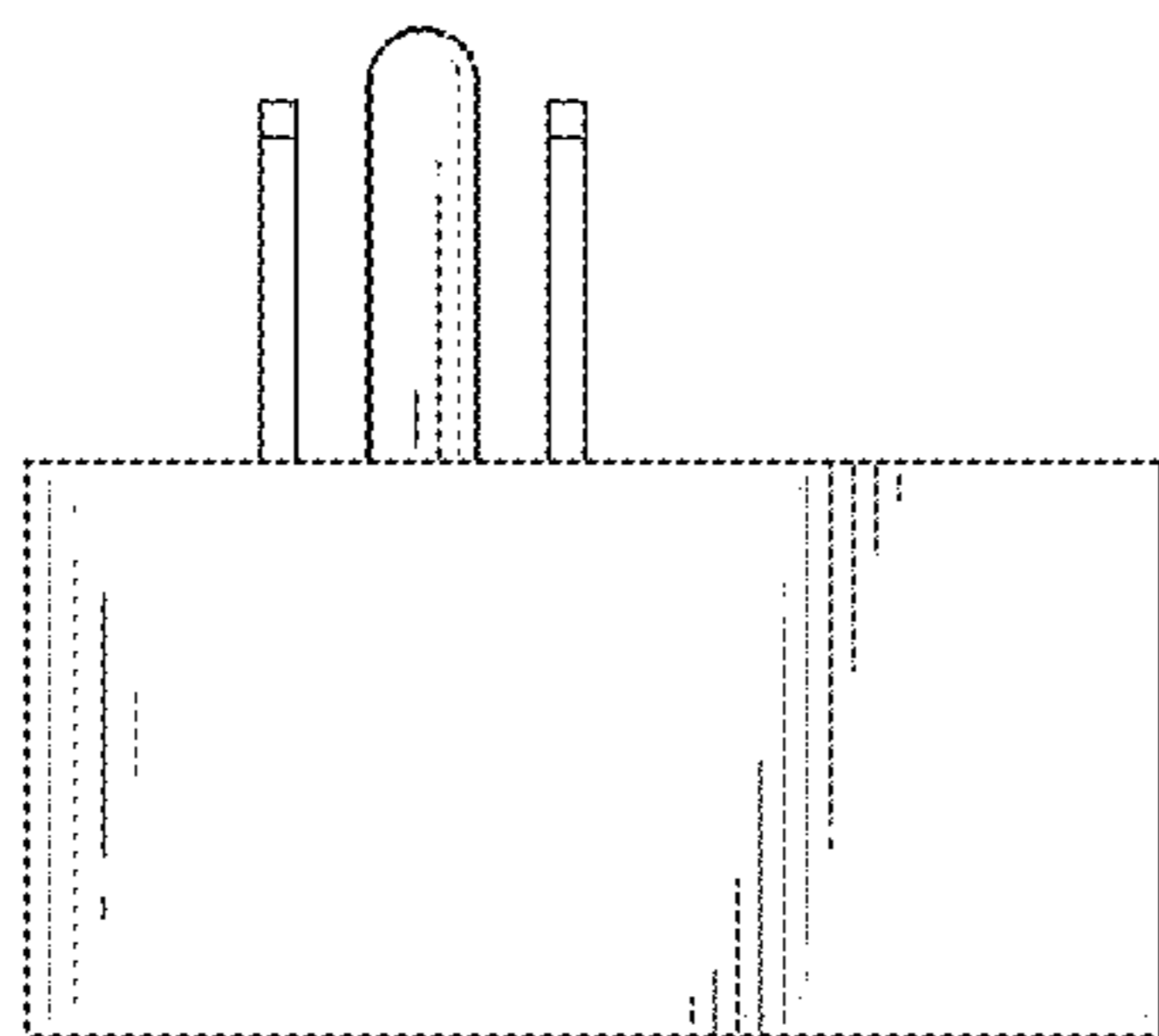


FIG. 12

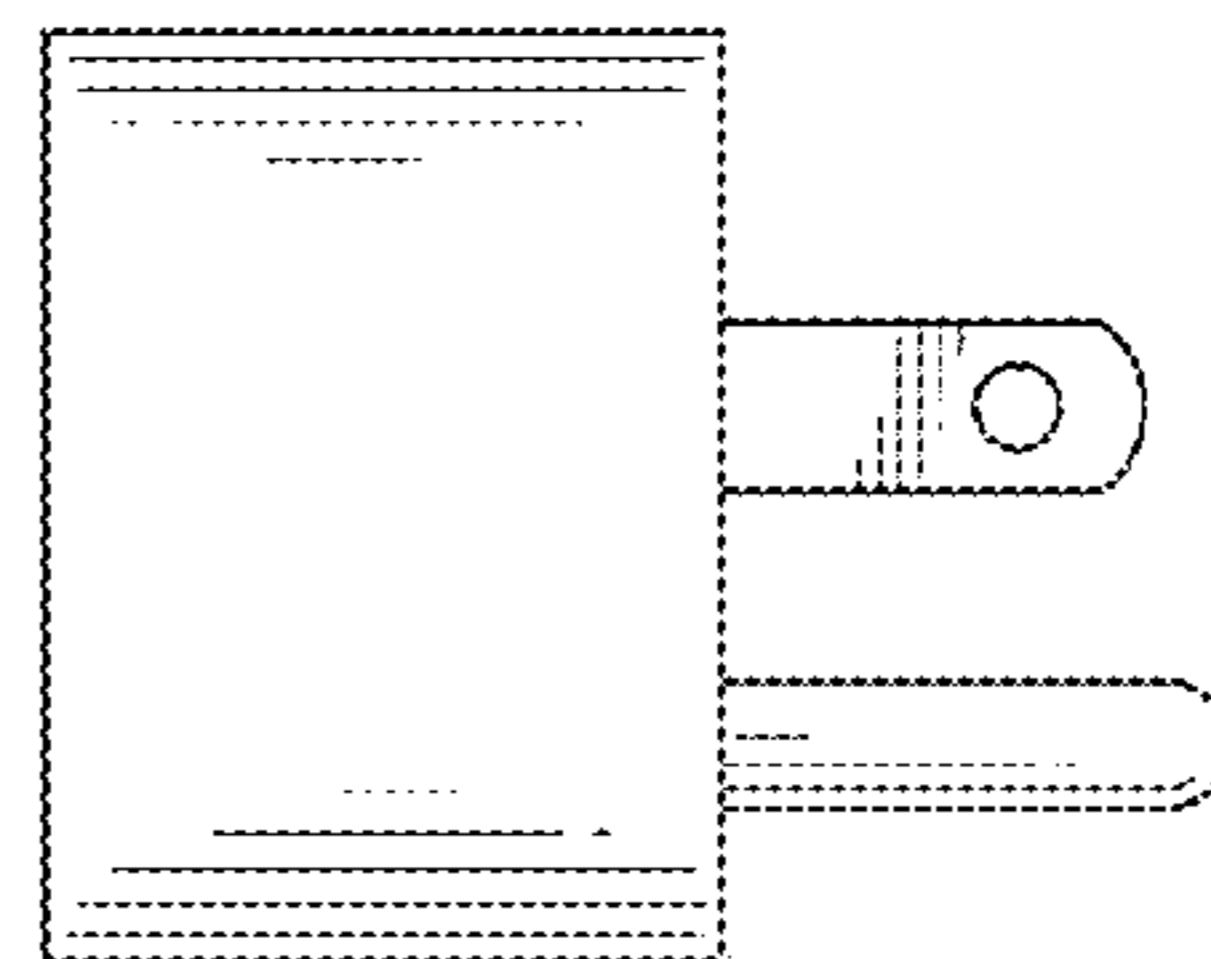


FIG. 13