

US00D726652S

(12) **United States Design Patent**
Maurer et al.

(10) **Patent No.:** **US D726,652 S**
(45) **Date of Patent:** **** Apr. 14, 2015**

(54) **POWER UNIT**

(71) Applicant: **Parker-Hannifin Corporation**,
Cleveland, OH (US)

(72) Inventors: **Garrett M. Maurer**, Maplewood, MN
(US); **James R. Prazak**, White Bear
Lake, MN (US)

(73) Assignee: **Parker-Hannifin Corporation**,
Cleveland, OH (US)

(**) Term: **14 Years**

(21) Appl. No.: **29/454,988**

(22) Filed: **May 16, 2013**

(51) **LOC (10) Cl.** **13-03**

(52) **U.S. Cl.**
USPC **D13/123**

(58) **Field of Classification Search**

CPC H01H 11/00; H01H 19/02; H01H 19/10;
H01H 19/28; H01H 19/36; H01H 19/64;
H01H 1/06; H01H 1/2041; H01H 1/42;
H01H 2071/0292; H01H 2071/042; H01H
33/08; H01H 33/12; H01H 33/42; H01H 3/30;
H01H 3/3015; H01H 71/025; H01H 71/04;
H01H 71/1054; H01H 9/167; H01H 9/281;
H01H 9/282; H05K 7/1432; H01G 9/008;
H01G 4/32; H01G 9/10; H01G 4/28; A61N
1/3975; F15B 15/1428; F15B 11/0365;
F15B 15/084; F15B 15/1414; F15B 15/1433;
F15B 2211/7056; Y02E 60/13; H01T 13/08;
H01T 13/06; H01T 13/20; A61G 7/1019;
A61G 7/1044; A61G 7/1076
USPC D13/110, 112, 122-128, 133, 147,
D13/158-160, 162, 184, 199; D14/300,
D14/308, 311-314, 348, 349, 356; 60/476;
137/343; 200/43.14, 50.01,
200/50.21-50.23; 361/44, 115, 608, 634,
361/679.01

See application file for complete search history.

(56) **References Cited**

U.S. PATENT DOCUMENTS

D176,755 S * 1/1956 Coutts et al. D13/125
D201,358 S * 6/1965 Robertson D13/125
D531,643 S * 11/2006 Tischler et al. D15/7
D623,201 S * 9/2010 Yu D15/7
D644,666 S * 9/2011 Fukano et al. D15/7
8,161,742 B2 * 4/2012 Sweeney et al. 60/476
D691,566 S * 10/2013 Hashimoto et al. D13/158
8,569,917 B2 * 10/2013 Tang et al. 310/75 R
D715,841 S * 10/2014 Comben et al. D15/143
2011/0289912 A1 * 12/2011 Olson et al. 60/462

* cited by examiner

Primary Examiner — Thomas Johannes
Assistant Examiner — Shawn T Gingrich

(74) *Attorney, Agent, or Firm* — Renner, Otto, Boisselle &
Sklar, LLP

(57) **CLAIM**

The ornamental design for a power unit, as shown and
described.

DESCRIPTION

FIG. 1 is a perspective view of a power unit showing our new
design.

FIG. 2 is a second perspective view thereof.

FIG. 3 is a third perspective view thereof.

FIG. 4 is a fourth perspective view thereof.

FIG. 5 is a fifth perspective view thereof.

FIG. 6 is a sixth perspective view thereof.

FIG. 7 is a front view thereof.

FIG. 8 is a rear view thereof.

FIG. 9 is a left side view thereof.

FIG. 10 is a right side view thereof.

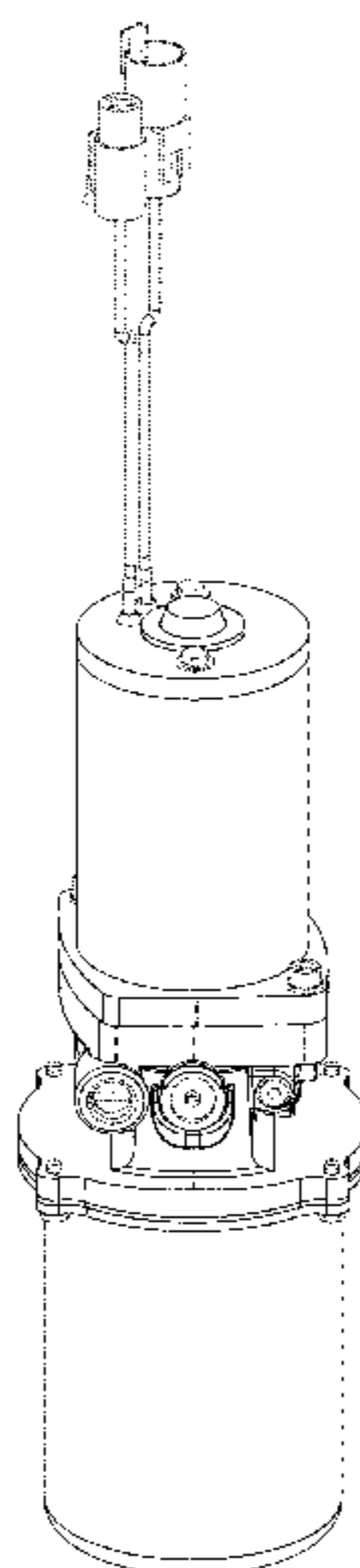
FIG. 11 is a top view thereof; and,

FIG. 12 is a bottom view thereof.

The short-dash broken lines are for the purpose of illustrating
unclaimed portions of the power unit and form no part of the
claimed design.

The dot-dash broken lines represent an unclaimed boundary
and form no part of the claimed design.

1 Claim, 11 Drawing Sheets



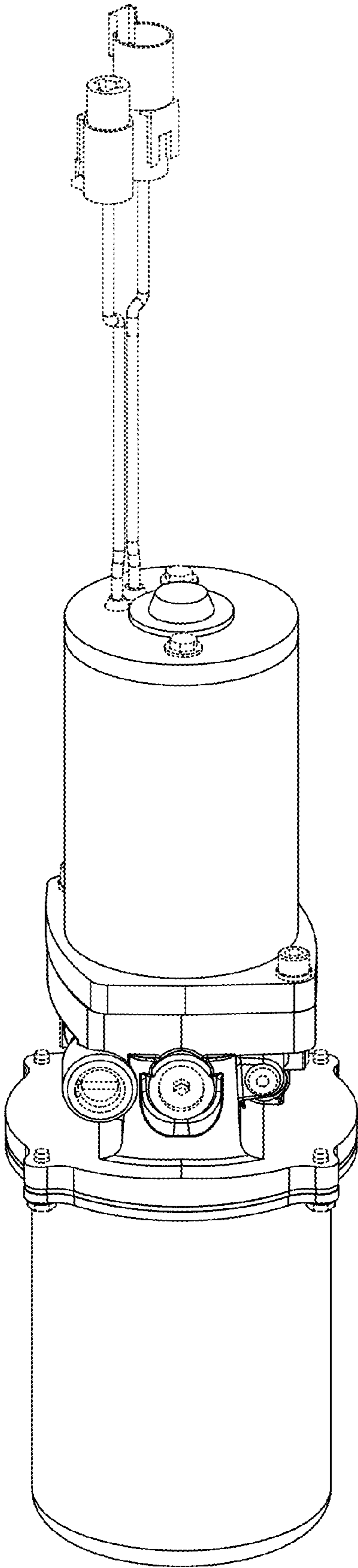


Fig. 1

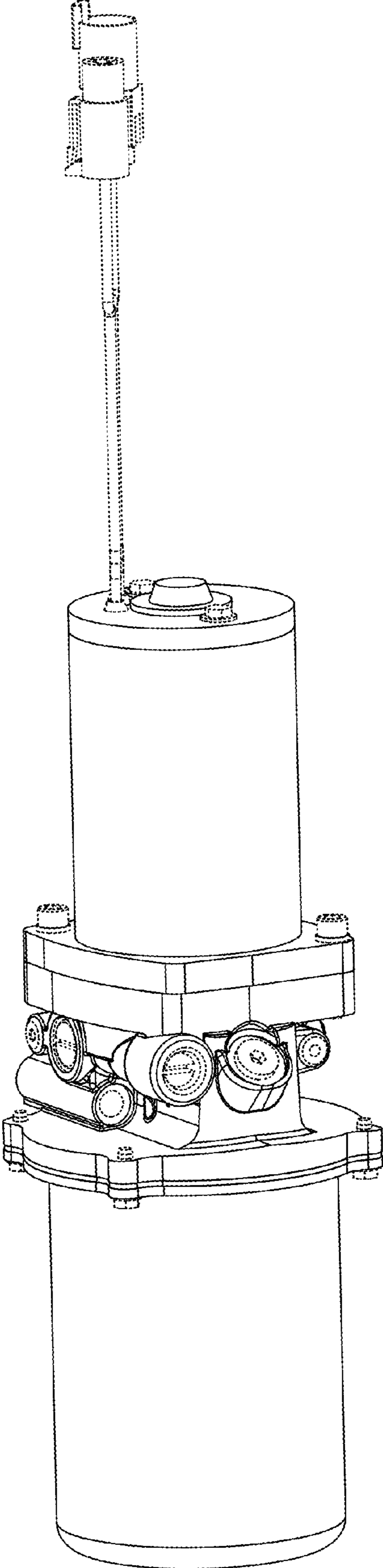


Fig. 2

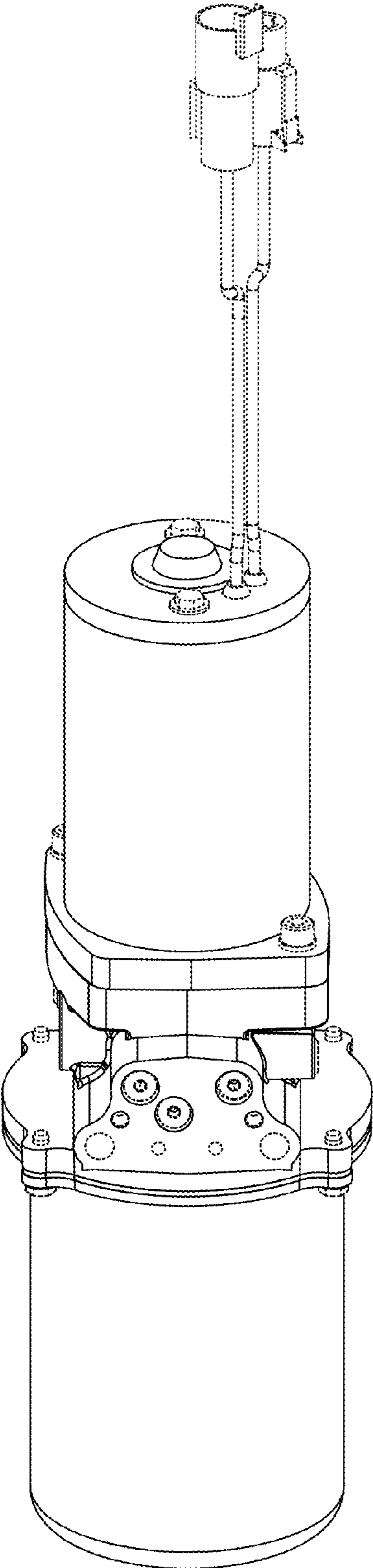


Fig. 3

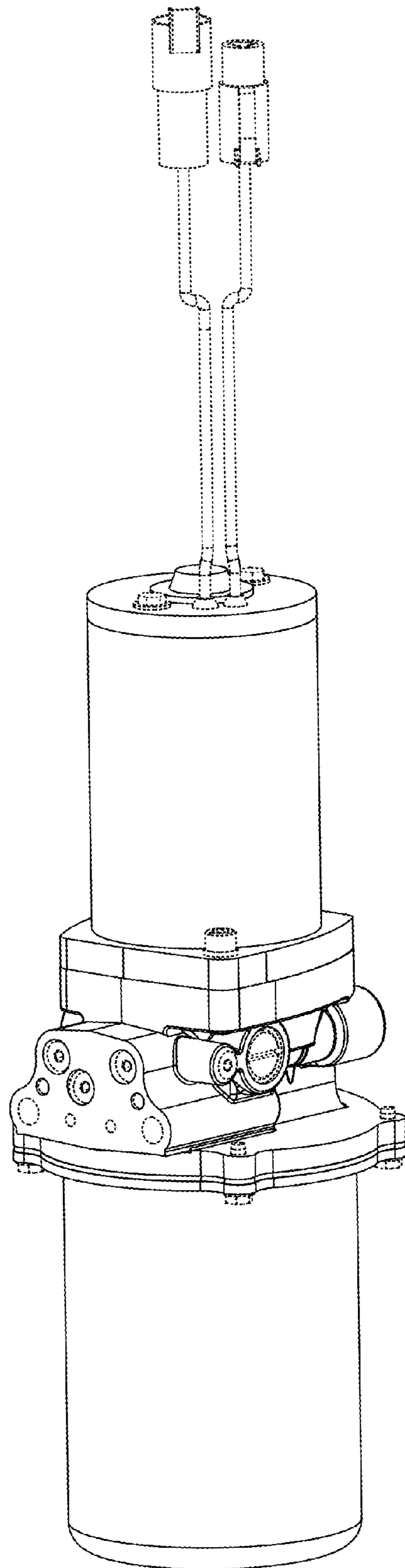


Fig. 4

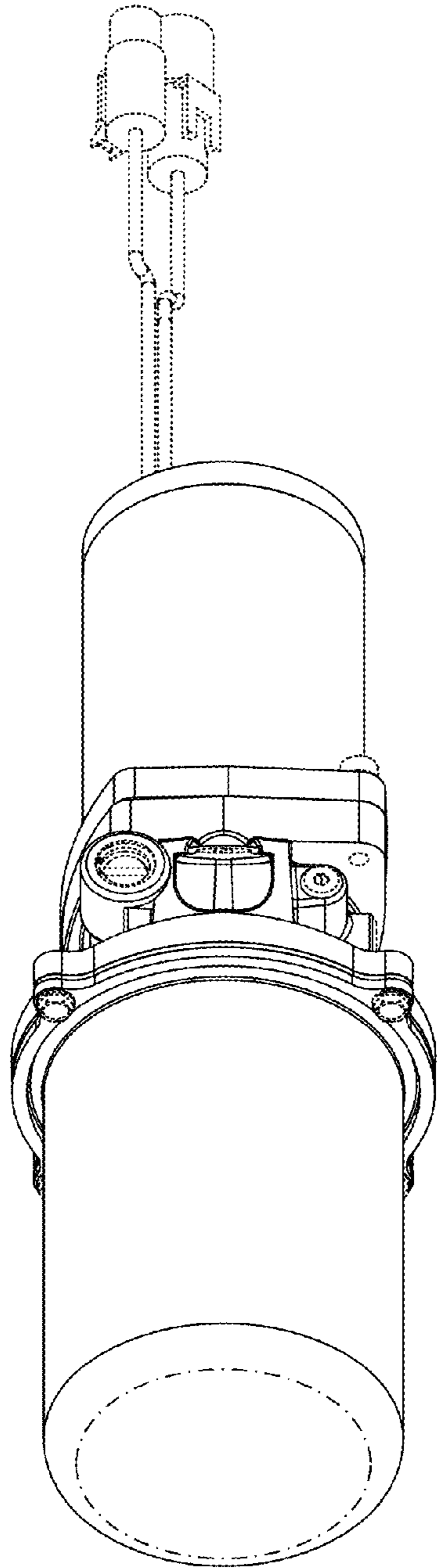


Fig. 5

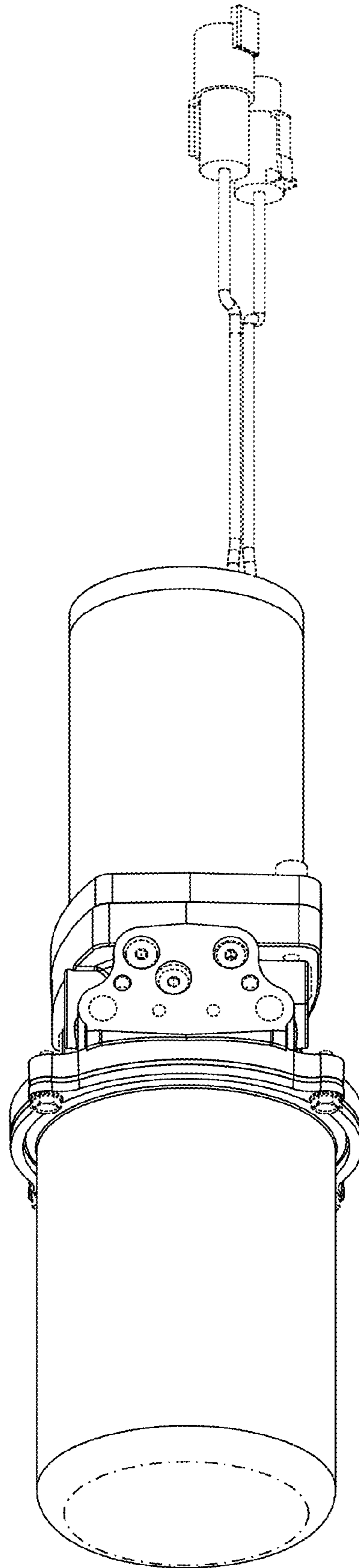


Fig. 6

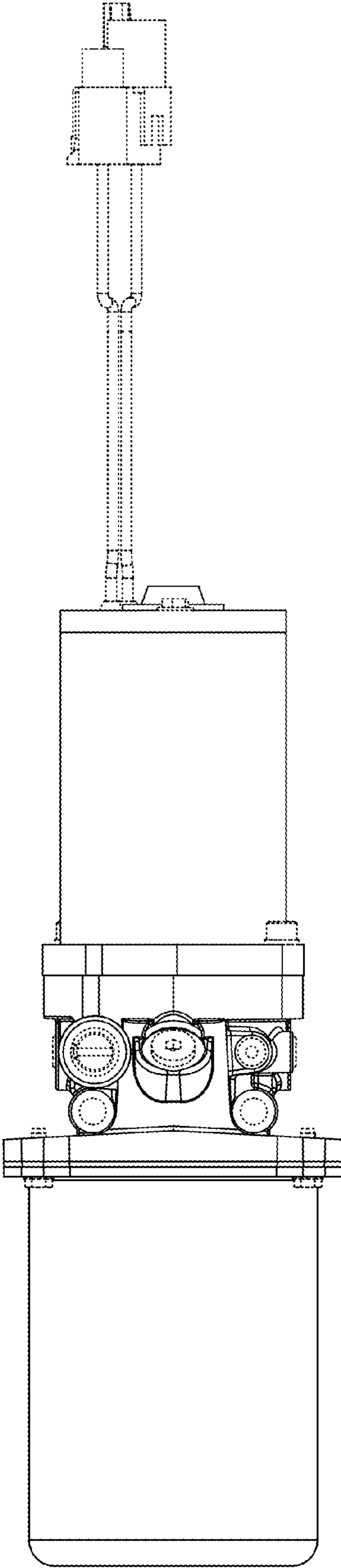


Fig. 7

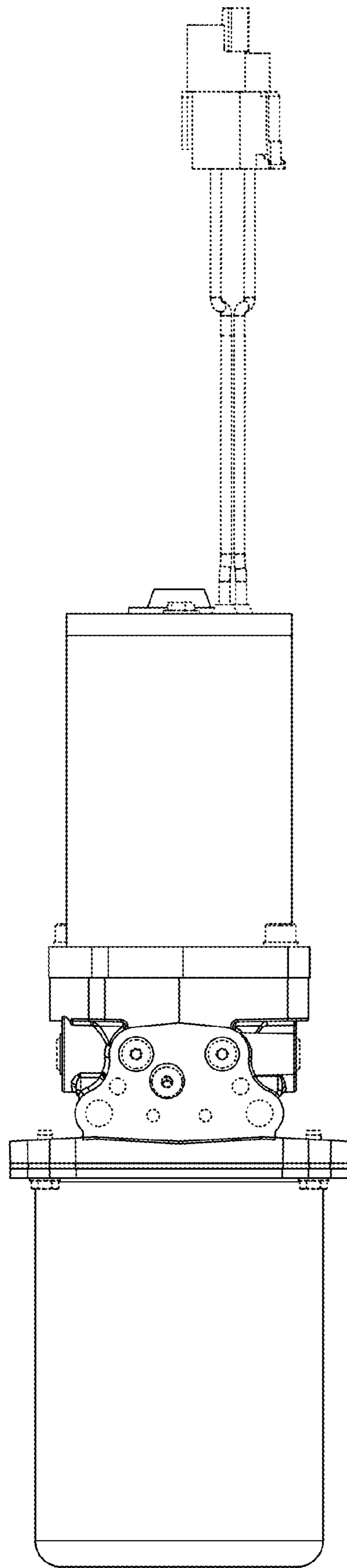


Fig. 8

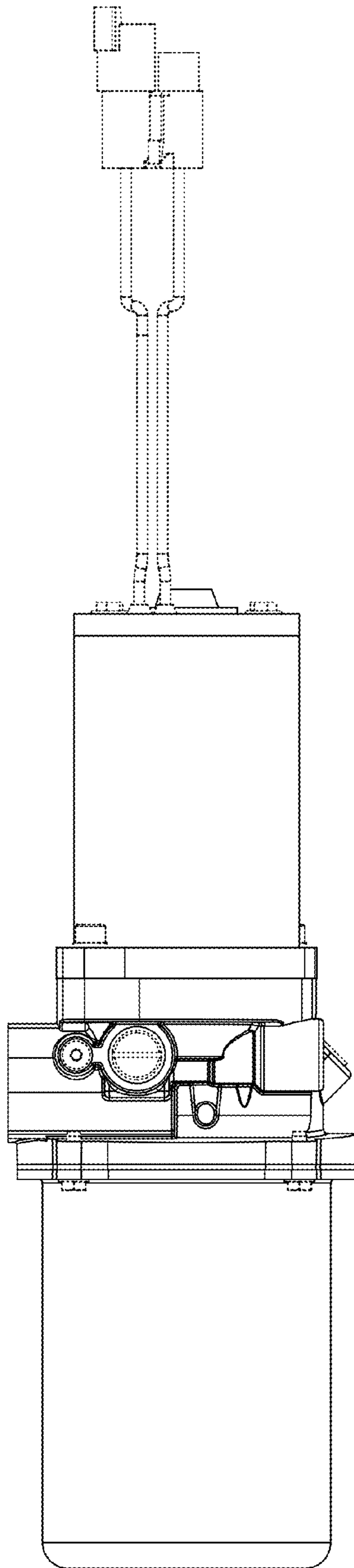


Fig. 9

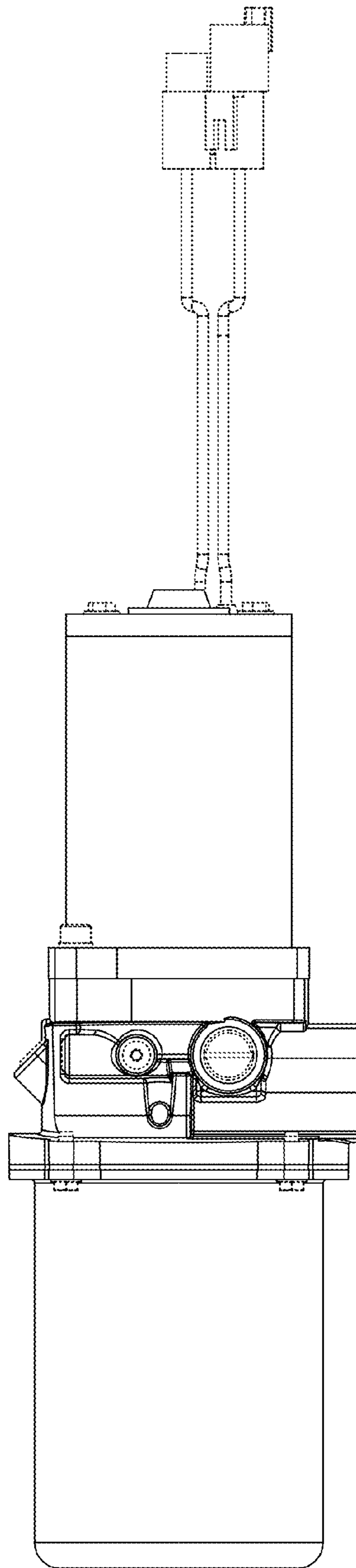


Fig. 10

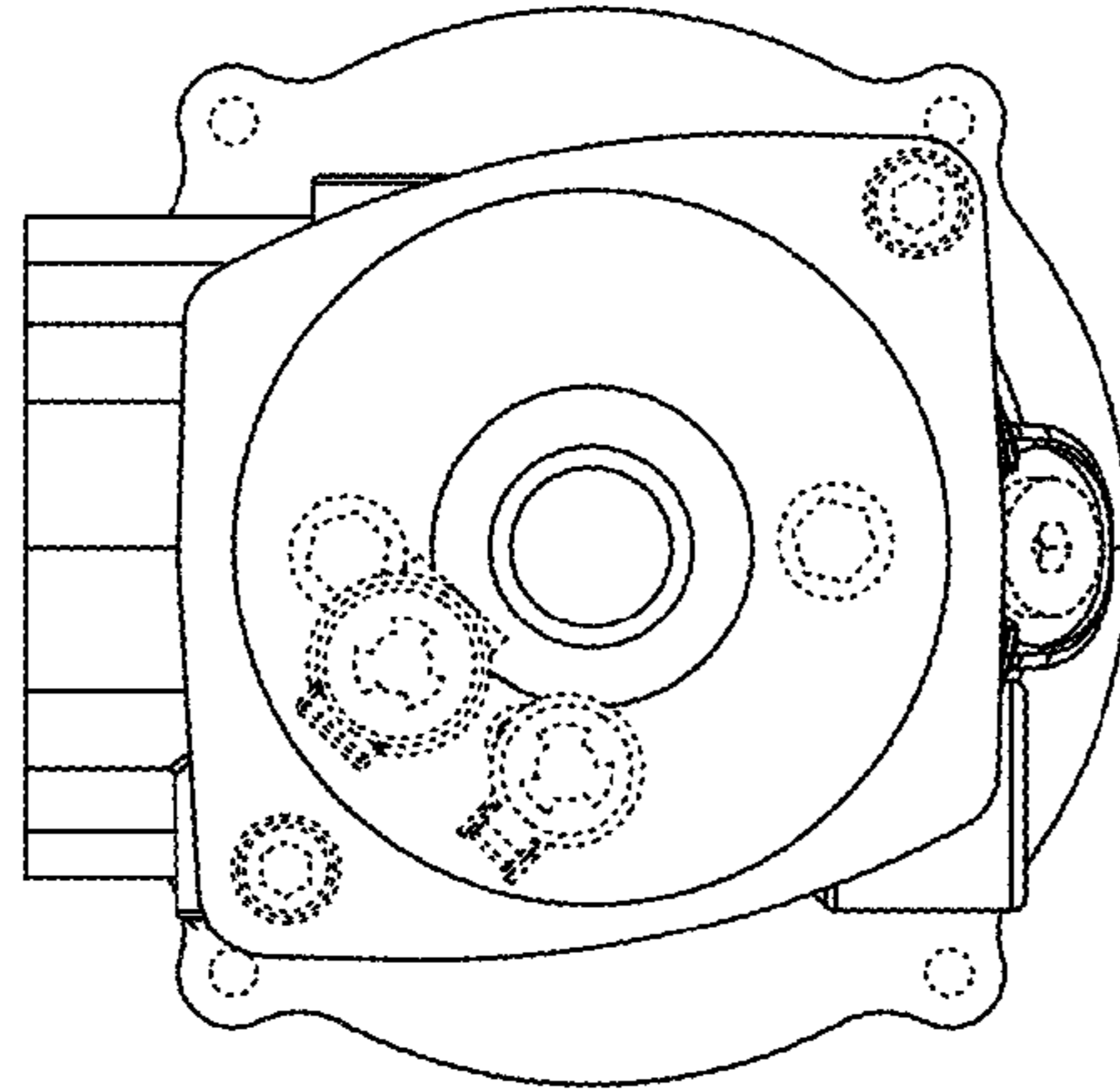


Fig. 11

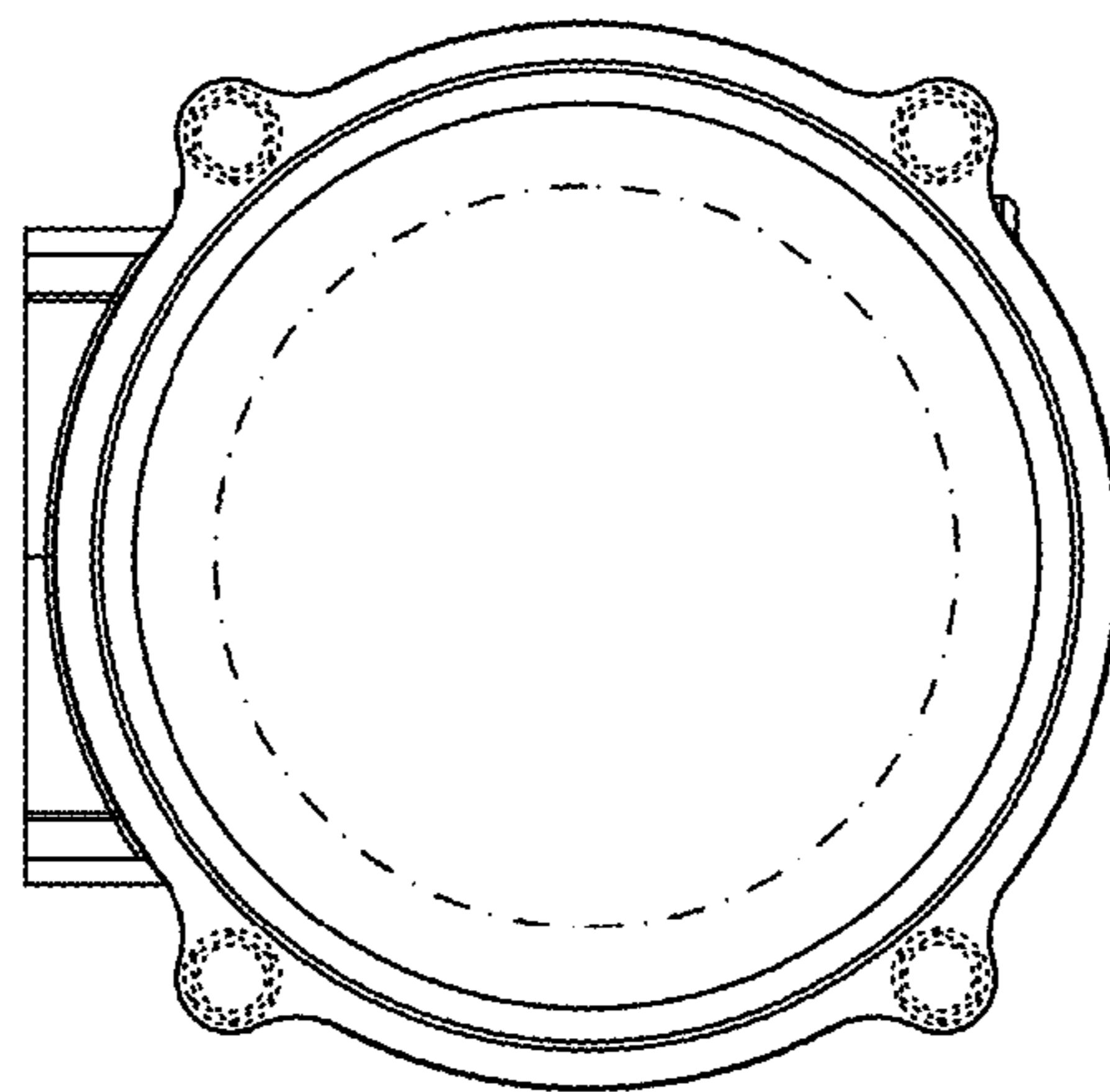


Fig. 12