



US00D726651S

(12) **United States Design Patent**  
**Lin**

(10) **Patent No.:** **US D726,651 S**  
(45) **Date of Patent:** **\*\* Apr. 14, 2015**

(54) **ELECTRICAL ENERGY SAVER**

(71) Applicant: **Sheng-Lian Lin**, Taoyuan County (TW)

(72) Inventor: **Sheng-Lian Lin**, Taoyuan County (TW)

(\*\*) Term: **14 Years**

(21) Appl. No.: **29/497,696**

(22) Filed: **Jul. 28, 2014**

(30) **Foreign Application Priority Data**

Jul. 14, 2014 (TW) ..... 103304150

(51) **LOC (10) Cl.** ..... **13-02**

(52) **U.S. Cl.**  
USPC ..... **D13/110**

(58) **Field of Classification Search**  
USPC ..... D13/110, 107, 108, 123, 133, 137.1,  
D13/138.1, 199; 174/53, 54, 59, 61;  
307/150, 151; 320/111, 114; 363/132,  
363/140, 142, 143, 146; 439/105, 131, 166,  
439/171-173, 218, 518, 692, 956;  
D14/240, 251, 253, 432, 433, 434

See application file for complete search history.

(56) **References Cited**

U.S. PATENT DOCUMENTS

D372,129 S \* 7/1996 Chesnut ..... D4/138  
D433,994 S \* 11/2000 Jobs et al. .... D13/110  
D515,585 S \* 2/2006 Landau ..... D14/432  
D575,730 S \* 8/2008 Hung ..... D13/110

\* cited by examiner

*Primary Examiner* — Derrick Holland

(74) *Attorney, Agent, or Firm* — WPAT, PC; Justin King

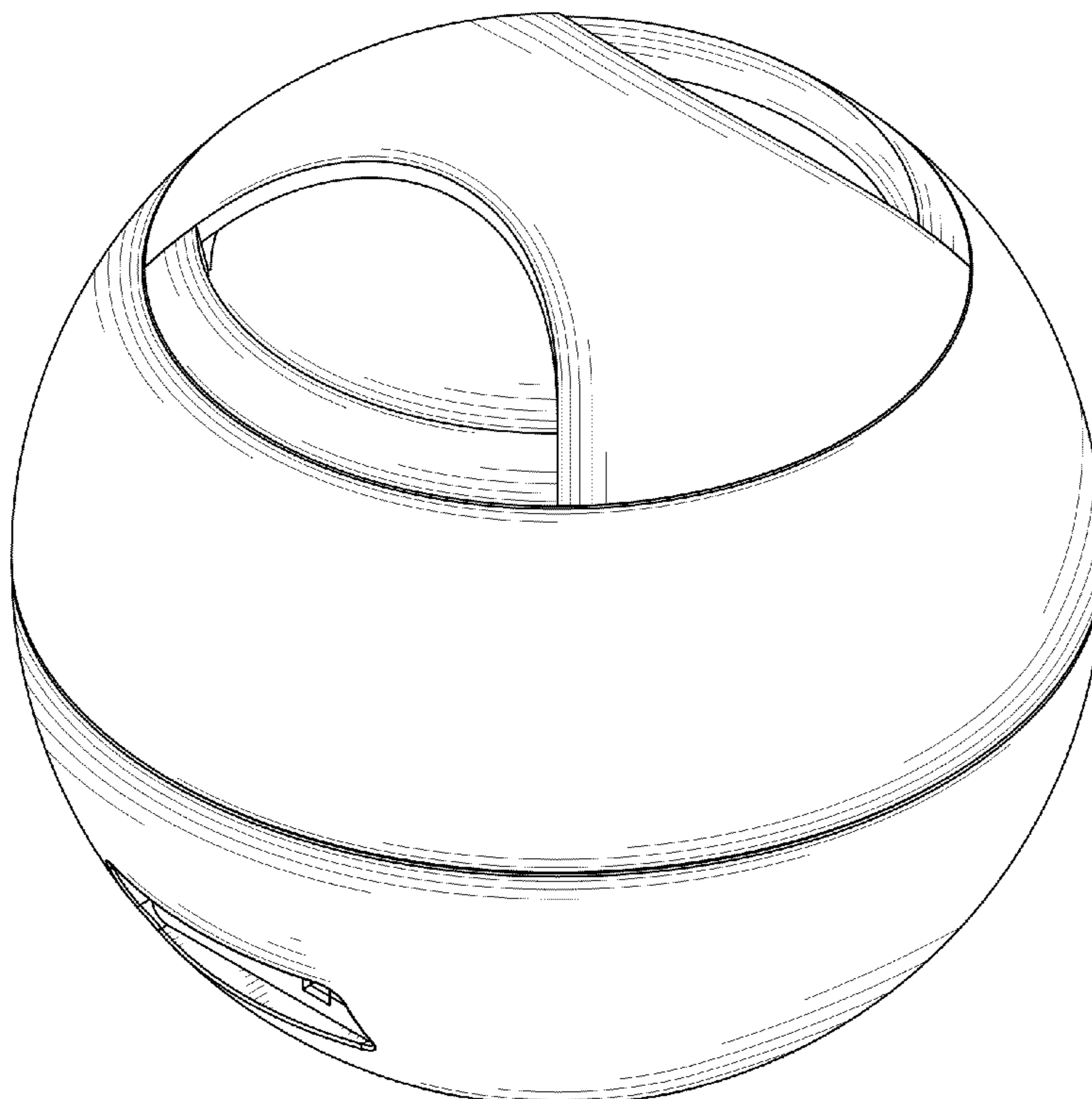
(57) **CLAIM**

The ornamental design for an electrical energy saver, as shown and described.

**DESCRIPTION**

FIG. 1 is a perspective view of an electrical energy saver showing my new design;  
FIG. 2 is a front elevational view thereof;  
FIG. 3 is a rear elevational view thereof;  
FIG. 4 is a right side elevational view thereof;  
FIG. 5 is a left side elevational view thereof;  
FIG. 6 is a top plan view thereof; and,  
FIG. 7 is a bottom plan view thereof.

**1 Claim, 7 Drawing Sheets**



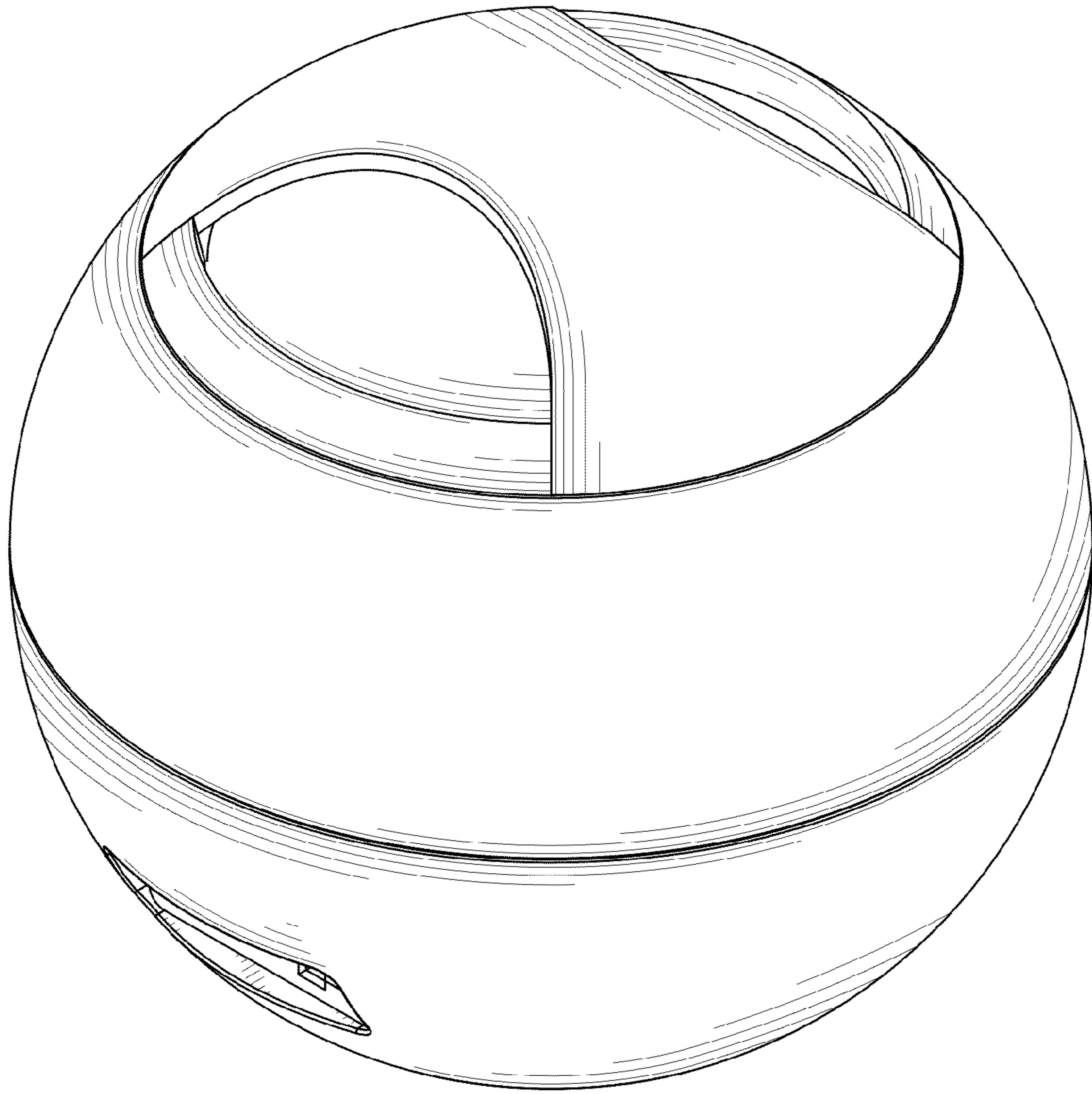


FIG. 1

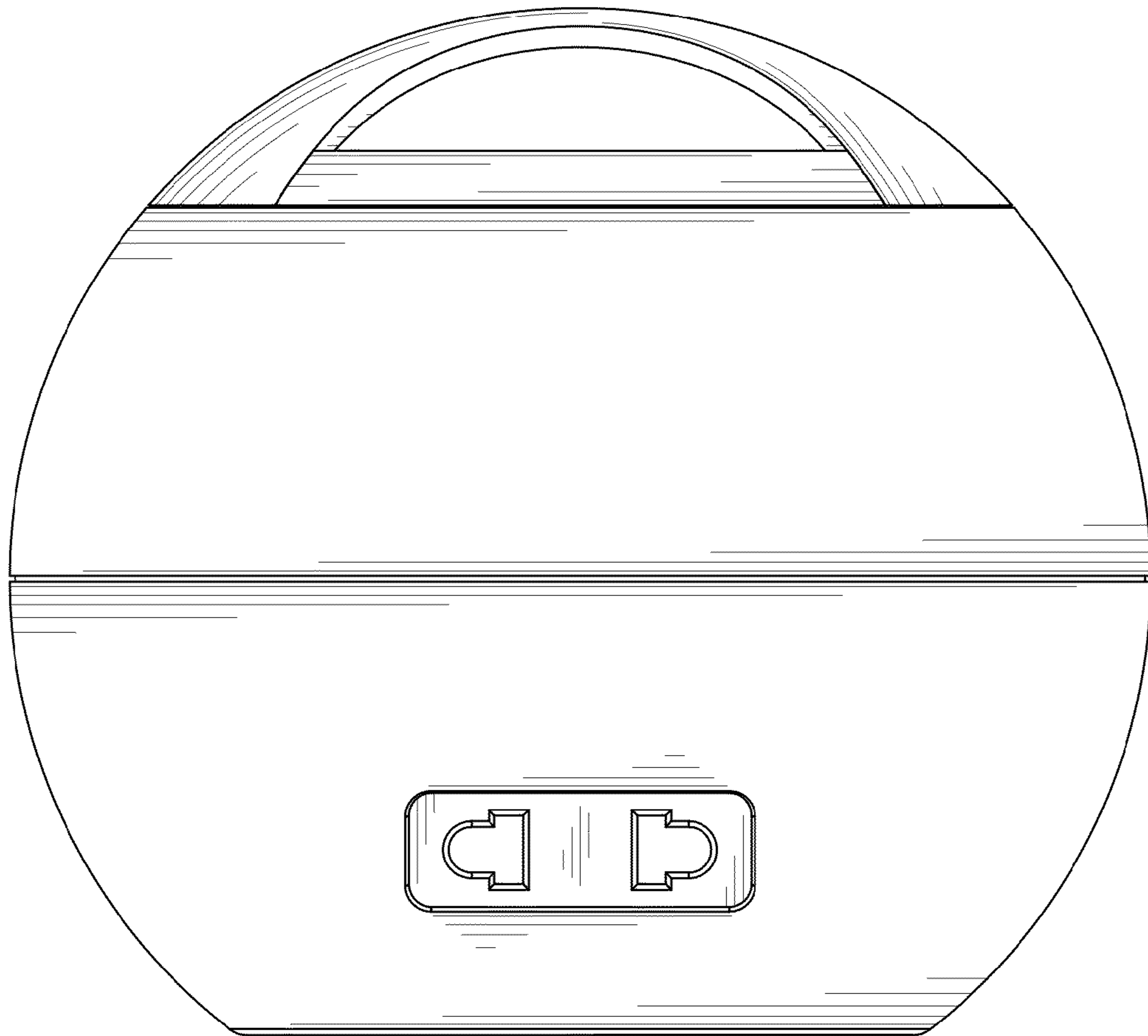


FIG. 2

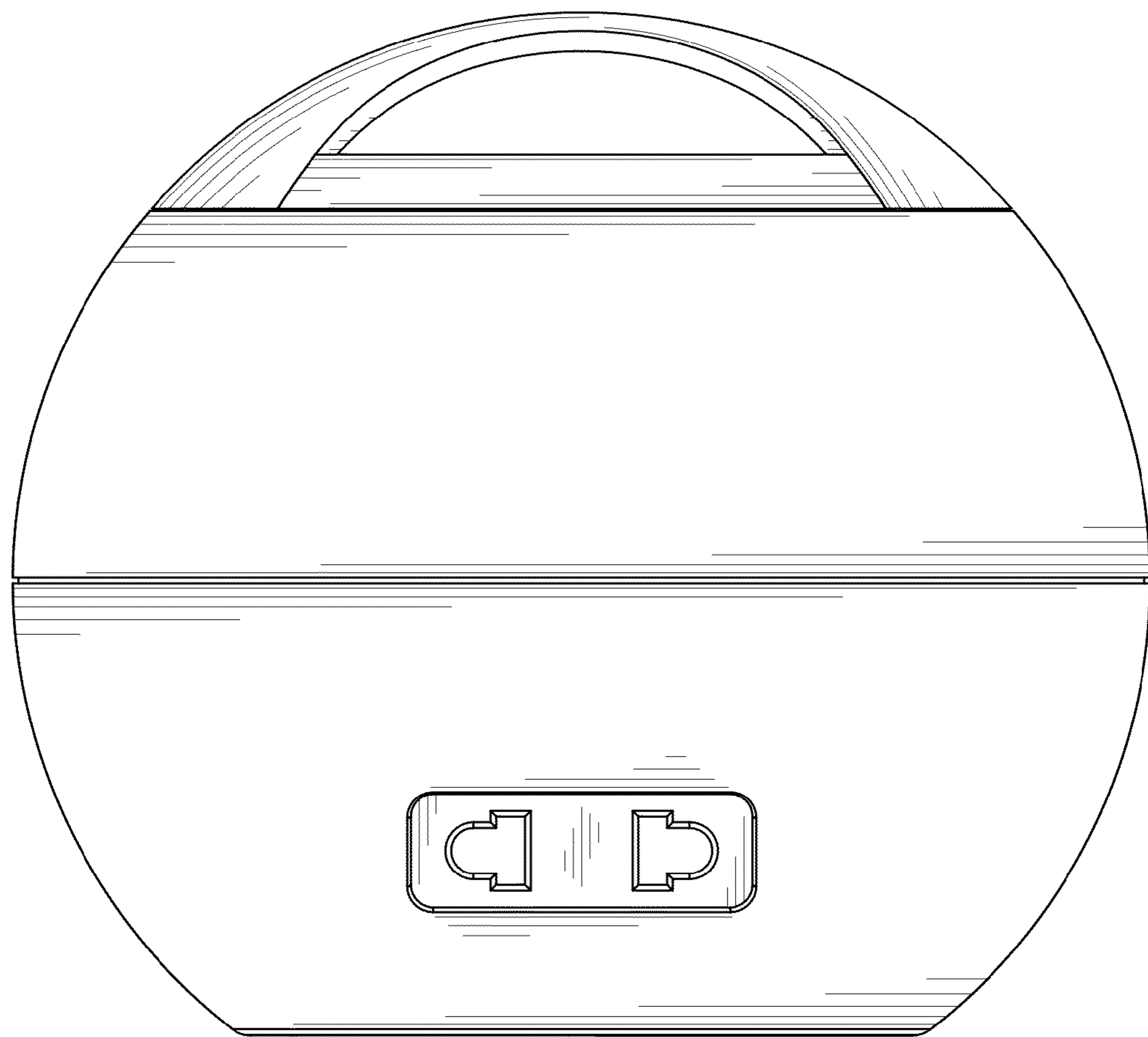


FIG. 3

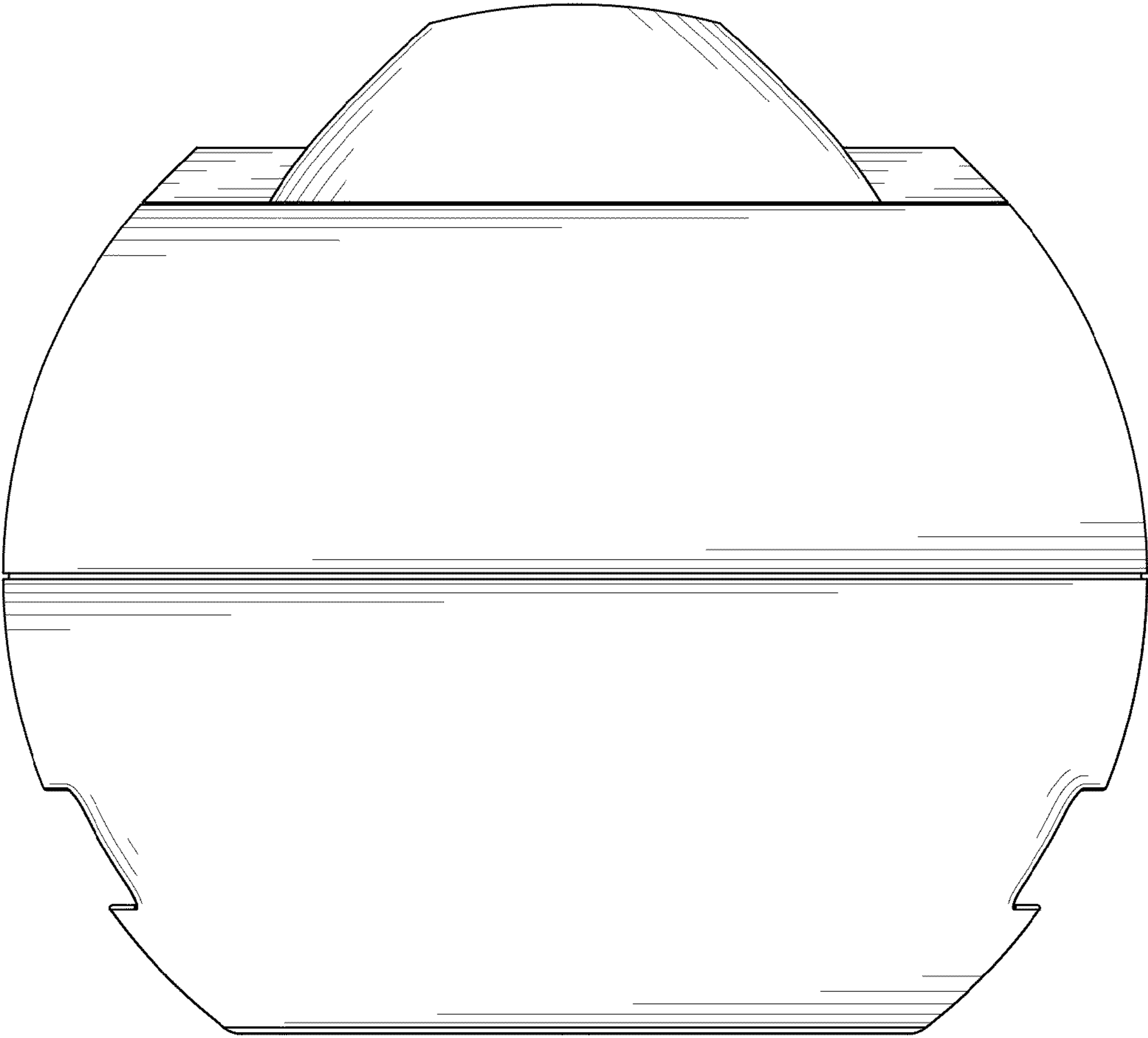


FIG. 4

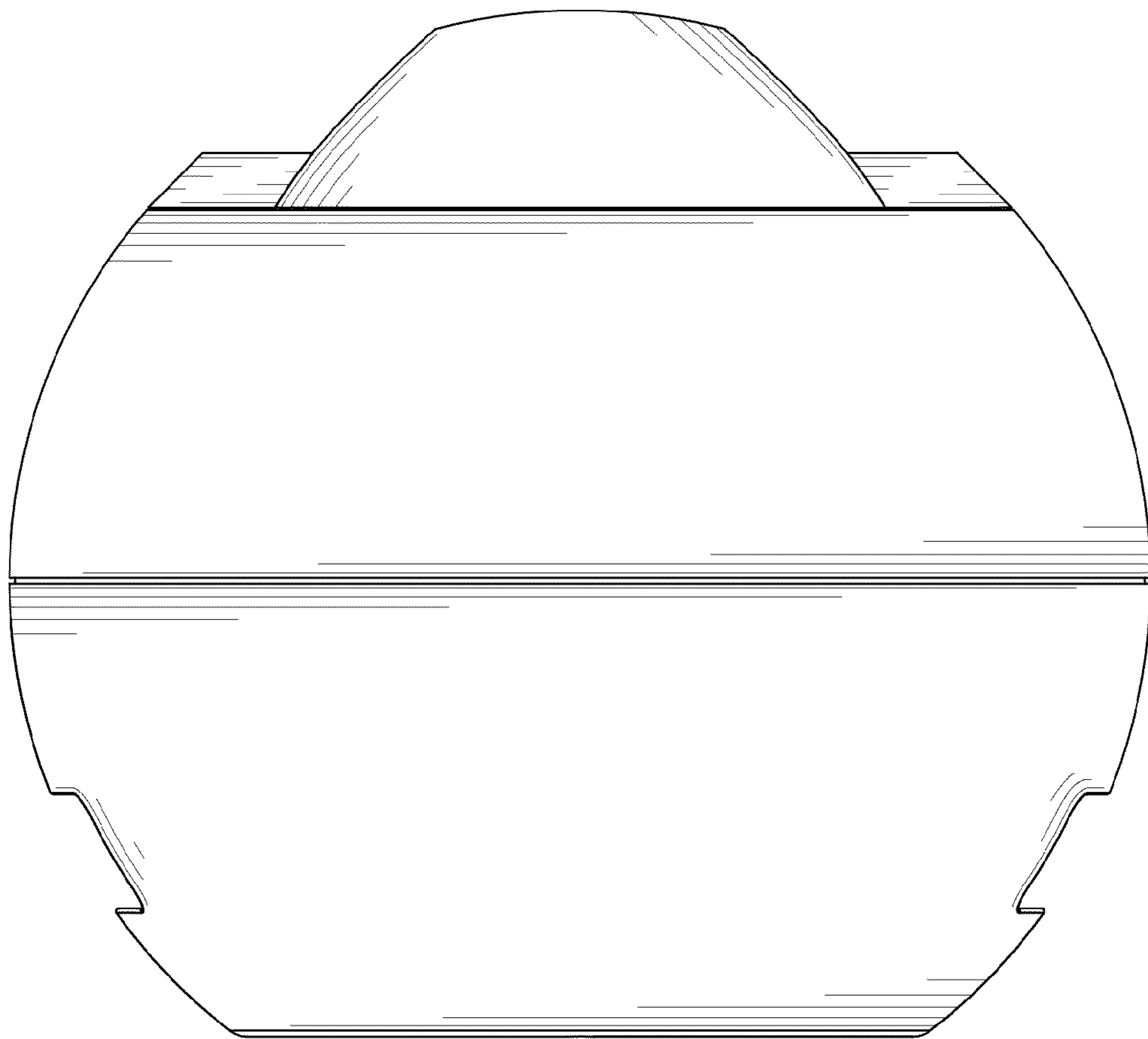


FIG. 5

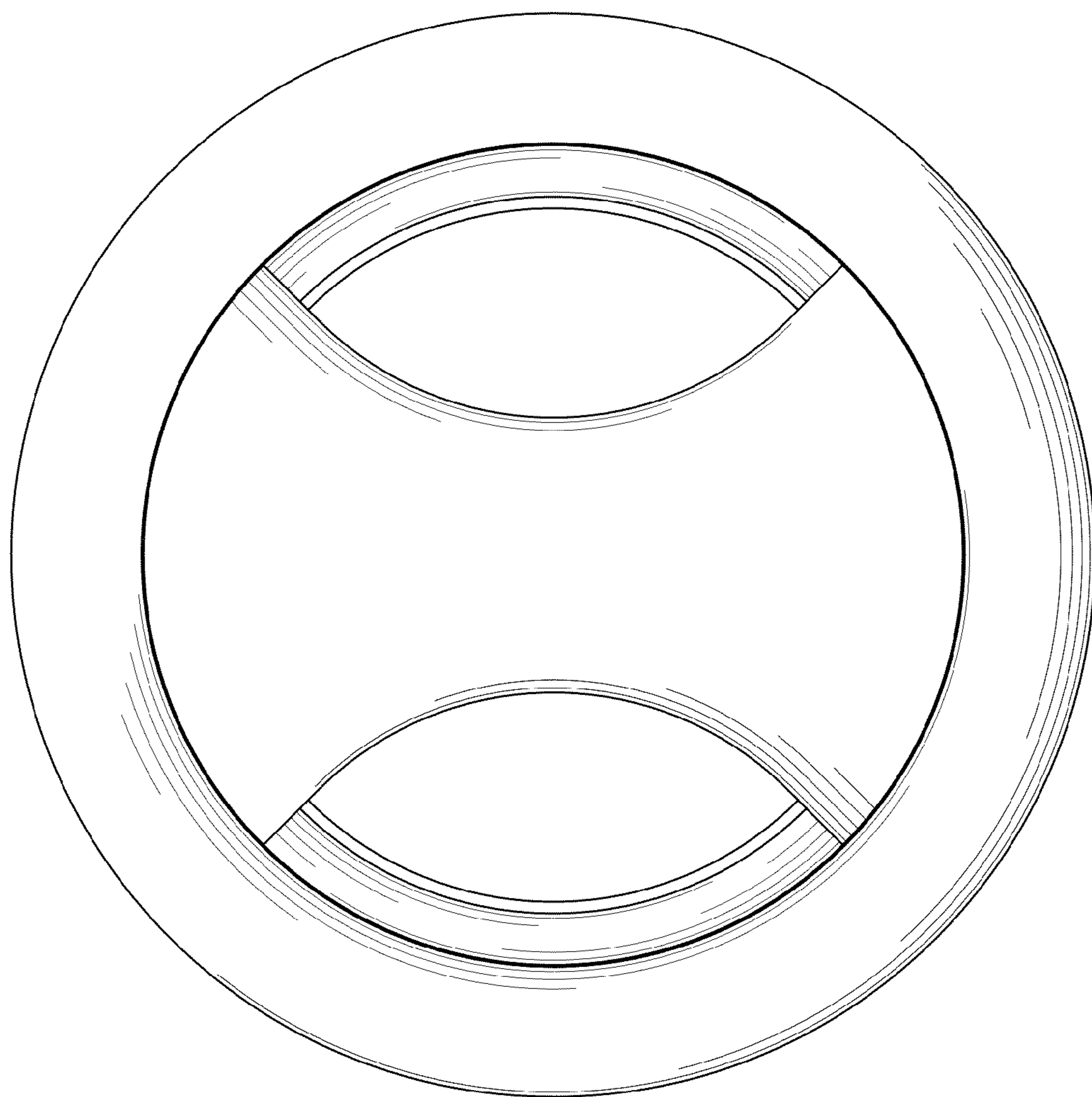


FIG. 6

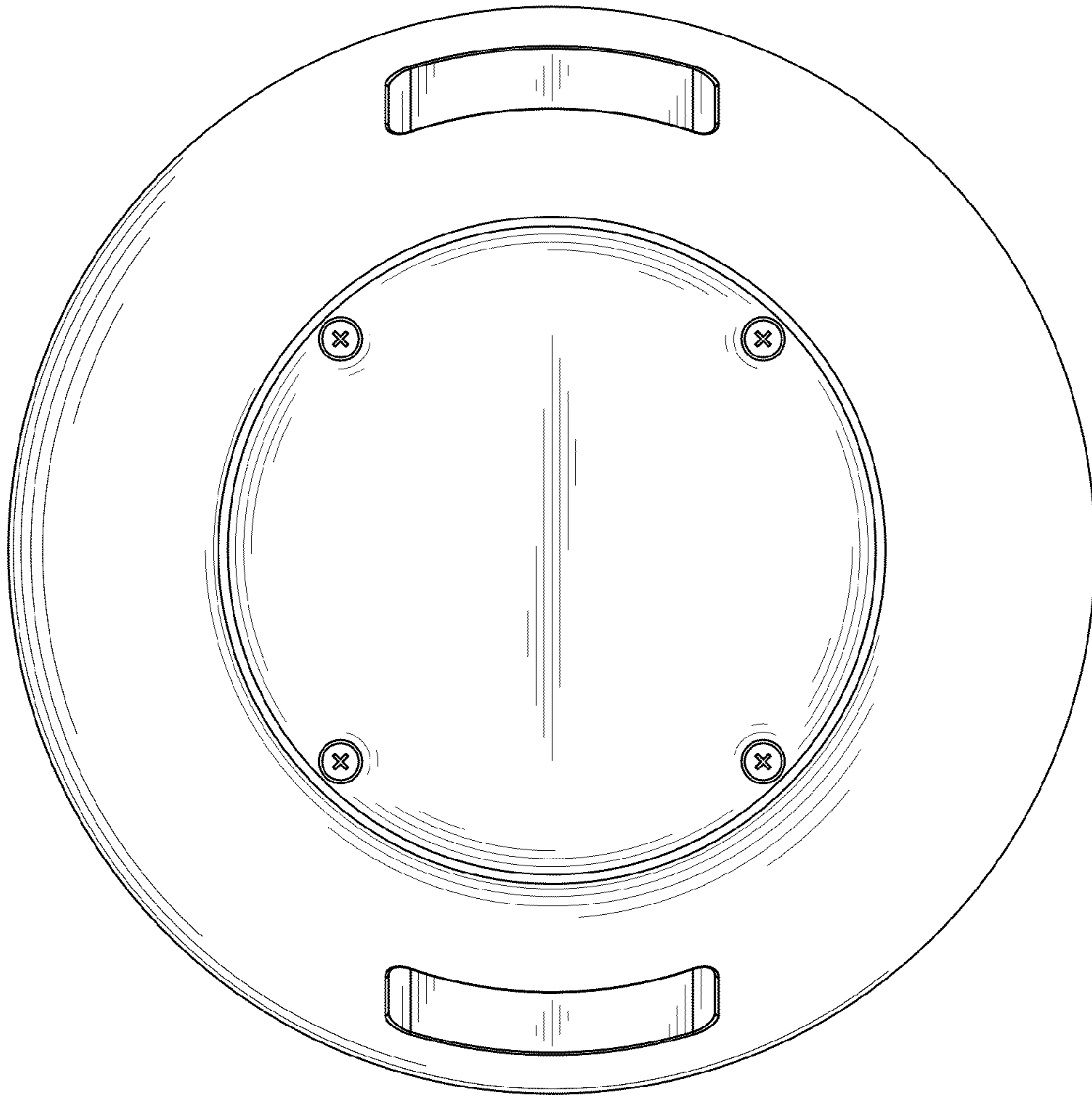


FIG. 7