

US00D726648S

(12) **United States Design Patent**  
**Zealer**

(10) **Patent No.:** **US D726,648 S**

(45) **Date of Patent:** **\*\* Apr. 14, 2015**

(54) **POWER DEVICE**

(71) Applicant: **Carl Zealer**, Canal Winchester, OH (US)

(72) Inventor: **Carl Zealer**, Canal Winchester, OH (US)

(\*\*) Term: **14 Years**

(21) Appl. No.: **29/465,610**

(22) Filed: **Aug. 29, 2013**

(51) **LOC (10) Cl.** ..... **13-02**

(52) **U.S. Cl.**  
USPC ..... **D13/103; D13/108**

(58) **Field of Classification Search**  
USPC ..... D13/102-110, 118-119, 184, 199;  
D14/356, 432; 320/103, 111-115,  
320/135-146; 429/96-100, 163, 176  
See application file for complete search history.

(56) **References Cited**

**U.S. PATENT DOCUMENTS**

D251,905 S *	5/1979	Kaye .....	D13/103
D323,809 S *	2/1992	Ross, Jr. ....	D13/103
D328,888 S *	8/1992	Zhu .....	D13/103
D413,567 S *	9/1999	Person et al. ....	D13/110
D423,452 S *	4/2000	Fujisawa et al. ....	D13/110

D490,371 S *	5/2004	Lee et al. ....	D13/110
D556,679 S *	12/2007	Weinstein et al. ....	D13/103
D682,777 S *	5/2013	Gupta et al. ....	D13/103
D697,865 S *	1/2014	Saito et al. ....	D13/103
D701,490 S *	3/2014	Inskeep .....	D13/110
D705,719 S *	5/2014	Wong .....	D13/103
D714,214 S *	9/2014	Wikel et al. ....	D13/107

\* cited by examiner

*Primary Examiner* — Rosemary K Tarcza

(74) *Attorney, Agent, or Firm* — Kegler Brown Hill & Ritter;  
James J. Pingor

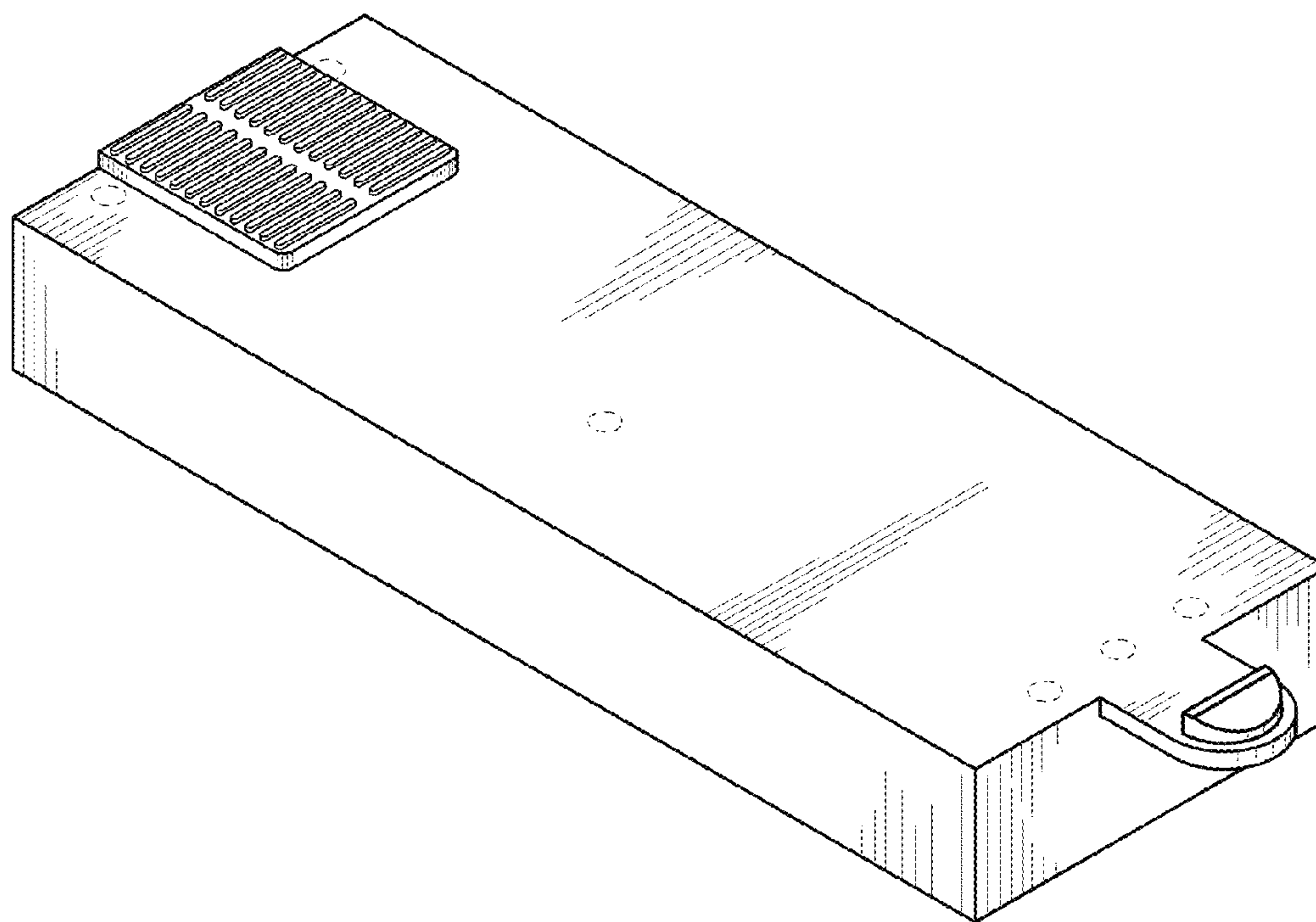
(57) **CLAIM**

We claim the ornamental design of the power device, as shown and described.

**DESCRIPTION**

FIG. 1 is a right front perspective view of a power device;  
FIG. 2 is a front view thereof;  
FIG. 3 is a rear view thereof;  
FIG. 4 is a top view thereof;  
FIG. 5 is a right side view thereof; and,  
FIG. 6 is a left side view thereof.

**1 Claim, 2 Drawing Sheets**



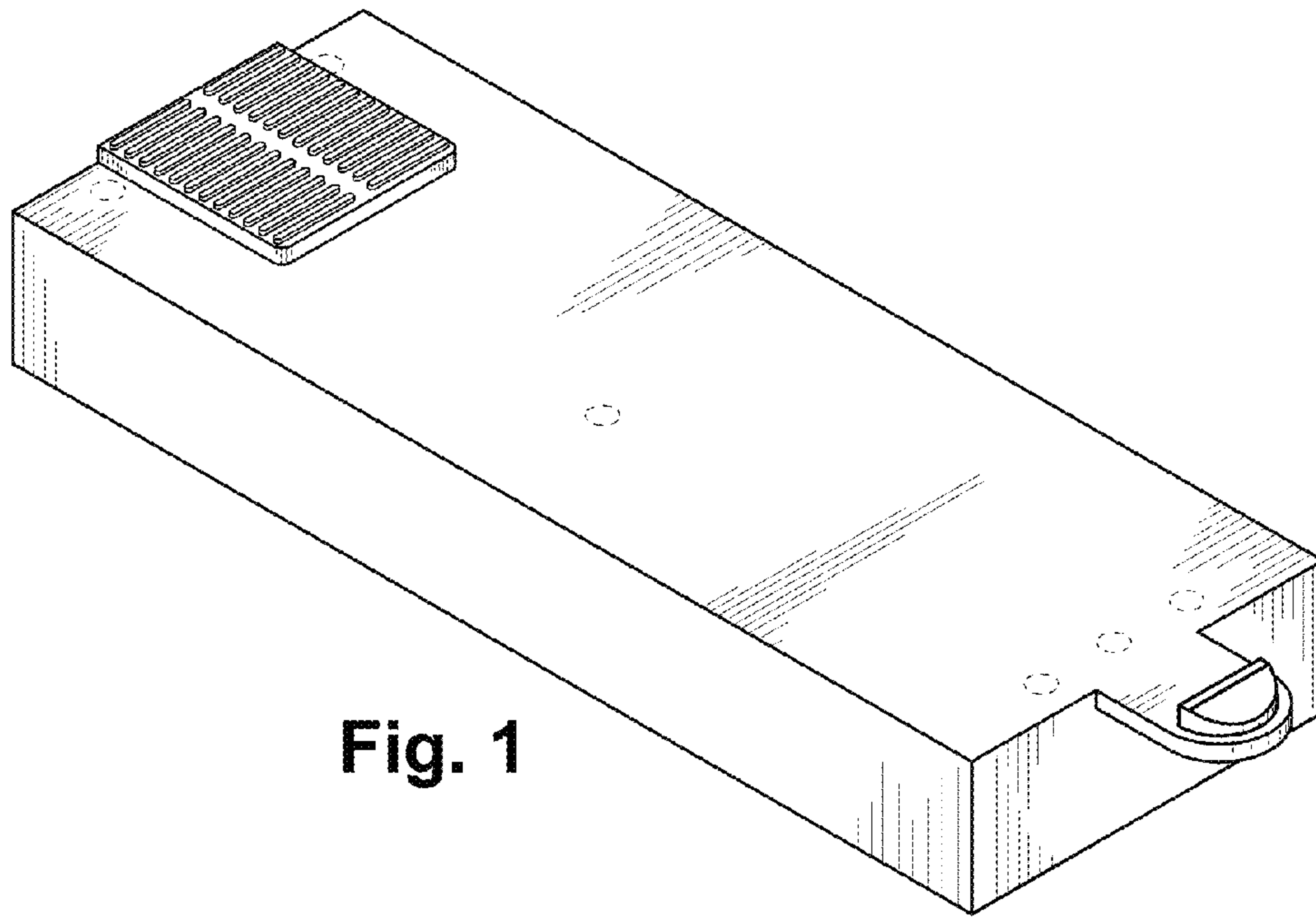


Fig. 1

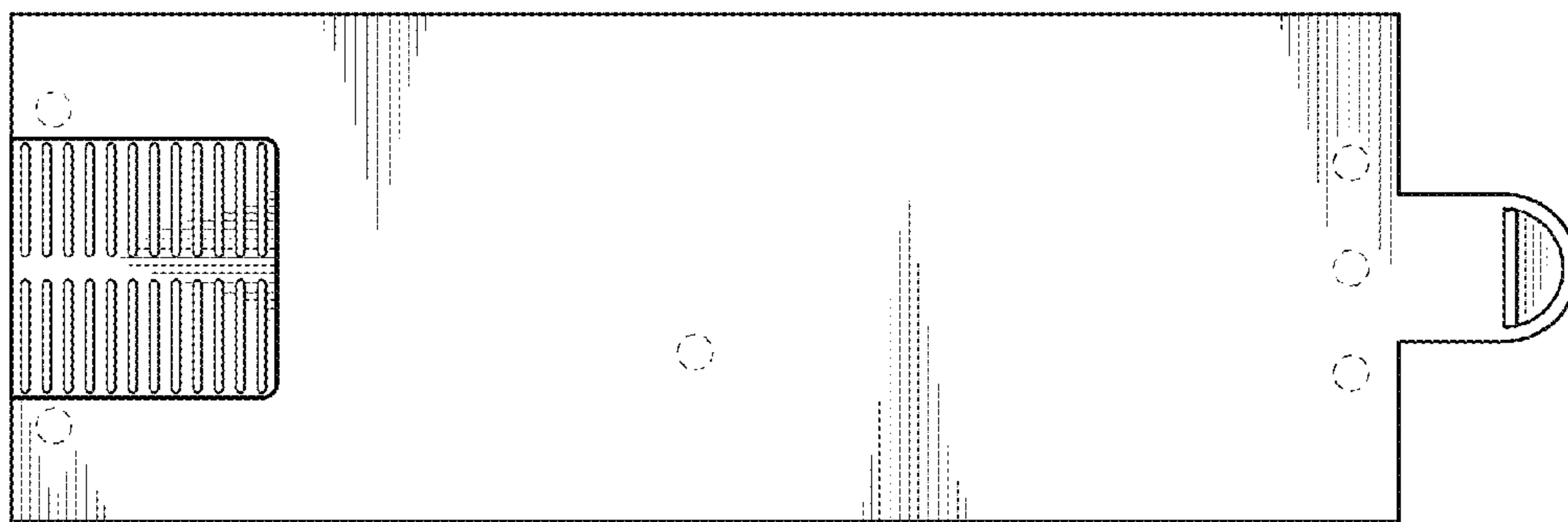


Fig. 2

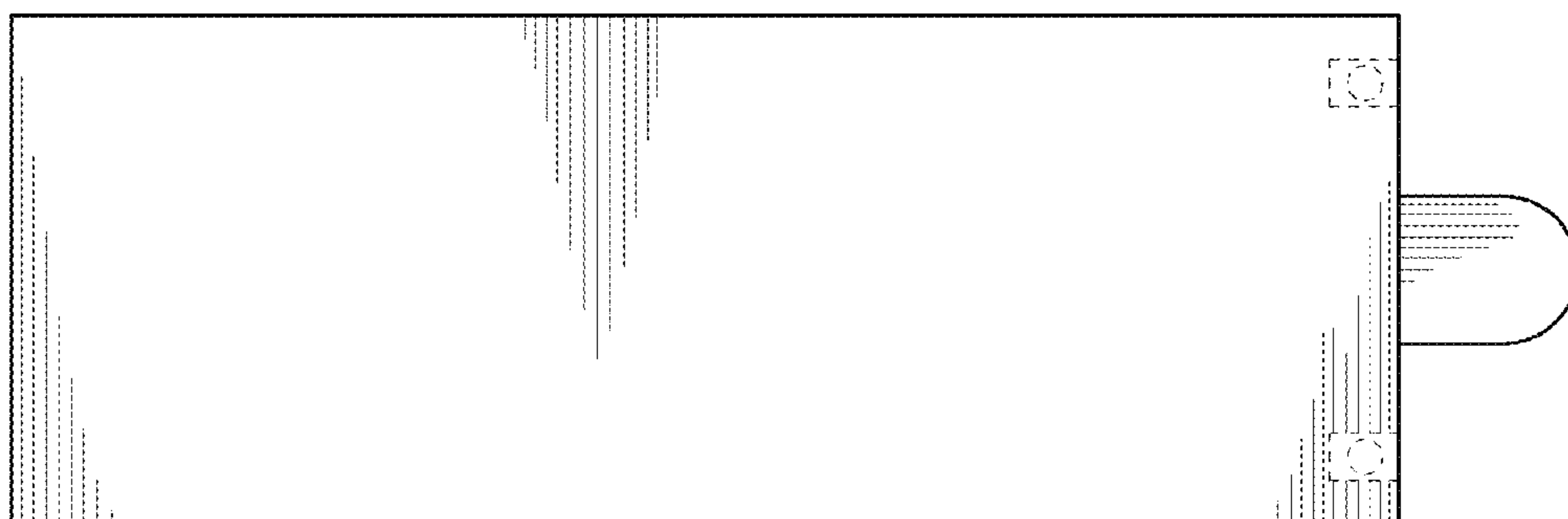


Fig. 3

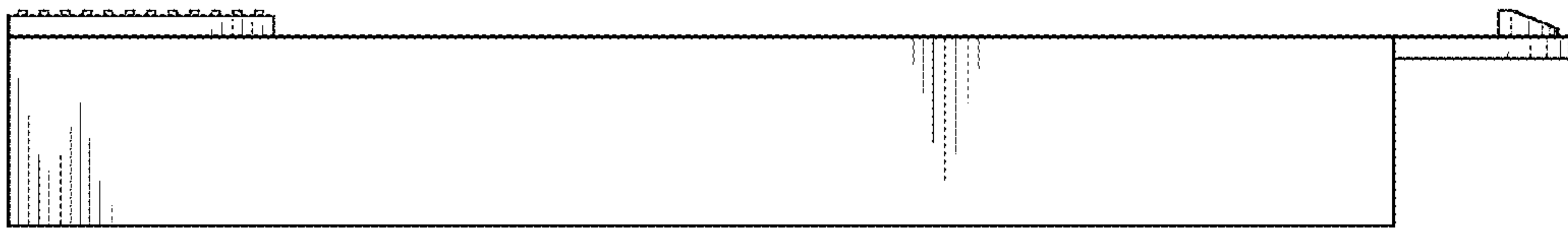


Fig. 4

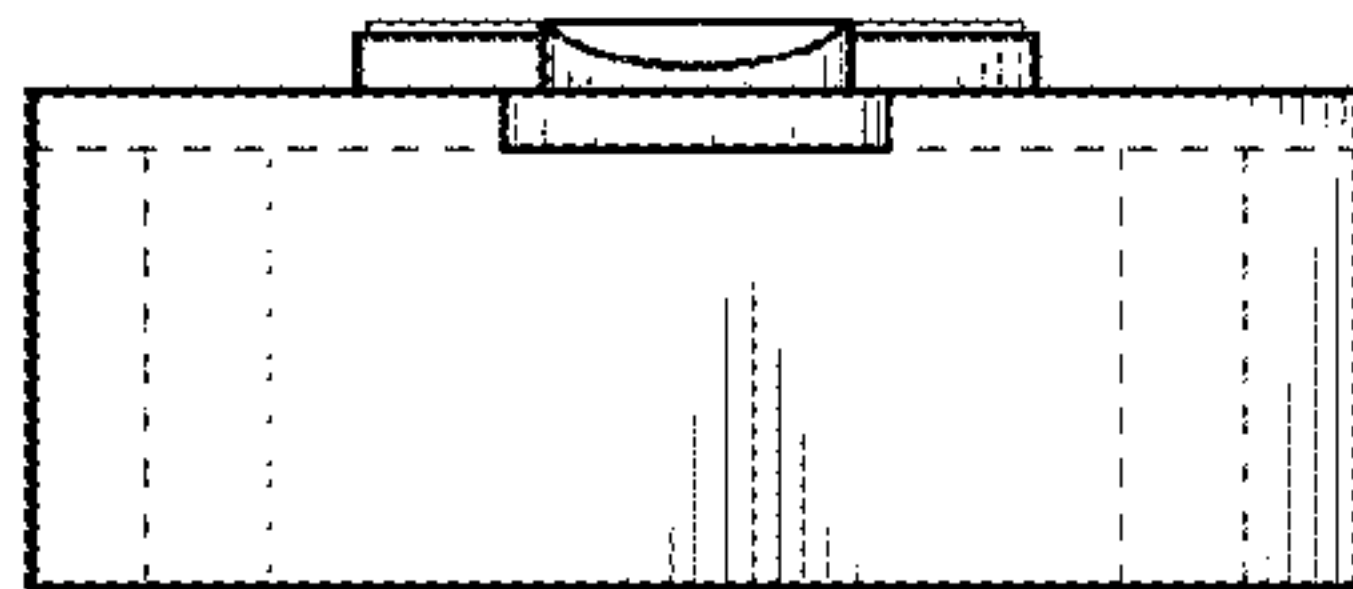


Fig. 5

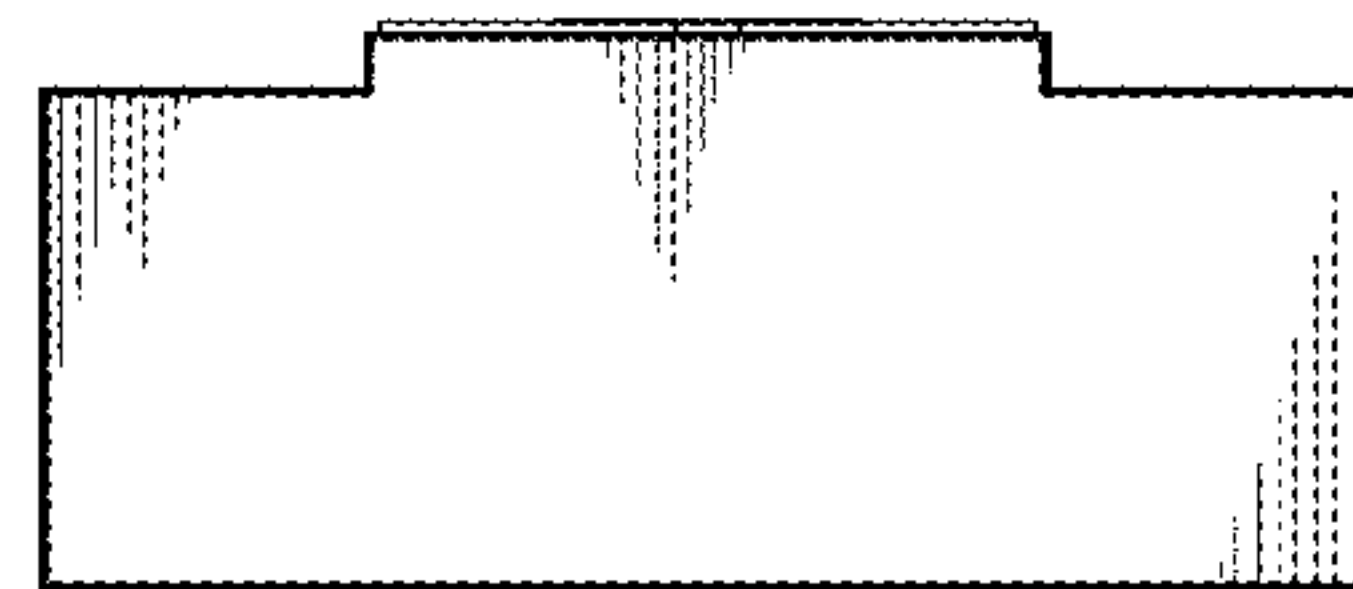


Fig. 6