



US00D726646S

(12) **United States Design Patent**  
**Scheifele**

(10) **Patent No.:** **US D726,646 S**  
(45) **Date of Patent:** **\*\* Apr. 14, 2015**

- (54) **TIRE SIDEWALL**
- (71) Applicant: **Bridgestone Americas Tire Operations, LLC, Nashville, TN (US)**
- (72) Inventor: **Kevin E. Scheifele, Atwater, OH (US)**
- (73) Assignee: **Bridgestone Americas Tire Operations, LLC, Nashville, TN (US)**
- (\*\*) Term: **14 Years**
- (21) Appl. No.: **29/444,179**
- (22) Filed: **Jan. 28, 2013**
- (51) **LOC (10) Cl.** ..... **12-15**
- (52) **U.S. Cl.**  
USPC ..... **D12/605**
- (58) **Field of Classification Search**  
CPC ..... B60C 13/00  
USPC ..... D12/500, 605; D7/588, 396.4, 396.5;  
152/209.8, 209.12, 517, 523, 524,  
152/DIG. 12  
See application file for complete search history.

D549,168 S	8/2007	Shondel et al.
D550,150 S	9/2007	Shondel
D552,536 S	10/2007	Shondel
D557,202 S	12/2007	Shondel
D558,138 S	12/2007	Shondel
D563,310 S	3/2008	Shondel
D605,583 S	12/2009	Scheifele
D606,016 S	12/2009	Scheifele
D606,488 S	12/2009	Scheifele
D608,273 S	1/2010	Scheifele et al.
D656,089 S *	3/2012	Miyazaki ..... D12/605
D665,337 S *	8/2012	Fontaine et al. .... D12/605
D684,111 S *	6/2013	Vandaele ..... D12/605

\* cited by examiner

*Primary Examiner* — Robert M Spear

(74) *Attorney, Agent, or Firm* — Shaun J. Fox

(57) **CLAIM**

The ornamental design for a tire sidewall, as shown and described.

**DESCRIPTION**

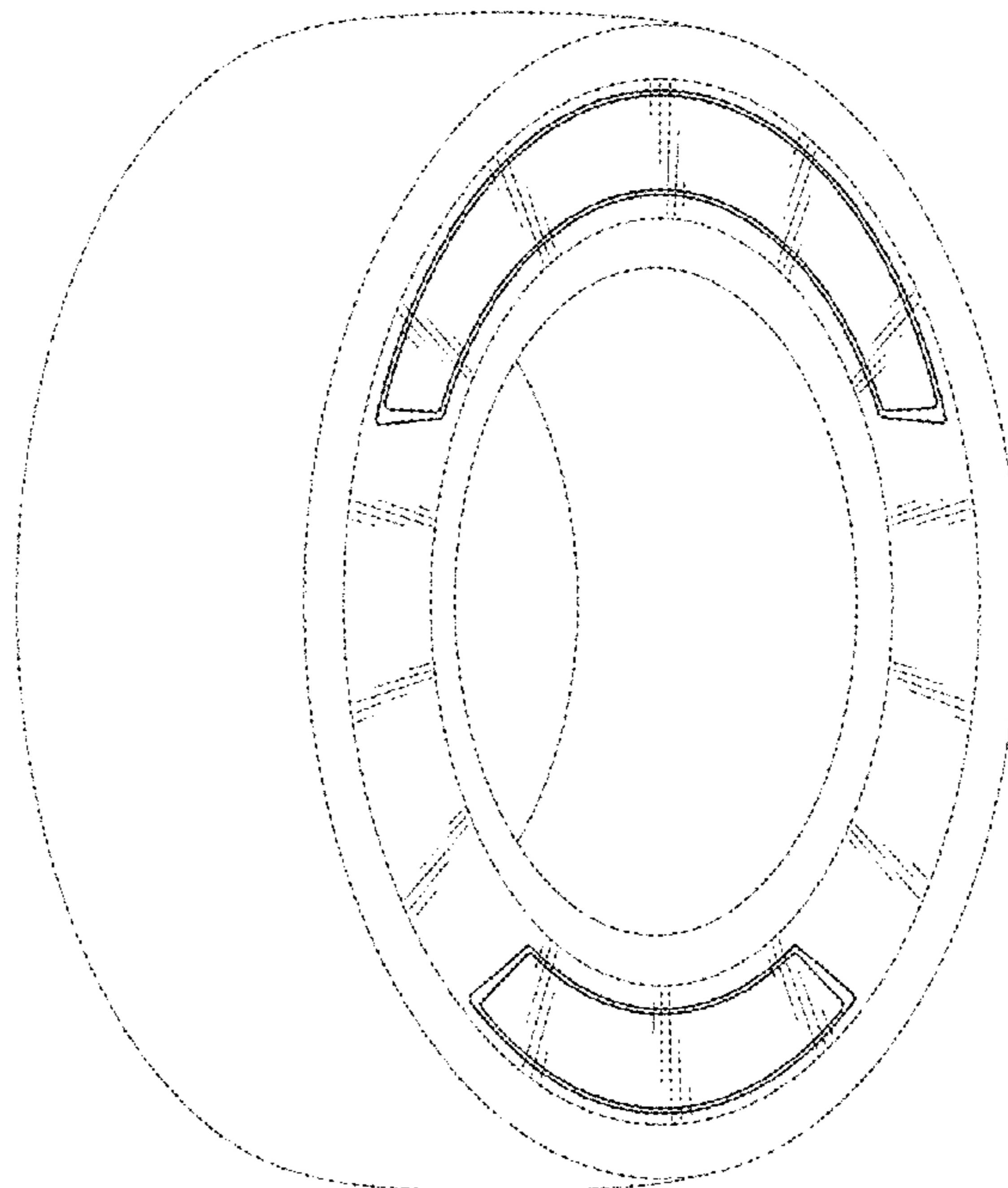
FIG. 1 is a side elevational view of a tire sidewall showing my new design;  
 FIG. 2 is an enlarged fragmentary view of the upper quadrant of FIG. 1;  
 FIG. 3 is an enlarged fragmentary view of the lower quadrant of FIG. 1; and,  
 FIG. 4 is a perspective view thereof.  
 The broken lines defining the tire tread and inner bead represent unclaimed environmental subject matter; the broken lines immediately adjacent the solid line showing the tire sidewall represent the boundaries of the claimed design but form no part thereof.

**1 Claim, 4 Drawing Sheets**

(56) **References Cited**

U.S. PATENT DOCUMENTS

D186,095 S *	9/1959	Balmer, Jr. ....	D12/605
4,343,342 A *	8/1982	McDonald .....	D12/605
D270,723 S *	9/1983	McDonald .....	D12/605
D503,146 S	3/2005	Maxwell et al.	
D540,250 S	4/2007	Shondel	
D542,219 S	5/2007	Shondel et al.	
D543,496 S	5/2007	Shondel et al.	
D543,499 S	5/2007	Shondel	
D543,932 S	6/2007	Shondel	
D547,261 S	7/2007	Shondel et al.	



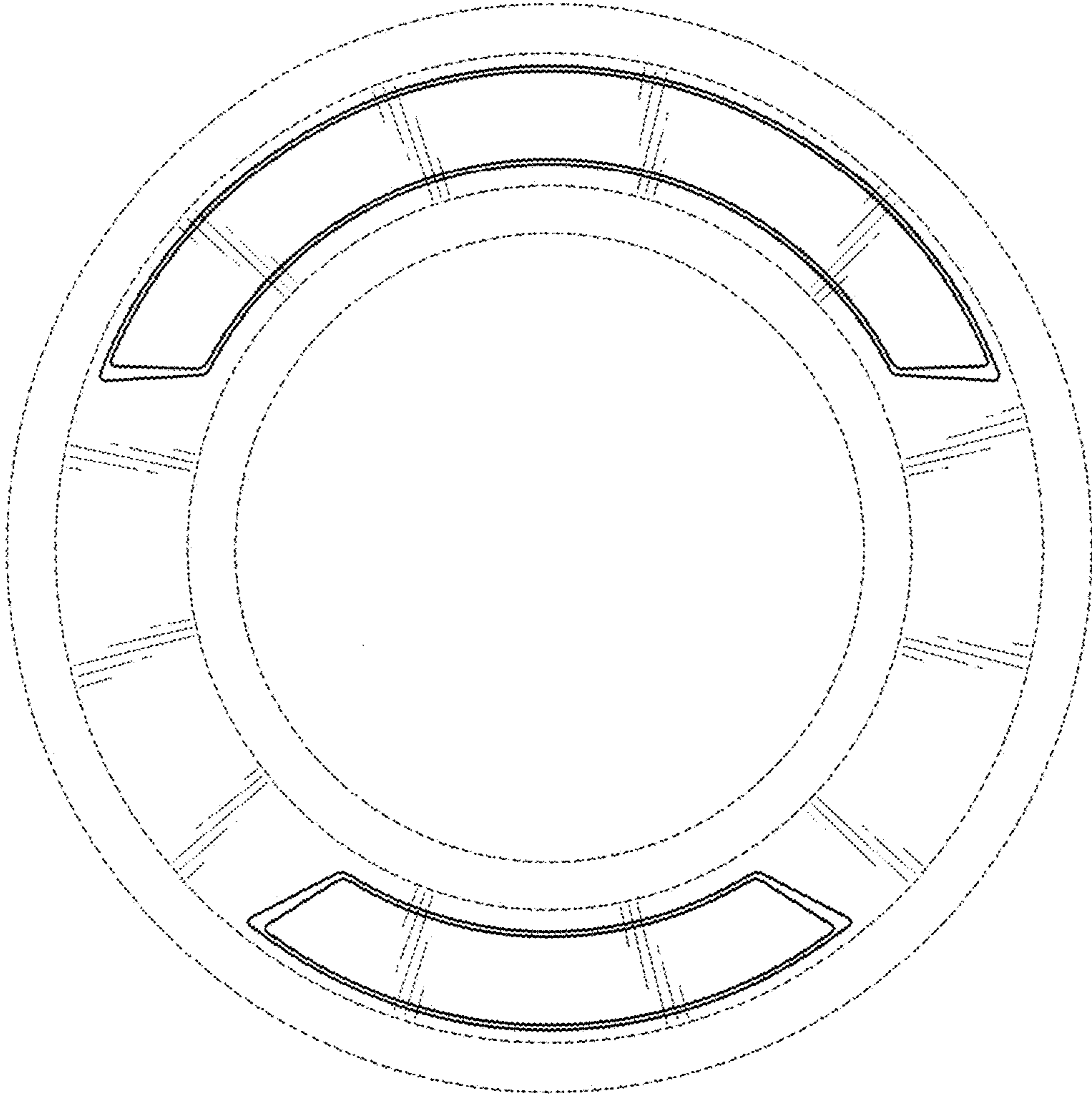


FIG-1

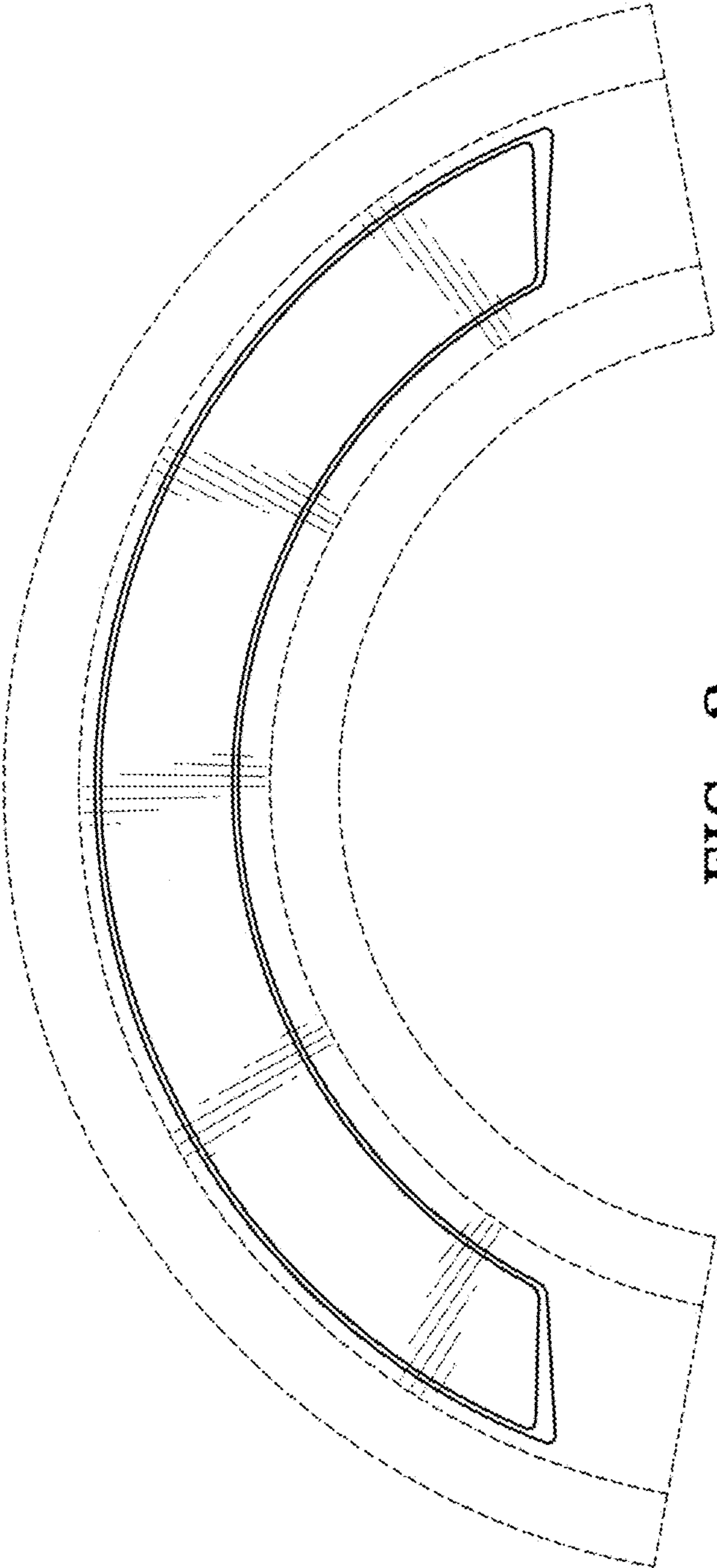


FIG-2

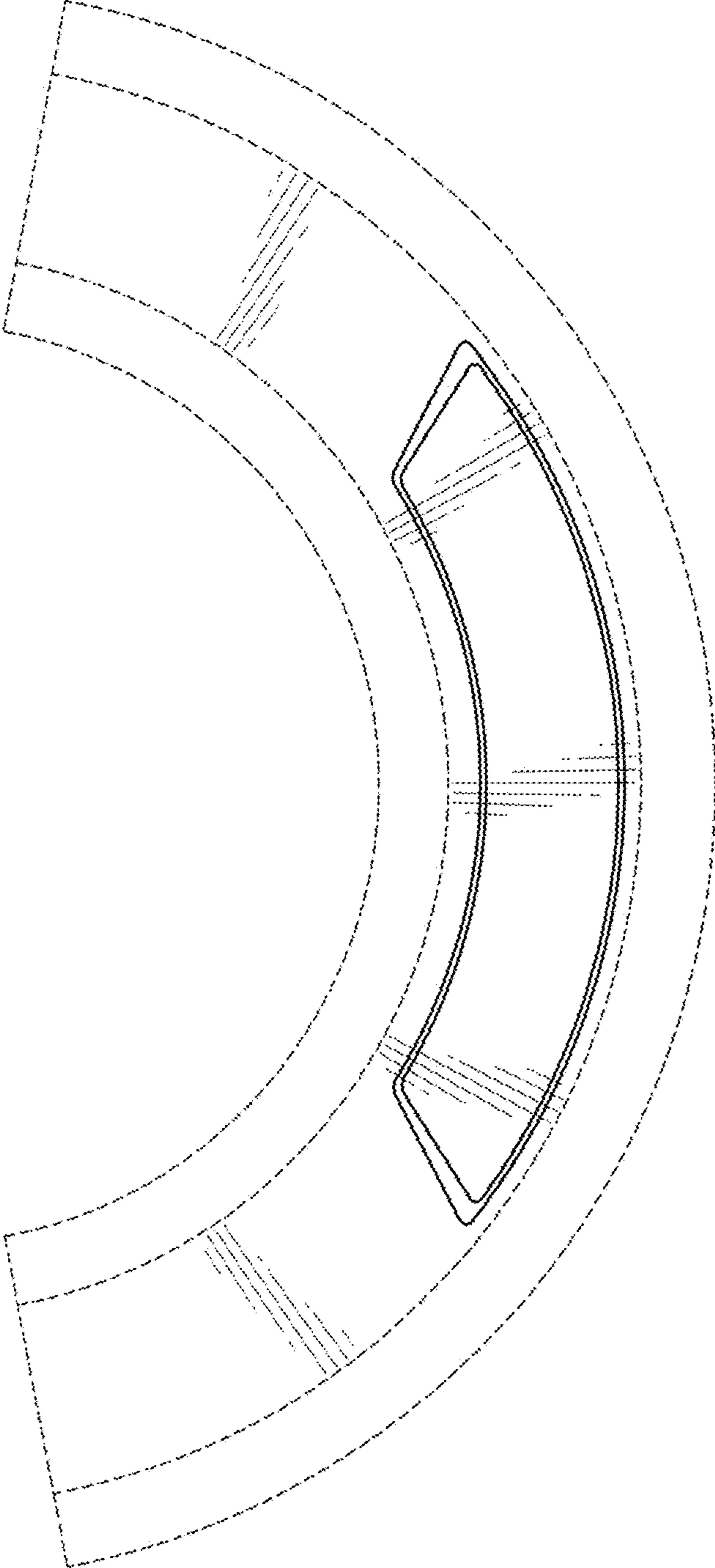


FIG-3

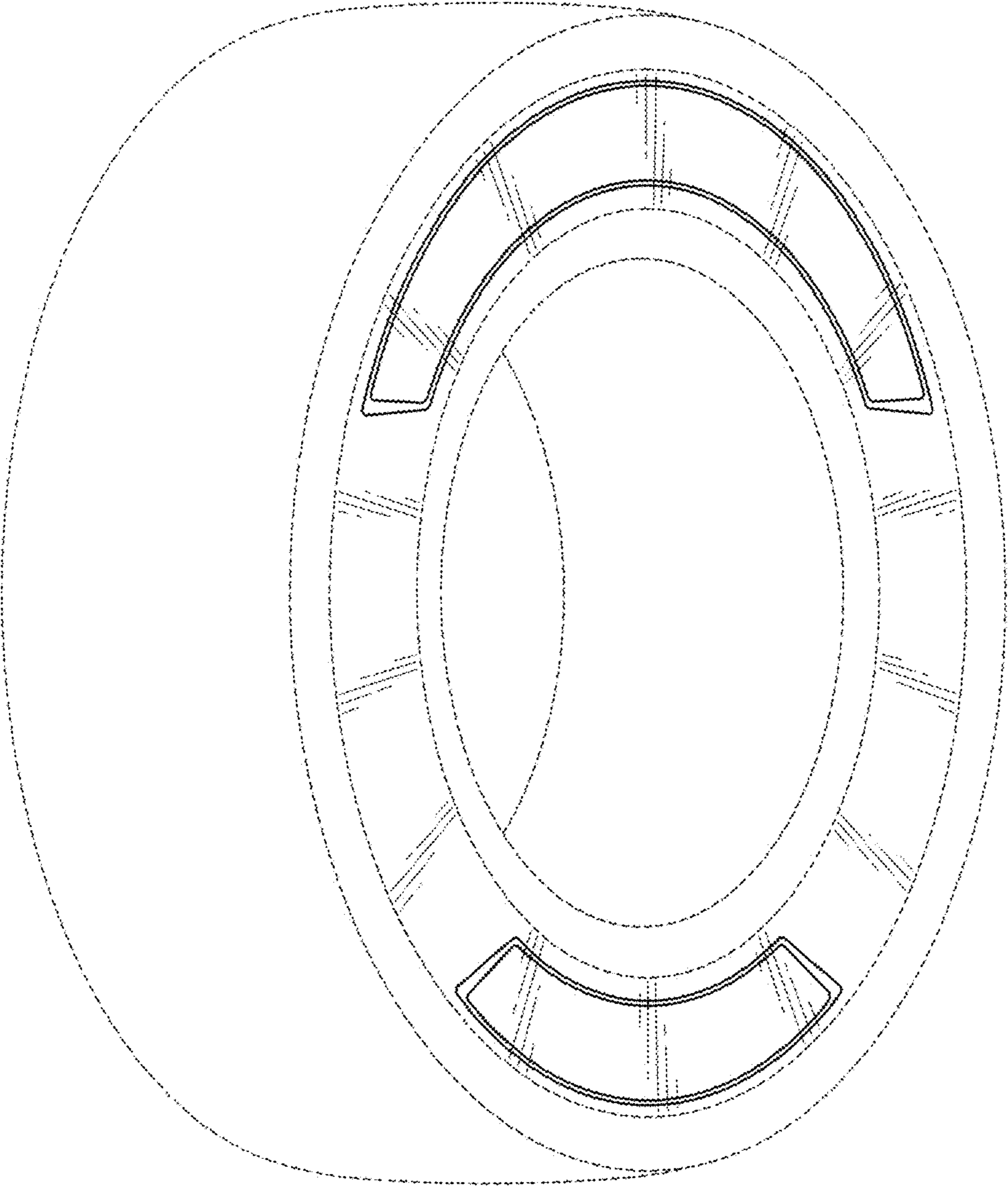


FIG-4