



US00D726645S

(12) **United States Design Patent**
Scheifele

(10) **Patent No.:** **US D726,645 S**
(45) **Date of Patent:** **** Apr. 14, 2015**

- (54) **TIRE SIDEWALL**
- (71) Applicant: **Bridgestone Americas Tire Operations, LLC, Nashville, TN (US)**
- (72) Inventor: **Kevin E. Scheifele, Atwater, OH (US)**
- (73) Assignee: **Bridgestone Americas Tire Operations, LLC TN (US)**
- (**) Term: **14 Years**
- (21) Appl. No.: **29/441,737**

- D386,136 S 11/1997 Ratliff, Jr.
- D386,455 S 11/1997 Clementz et al.
- D387,313 S 12/1997 Cross
- D388,041 S 12/1997 Cross
- D401,897 S 12/1998 Bohlen
- D403,634 S 1/1999 Ratliff, Jr.
- D405,036 S 2/1999 Pung, Jr.
- D407,356 S 3/1999 Cross
- D409,957 S 5/1999 Corner
- D409,958 S 5/1999 Gerresheim et al.
- D410,603 S 6/1999 Chandler et al.
- D412,476 S 8/1999 Clementz et al.
- D413,289 S 8/1999 Ratliff, Jr.
- D413,558 S 9/1999 Yanez
- D414,450 S 9/1999 Gerresheim et al.

(Continued)

- (22) Filed: **Jan. 9, 2013**
- (51) **LOC (10) Cl.** **12-15**
- (52) **U.S. Cl.**
USPC **D12/605**
- (58) **Field of Classification Search**
CPC B60C 13/00
USPC D12/500, 605; D7/588, 396.4, 396.5;
152/209.8, 209.12, 517, 523, 524,
152/DIG. 12
See application file for complete search history.

FOREIGN PATENT DOCUMENTS

- JP 1240841 5/2005
- JP 1367363 8/2009
- JP 1349866 3/2010

Primary Examiner — Robert M Spear
(74) *Attorney, Agent, or Firm* — Shaun J. Fox

(57) **CLAIM**

The ornamental design for a tire sidewall, as shown and described.

(56) **References Cited**

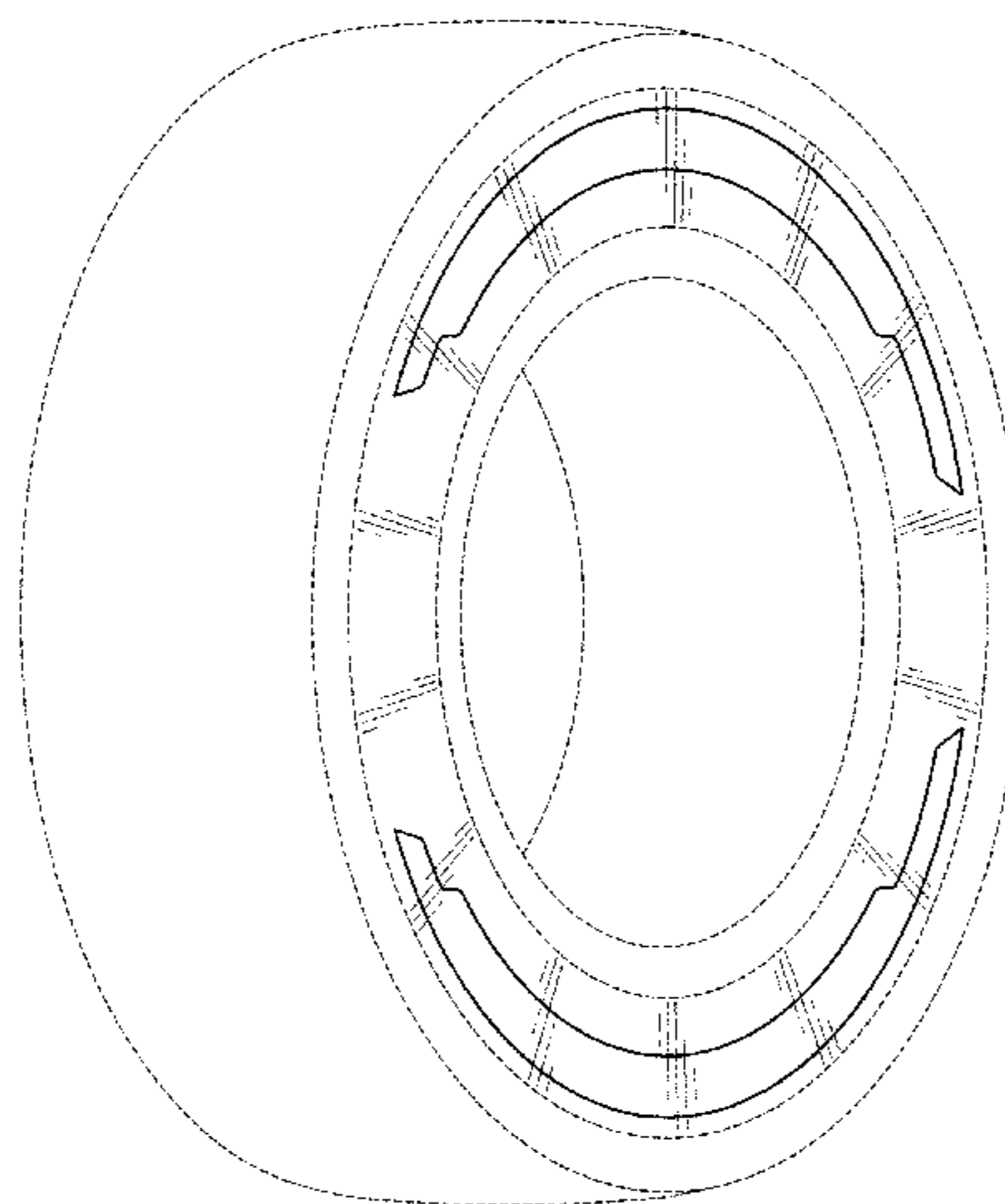
U.S. PATENT DOCUMENTS

- D186,095 S * 9/1959 Balmer, Jr. D12/605
- 4,343,342 A * 8/1982 McDonald D12/605
- D270,723 S * 9/1983 McDonald D12/605
- D355,903 S 2/1995 Pollack et al.
- D359,716 S 6/1995 Lagnier
- D362,223 S 9/1995 Attinello et al.
- D367,456 S 2/1996 Scarpitti et al.
- D367,836 S 3/1996 Scarpitti et al.
- D369,769 S 5/1996 Attinello et al.
- D373,751 S 9/1996 Barrese
- D378,811 S 4/1997 Attinello et al.
- D379,167 S 5/1997 Attinello et al.
- D379,168 S 5/1997 Ratliff, Jr.
- D379,446 S 5/1997 Hutson et al.
- D380,718 S 7/1997 Ratliff, Jr.
- D385,834 S 11/1997 Ratliff, Jr.

DESCRIPTION

FIG. 1 is a side elevational view of a tire sidewall showing my new design;
 FIG. 2 is an enlarged fragmentary view of the upper quadrant of FIG. 1;
 FIG. 3 is an enlarged fragmentary view of the lower quadrant of FIG. 1; and,
 FIG. 4 is a perspective view thereof.
 The broken lines defining the tire tread and inner bead represent unclaimed environmental subject matter; the broken lines immediately adjacent the solid line showing of the tire sidewall represent the boundaries of the claimed design but form no part thereof.

1 Claim, 4 Drawing Sheets



(56)

References Cited

U.S. PATENT DOCUMENTS

D414,728 S	10/1999	Gerresheim et al.	D552,536 S	10/2007	Shondel	
D415,456 S	10/1999	Yanez	D552,537 S	10/2007	Franks et al.	
D415,724 S	10/1999	Johnson	D553,076 S	10/2007	Miyasaka	
D420,957 S	2/2000	Yanez	D553,560 S	10/2007	Dixon	
D423,997 S	5/2000	Yanez	D554,057 S	10/2007	Brainerd, II et al.	
D424,484 S	5/2000	Mulier	D555,583 S	11/2007	Itoi	
D430,518 S	9/2000	Baker	D556,127 S	11/2007	Iwabuchi	
D432,060 S	10/2000	Baker	D557,202 S	12/2007	Shondel	
D436,332 S	1/2001	Yanez	D558,138 S	12/2007	Shondel	
D442,128 S	5/2001	Allison	D559,172 S	1/2008	Umstot et al.	
D447,449 S	9/2001	Guspodin	D560,601 S	1/2008	Lo	
D449,576 S	10/2001	Kajikawa	D561,089 S	2/2008	Maxwell	
D449,803 S	10/2001	Guspodin et al.	D563,310 S	3/2008	Shondel	
D450,021 S	11/2001	Kemp, Jr.	D563,311 S	3/2008	Brainerd, II et al.	
D450,034 S	11/2001	Kajikawa	D563,312 S	3/2008	Brainerd, II et al.	
D450,274 S	11/2001	Ratliff, Jr. et al.	D567,169 S	4/2008	Maxwell et al.	
D452,203 S	12/2001	Kajikawa	D568,235 S	5/2008	Dixon	
D454,815 S	3/2002	Guspodin et al.	D568,236 S	5/2008	Holden et al.	
D455,682 S	4/2002	Hutz et al.	D568,806 S	5/2008	Dixon et al.	
D457,130 S	5/2002	Ratliff, Jr. et al.	D569,337 S	5/2008	Iwabuchi	
D477,274 S	7/2003	Leynaert et al.	D569,338 S	5/2008	Shondel	
D477,567 S	7/2003	Leynaert et al.	D569,791 S	5/2008	Iwabuchi et al.	
D477,810 S	7/2003	Budich et al.	D569,792 S	5/2008	Holden et al.	
D479,190 S	9/2003	Maxwell	D569,793 S	5/2008	Dixon	
D480,047 S	9/2003	Kajikawa	D571,287 S	6/2008	Dixon	
D481,988 S	11/2003	Wachendorf	D571,715 S	6/2008	Ashton et al.	
D483,010 S	12/2003	Maxwell	D574,320 S	8/2008	Dixon	
D483,324 S	12/2003	Kemp, Jr.	D574,766 S	8/2008	Iwabuchi et al.	
D484,849 S	1/2004	Kunos et al.	D575,222 S	8/2008	Fujita	
D485,033 S	1/2004	Colburn et al.	D575,727 S	8/2008	Shondel et al.	
D488,124 S	4/2004	Kunos et al.	D575,728 S	8/2008	Harvey	
D491,136 S	6/2004	Zanzig et al.	D577,329 S	9/2008	Umstot et al.	
D492,648 S	7/2004	Maxwell et al.	D577,330 S	9/2008	Miyasaka	
D495,294 S	8/2004	Ochi et al.	D577,331 S	9/2008	Ochi	
D496,510 S	9/2004	Colburn et al.	D577,661 S	9/2008	Umstot et al.	
D496,766 S	9/2004	Colburn et al.	D577,662 S	9/2008	Umstot et al.	
D497,593 S	10/2004	Ratliff, Jr. et al.	D577,663 S	9/2008	Klein	
D500,013 S	12/2004	Maxwell et al.	D581,352 S	11/2008	Harvey	
D500,473 S	1/2005	Boggs et al.	D581,353 S	11/2008	Harvey	
D500,474 S	1/2005	Maxwell et al.	D581,354 S	11/2008	Harvey	
D503,146 S	3/2005	Maxwell et al.	D583,313 S	12/2008	Harvey	
D504,867 S	5/2005	Maxwell et al.	D585,016 S	1/2009	Weimer et al.	
D506,435 S	6/2005	Maxwell et al.	D585,017 S	1/2009	Shondel	
D517,003 S	3/2006	Shondel	D585,018 S	1/2009	Shondel	
D519,916 S	5/2006	Poling et al.	D588,529 S	3/2009	Reese et al.	
D539,729 S	4/2007	Maxwell	D588,530 S	3/2009	Shondel	
D540,250 S	4/2007	Shondel	D588,531 S	3/2009	Maxwell	
D540,739 S	4/2007	Maxwell	D588,532 S	3/2009	Shondel	
D540,740 S	4/2007	Maxwell et al.	D588,533 S	3/2009	Shondel	
D541,210 S	4/2007	Maxwell et al.	D593,939 S	6/2009	Maxwell	
D541,211 S	4/2007	Shondel et al.	D595,643 S	7/2009	Ochi	
D541,212 S	4/2007	Smith et al.	D596,116 S	7/2009	Fujita	
D542,218 S	5/2007	Maxwell	D596,118 S	7/2009	Frappart	
D542,219 S	5/2007	Shondel et al.	D596,119 S	7/2009	Fujita	
D542,220 S	5/2007	Shondel et al.	D597,024 S	7/2009	Ochi	
D543,496 S	5/2007	Shondel et al.	D597,025 S	7/2009	Fujita	
D543,497 S	5/2007	Maxwell et al.	D597,480 S	8/2009	Umstot et al.	
D543,498 S	5/2007	Umstot et al.	D598,842 S	8/2009	Rittweger	
D543,499 S	5/2007	Shondel	D598,843 S	8/2009	Maxwell	
D543,932 S	6/2007	Shondel	D599,284 S	9/2009	Misumi	
D543,933 S	6/2007	Shondel	D601,489 S	10/2009	Lundgren	
D544,435 S	6/2007	Kindig	D605,105 S	12/2009	Klein	
D545,267 S	6/2007	Umstot	D605,583 S	12/2009	Scheifele	
D546,273 S	7/2007	Dumigan	D606,013 S	12/2009	Reese et al.	
D547,261 S	7/2007	Shondel et al.	D606,016 S *	12/2009	Scheifele D12/605	
D548,681 S	8/2007	Becker et al.	D606,488 S	12/2009	Scheifele	
D549,165 S	8/2007	Shondel et al.	D606,933 S	12/2009	Palma et al.	
D549,167 S	8/2007	Iwabuchi	D608,273 S	1/2010	Scheifele et al.	
D549,168 S	8/2007	Shondel et al.	D608,275 S	1/2010	Maxwell	
D550,149 S	9/2007	Shondel	D610,078 S *	2/2010	Behr et al. D12/605	
D550,150 S	9/2007	Shondel	D656,089 S *	3/2012	Miyazaki D12/605	
D550,151 S	9/2007	Maxwell	D662,465 S *	6/2012	Takano D12/605	
D552,535 S	10/2007	Smith	D665,337 S *	8/2012	Fontaine et al. D12/605	
			D684,111 S *	6/2013	Vandaele D12/605	
			D699,665 S *	2/2014	Maxwell et al. D12/605	

* cited by examiner

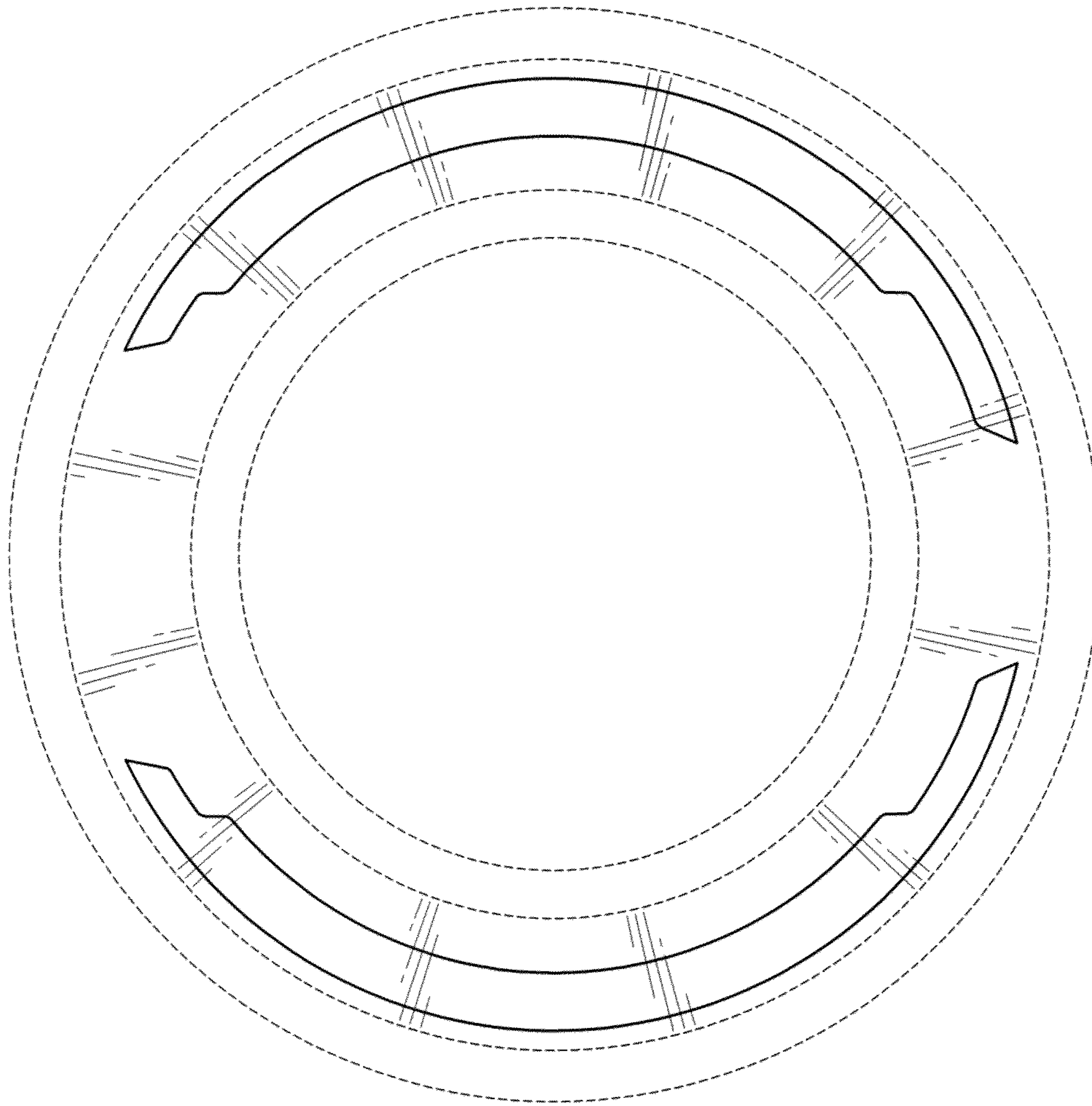


FIG-1

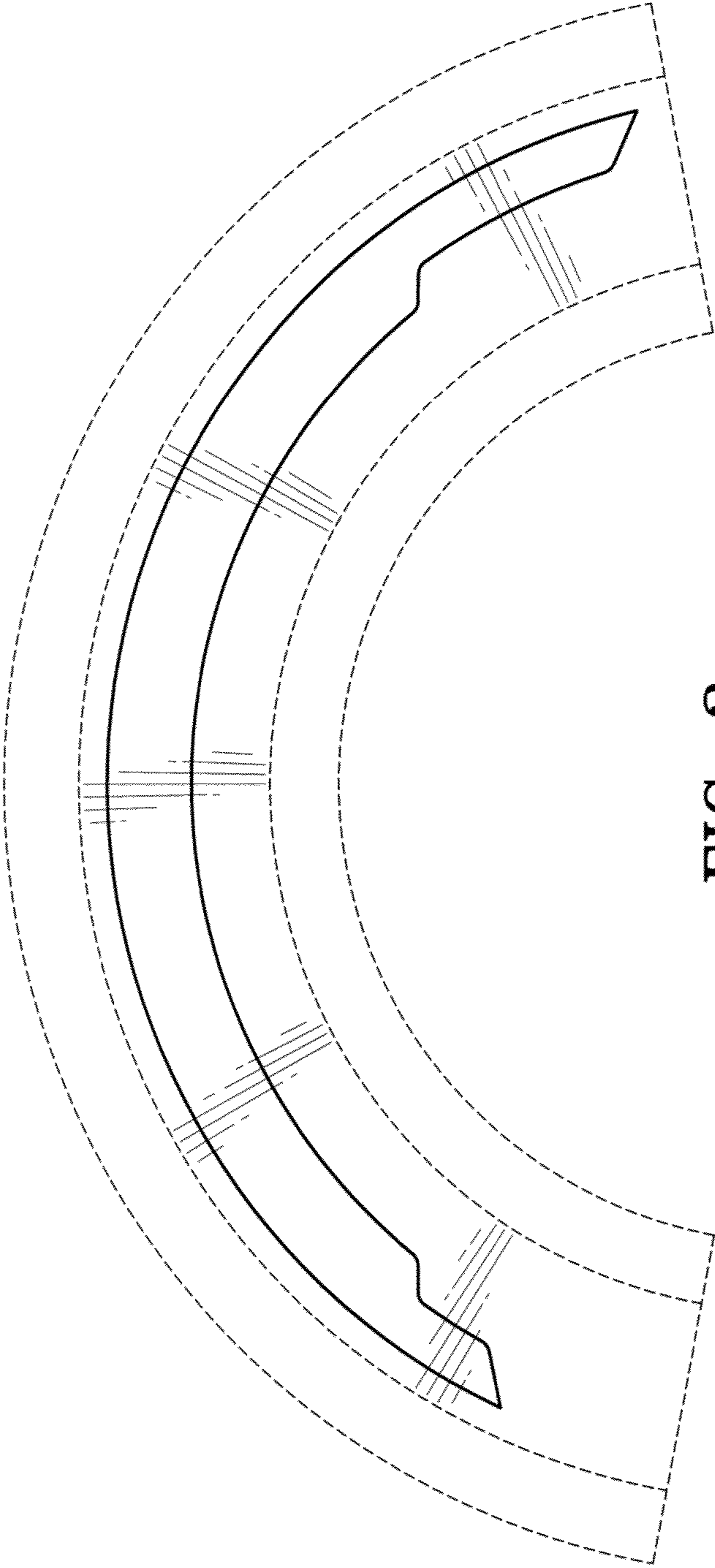


FIG-2

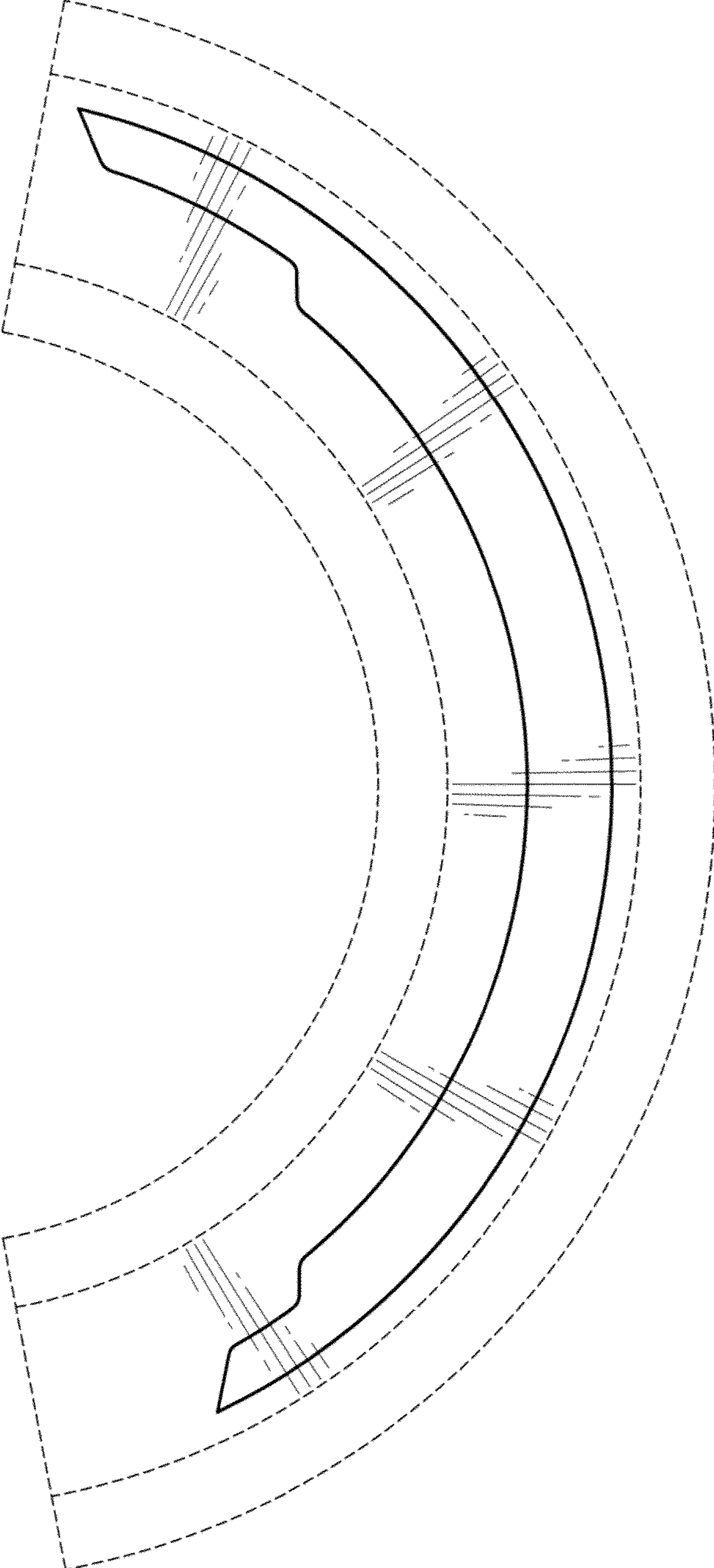


FIG-3

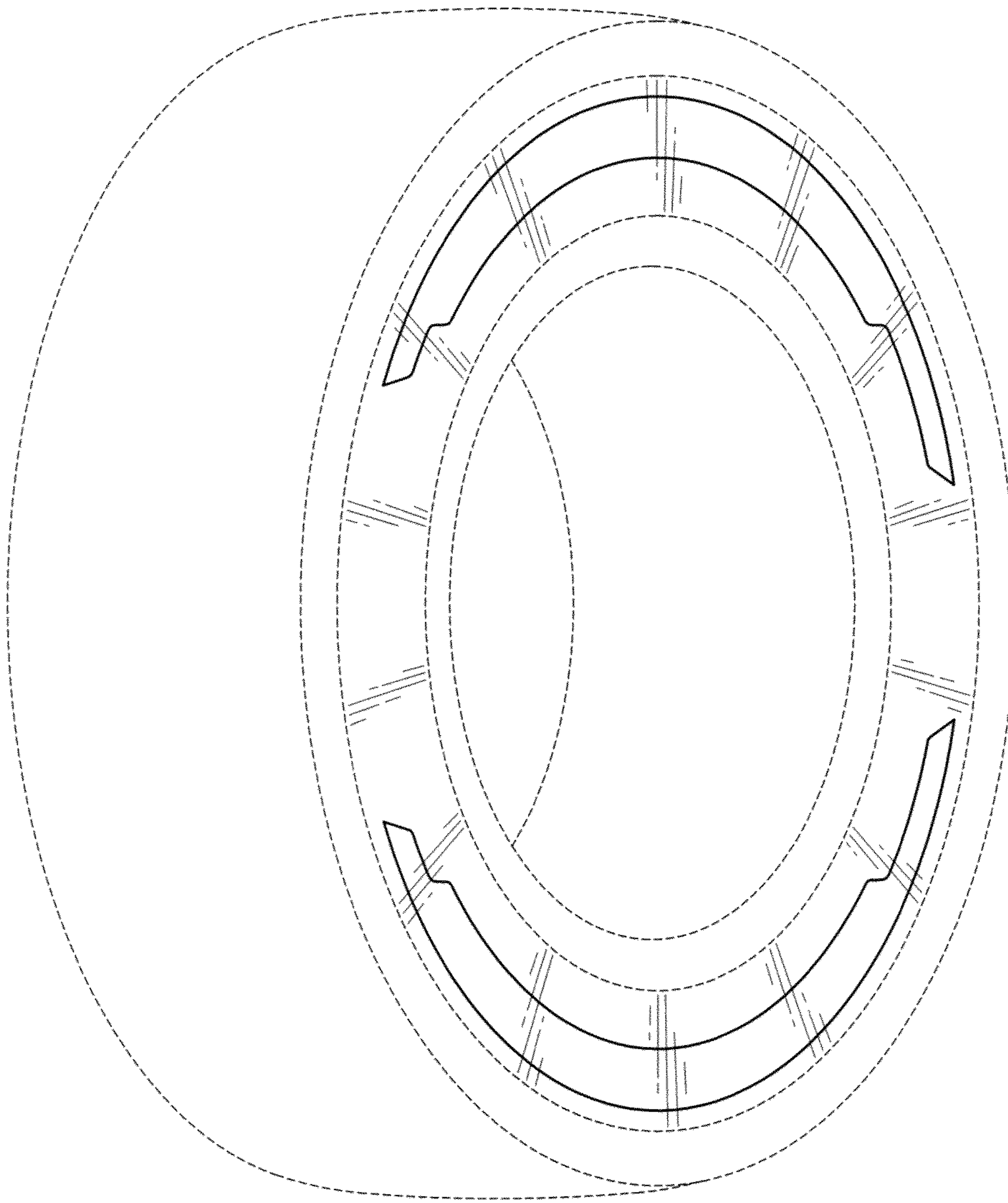


FIG-4