



US00D726640S

(12) **United States Design Patent**
Frey

(10) **Patent No.:** **US D726,640 S**
(45) **Date of Patent:** **** Apr. 14, 2015**

(54) **STORAGE RACK FOR HEADPHONES**

(71) Applicant: **Daimler AG**, Stuttgart (DE)

(72) Inventor: **Andre Frey**, Lake Forest, CA (US)

(73) Assignee: **Daimler AG**, Stuttgart (DE)

(**) Term: **14 Years**

(21) Appl. No.: **29/458,832**

(22) Filed: **Jun. 24, 2013**

D633,040 S 2/2011 Le et al.
D643,030 S * 8/2011 Cheng et al. D14/253
D652,830 S 1/2012 Nazar
D656,932 S 4/2012 Wikel
D682,772 S * 5/2013 Massaad D12/415
D718,296 S * 11/2014 Namminga et al. D14/253

* cited by examiner

Primary Examiner — Katrina A Betton

(74) *Attorney, Agent, or Firm* — Crowell & Moring LLP

(57) **CLAIM**

The ornamental design for a storage rack for headphones, as shown and described.

Related U.S. Application Data

(62) Division of application No. 29/393,298, filed on Jun. 2, 2011, now Pat. No. Des. 689,427.

(51) **LOC (10) Cl.** **12-16**

(52) **U.S. Cl.**
USPC **D12/415**

(58) **Field of Classification Search**
USPC D12/415, 416–420, 400, 191, 106, 195,
D12/345, 96, 99; 312/246; 296/37.1–37.8,
296/70, 24.1, 24.34, 97.1, 97.8; 224/311,
224/539, 281, 118.1; 160/370.21–370.23
See application file for complete search history.

(56) **References Cited**

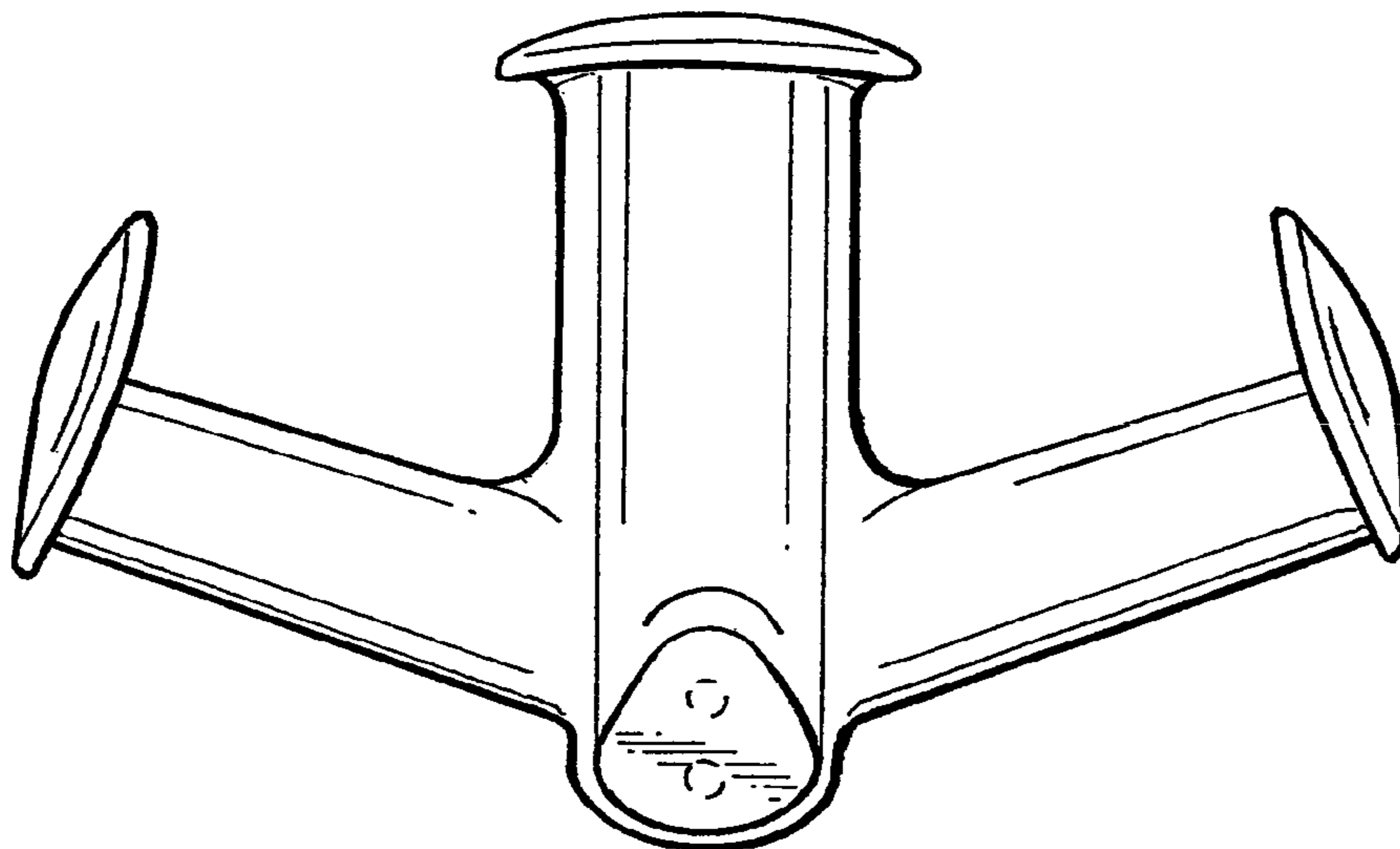
U.S. PATENT DOCUMENTS

D359,944 S 7/1995 Roberts et al.
D528,539 S * 9/2006 McClaude D14/253
D585,897 S 2/2009 Carnevali
D603,322 S * 11/2009 Nicieja D12/415

DESCRIPTION

FIG. 1 is a left, rear perspective view of the storage rack for headphones according to the design, the right, rear perspective view being mirror symmetrical;
FIG. 2 is a rear view thereof;
FIG. 3 is a front view thereof;
FIG. 4 is a left side view thereof, the right side view being mirror symmetrical;
FIG. 5 is a top view thereof;
FIG. 6 is a bottom view thereof;
FIG. 7 is a left, rear perspective view thereof showing a possible environment, the right, rear perspective view being mirror symmetrical; and,
FIG. 8 is a right, front perspective view thereof showing a possible environment, the left, front perspective view being mirror symmetrical.
The broken lines are for illustrative purposes only and form no part of the claimed design.

1 Claim, 5 Drawing Sheets



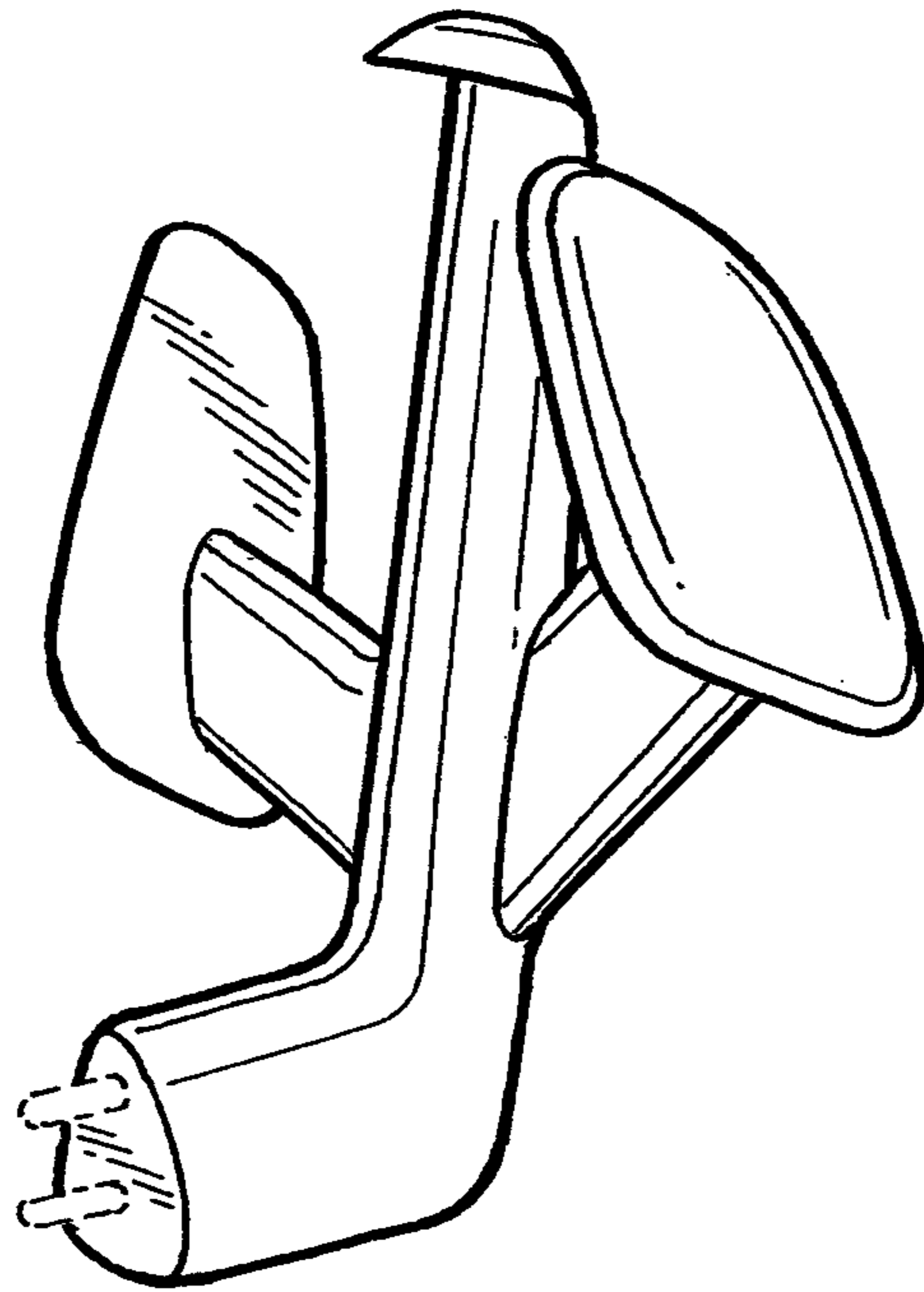


FIG. 1

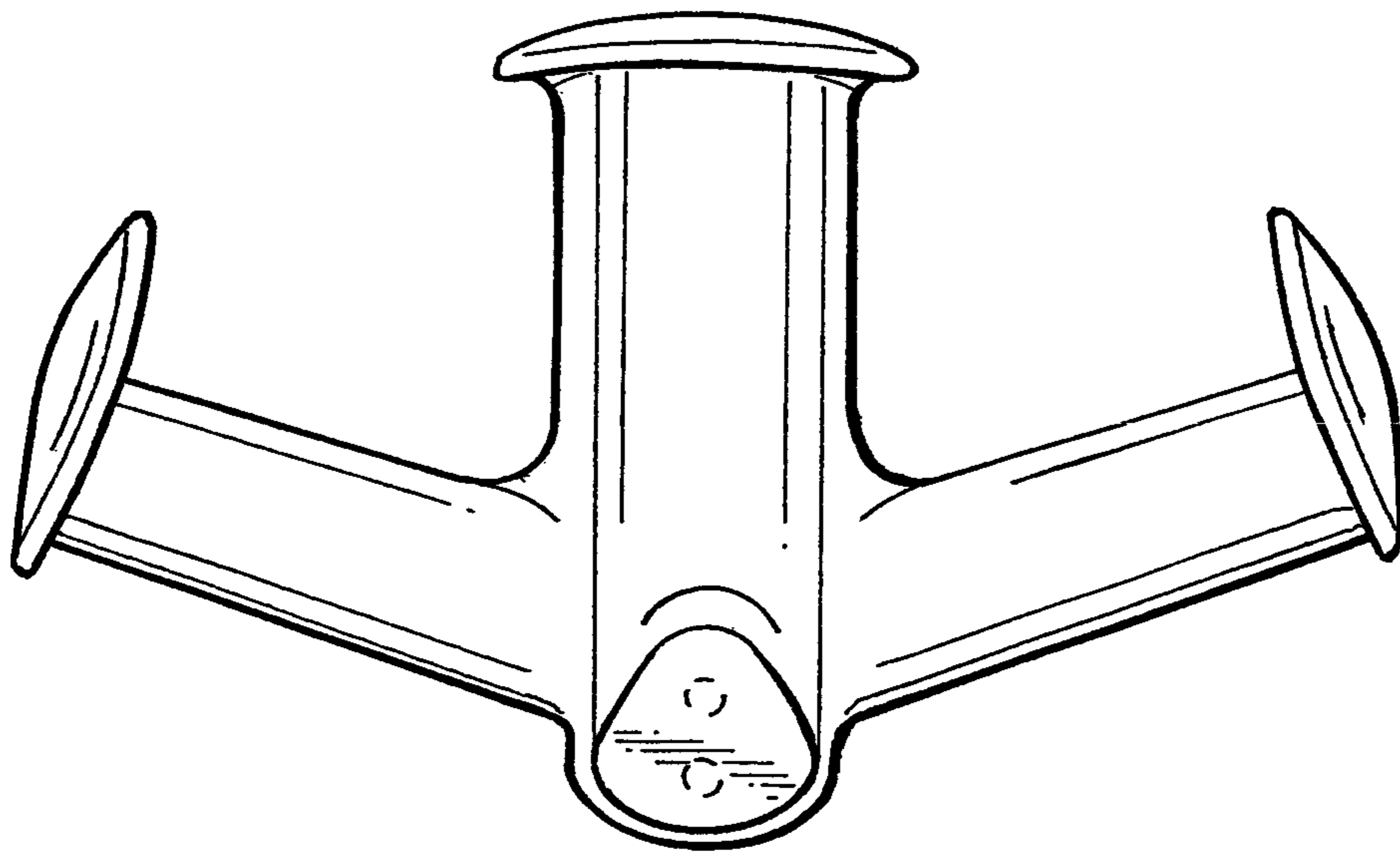


FIG. 2

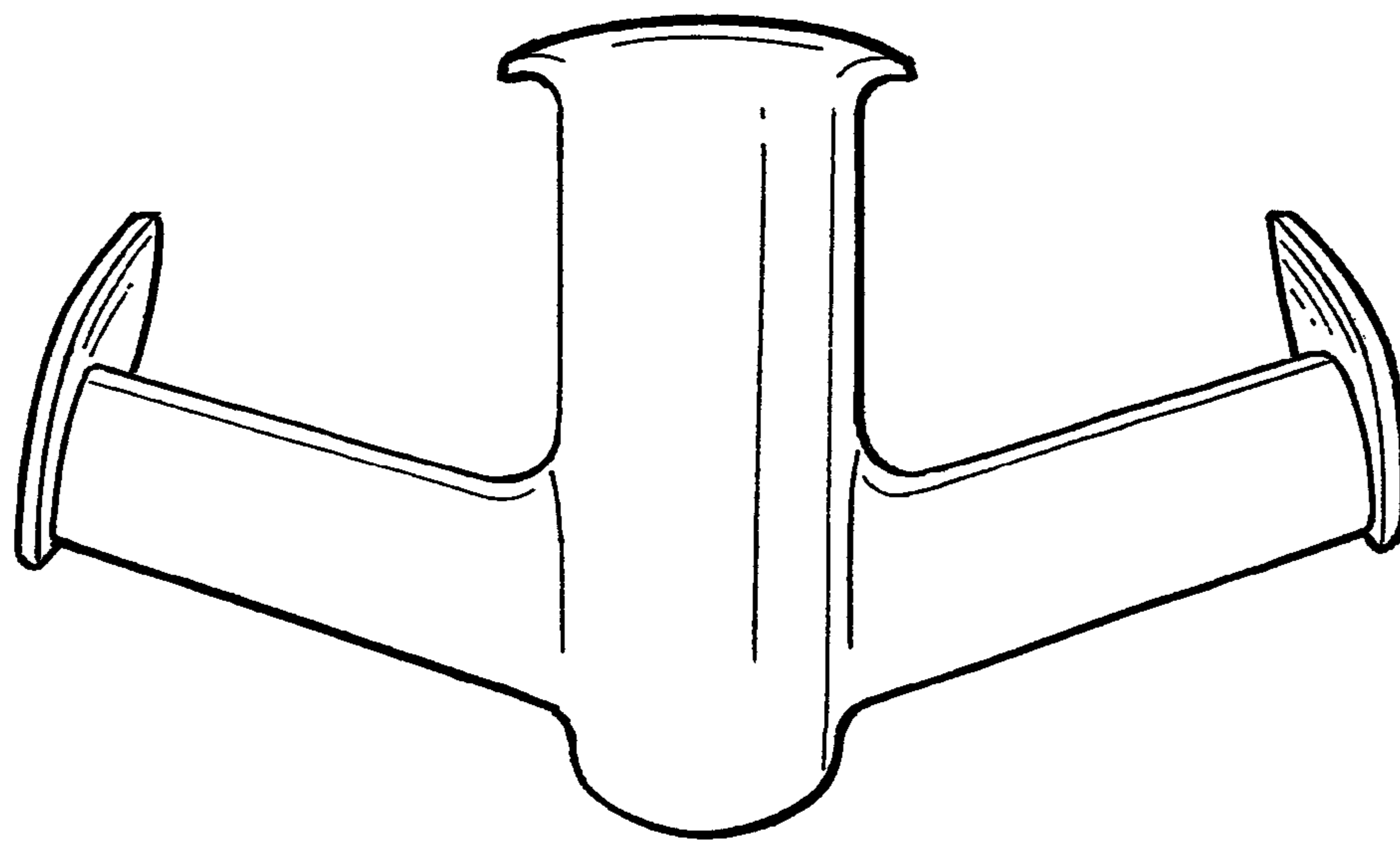


FIG. 3

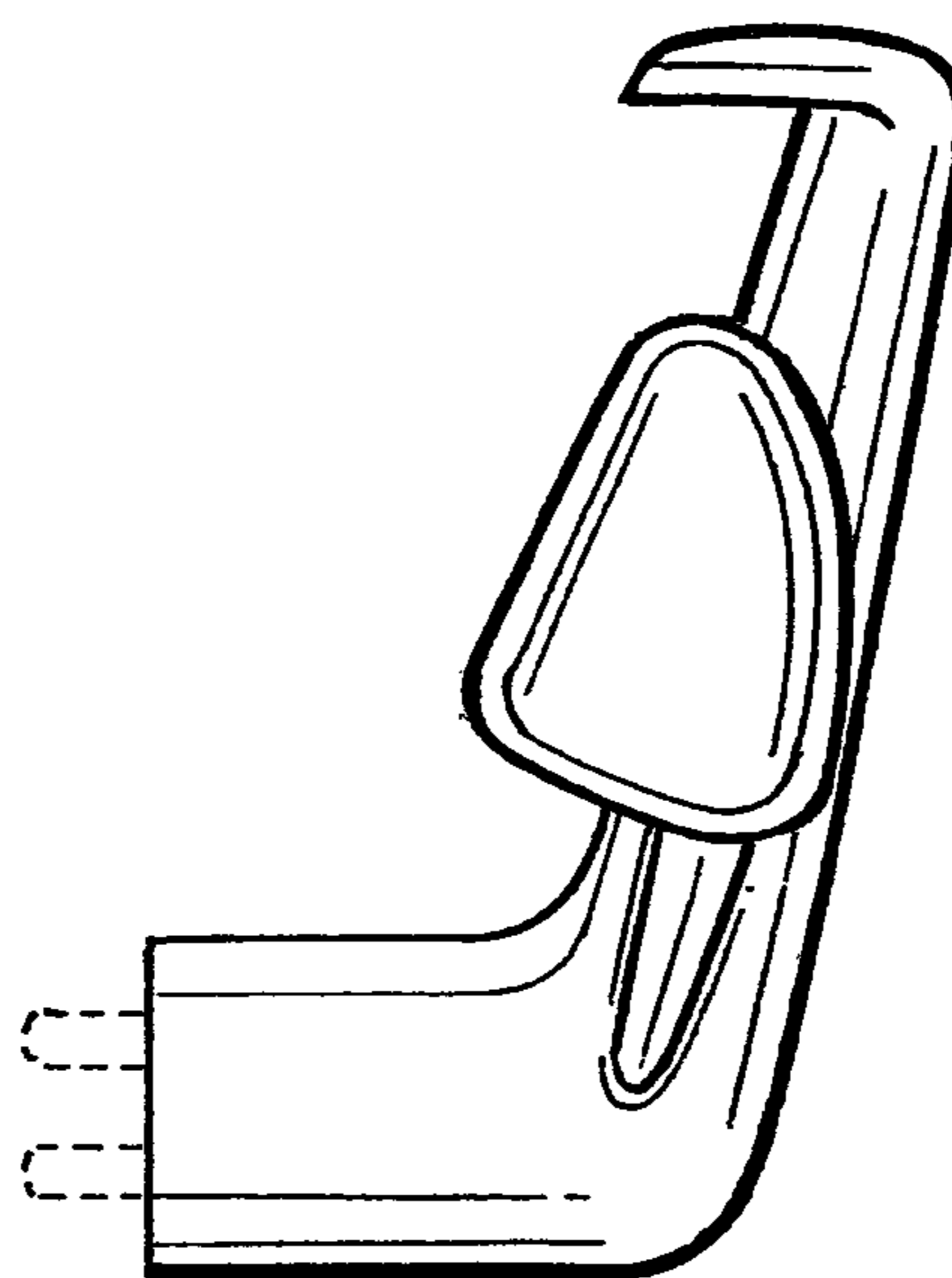


FIG. 4

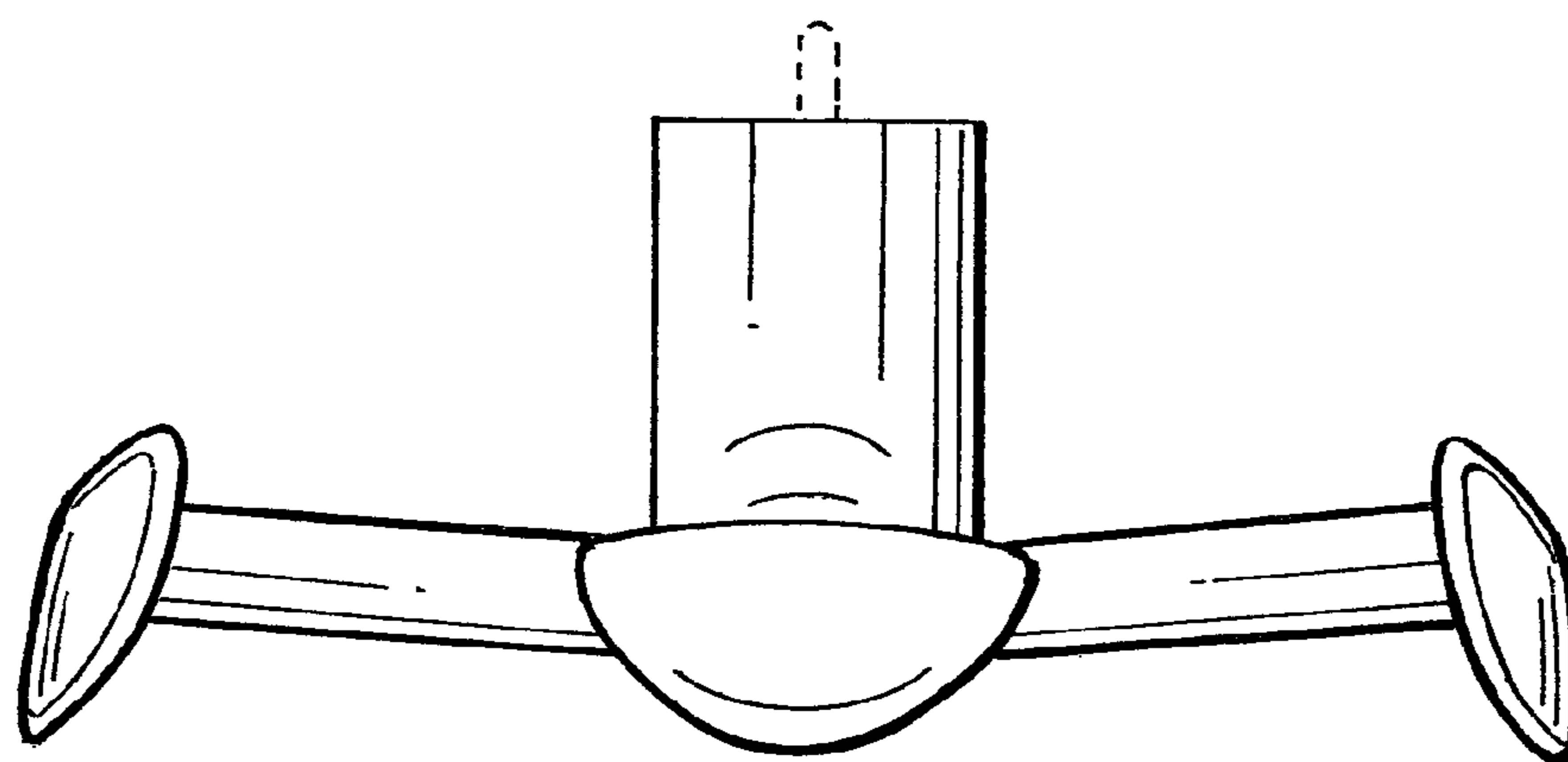


FIG. 5

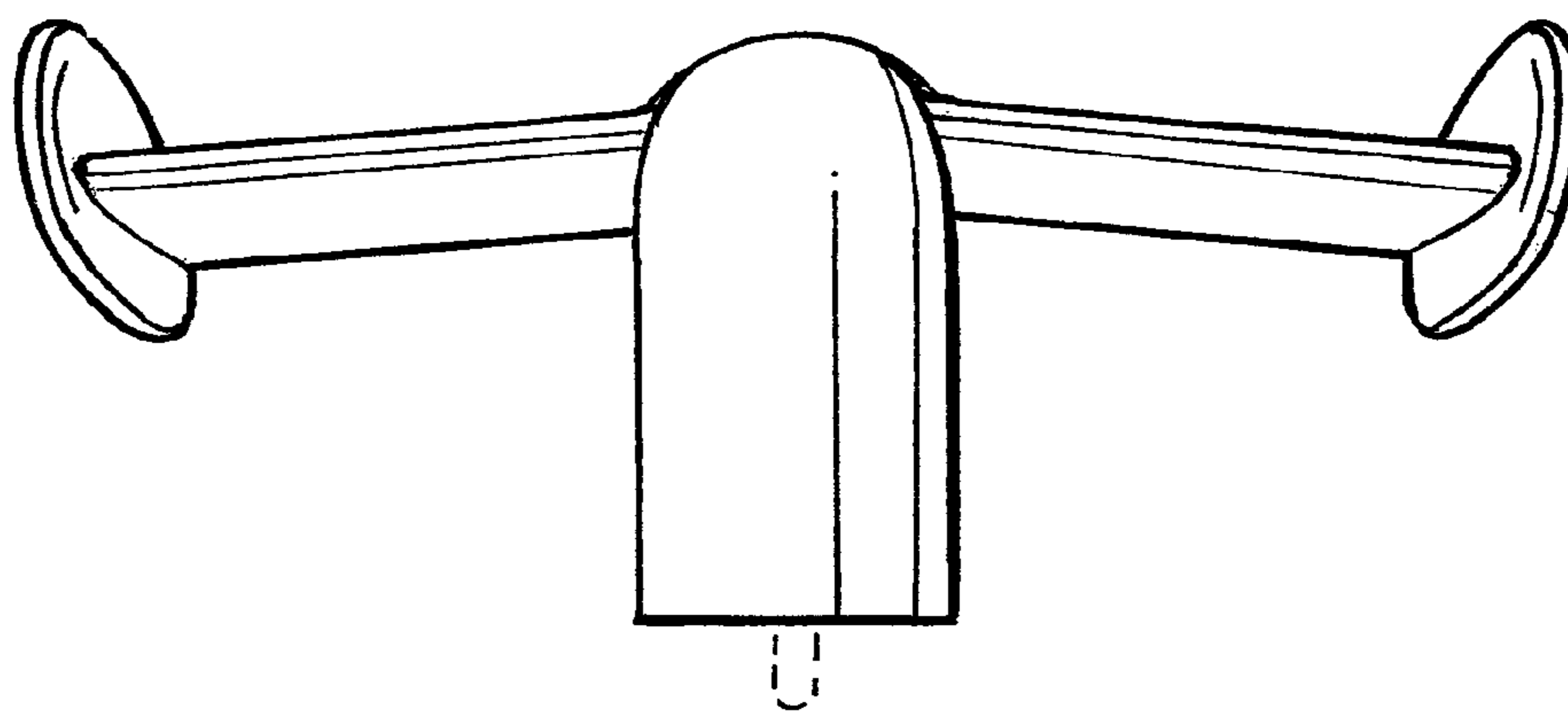


FIG. 6

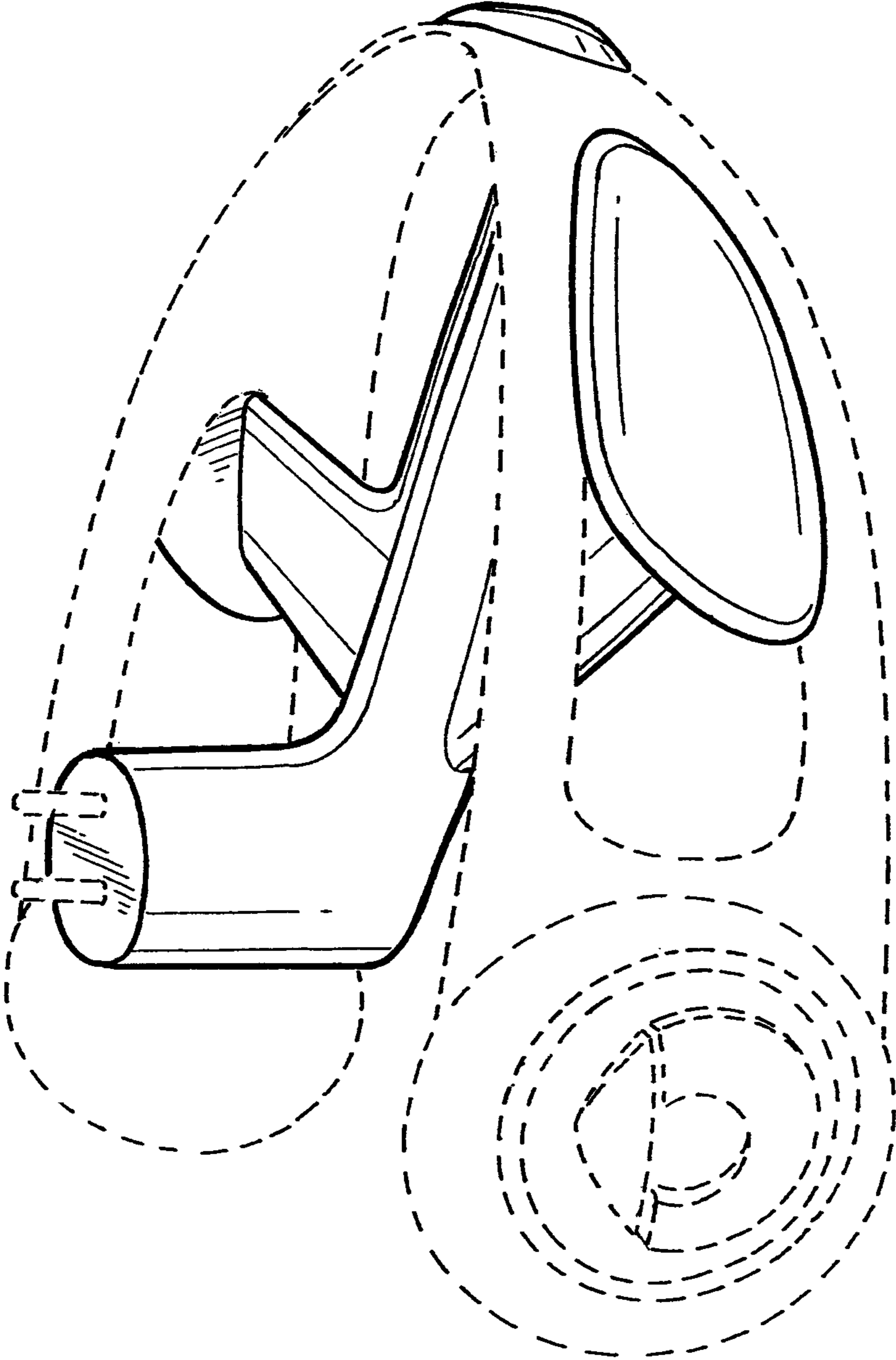


FIG. 7

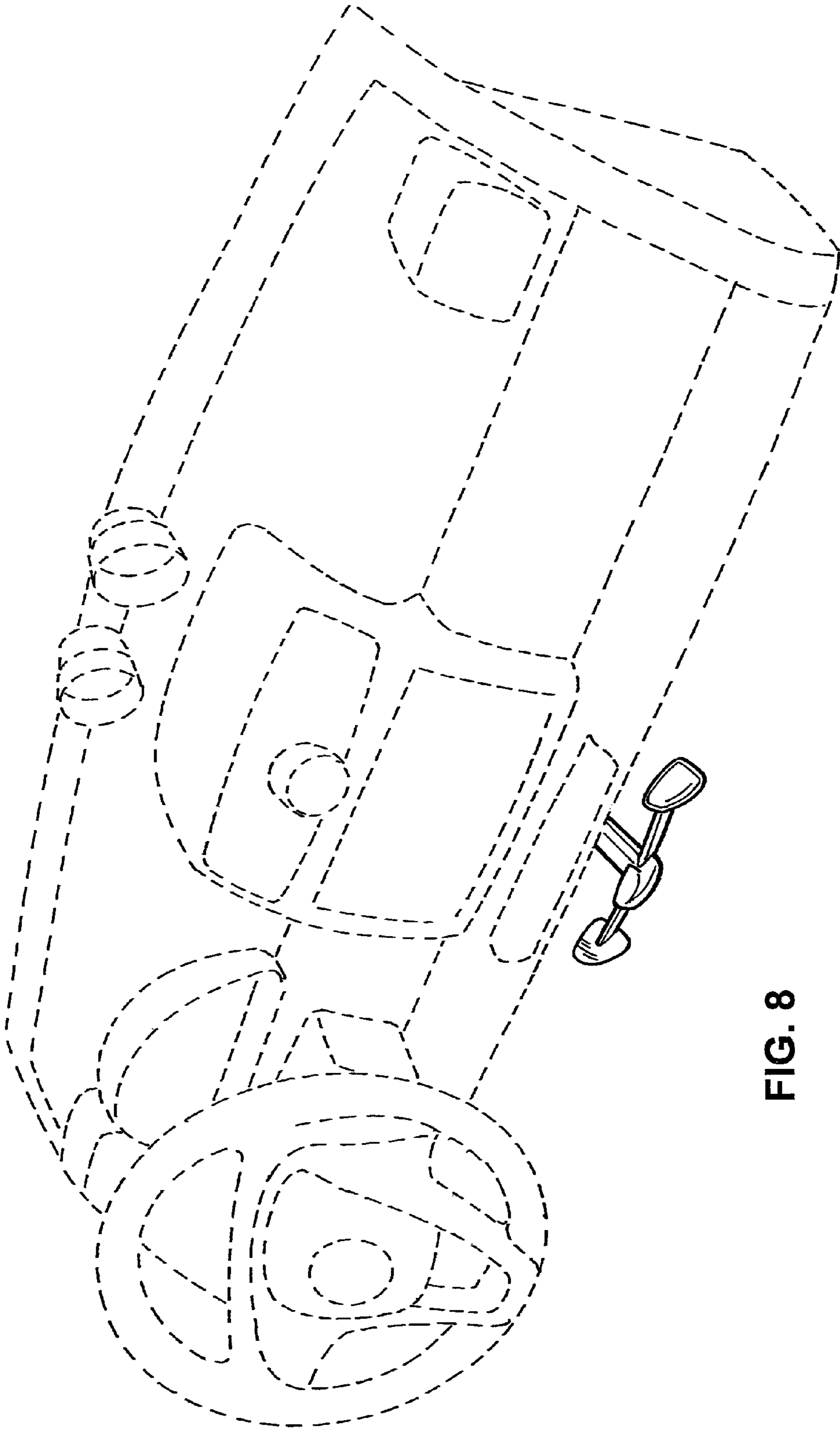


FIG. 8